



US00D457632S

(12) **United States Design Patent**  
**Kingston et al.**

(10) **Patent No.:** **US D457,632 S**

(45) **Date of Patent:** **\*\* May 21, 2002**

(54) **GAUGE HOUSING FOR A SPHYGMOMANOMETER**

D373,419 S \* 9/1996 Muramatsu et al. .... D24/165  
D443,362 S \* 6/2001 Storp ..... D24/165

(75) Inventors: **Ron Kingston**, Syracuse; **Scott Osiecki**, Skaneateles, both of NY (US)

\* cited by examiner

*Primary Examiner*—Stella Reid

(73) Assignee: **Welch Allyn, Inc.**, Skaneateles, NY (US)

(74) *Attorney, Agent, or Firm*—Wall Marjama & Bilinski LLP

(\*\*) Term: **14 Years**

(57) **CLAIM**

The ornamental design for a gauge housing for a sphygmomanometer, as shown and described.

(21) Appl. No.: **29/146,690**

**DESCRIPTION**

(22) Filed: **Aug. 14, 2001**

(51) **LOC (7) Cl.** ..... **24-01**

(52) **U.S. Cl.** ..... **D24/166**

(58) **Field of Search** ..... D24/165; 600/485, 600/490, 491, 498

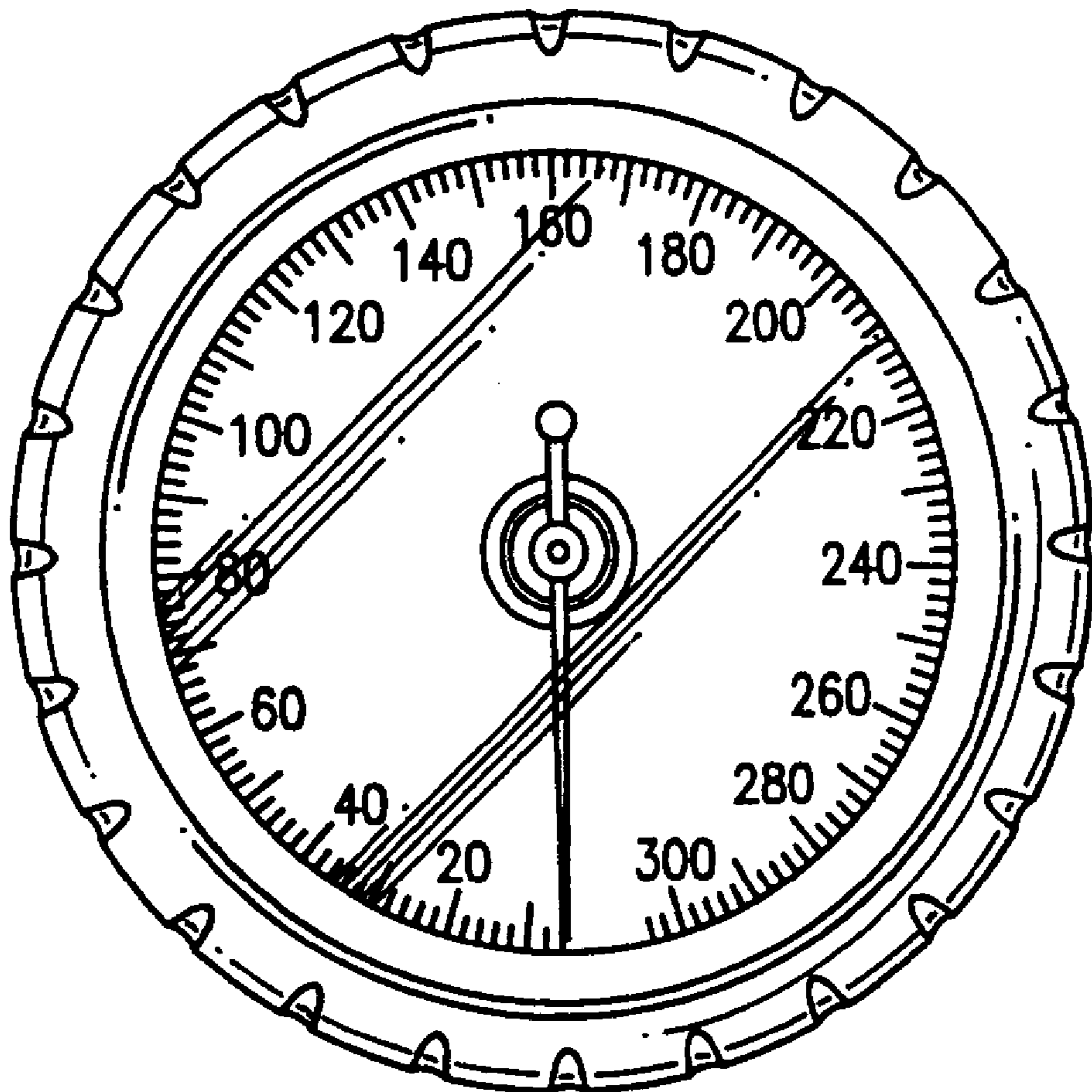
FIG. 1 is a top view of a gauge housing for a sphygmomanometer, illustrating our new Design; FIG. 2 is a right side elevation view thereof; FIG. 3 is a left side elevation view thereof; FIG. 4 is a front view thereof; FIG. 5 is a rear view thereof; and FIG. 6 is a bottom view thereof; and, FIG. 7 is a top view thereof, the broken line showing of the sleeve being for illustrative purposes only and forming no part of the claimed design.

(56) **References Cited**

**U.S. PATENT DOCUMENTS**

3,779,236 A \* 12/1973 Stewart ..... 600/498  
D248,164 S \* 6/1978 Bell et al. .... D24/166  
D260,035 S \* 7/1981 Berliner ..... D24/166  
D265,505 S \* 7/1982 Kaneda ..... D24/166

**1 Claim, 2 Drawing Sheets**



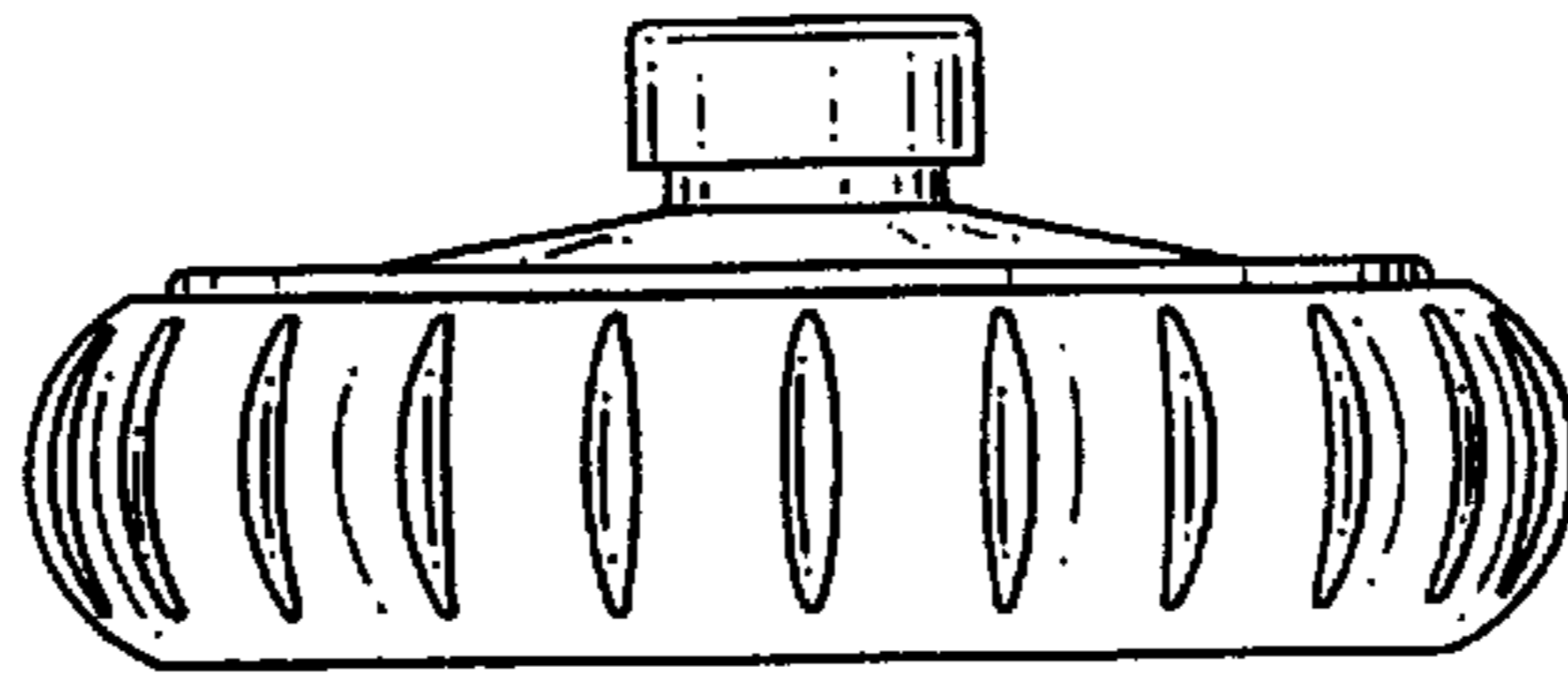


FIG. 4

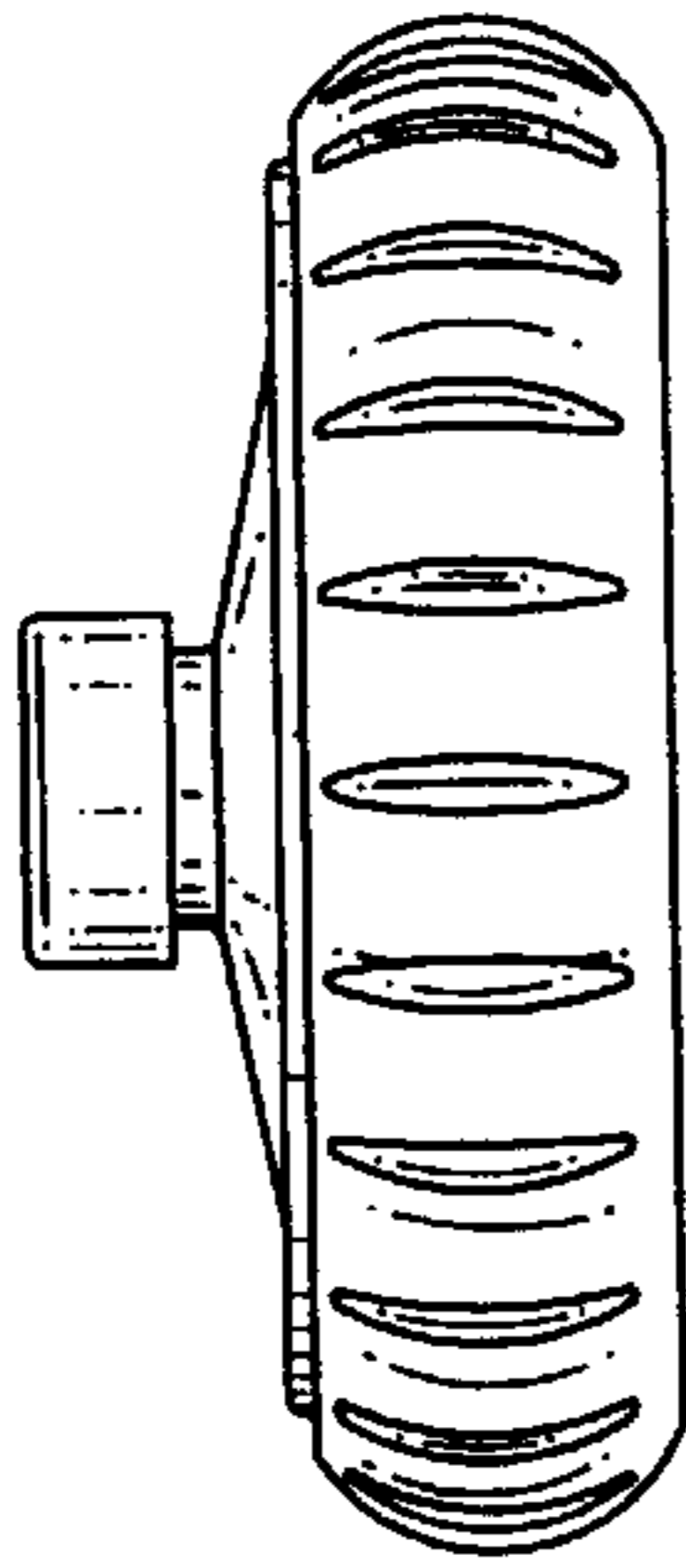


FIG. 3

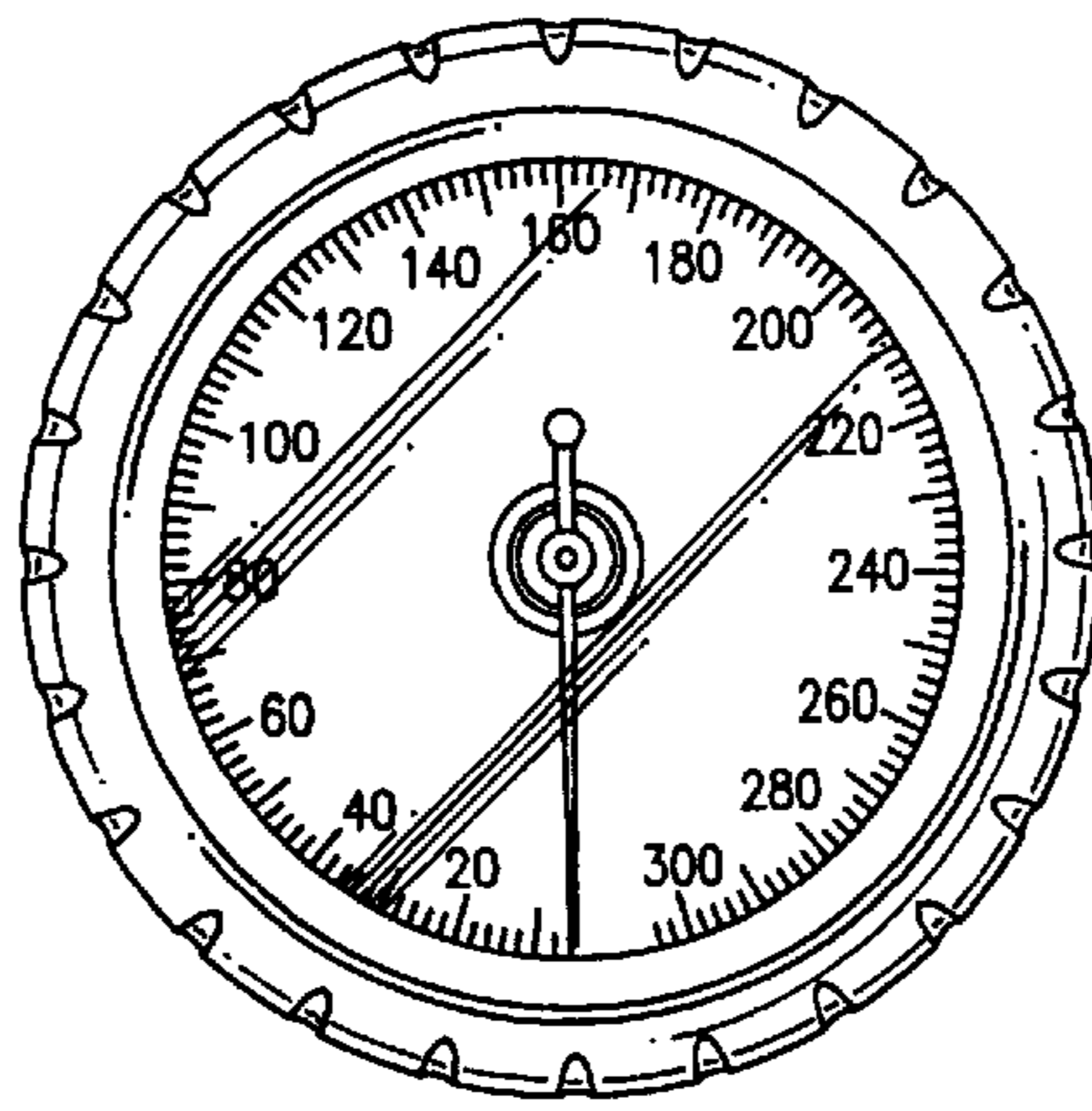


FIG. 1

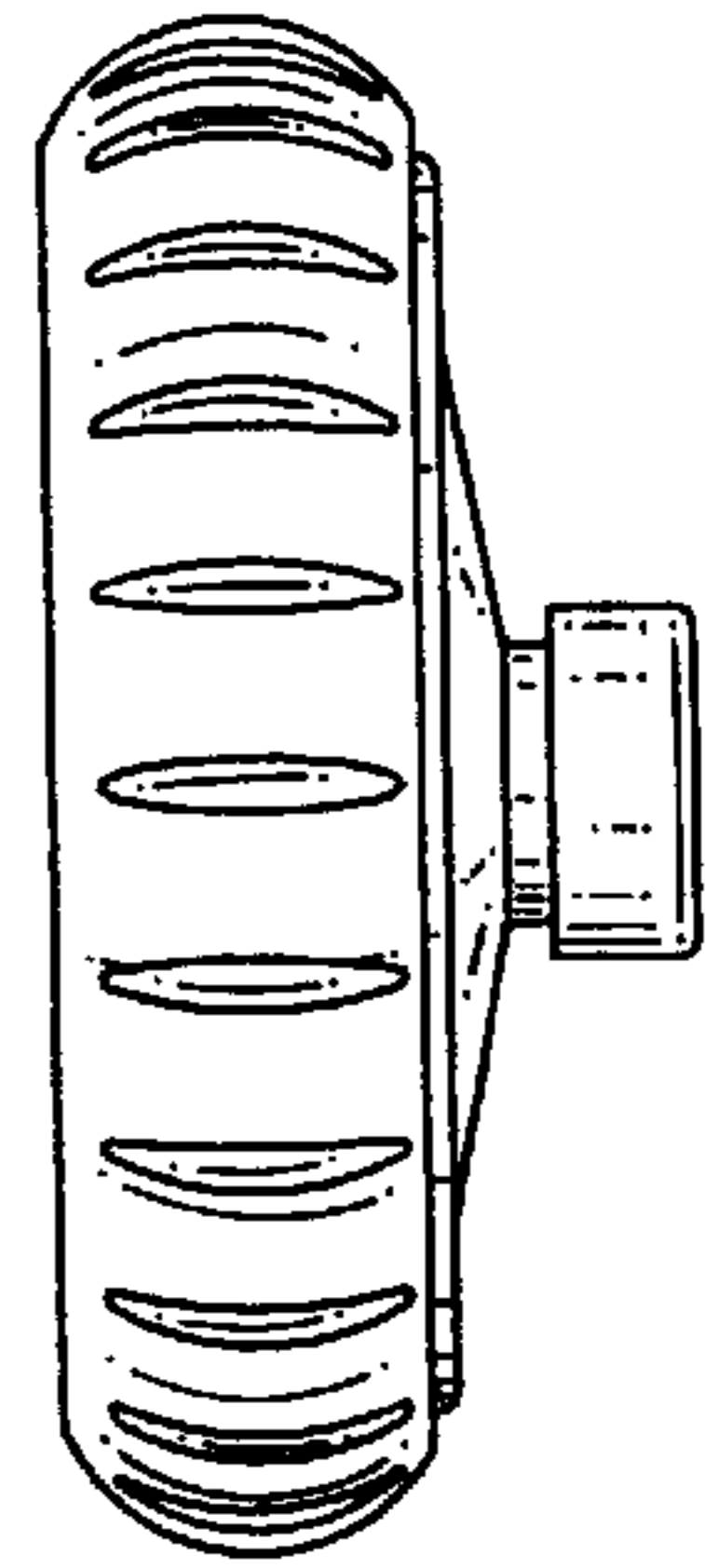


FIG. 2

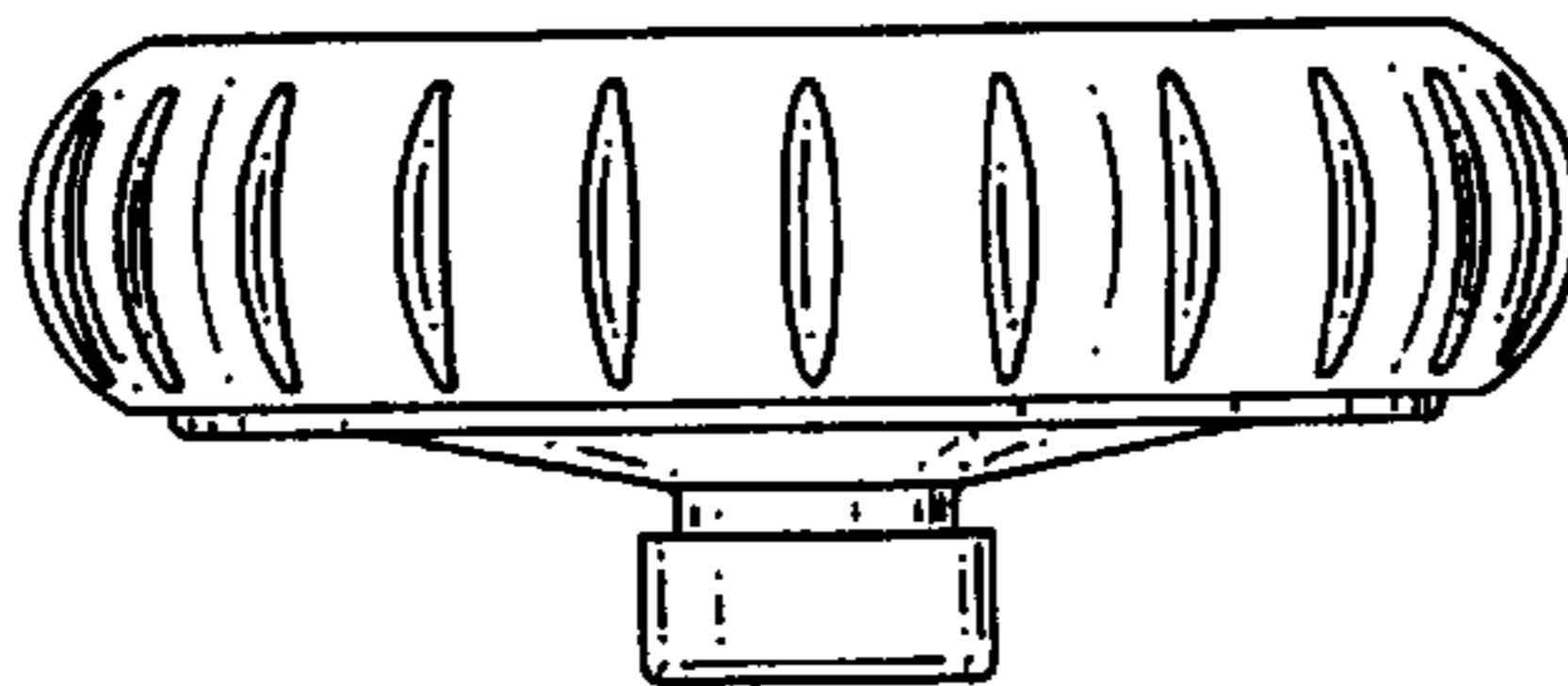


FIG. 5

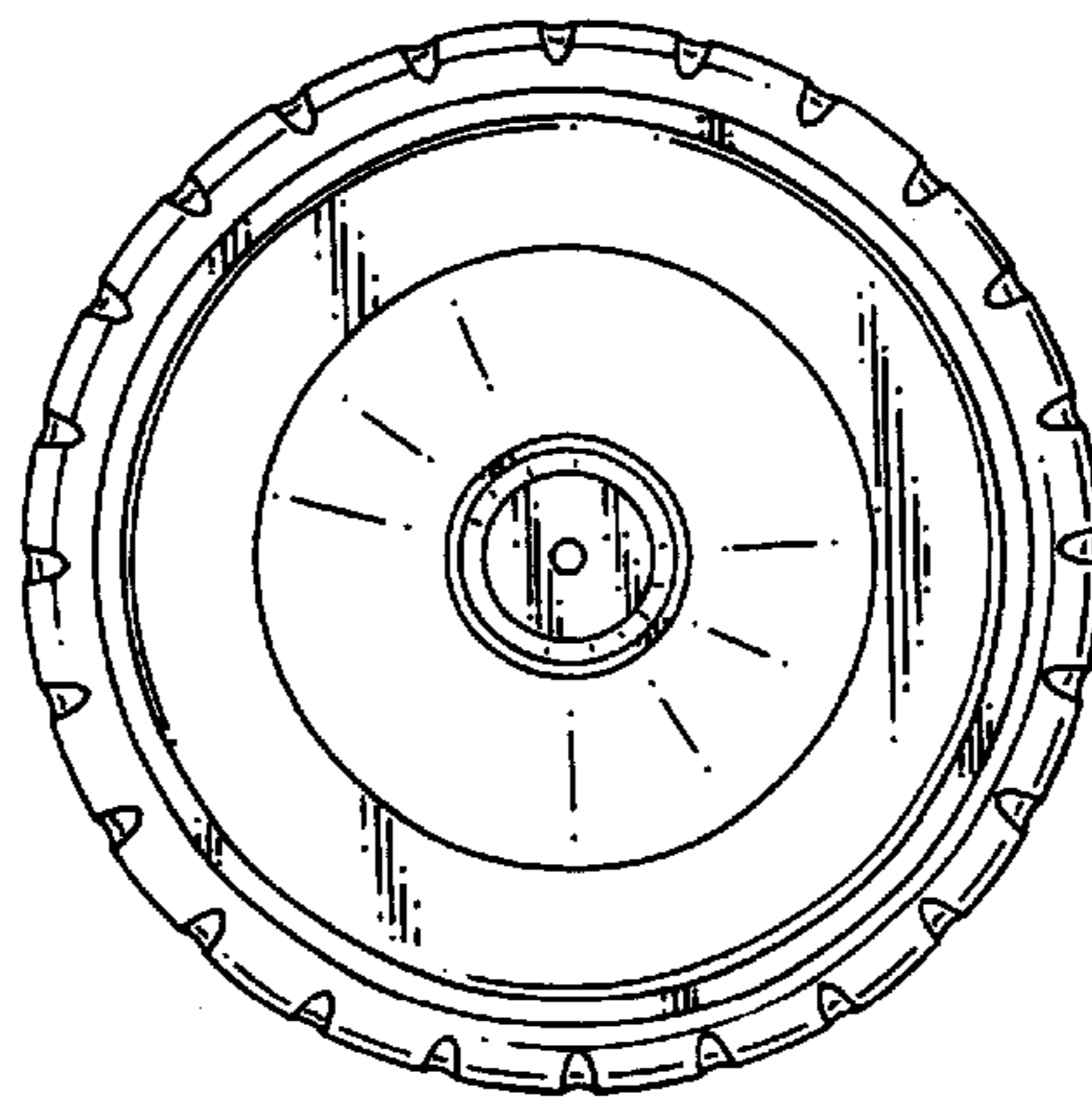


FIG. 6

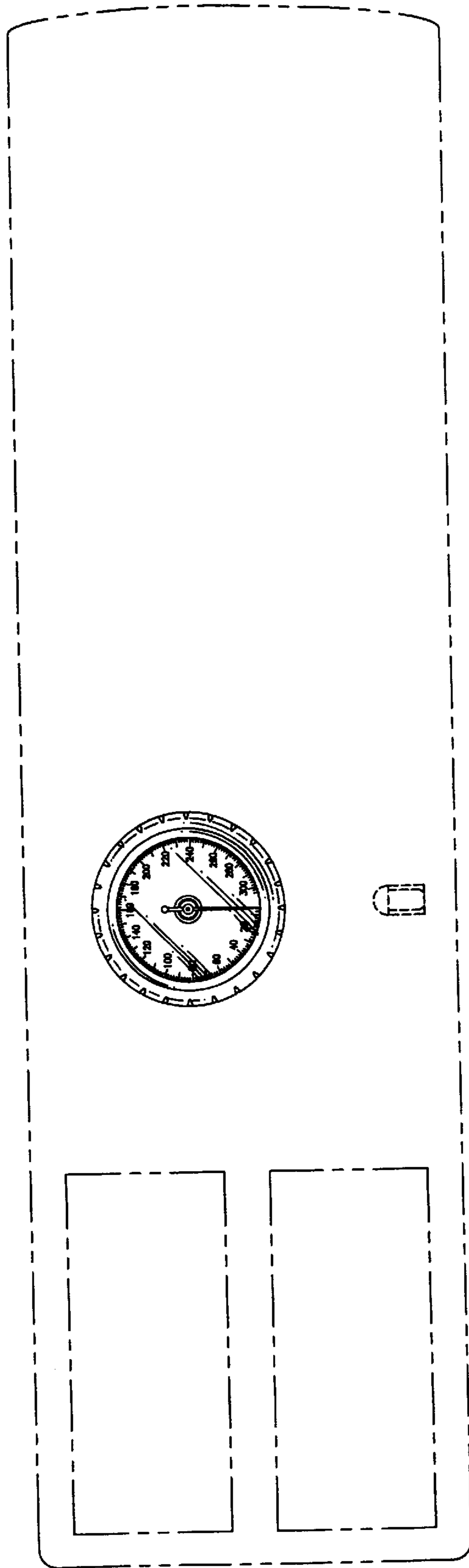


FIG. 7