



US00D457623S

(12) **United States Design Patent**
Workman

(10) **Patent No.:** **US D457,623 S**

(45) **Date of Patent:** **** May 21, 2002**

(54) **BED PAN DEFLECTOR**

(76) **Inventor:** **Thea Workman**, 128 N. 200 East,
Orem, UT (US) 84057-5500

(**) **Term:** **14 Years**

(21) **Appl. No.:** **29/142,184**

(22) **Filed:** **May 21, 2001**

(51) **LOC (7) Cl.** **24-04**

(52) **U.S. Cl.** **D24/123; D24/122; D24/132**

(58) **Field of Search** D24/122, 121,
D24/132, 123; D23/307, 303, 296, 310,
311; 4/144.4, 450, 457, 454, DIG. 5, 300.3,
144.1, 144.2, 144.3

(56) **References Cited**

U.S. PATENT DOCUMENTS

932,442 A	8/1909	Cagle	
D45,946 S	* 6/1914	Meyer	D24/132
1,252,868 A	1/1918	Webster	
1,499,161 A	6/1924	Farnsworth	
1,857,328 A	* 5/1932	Piper	4/144.1
2,113,705 A	4/1938	Merrett	
D110,120 S	6/1938	Kraus	
2,294,349 A	8/1942	Muller	
2,446,160 A	* 7/1948	Muller	4/DIG. 5
D154,346 S	* 6/1949	Thompson	D24/123
2,686,320 A	8/1954	Felstein	
4,571,759 A	2/1986	Sasaki et al.	

4,612,676 A	9/1986	Whitman	
4,716,602 A	1/1988	Brickhouse	
4,937,889 A	* 7/1990	Strickland	4/144.3
5,077,840 A	1/1992	Masters et al.	

* cited by examiner

Primary Examiner—Ian Simmons

(74) *Attorney, Agent, or Firm*—Morriss, Bateman,
O'Bryant & Compagni

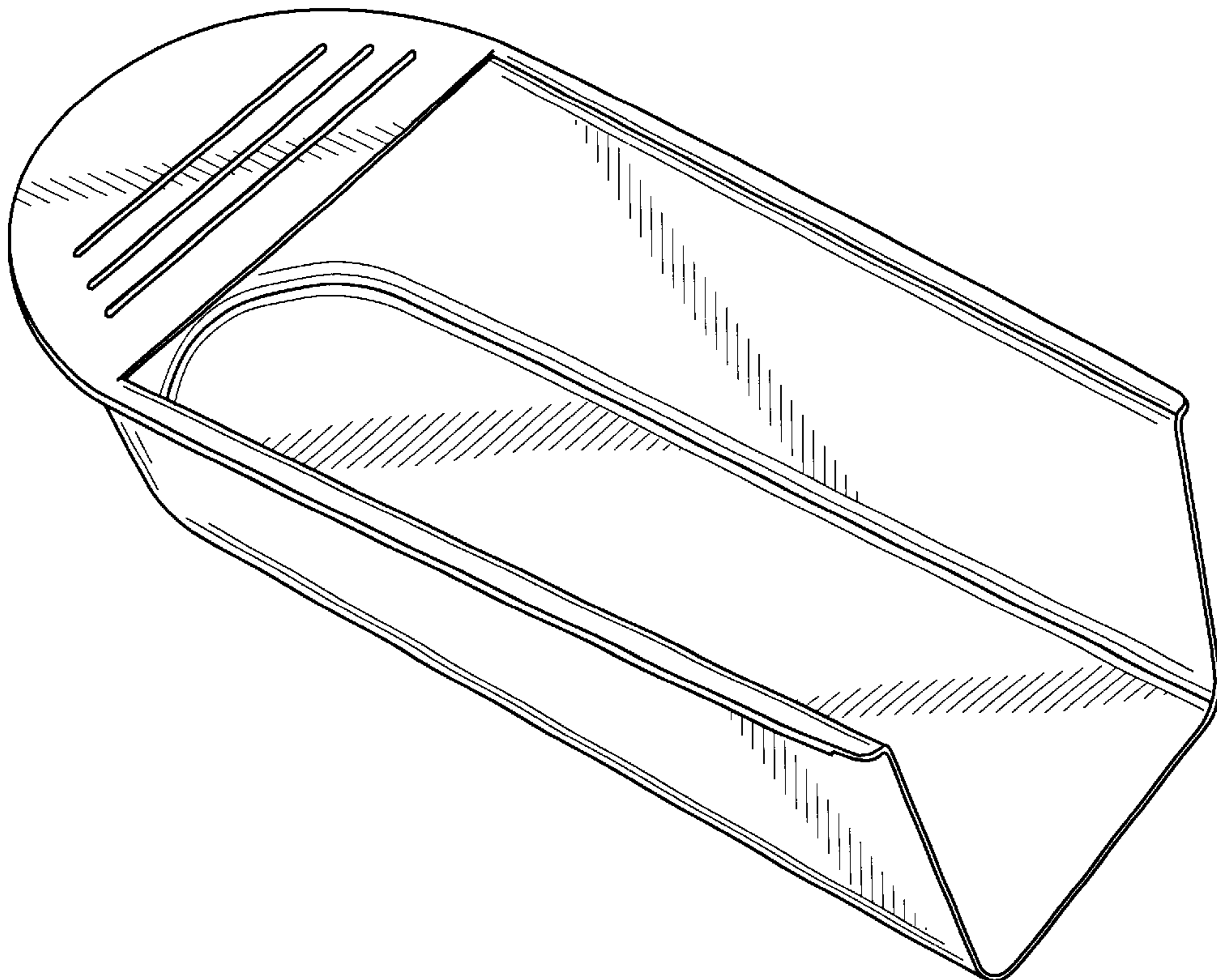
(57) **CLAIM**

The ornamental design for a bed pan deflector, as shown and described.

DESCRIPTION

FIG. 1 is a perspective view of the bed pan deflector in three dimensional form;
 FIG. 2 is a left side view of the bed pan deflector shown in FIG. 1;
 FIG. 3 is a right side view of the bed pan deflector shown in FIG. 1;
 FIG. 4 is a front view of the bed pan deflector shown in FIG. 1;
 FIG. 5 is a back side view of the bed pan deflector shown in FIG. 1;
 FIG. 6 is a top view of the bed pan deflector shown in FIG. 1; and,
 FIG. 7 is a bottom view of the bed pan deflector shown in FIG. 1.

1 Claim, 3 Drawing Sheets



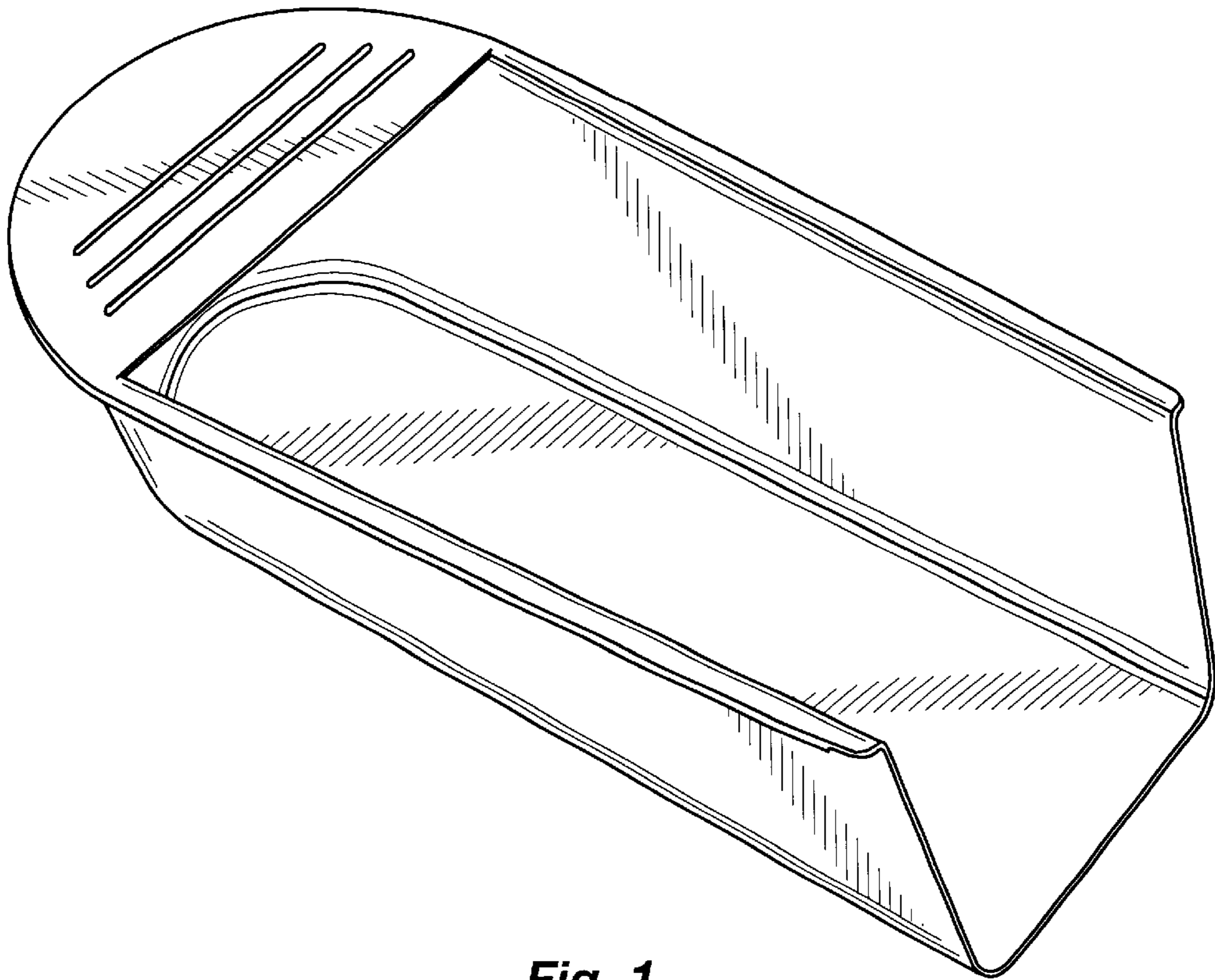


Fig. 1

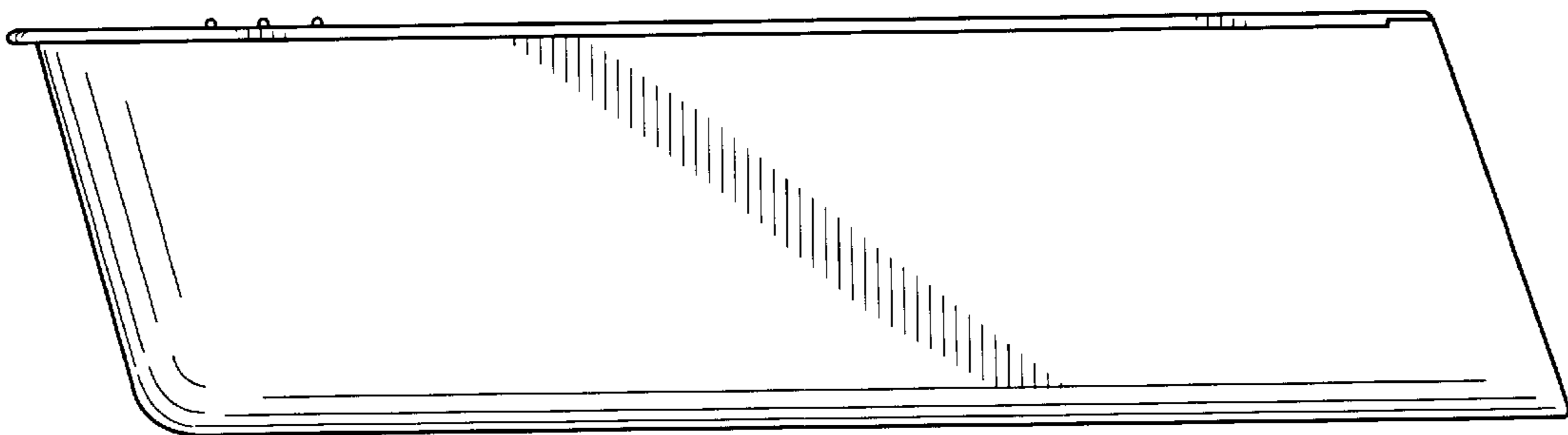


Fig. 2

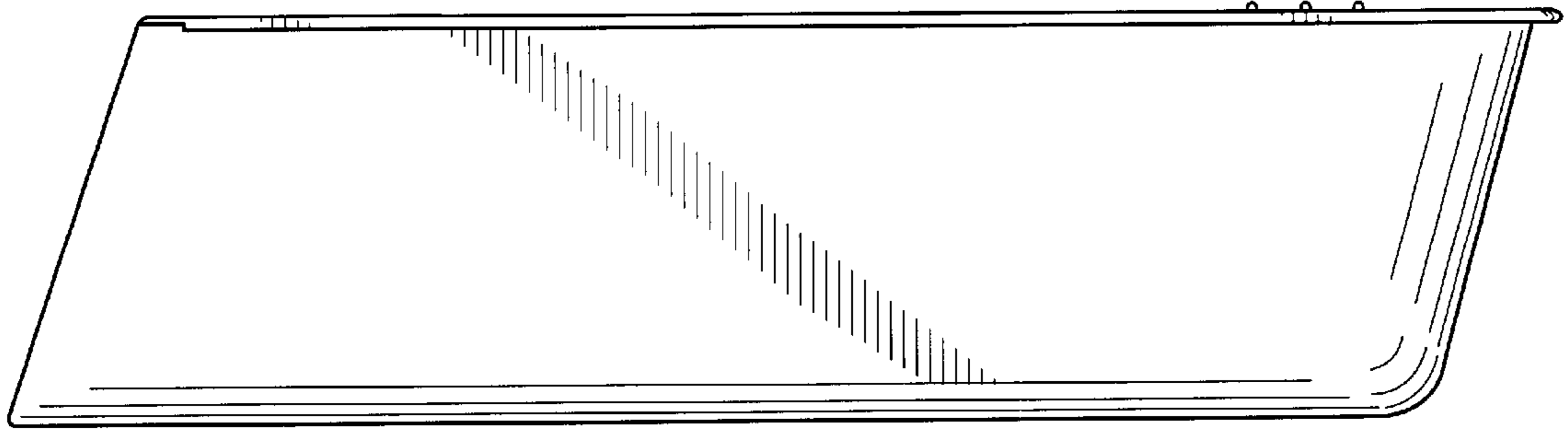


Fig. 3

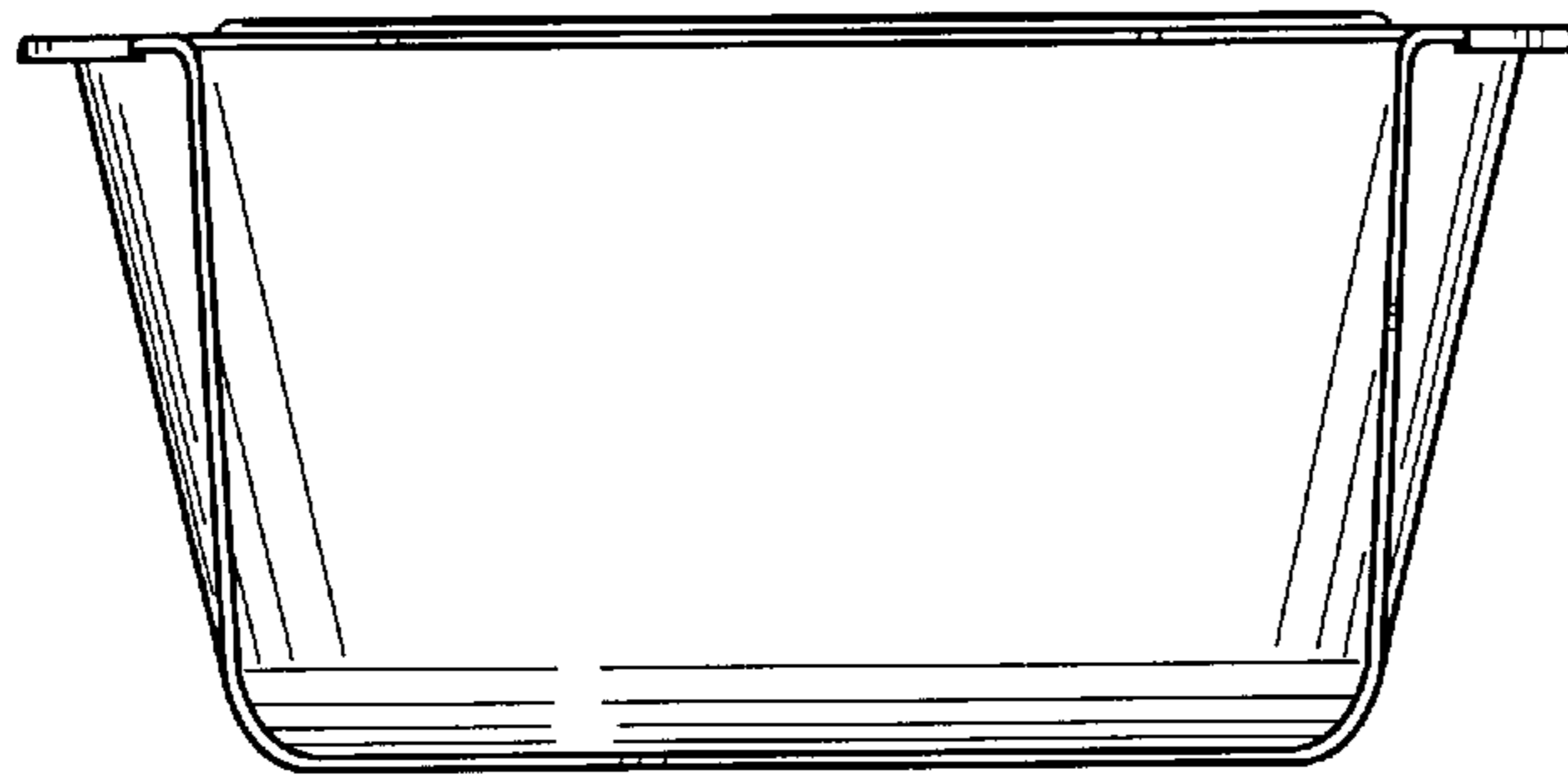


Fig. 4

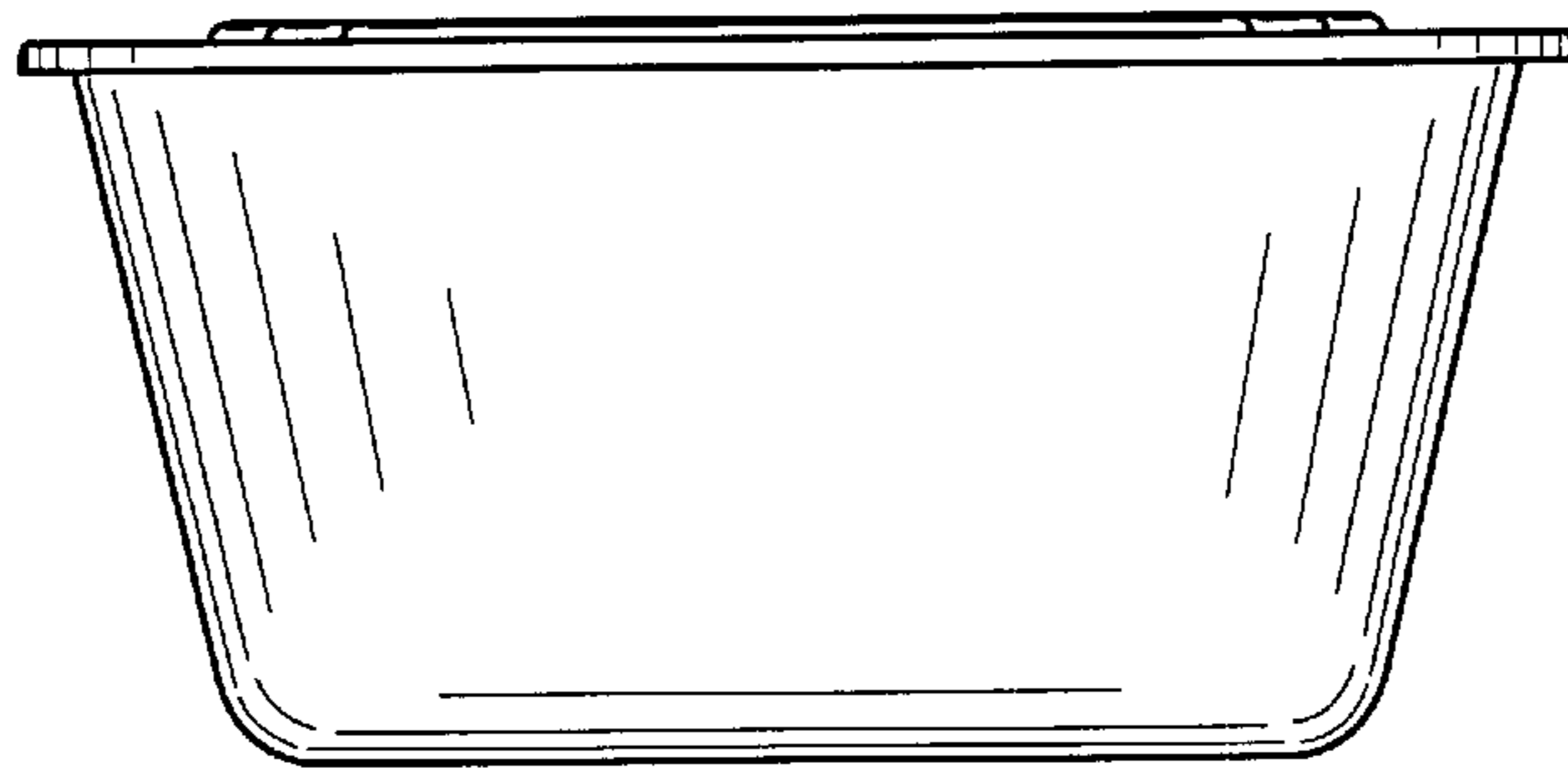


Fig. 5

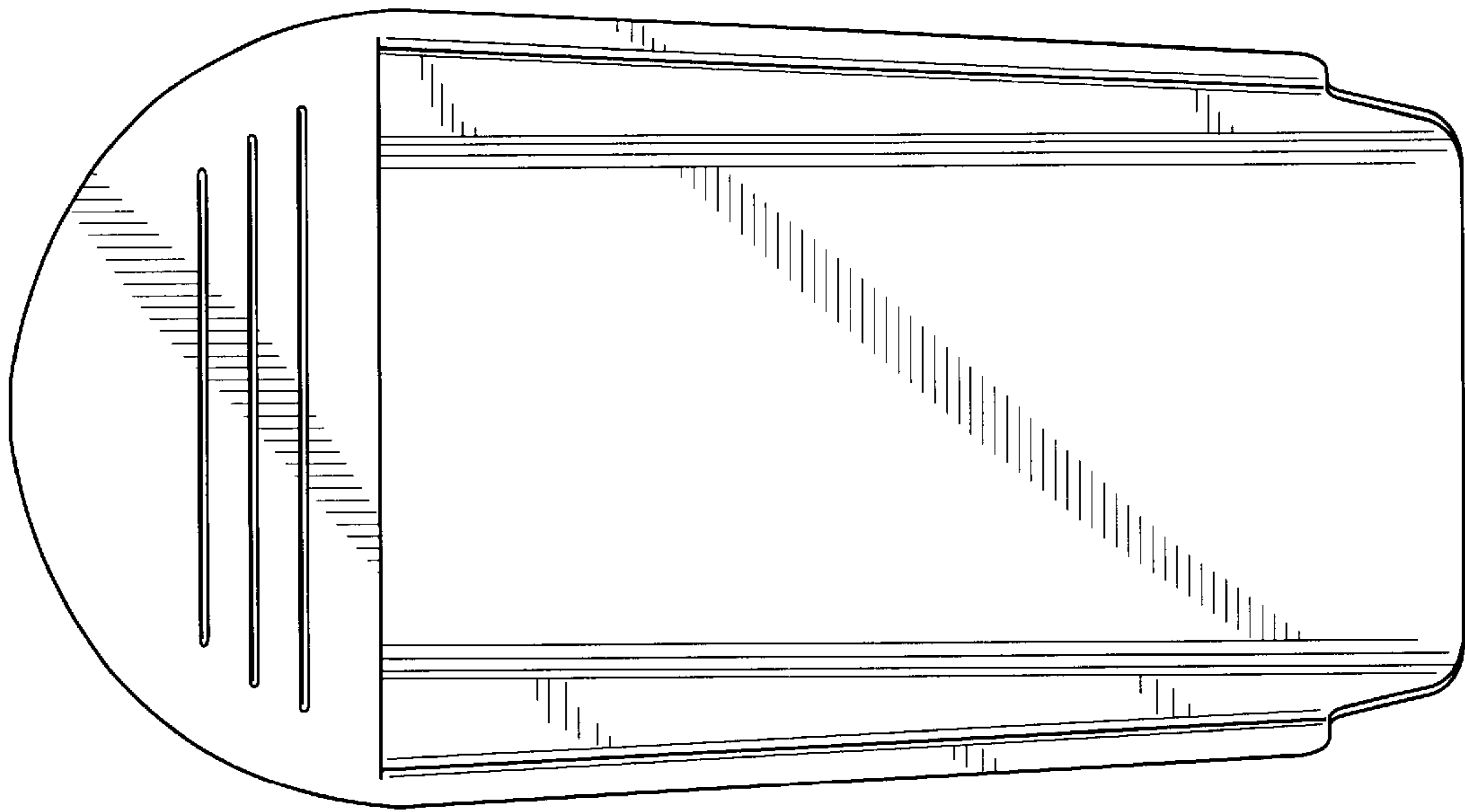


Fig. 6

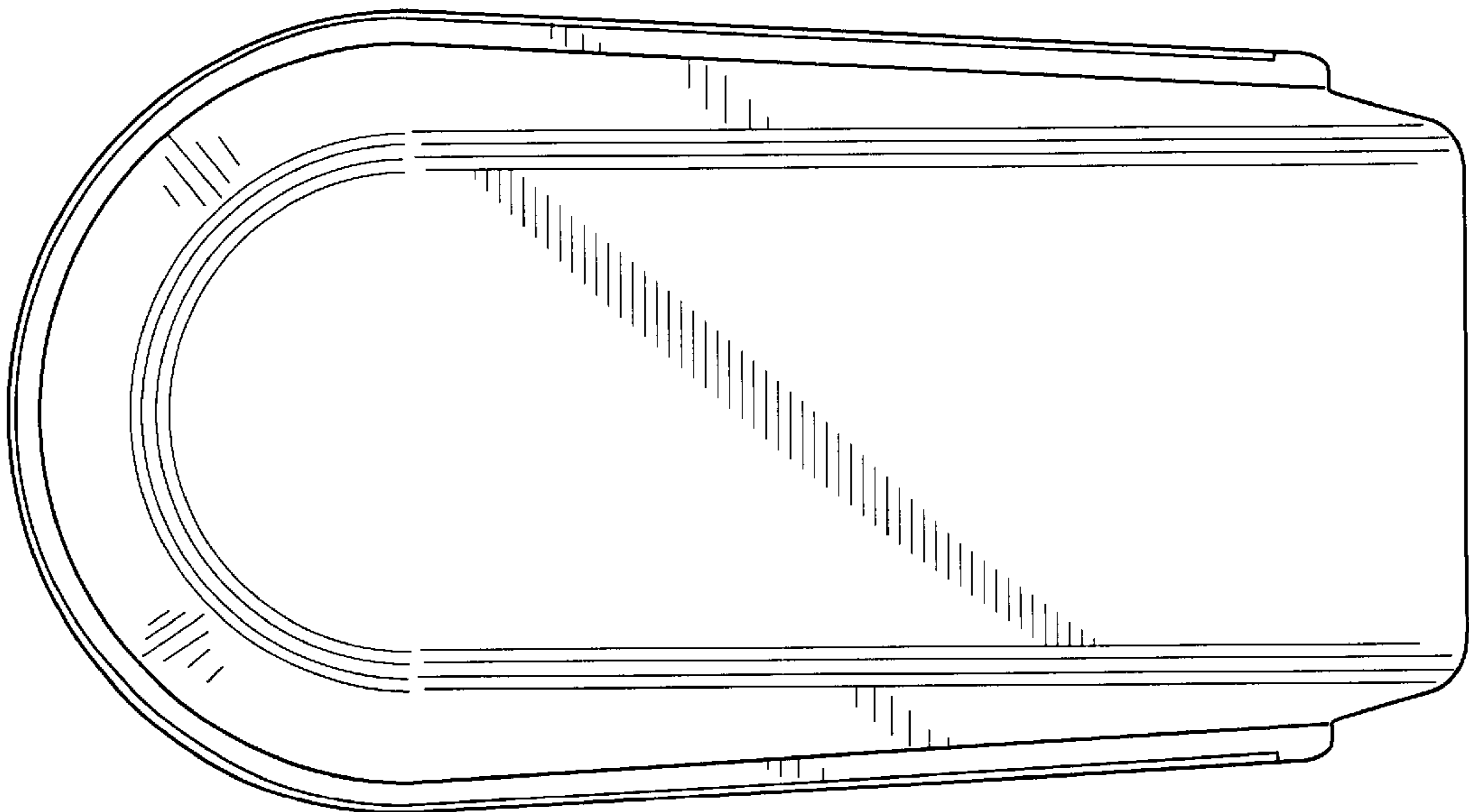


Fig. 7