



US00D457622S

(12) **United States Design Patent**
Kopacko et al.

(10) **Patent No.: US D457,622 S**

(45) **Date of Patent: ** May 21, 2002**

(54) **NASAL MASK**

OTHER PUBLICATIONS

(75) Inventors: **Ralph E. Kopacko**, Irwin; **Zachary D. Paul**; **Joseph M. Miceli, Jr.**, both of Pittsburgh; **Richard J. Lordo**, Allison Park; **Peter Chi Fai Ho**, Pittsburgh, all of PA (US)

Sales Brochure—"Comfort Flap Mask Accessory", Respironics, Inc. 1994.

Sales Brochure—"Spectrum Reusable Full Face Mask", Respironics, Inc. 1998.

(List continued on next page.)

(73) Assignee: **Respironics, Inc.**, Pittsburgh, PA (US)

Primary Examiner—Ian Simmons

(**) Term: **14 Years**

(74) *Attorney, Agent, or Firm*—Michael W. Haas

(21) Appl. No.: **29/141,529**

(57) **CLAIM**

(22) Filed: **May 8, 2001**

The ornamental design for a nasal mask, as shown and described.

Related U.S. Application Data

DESCRIPTION

(63) Continuation-in-part of application No. 29/109,077, filed on Aug. 10, 1999, now Pat. No. Des. 441,860.

FIG. 1 is a perspective view of an embodiment of a nasal mask in accordance with our new design, the broken line showing is for illustrative purposes only and forms no part of the claimed design.

(51) **LOC (7) Cl.** **29-02**

(52) **U.S. Cl.** **D24/110.1; D24/110.4**

(58) **Field of Search** D24/110.1, 110.4, D24/110.3, 164; 128/207.11, 207.13, 207.17, 206.25, 206.23, 205.25, 207.18, 204.18, 206.26

FIG. 2 is an additional perspective view of the nasal mask with forehead pad feature in accordance with our new design.

FIG. 3 is a front view of the nasal mask shown in FIG. 1. FIG. 4 is a side view of the nasal mask shown in FIG. 1. The opposite side is similar and not separately illustrated herein. FIG. 5 is a back view of the nasal mask shown in FIG. 1. FIG. 6 is a top view of the nasal mask shown in FIG. 1.

(56) **References Cited**

U.S. PATENT DOCUMENTS

D47,140 S	3/1915	Newkirk
2,011,733 A	8/1935	Shindel
2,104,016 A	1/1938	Biggs
2,254,854 A	9/1941	O'Connell
2,317,608 A	4/1943	Heidbrink
2,749,910 A	6/1956	Faulconer, Jr.
2,931,356 A	4/1960	Schwarz
2,939,458 A	6/1960	Lundquist
3,330,273 A	7/1967	Bennett
4,167,185 A	9/1979	Lewis

FIG. 7 is a bottom view of the nasal mask shown in FIG. 1. FIG. 8 is a perspective view of another embodiment of a nasal mask in accordance with our new design.

FIG. 9 is an additional perspective view of the nasal mask with forehead pad feature in accordance with our new design.

FIG. 10 is a front view of the nasal mask shown in FIG. 9. FIG. 11 is a side view of the nasal mask shown in FIG. 9. The opposite side is similar and not separately illustrated herein.

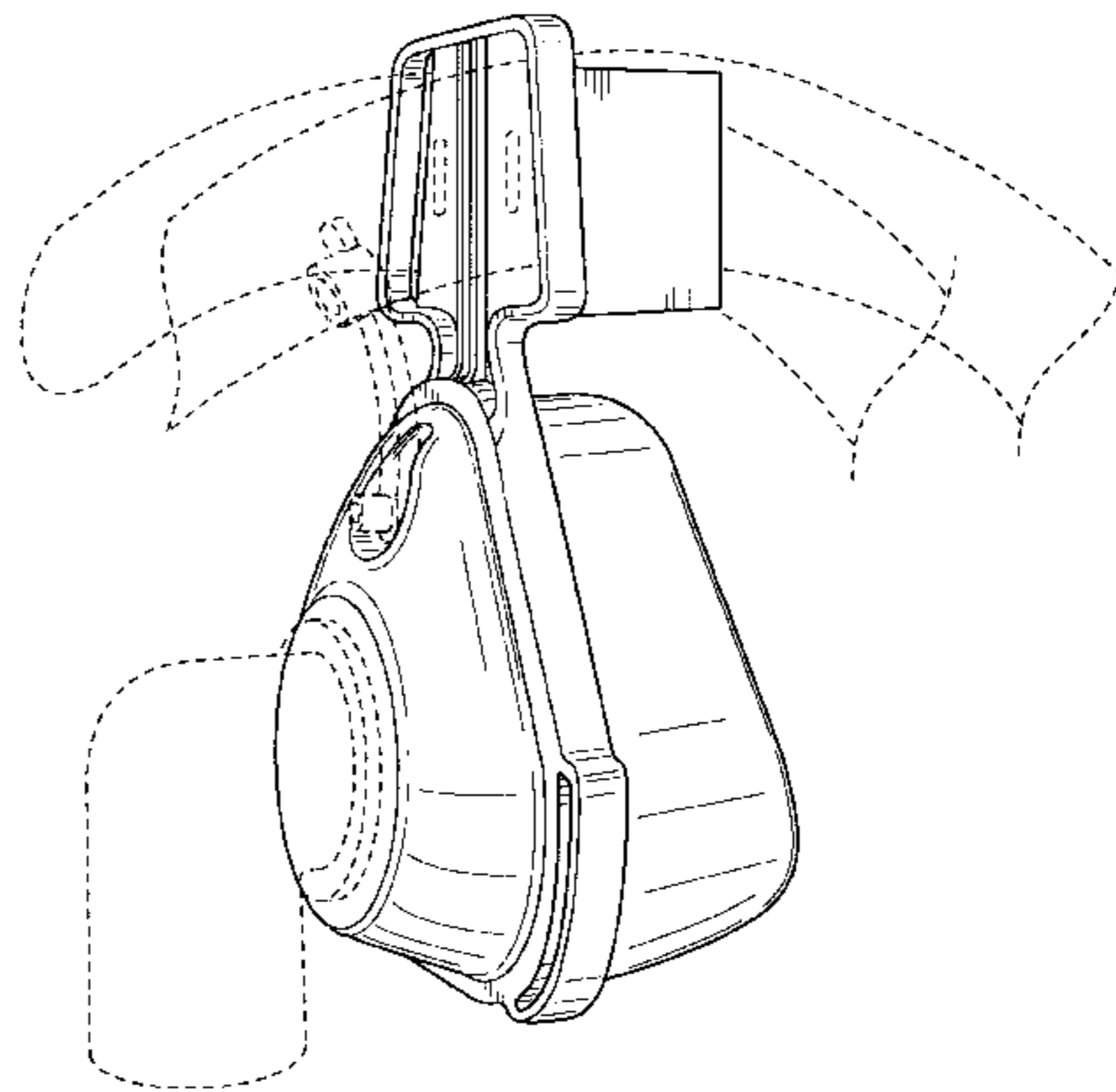
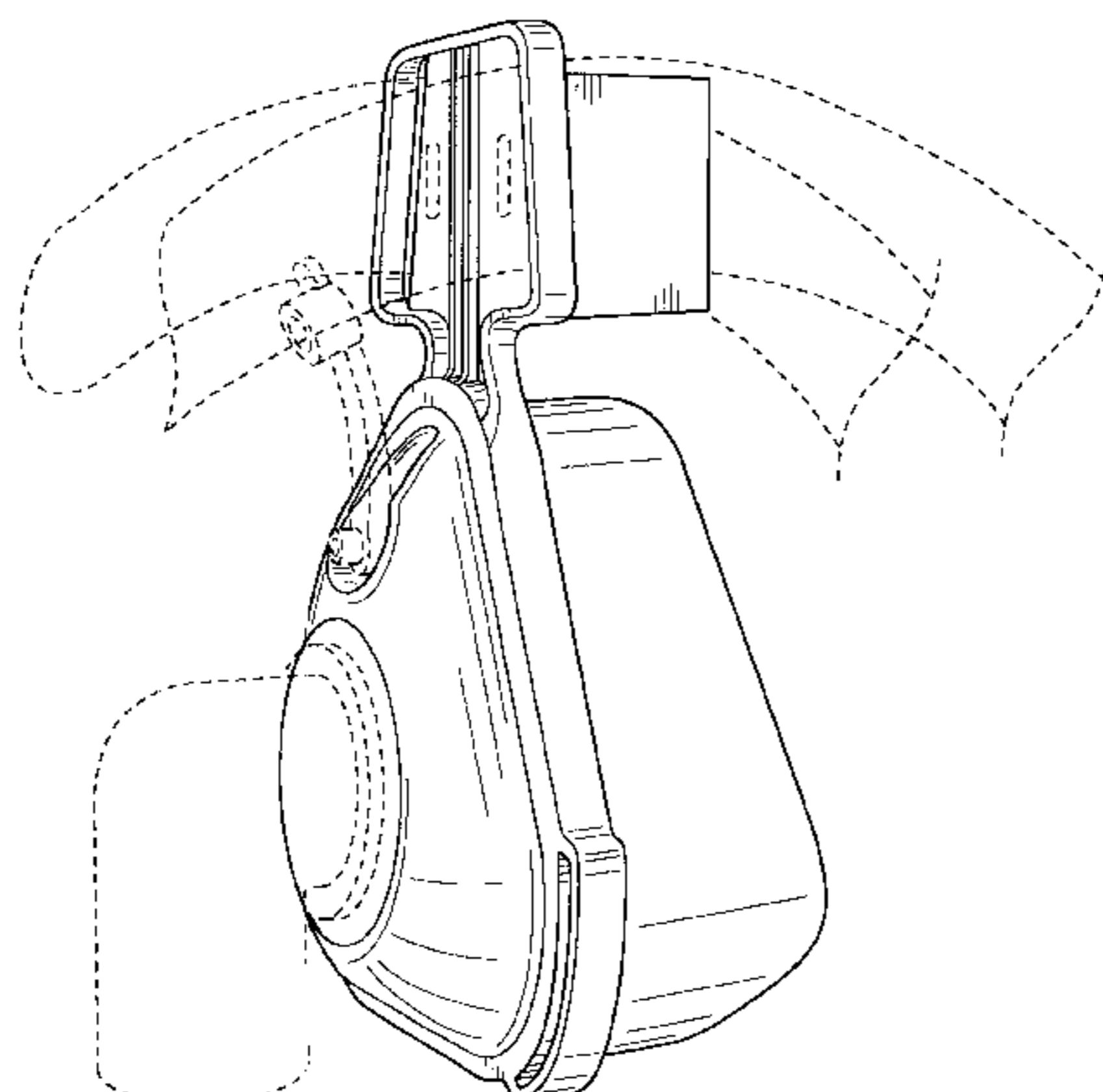
(List continued on next page.)

FIG. 12 is a back view of the nasal mask shown in FIG. 9. FIG. 13 is a top view of the nasal mask shown in FIG. 9; and, FIG. 14 is a bottom view of the nasal mask shown in FIG. 9.

FOREIGN PATENT DOCUMENTS

WO WO 98/04310 2/1998

1 Claim, 12 Drawing Sheets



U.S. PATENT DOCUMENTS

4,655,213 A 4/1987 Rapoport et al.
4,677,977 A 7/1987 Wilcox
4,731,891 A 3/1988 Scheurer et al.
4,739,755 A 4/1988 White et al.
4,876,755 A 10/1989 Parrish
4,907,584 A 3/1990 McGinnis
4,944,310 A 7/1990 Sullivan
4,971,051 A 11/1990 Toffolon
5,042,487 A 8/1991 Kopala et al.
D333,015 S 2/1993 Farmer et al.
5,243,971 A 9/1993 Sullivan et al.
D349,586 S 8/1994 Handke
5,492,116 A 2/1996 Scarberry et al.
5,517,986 A 5/1996 Starr et al.
5,540,223 A 7/1996 Starr et al.
5,542,128 A 8/1996 Lomas
5,560,354 A 10/1996 Berthon-Jones et al.
5,570,689 A 11/1996 Starr et al.
5,647,357 A 7/1997 Barnett et al.

5,687,715 A 11/1997 Landis et al.
D389,238 S 1/1998 Kirk, III et al.
5,724,965 A 3/1998 Handke et al.
5,746,201 A 5/1998 Kidd
D419,670 S 1/2000 Pollard
6,044,844 A * 4/2000 Kwok et al.
6,112,746 A 9/2000 Kwok et al.
6,119,693 A 9/2000 Kwok et al.
D439,326 S * 3/2001 Hecker et al. D24/110.5

OTHER PUBLICATIONS

Sales Brochure—"Small Child Reusable Nasal Mask",
Respironics, Inc. 1994.
Sales Brochure—"Monarch Ultra Mini Mask", Respironics,
Inc. 1998.
Sales Brochure—"The Softest, Silkiest CPAP Mask Avail-
able", Respironics, Inc. 1998.

* cited by examiner

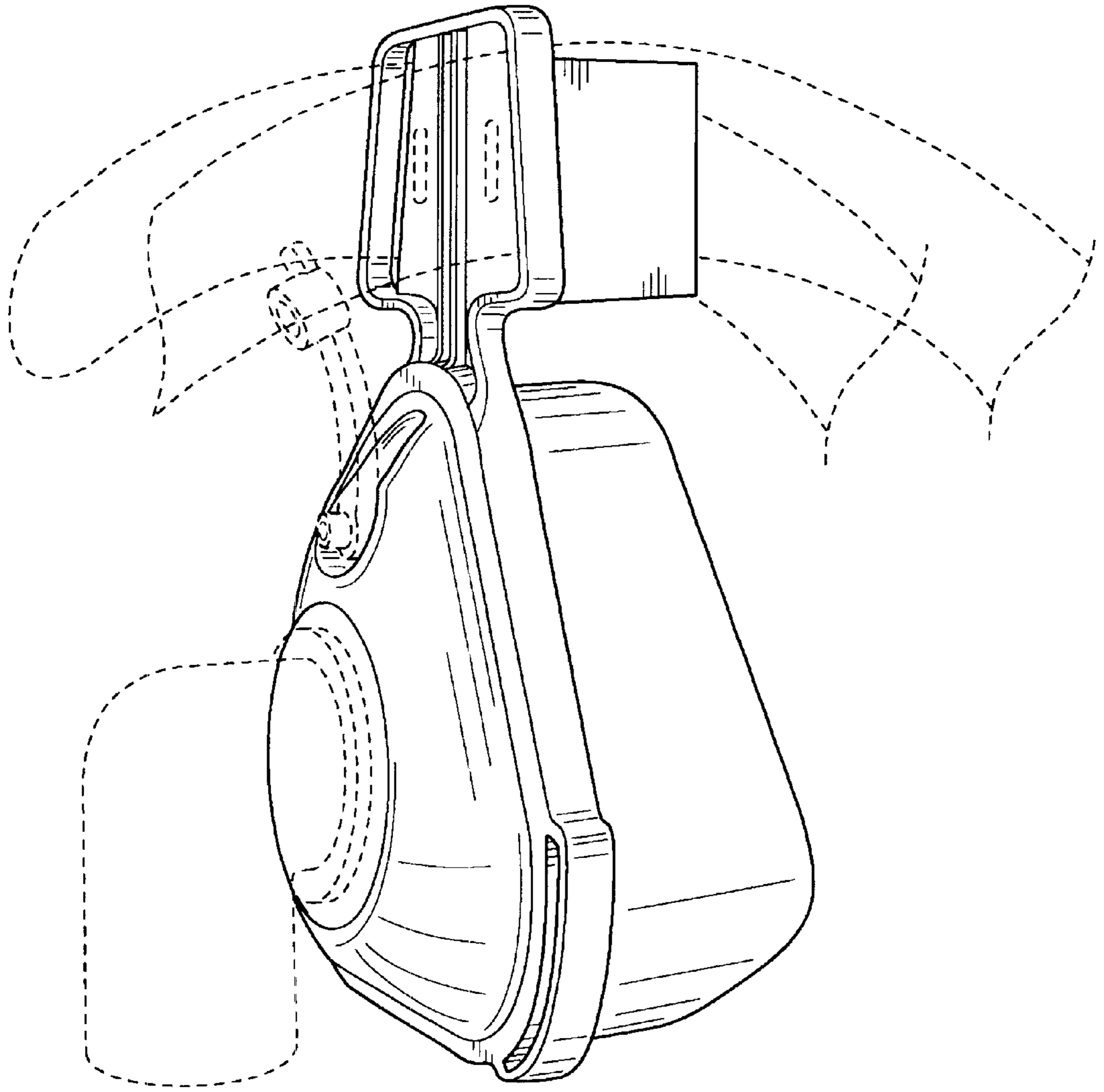


FIG. 1

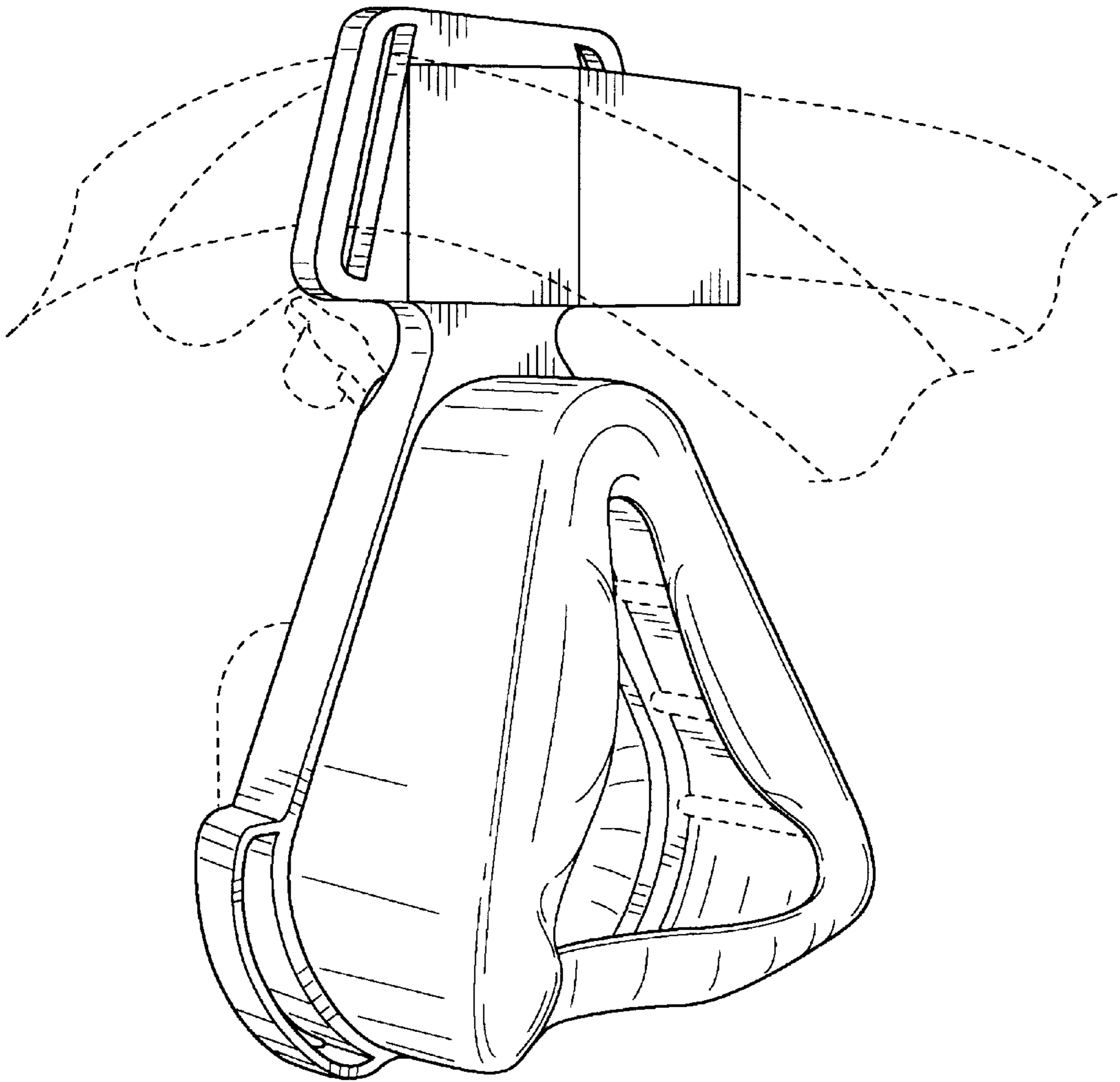


FIG. 2

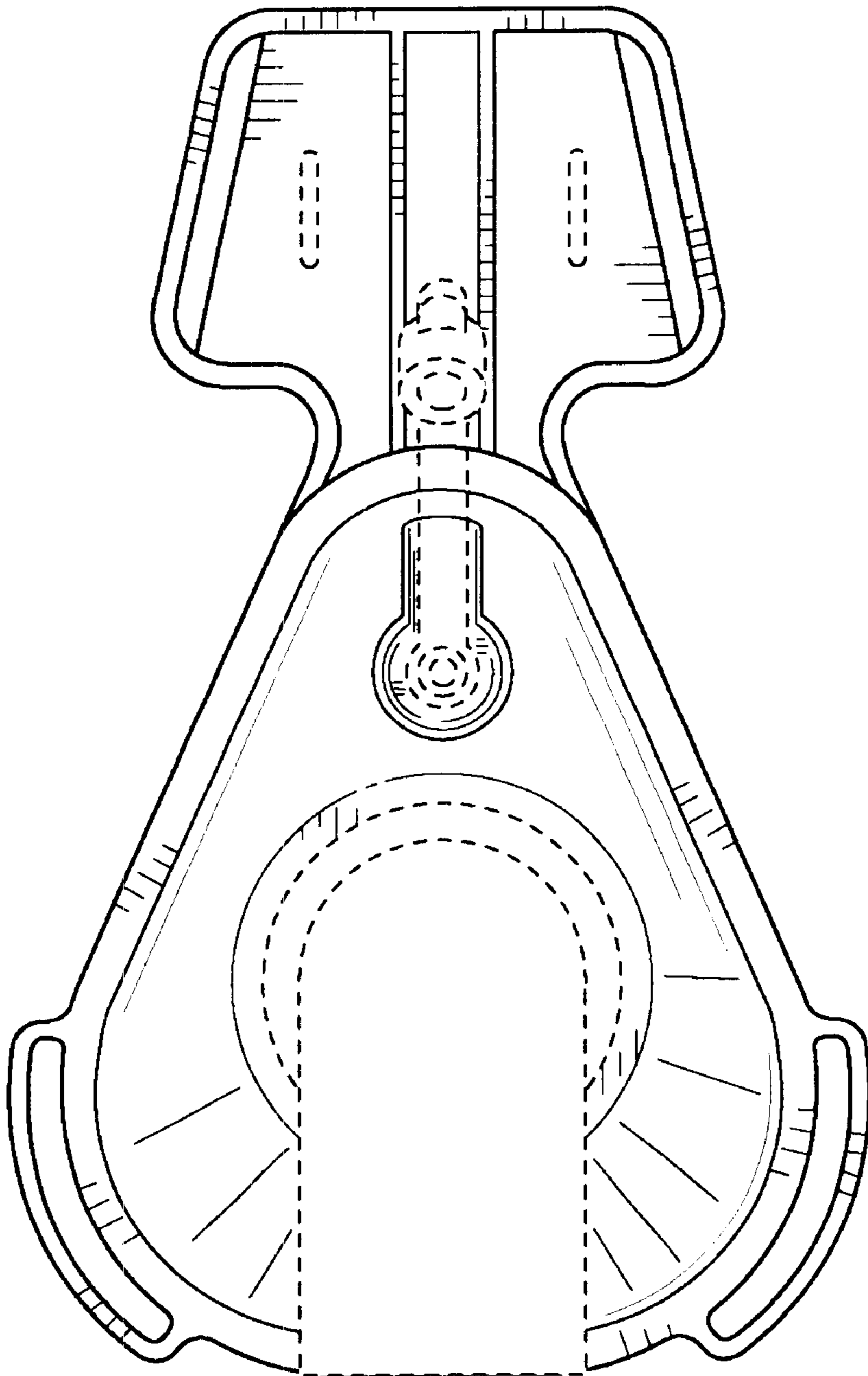


FIG. 3

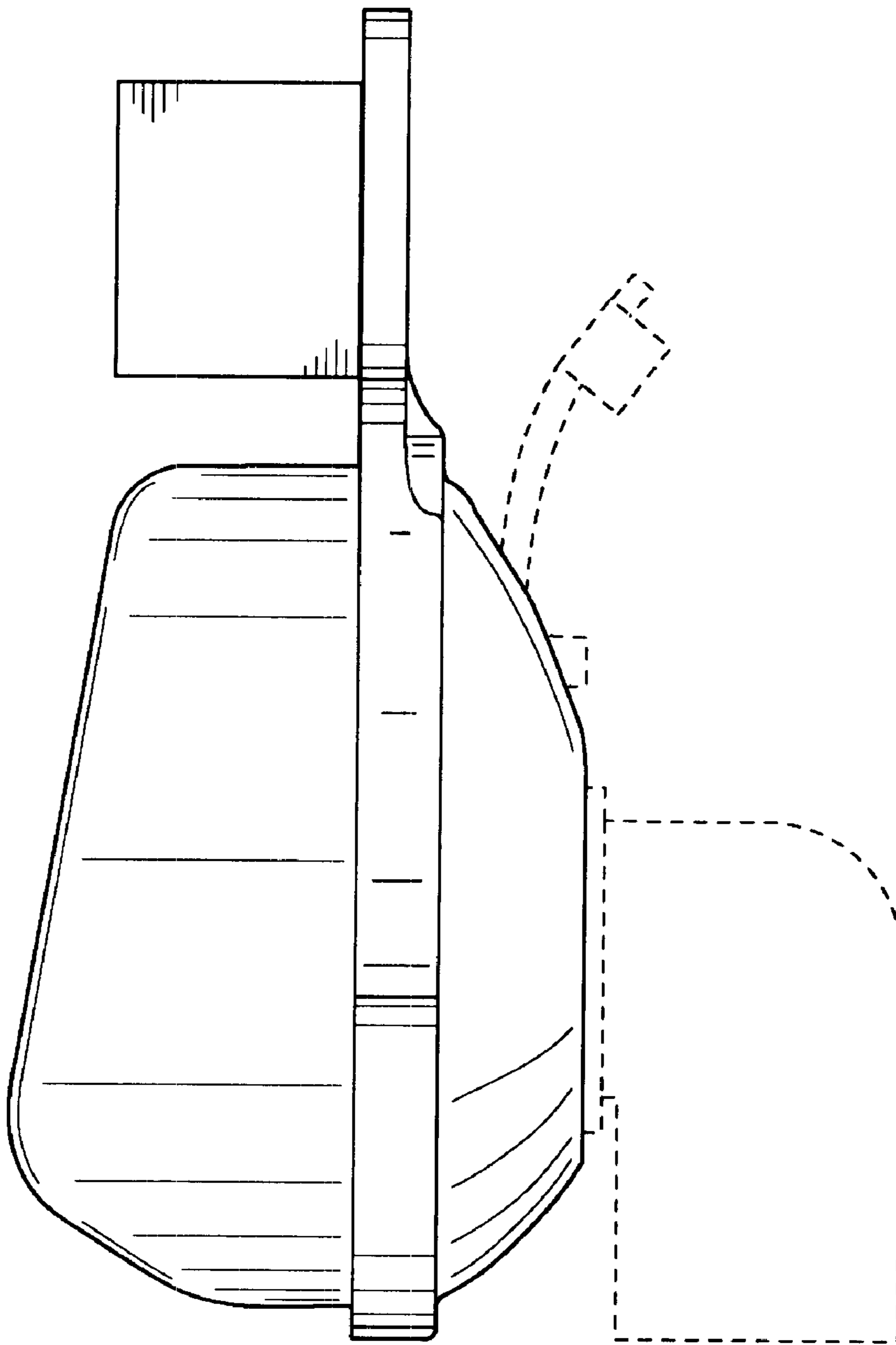


FIG. 4

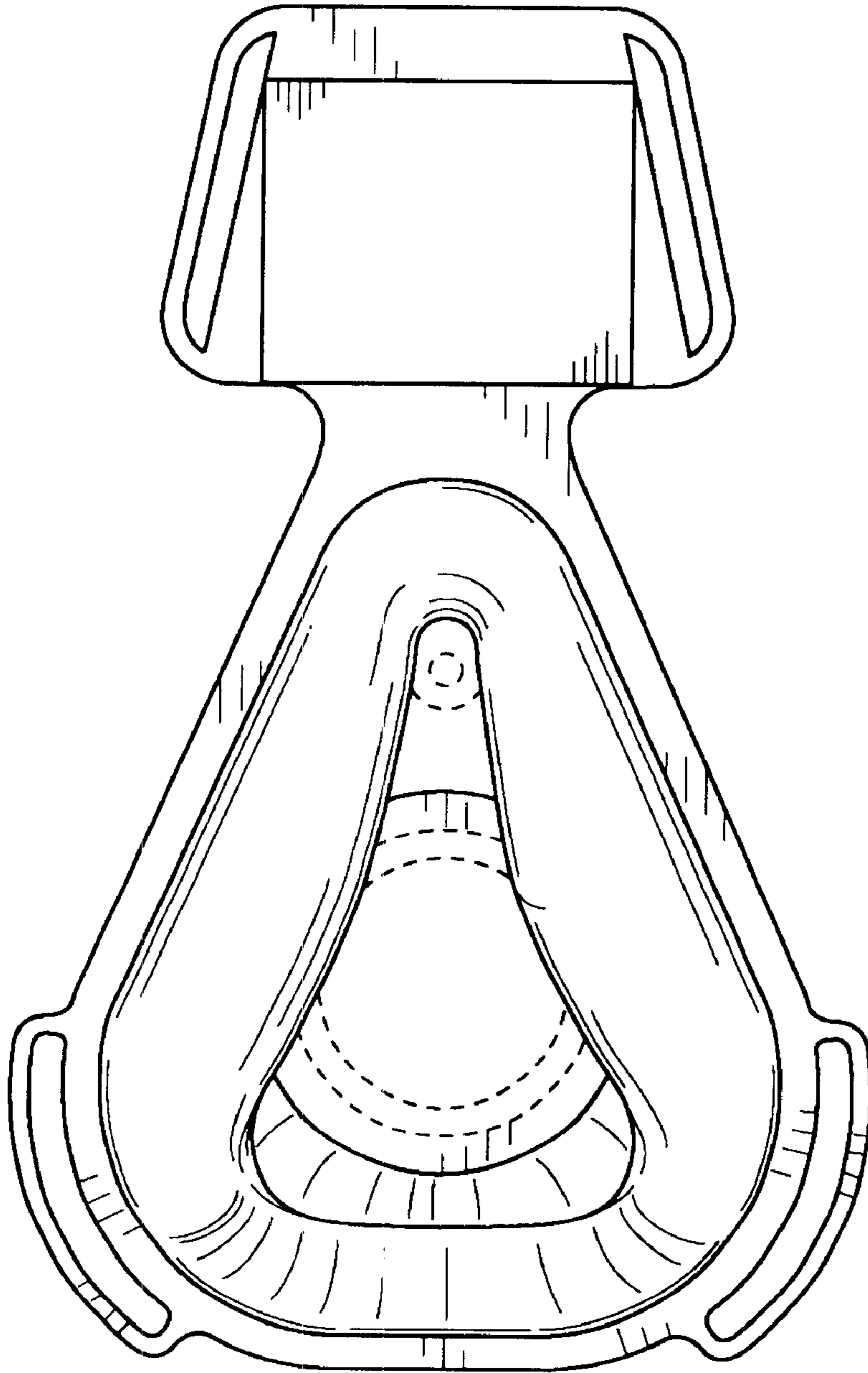


FIG. 5

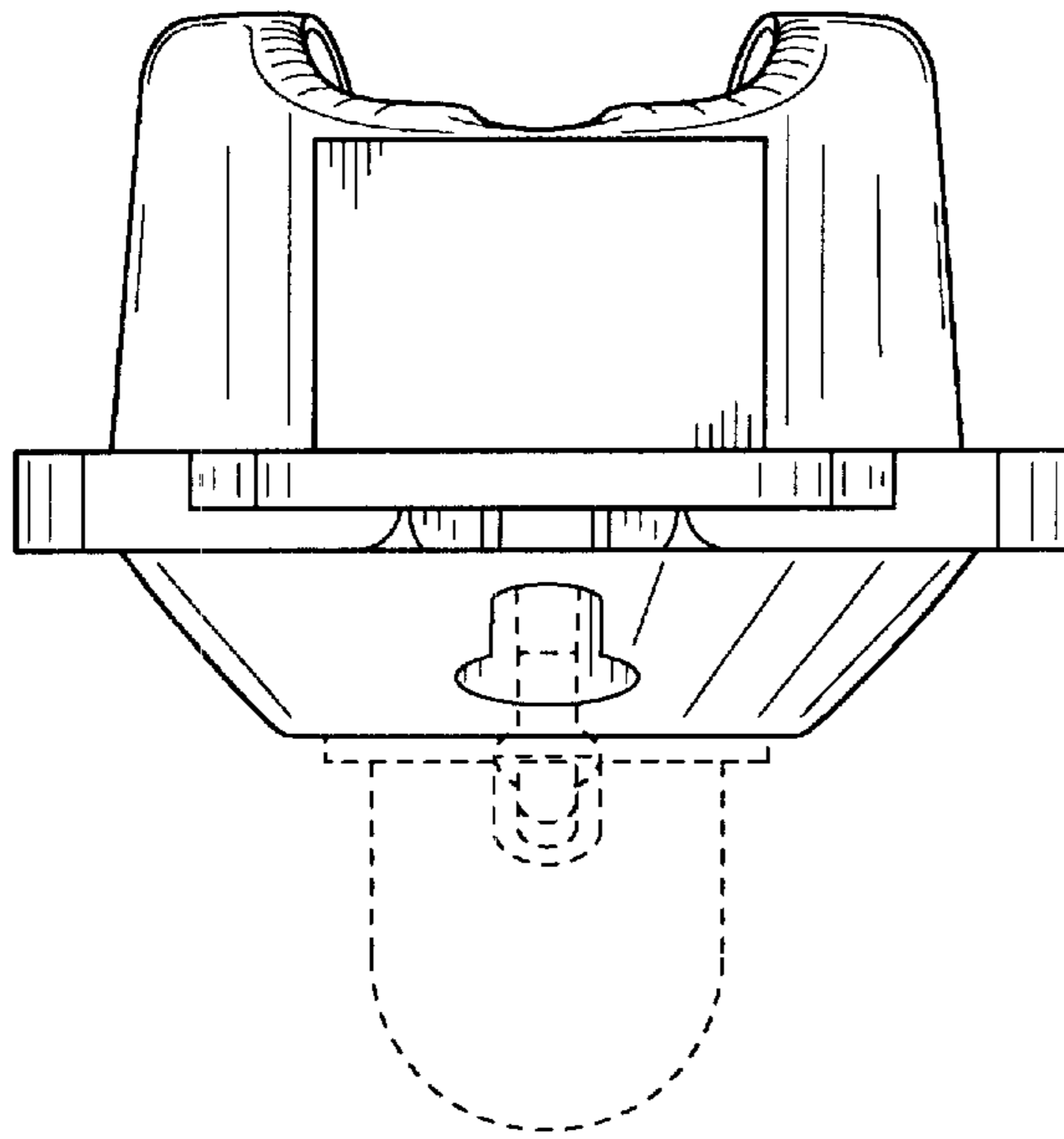


FIG. 6

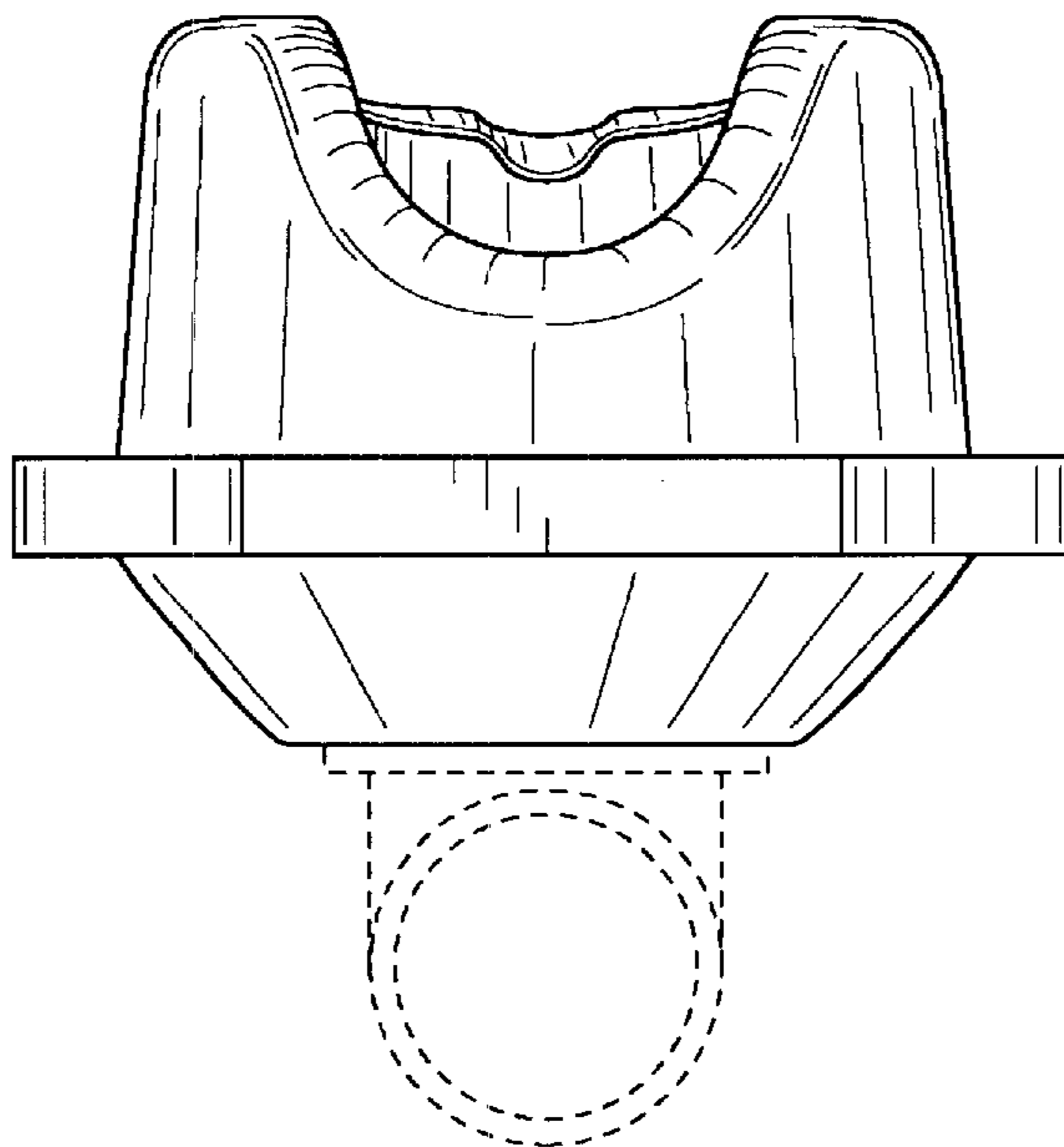


FIG. 7

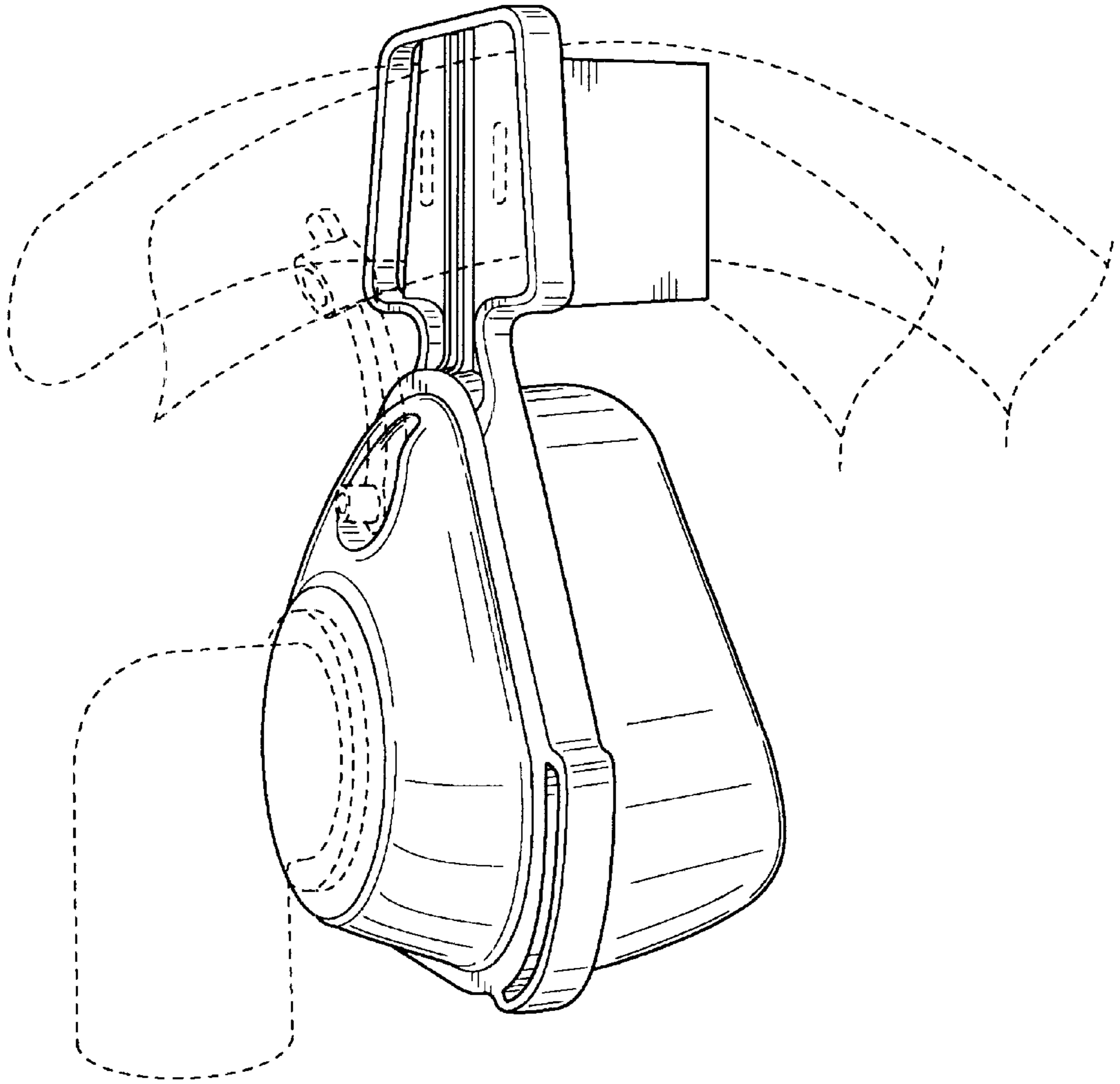


FIG. 8

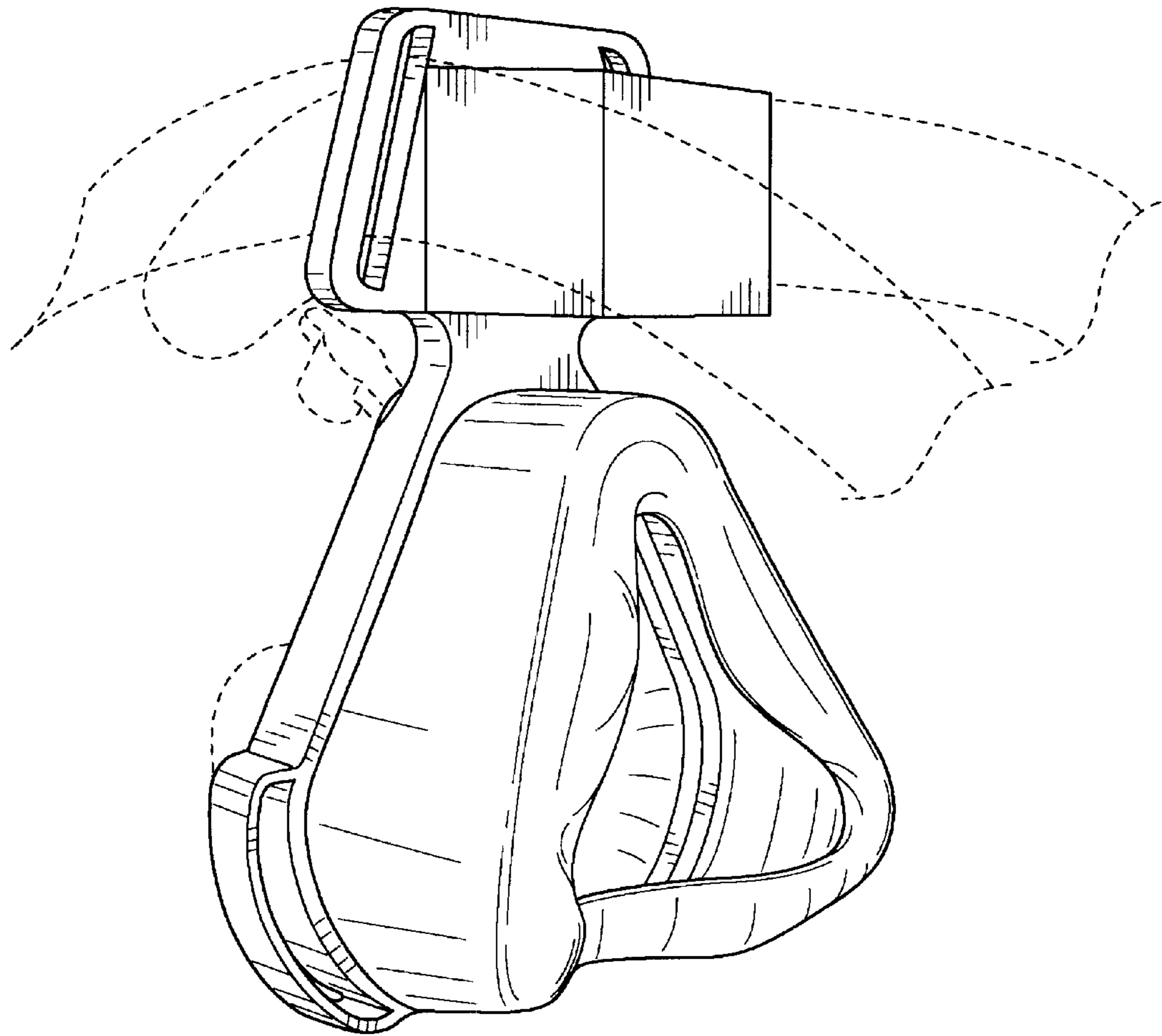


FIG. 9

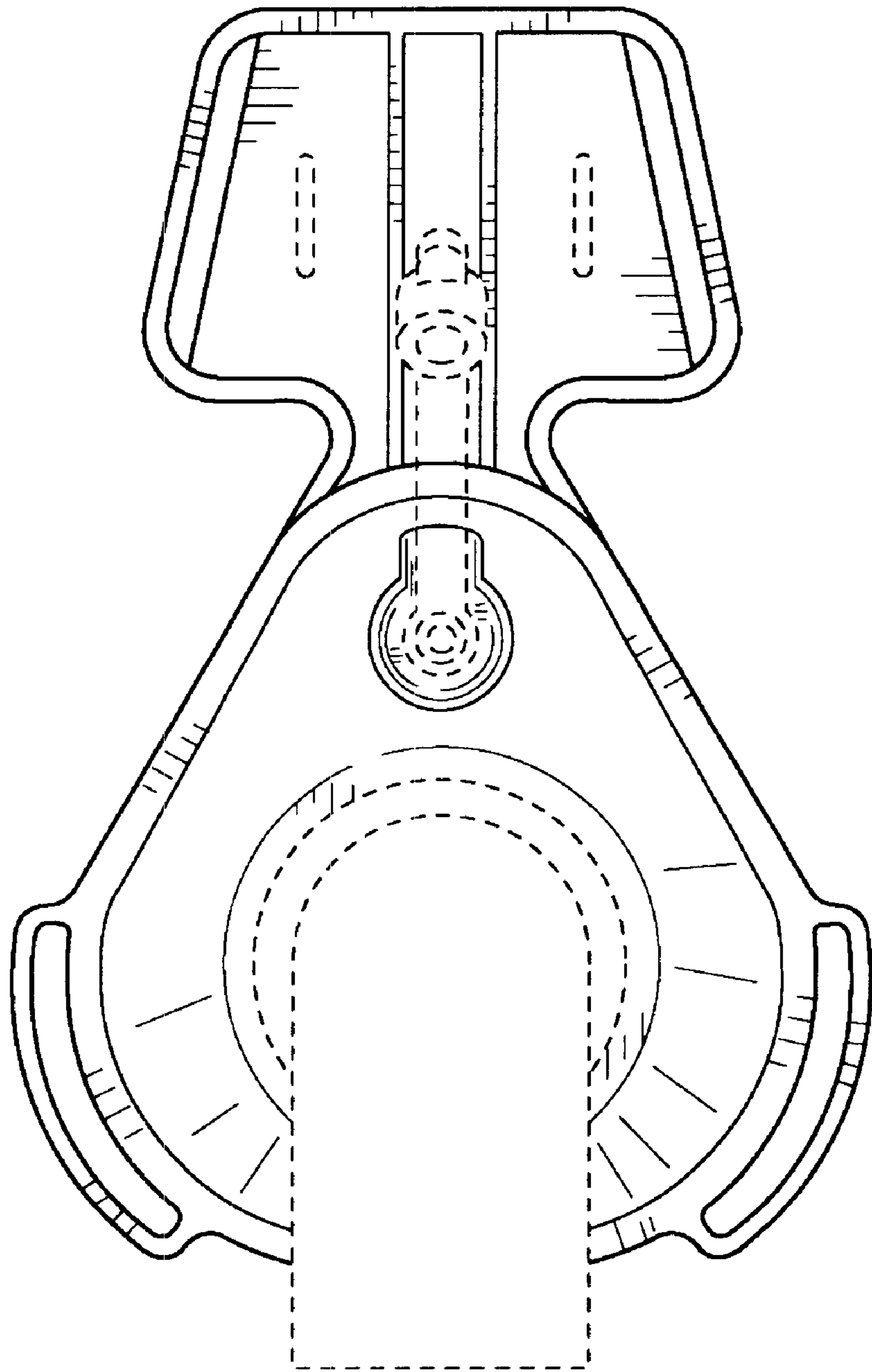


FIG. 10

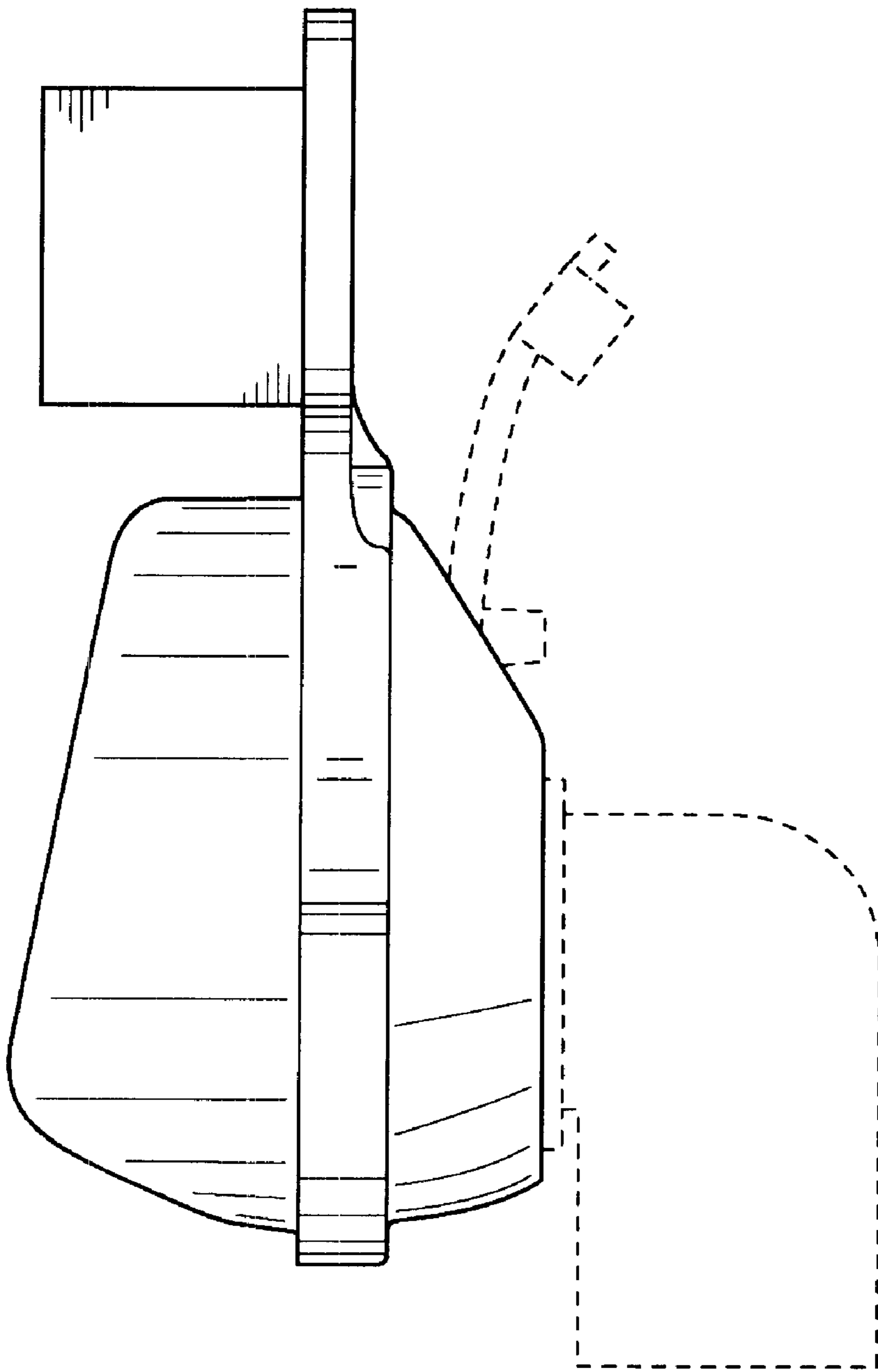


FIG. 11

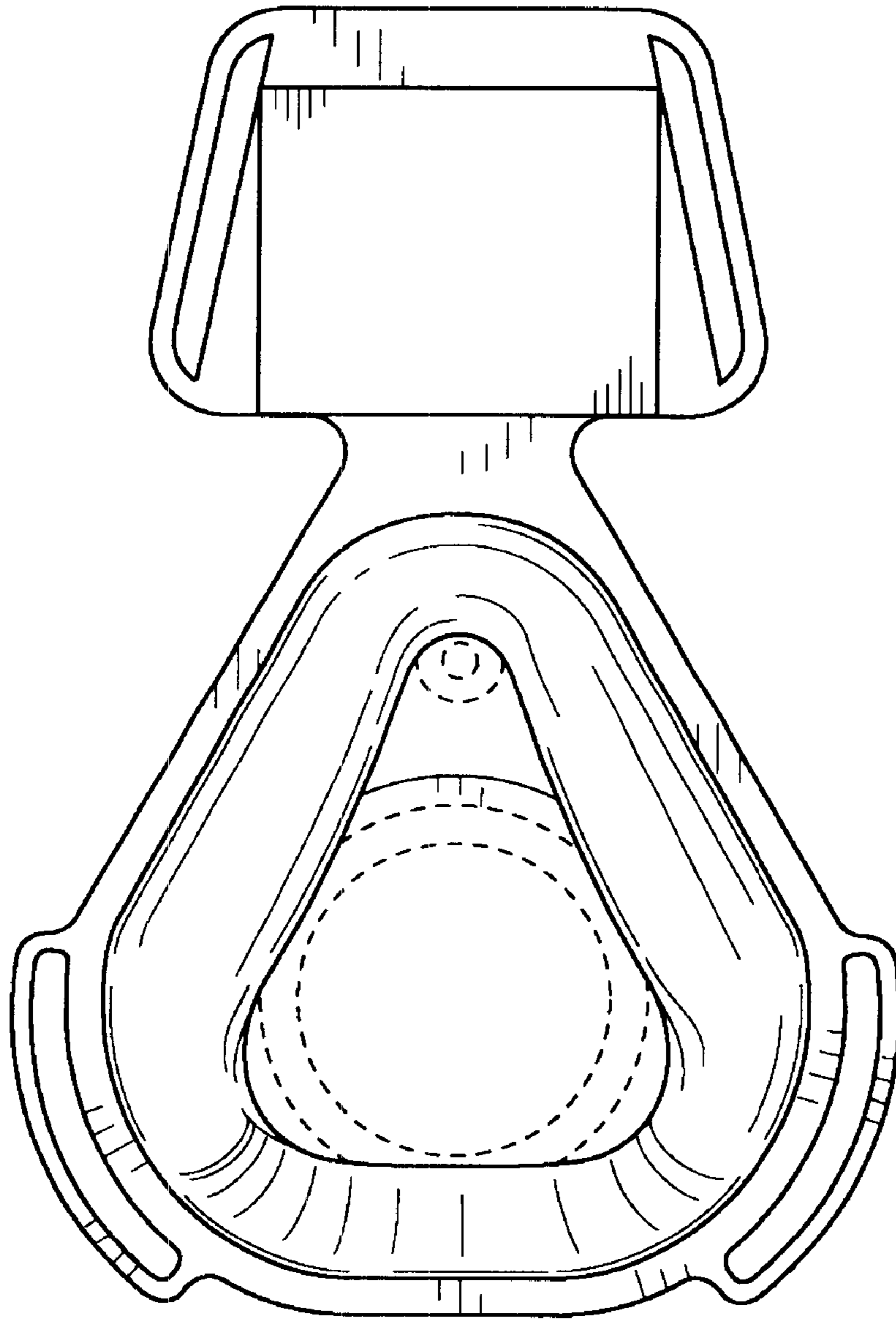


FIG. 12

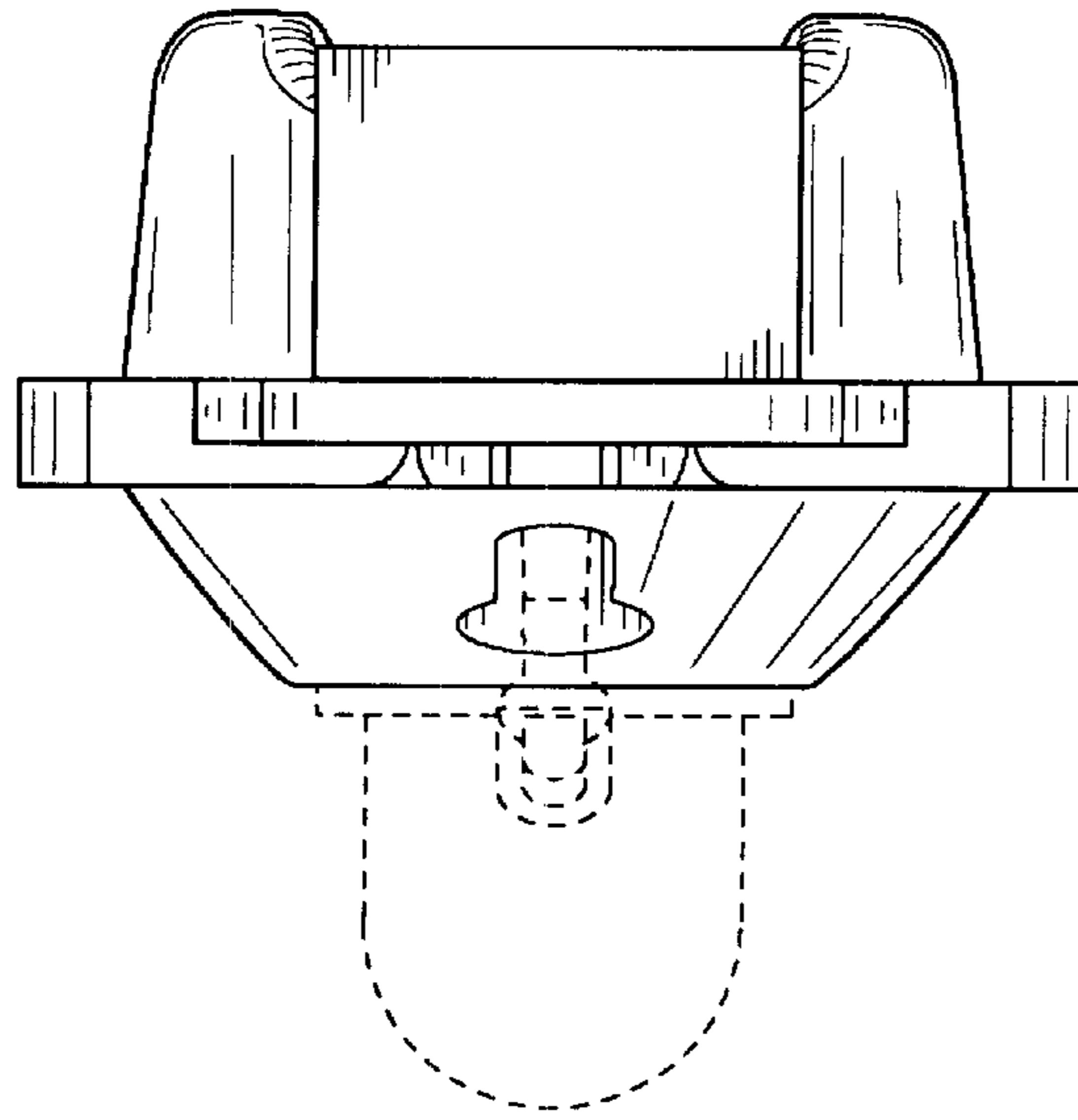


FIG. 13

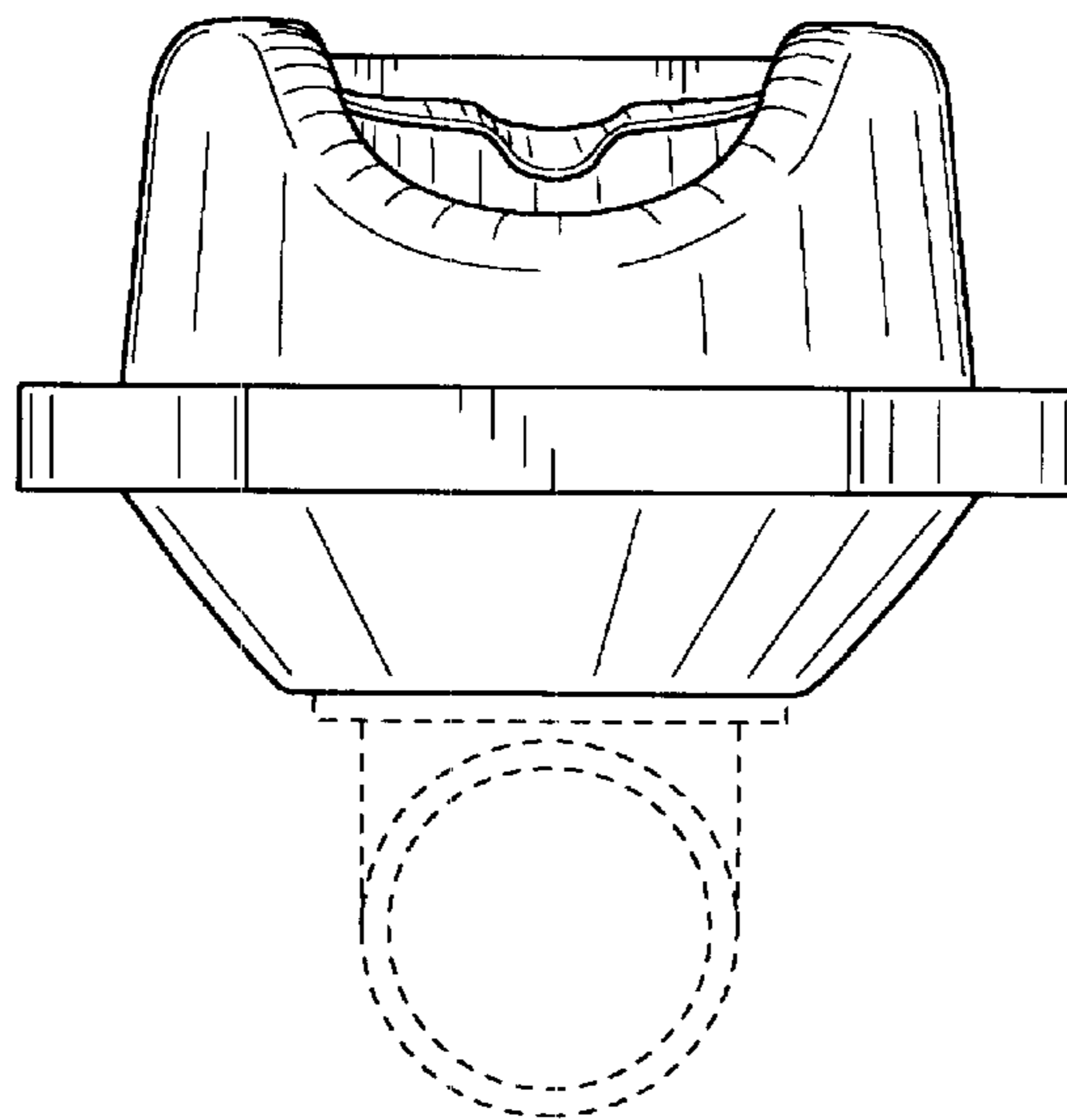


FIG. 14