



US00D457619S

(12) **United States Design Patent**  
**Hsieh**

(10) **Patent No.:** **US D457,619 S**

(45) **Date of Patent:** **\*\* May 21, 2002**

(54) **COMBINED MOTOR HOUSING, BLADE IRONS AND LIGHT FIXTURE UNIT FOR A CEILING FAN**

*Primary Examiner*—Lisa Lichtenstein  
(74) *Attorney, Agent, or Firm*—Pro-Techtor International Services

(76) **Inventor:** **Frank Hsieh**, No. 103, Ta Feng Rd., Sheng Kang Hsiang, Taichung Hsien (TW)

(57) **CLAIM**

The ornamental design for combined motor housing, blade irons and light fixture unit for a ceiling fan, as shown and described.

(\*\*) **Term:** **14 Years**

**DESCRIPTION**

(21) **Appl. No.:** **29/149,446**

FIG. 1 is a perspective view of a combined motor housing, blade irons and light fixture unit for a ceiling fan showing my new design;

(22) **Filed:** **Oct. 9, 2001**

FIG. 2 is a front view thereof;

(51) **LOC (7) Cl.** ..... **23-04**

FIG. 3 is a rear view thereof;

(52) **U.S. Cl.** ..... **D23/411**

FIG. 4 is a right view thereof;

(58) **Field of Search** ..... D23/411, 377, D23/379, 385; D26/59, 71, 81-86; 416/5

FIG. 5 is a left view thereof;

(56) **References Cited**

**U.S. PATENT DOCUMENTS**

FIG. 6 is a top view thereof;

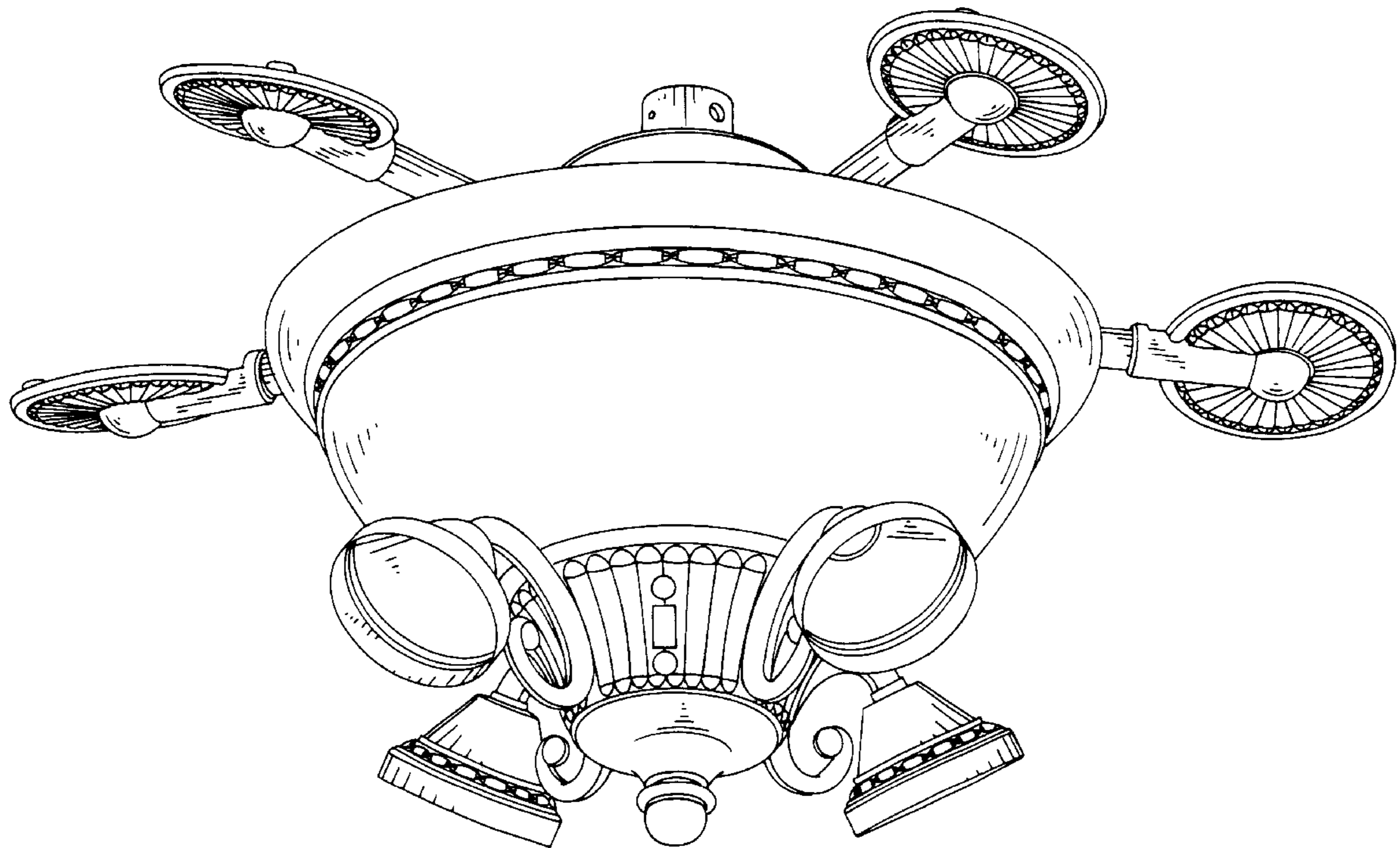
D346,210 S	*	4/1994	Holbrook	.....	D23/377
D346,651 S	*	5/1994	Dipasquale	.....	D23/377
D408,909 S	*	4/1999	Zuege	.....	D23/411
D421,115 S	*	2/2000	Gee, II	.....	D23/411
D446,851 S	*	8/2001	Lee	.....	D23/411

FIG. 7 is a bottom view thereof; and,

FIG. 8 is an applied view, of my design showing fan blade hastended to the combined motor housing, blade irons and light fixture unit for a ceiling fan.

\* cited by examiner

**1 Claim, 8 Drawing Sheets**



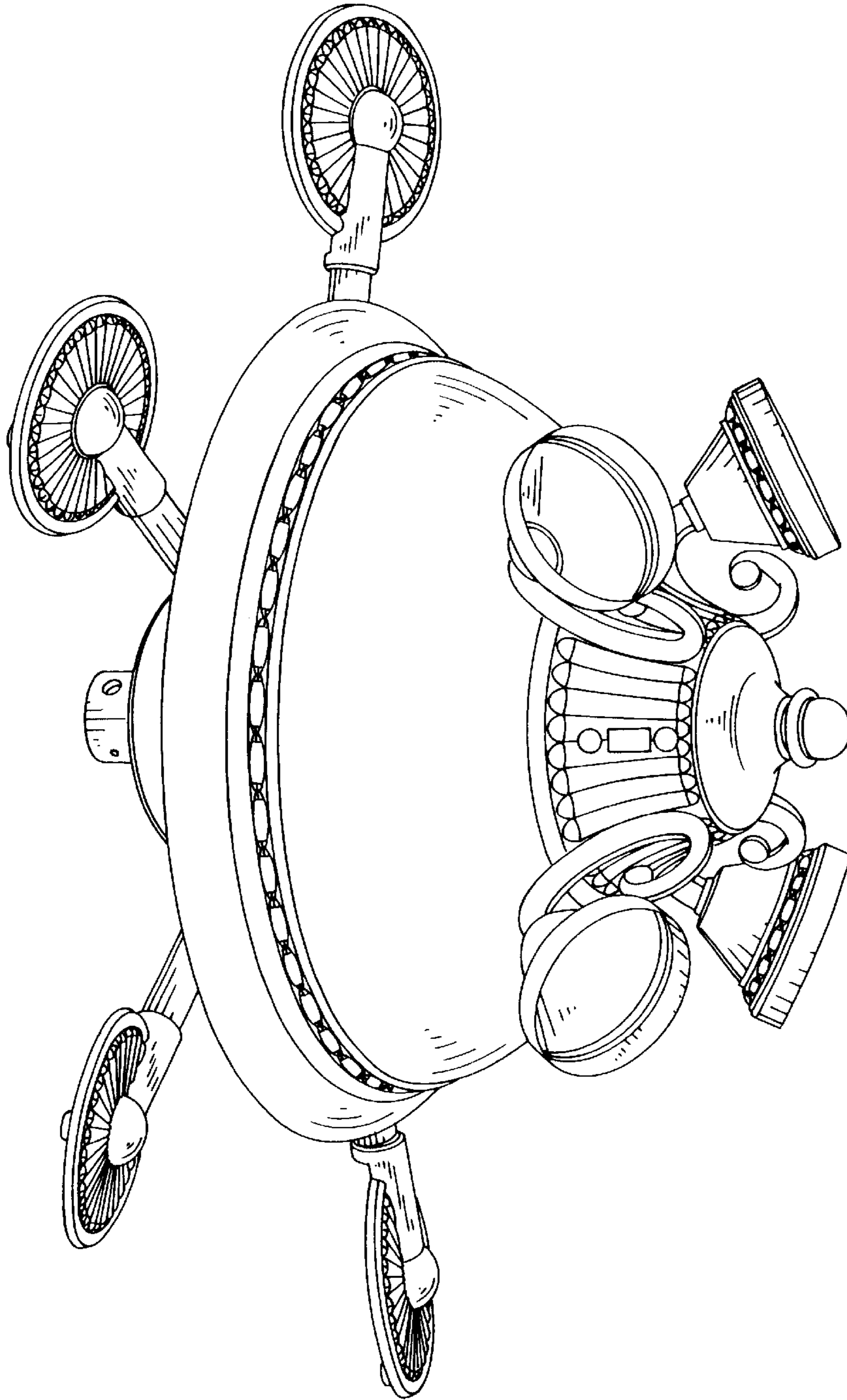


FIG. 1

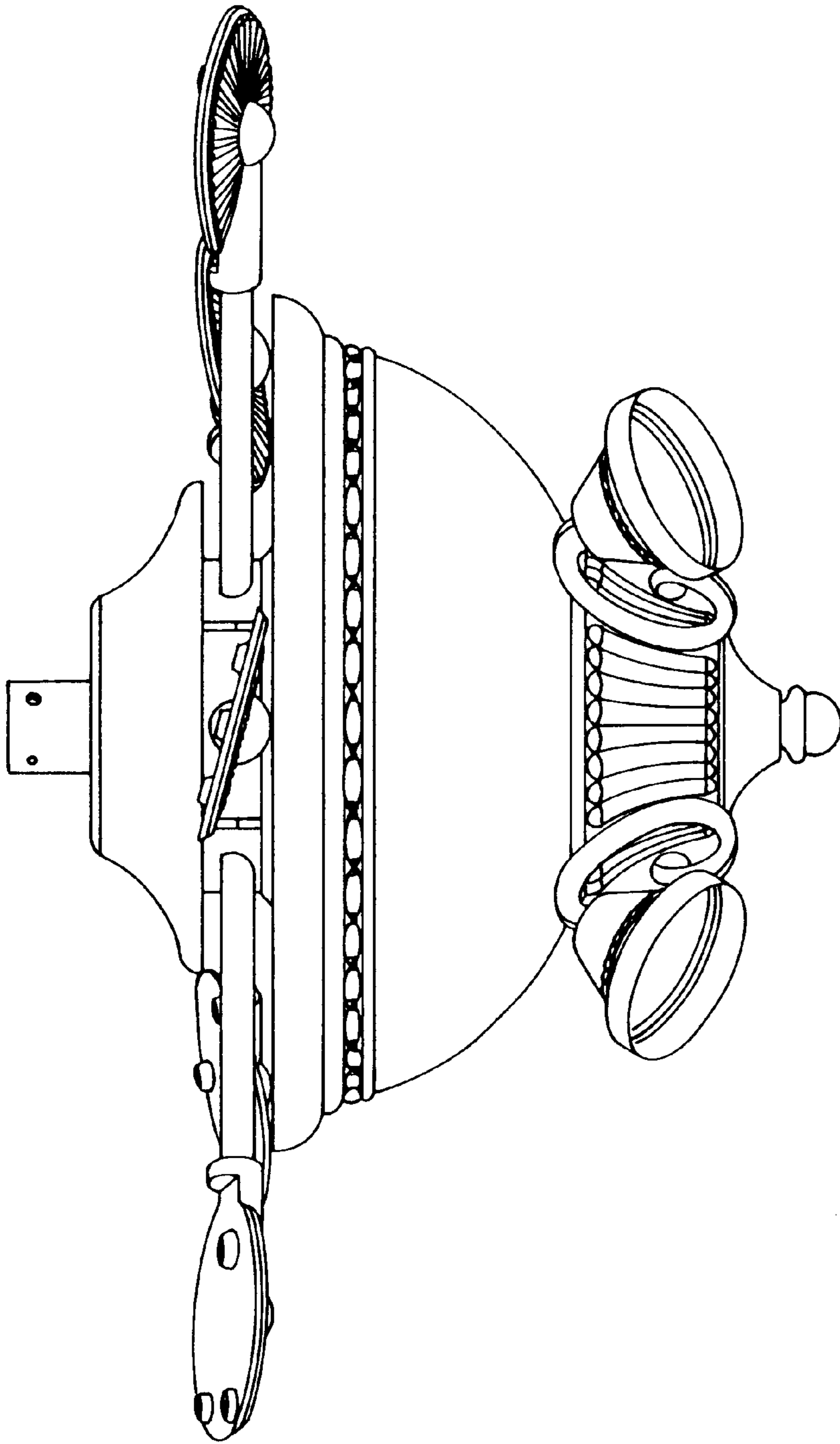


FIG. 2

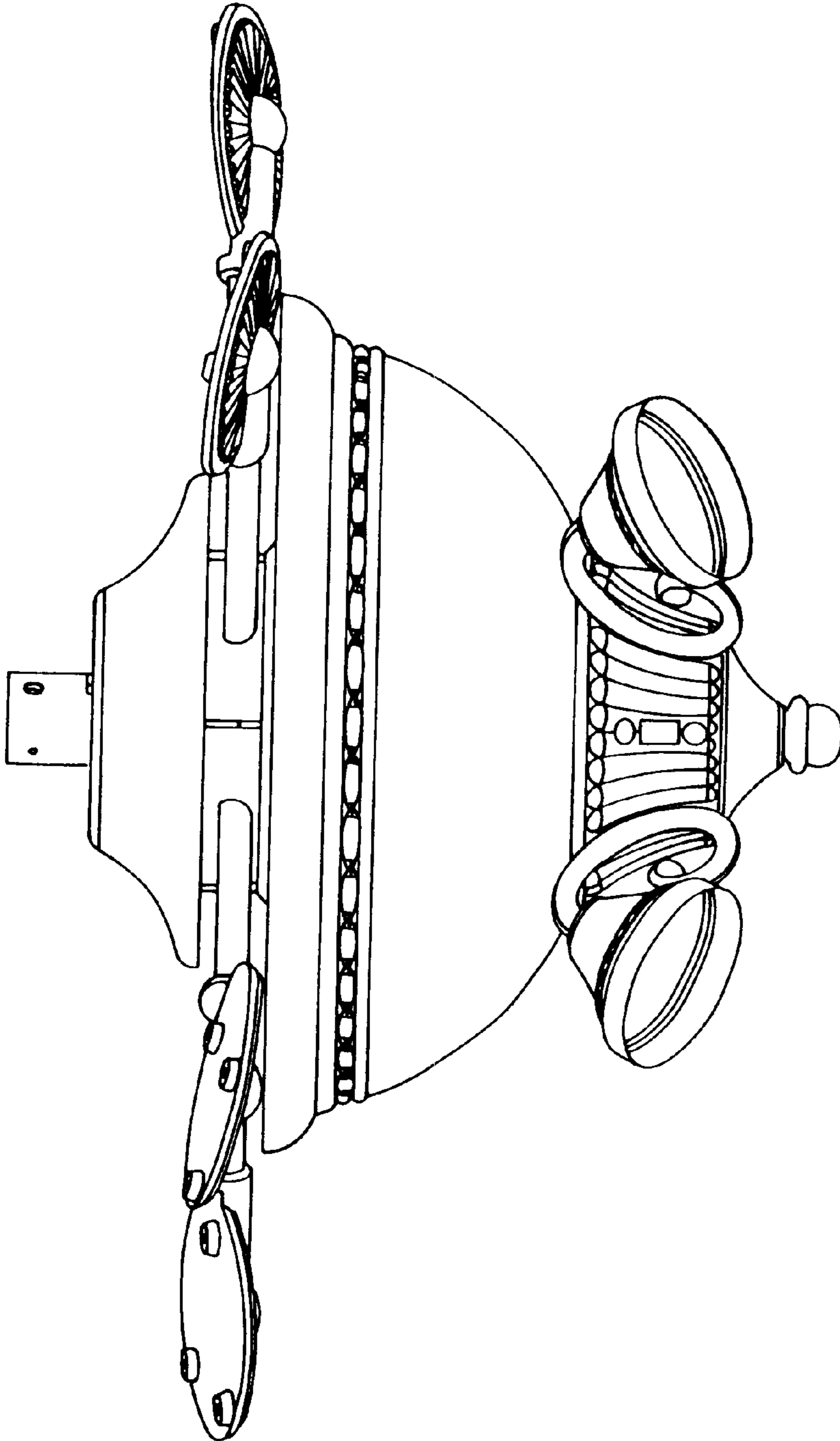


FIG. 3

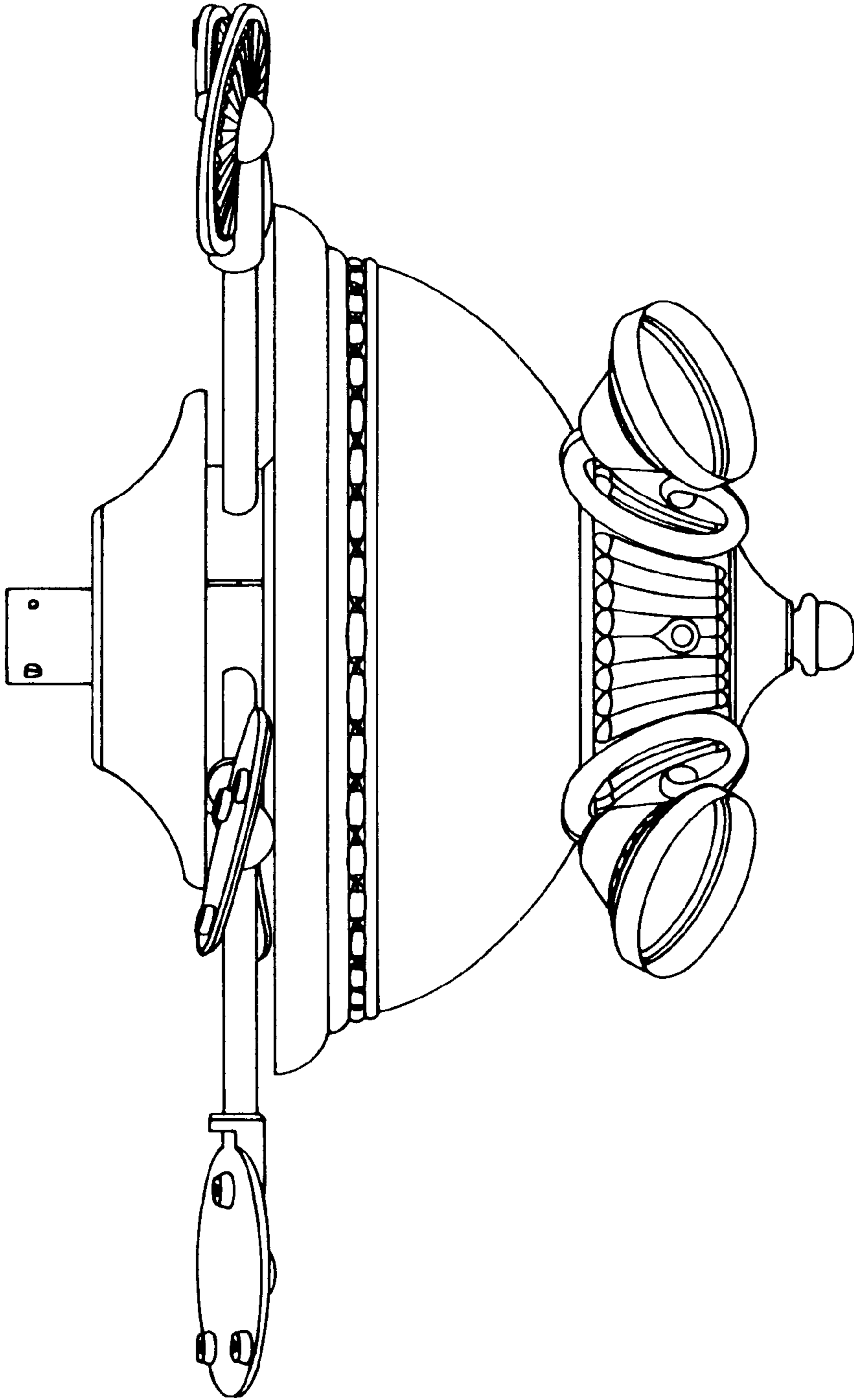


FIG. 4

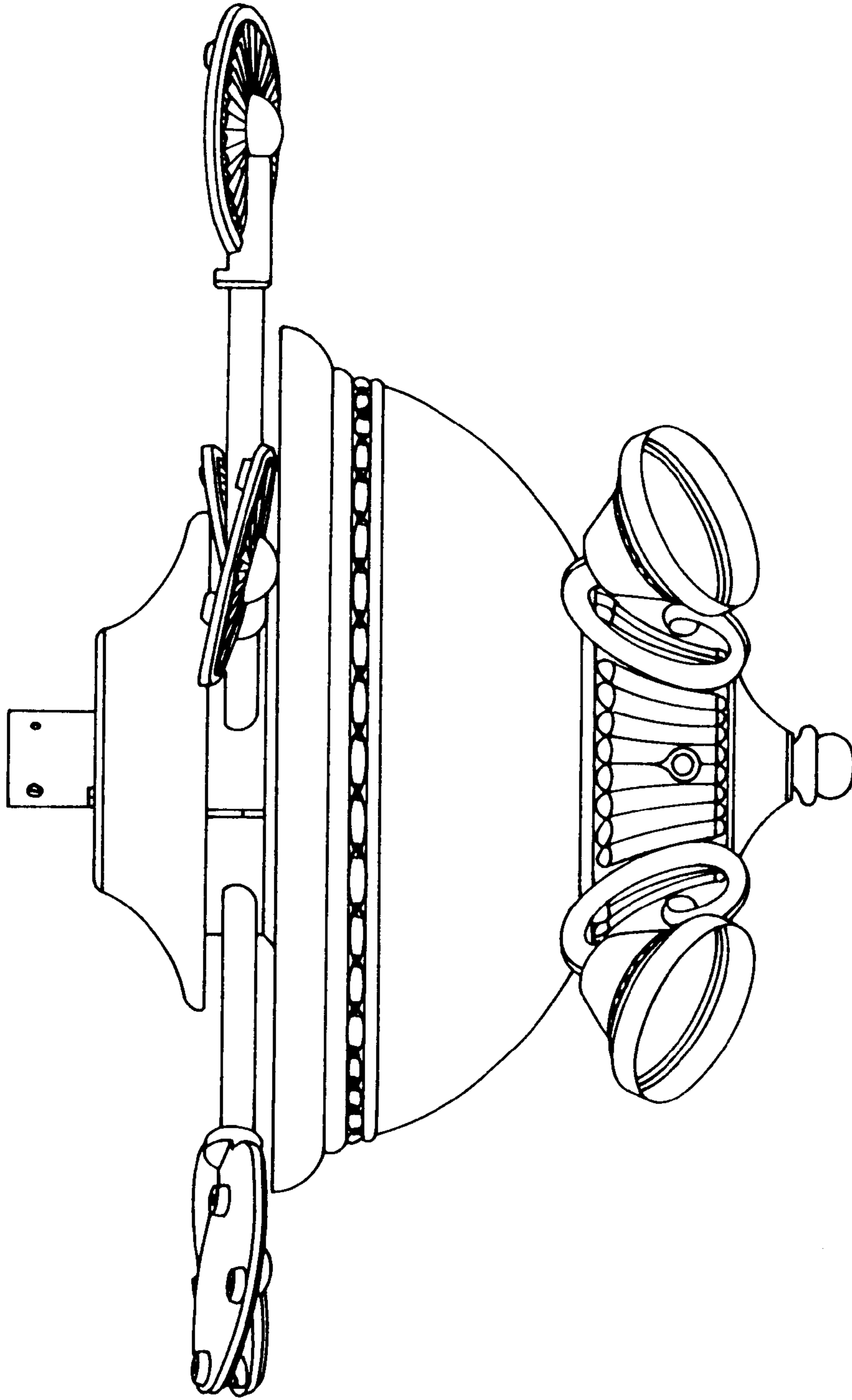
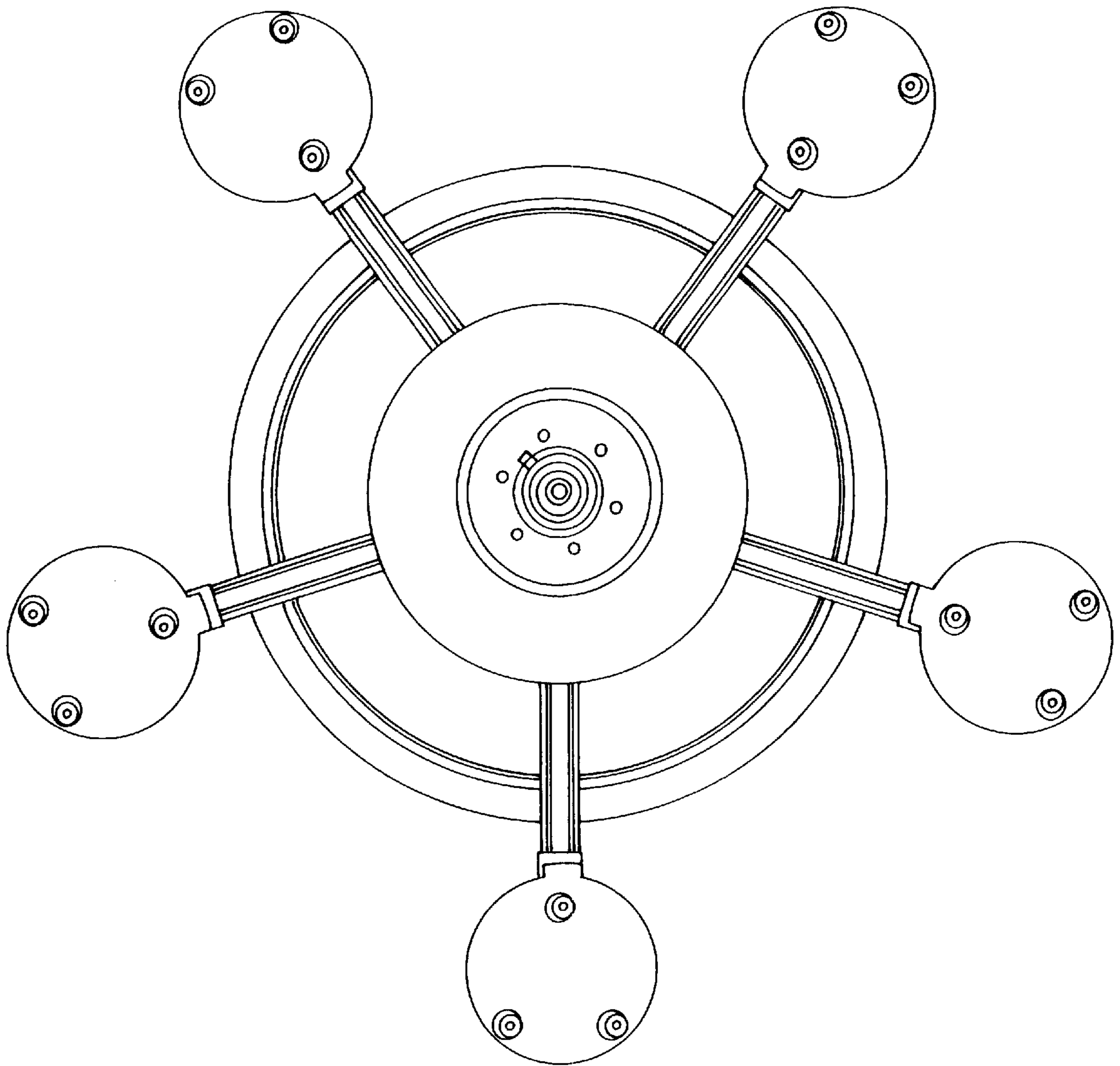
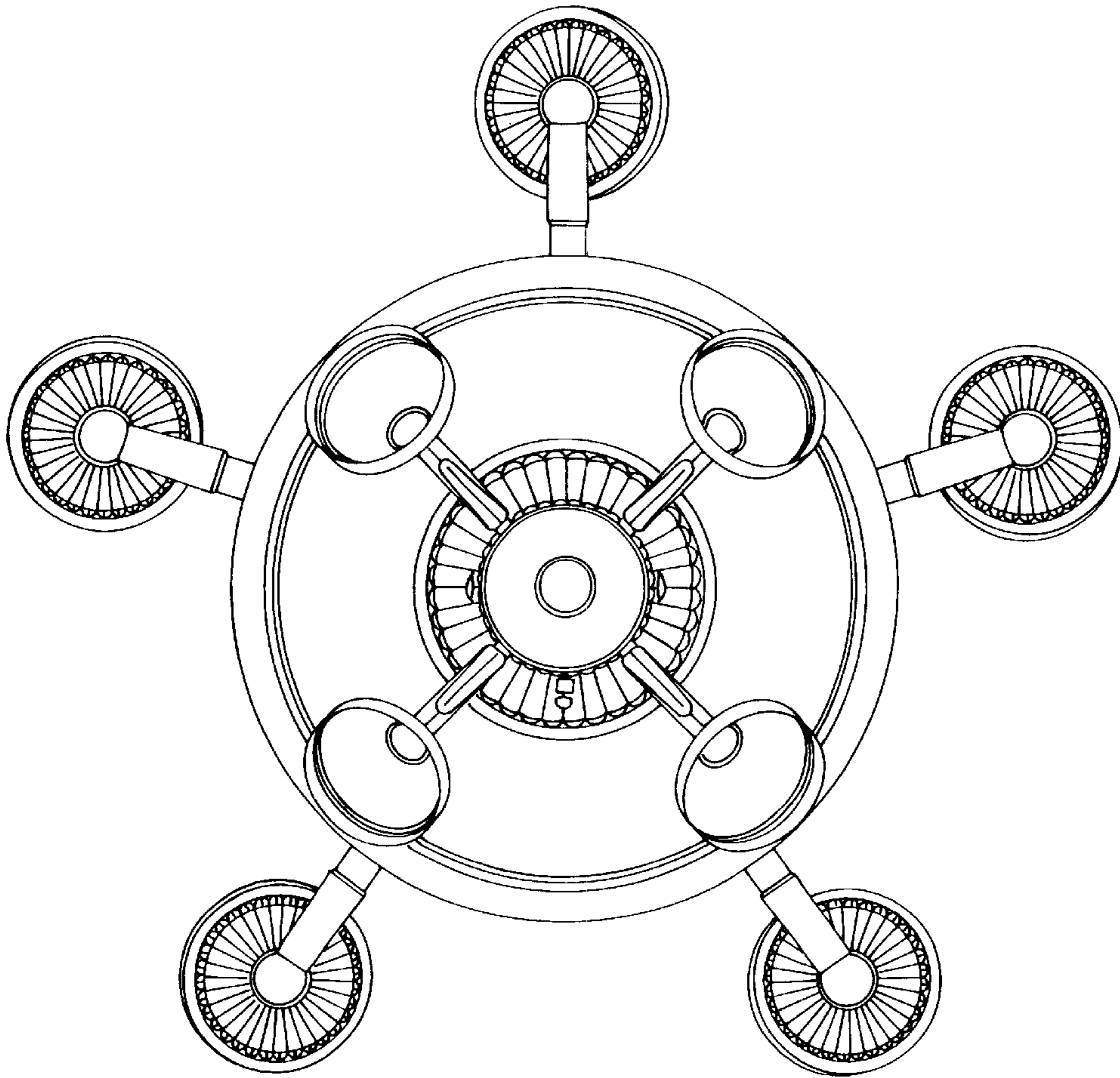


FIG. 5



**FIG. 6**



**FIG. 7**



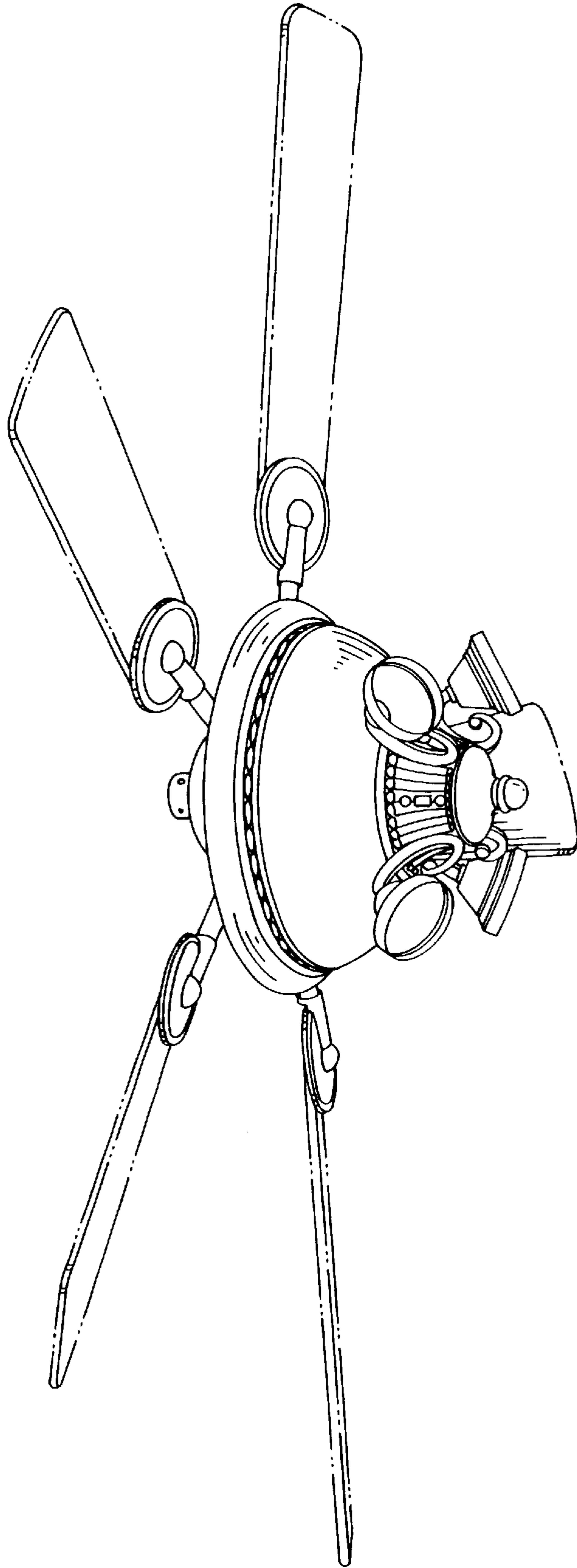


FIG. 8