



US00D457618S

(12) **United States Design Patent**  
**Lee et al.**

(10) **Patent No.:** **US D457,618 S**

(45) **Date of Patent:** **\*\* May 21, 2002**

(54) **FAN BODY**

(75) Inventors: **Don Lee**, Taipei (TW); **Kenneth Roach**, Ft. Lauderdale, FL (US)

(73) Assignee: **Atico International USA, Inc.**, Ft. Lauderdale, FL (US)

(\*\*) Term: **14 Years**

(21) Appl. No.: **29/118,408**

(22) Filed: **Feb. 8, 2000**

(51) **LOC (7) Cl.** ..... **23-04**

(52) **U.S. Cl.** ..... **D23/382**

(58) **Field of Search** ..... D23/411, 382,  
D23/381, 370, 332, 413; 416/247 R, 246,  
244 R

(56) **References Cited**

**U.S. PATENT DOCUMENTS**

D294,968 S	3/1988	Shin-Chin
D295,070 S	4/1988	Shin-Chin
D306,903 S	3/1990	Shin-Chin
D309,944 S	8/1990	Chiu
D336,512 S	6/1993	Cunning
D354,127 S	1/1995	Cunning
D397,192 S	8/1998	Chiu et al.

D397,417 S	8/1998	Jané et al.
D397,779 S	9/1998	Marvin
D398,982 S	9/1998	Jané et al.
D402,363 S	12/1998	Birdsell et al.
D423,663 S	4/2000	Rossman et al.

*Primary Examiner*—Lisa Lichtenstein  
(74) *Attorney, Agent, or Firm*—Cobrin & Gittes

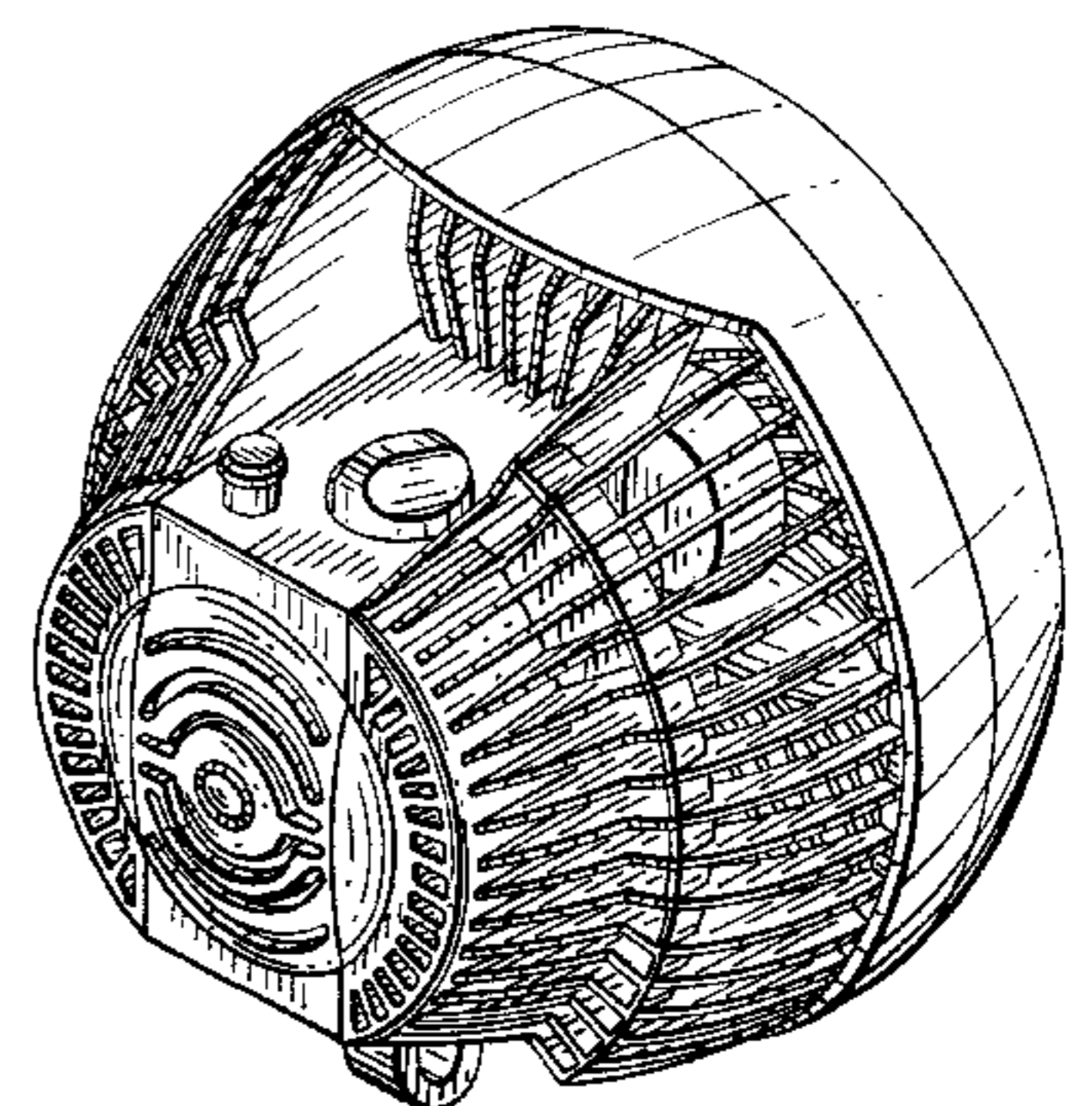
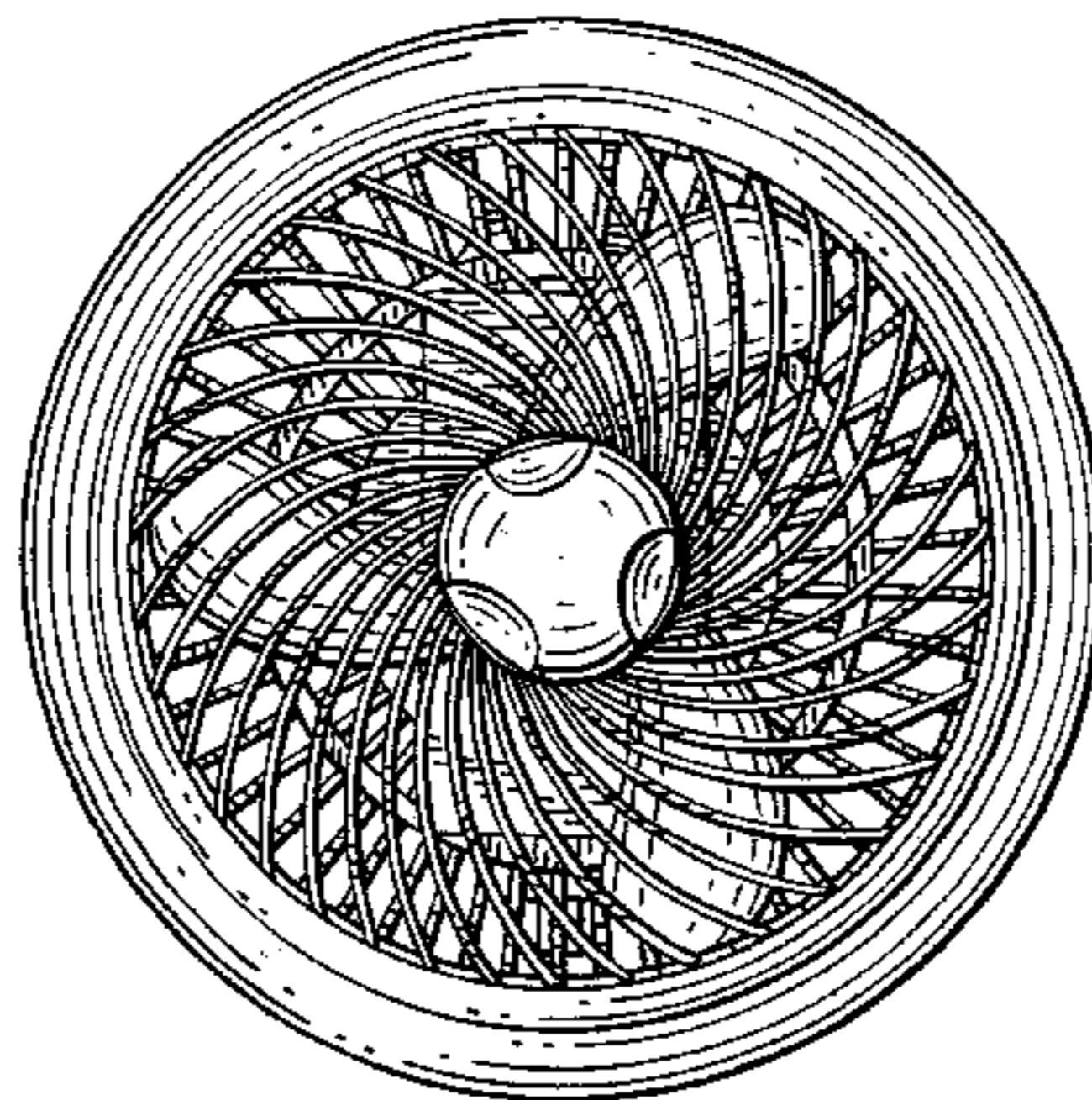
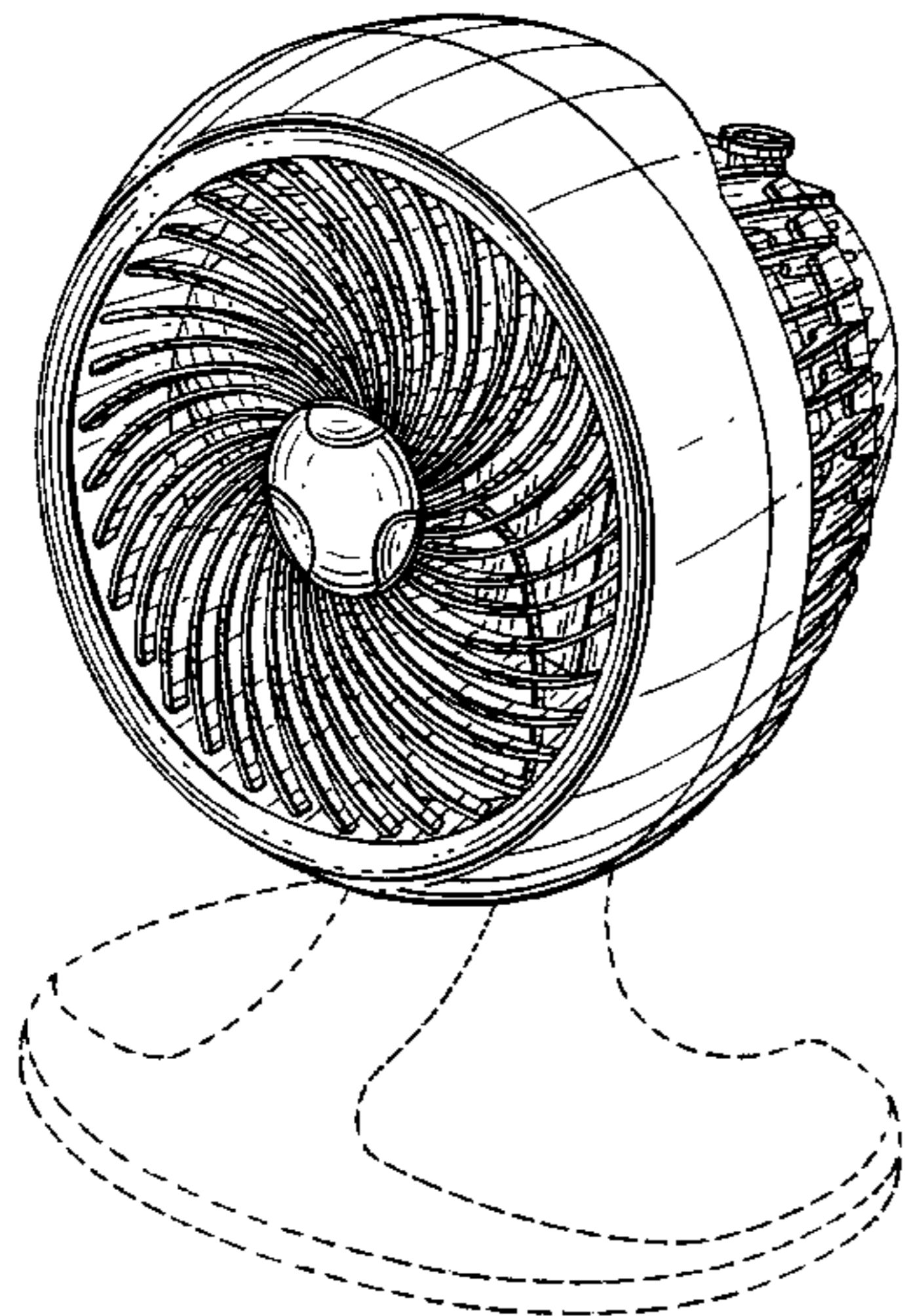
(57) **CLAIM**

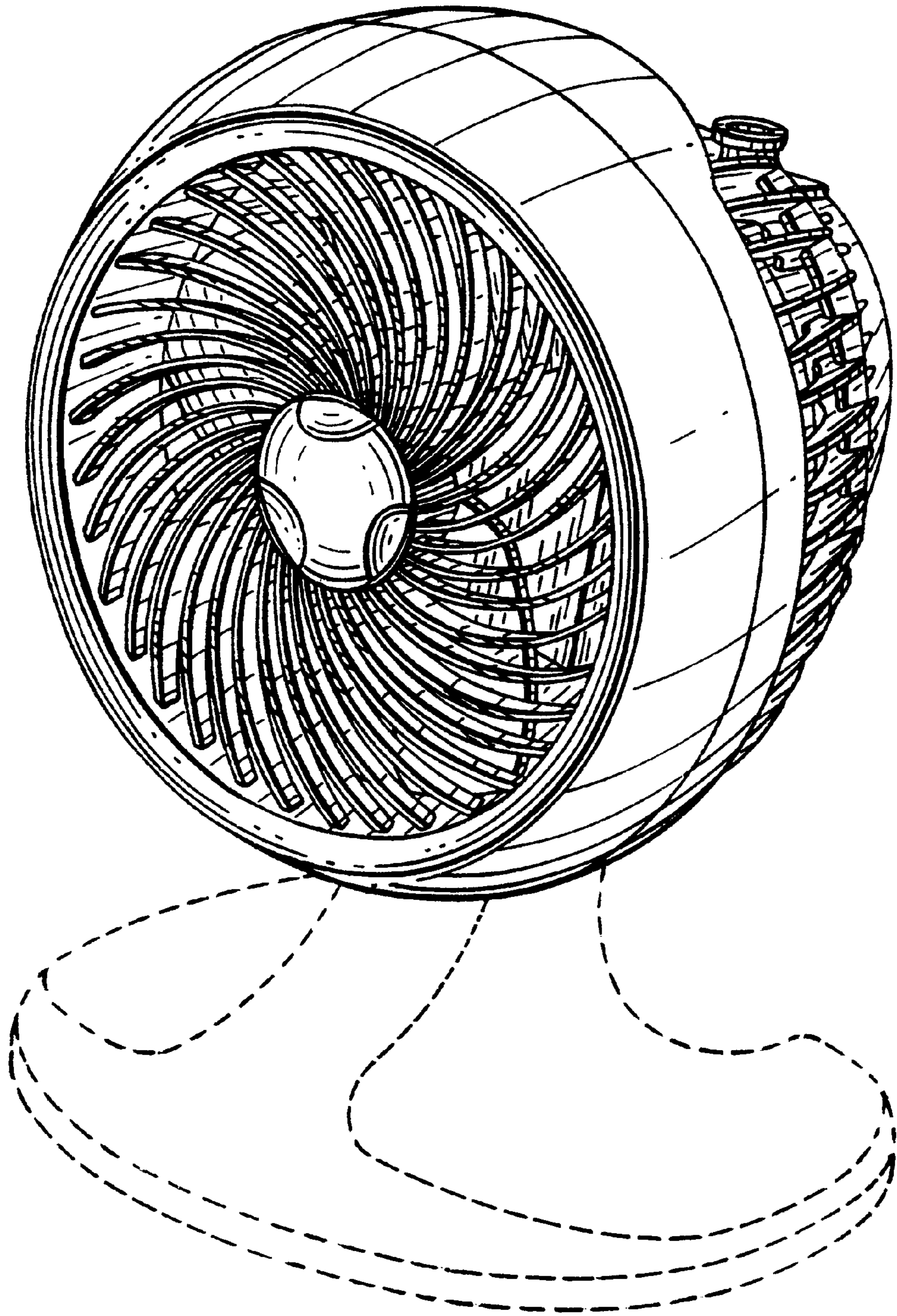
The ornamental design for a fan body, as shown and described.

**DESCRIPTION**

FIG. 1 is a top, front and right side perspective view of a fan body in accordance with our invention;  
FIG. 2 is a top plan view thereof;  
FIG. 3 is a front view thereof;  
FIG. 4 is a right side view thereof that is identical/symmetrical to the left side thereof;  
FIG. 5 is a rear view thereof;  
FIG. 6 is a bottom plan view thereof; and,  
FIG. 7 is a top, rear and left side perspective view thereof. The broken line showing of environmental structure in FIG. 1 is for illustrative purposes only and forms no part of the claimed design.

**1 Claim, 4 Drawing Sheets**

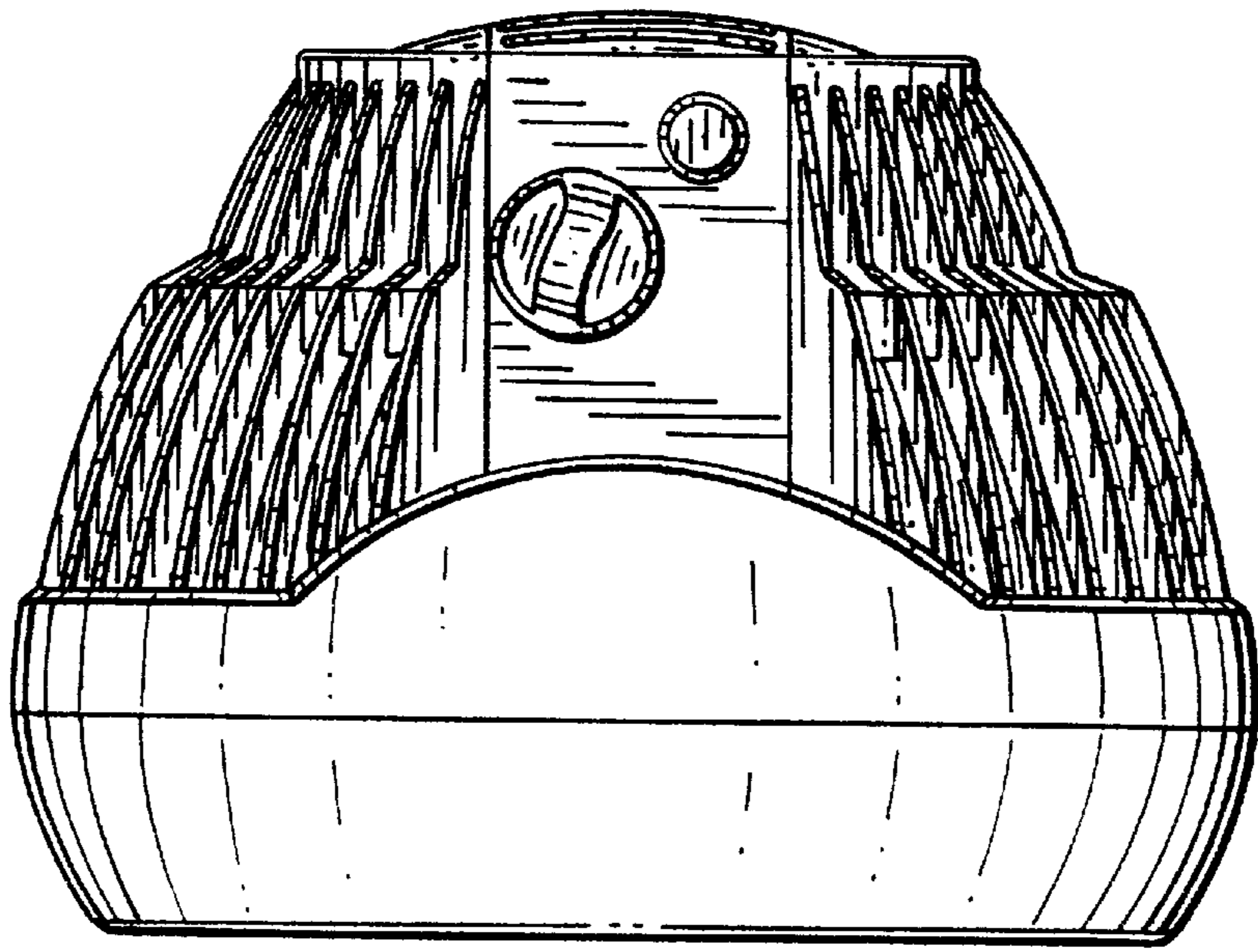




*FIG. 1*



*FIG. 2*



*FIG. 3*

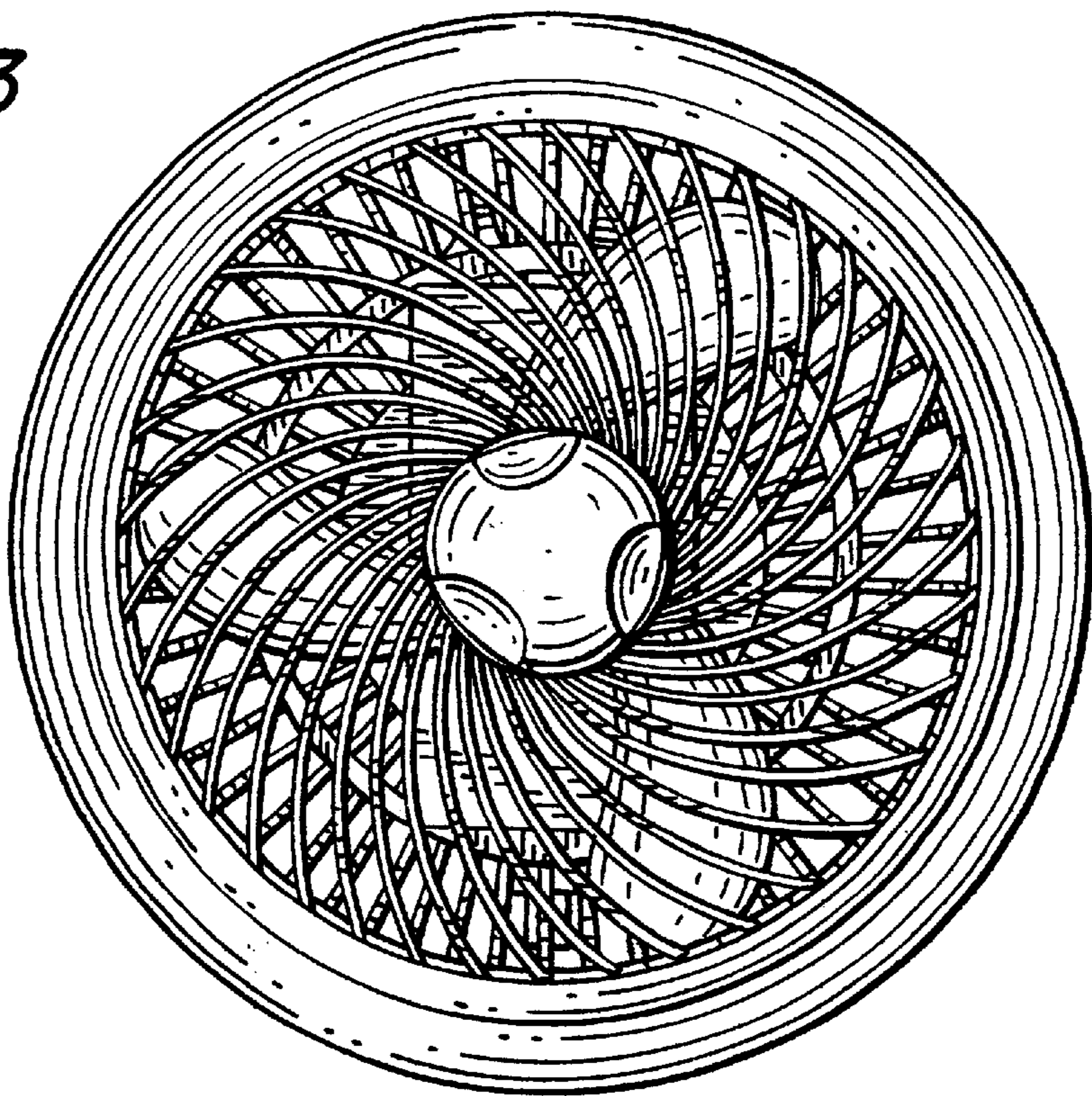


FIG. 5

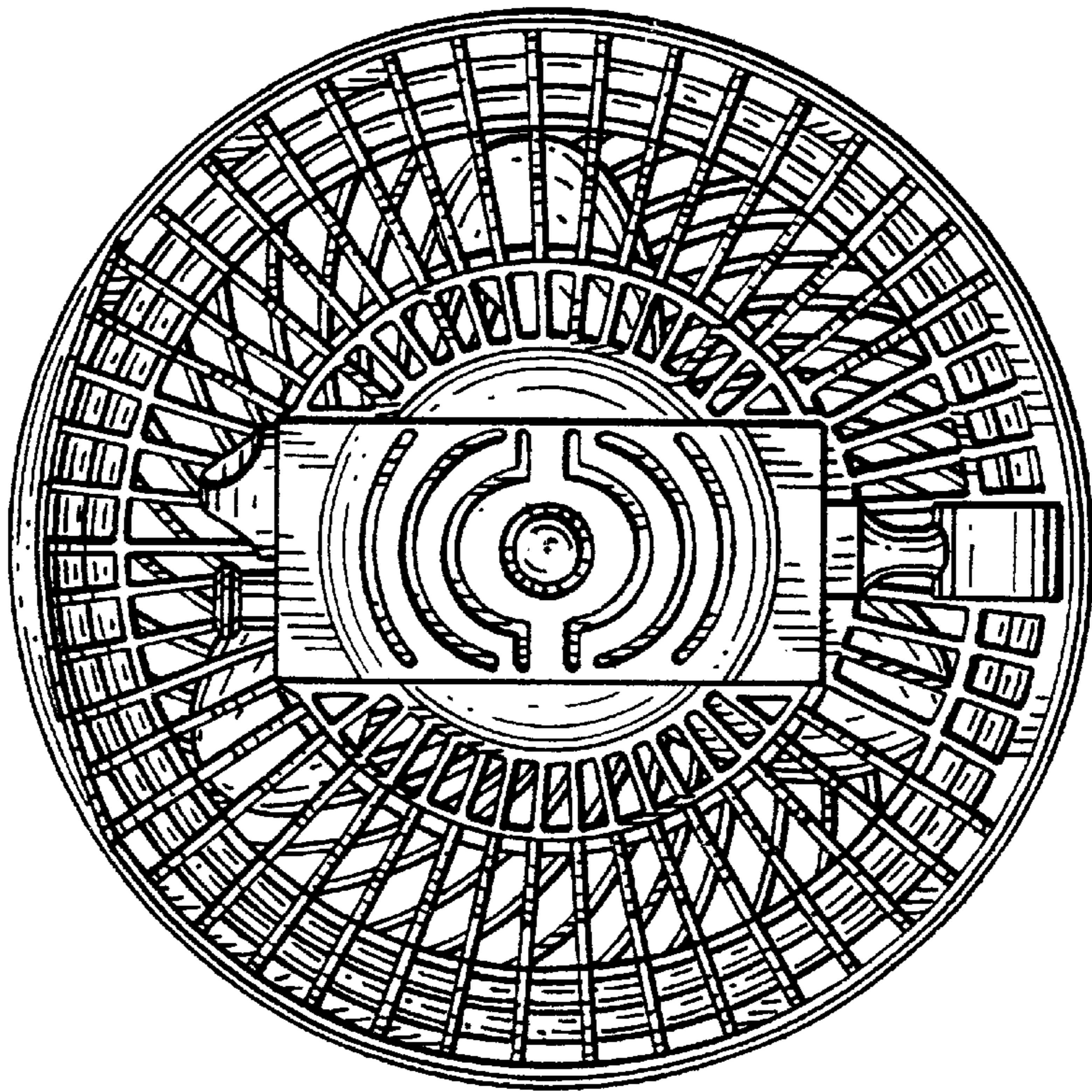
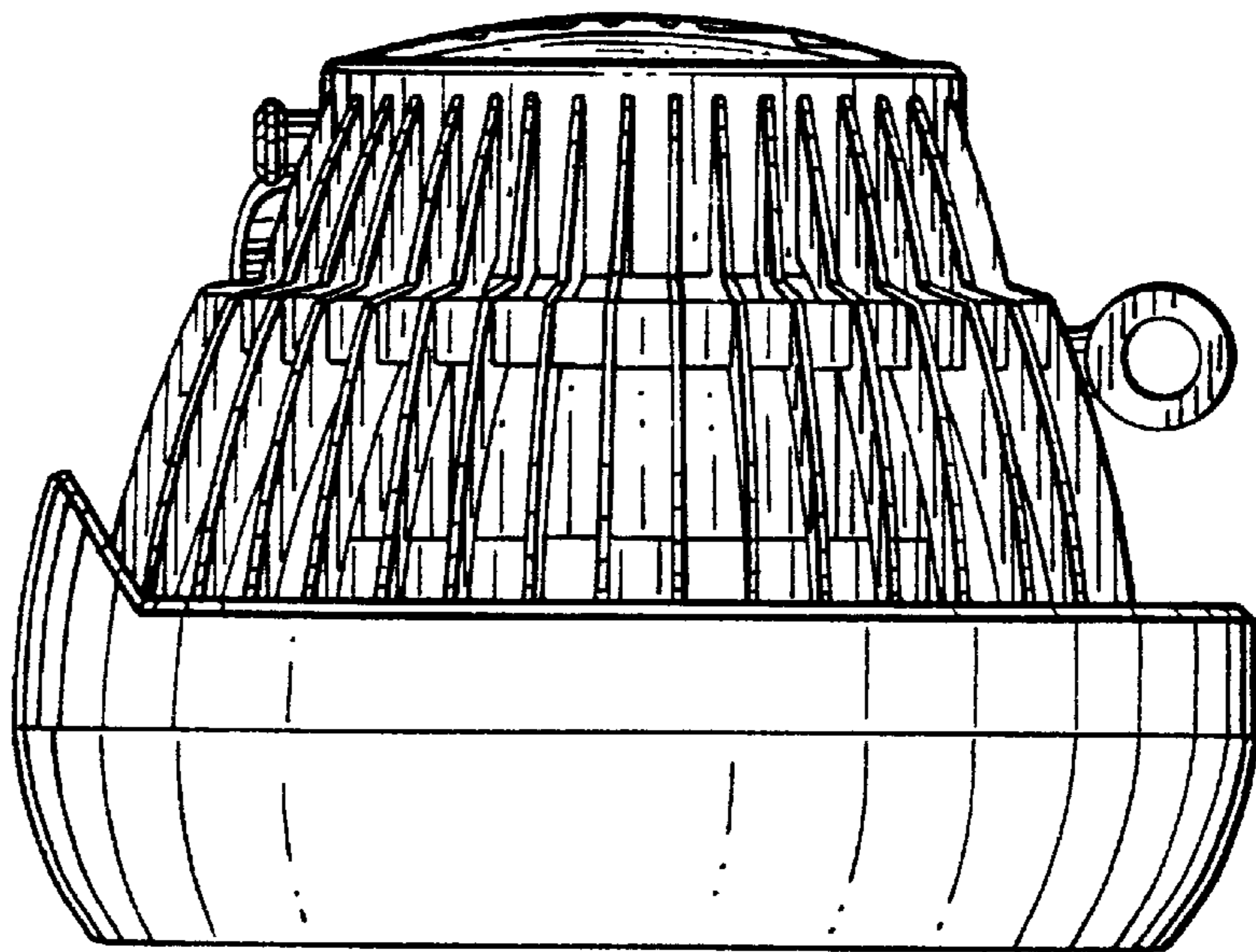
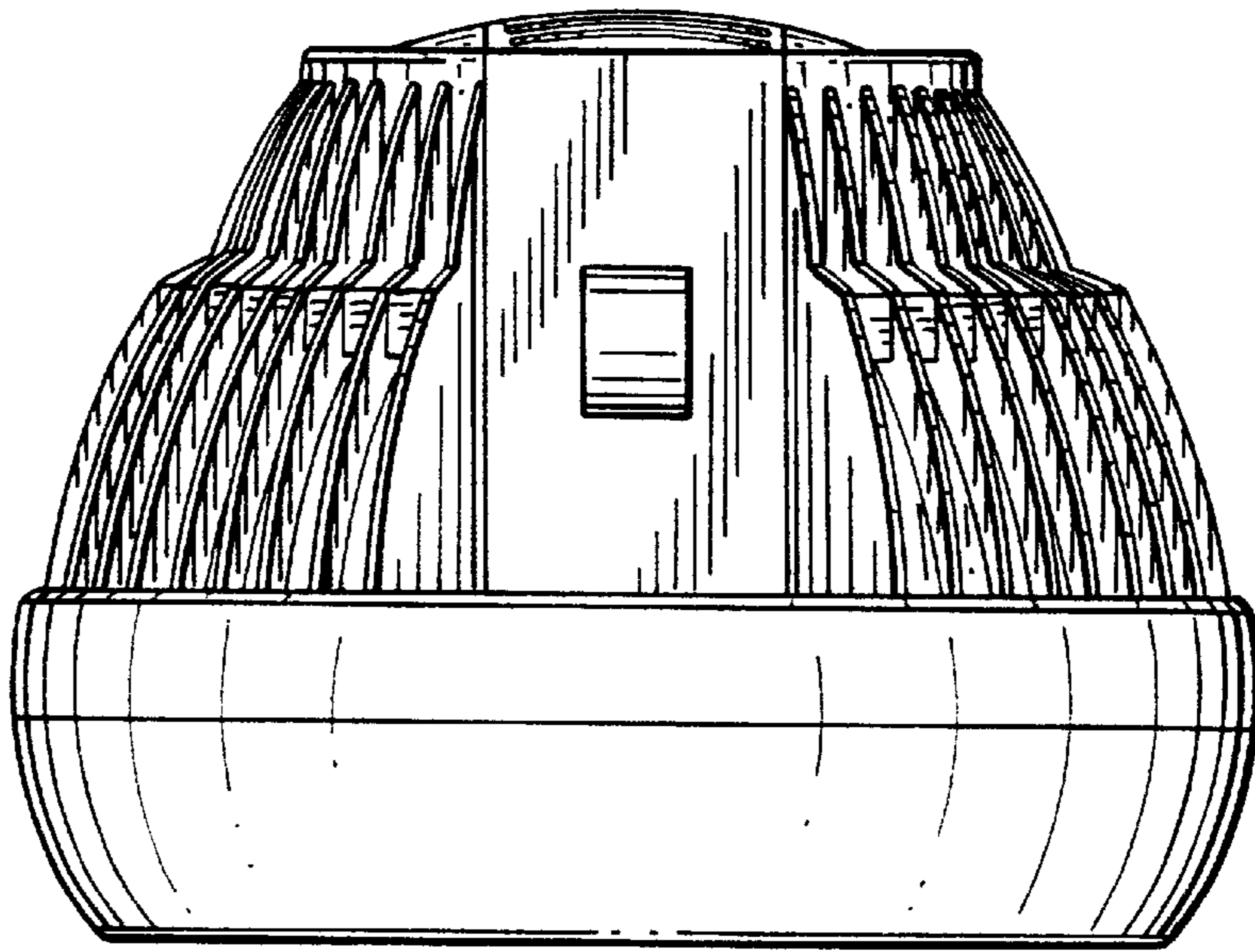


FIG. 4





*FIG. 6*



*FIG. 7*

