



US00D457615S

(12) **United States Design Patent**  
**Schmidt et al.**

(10) **Patent No.:** **US D457,615 S**

(45) **Date of Patent:** **\*\* May 21, 2002**

(54) **HEATING APPARATUS**

(75) **Inventors:** **Frank T. Schmidt**, Mulvane; **Gary P. Israel**, Andover, both of KS (US);  
**Vernon Svitak**, Scottsdale, AZ (US);  
**David Linnebur**, Derby, KS (US)

(73) **Assignee:** **The Coleman Company, Inc.**, Wichita, KS (US)

(\*\*) **Term:** **14 Years**

(21) **Appl. No.:** **29/127,807**

(22) **Filed:** **Aug. 11, 2000**

(51) **LOC (7) Cl.** ..... **23-03**

(52) **U.S. Cl.** ..... **D23/336; D23/339**

(58) **Field of Search** ..... D23/314, 332,  
D23/335, 336, 339; 126/85 R, 90 R, 92 B;  
431/344

(56) **References Cited**

**U.S. PATENT DOCUMENTS**

- 3,139,879 A \* 7/1964 Bauer et al.
- 3,179,156 A \* 4/1965 Weiss et al.
- 3,540,429 A \* 11/1970 Svensson
- 3,590,806 A \* 7/1971 Locke

- 3,852,025 A \* 12/1974 Placek
- D243,694 S \* 3/1977 Faulkner
- 4,782,814 A \* 11/1988 Cherryholmes
- D429,803 S \* 8/2000 Schmidt

\* cited by examiner

*Primary Examiner*—B. J. Bullock

(74) *Attorney, Agent, or Firm*—Kramer, Levin, Naftalis & Frankel LLP

(57) **CLAIM**

The ornamental design for a heating apparatus, as shown and described.

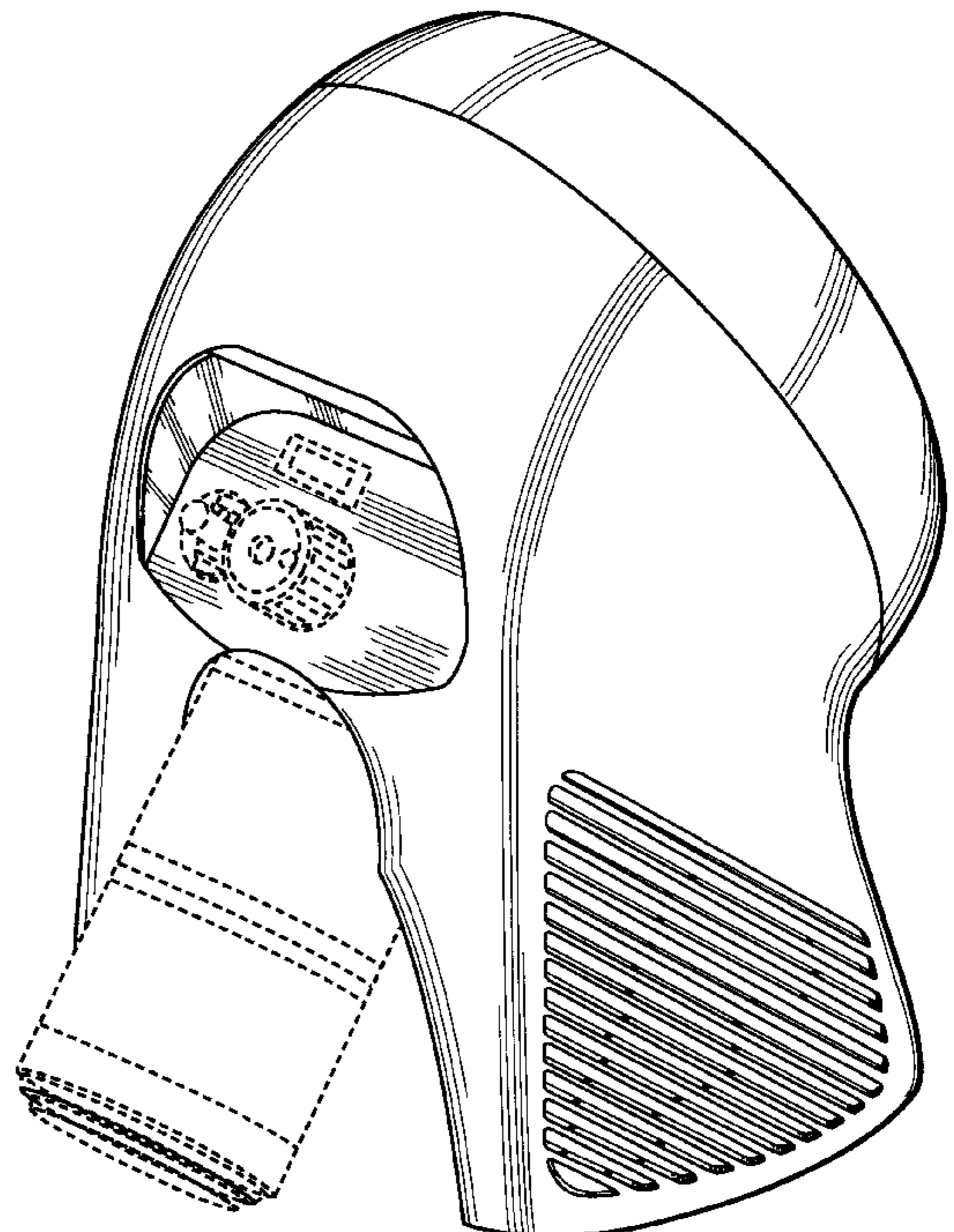
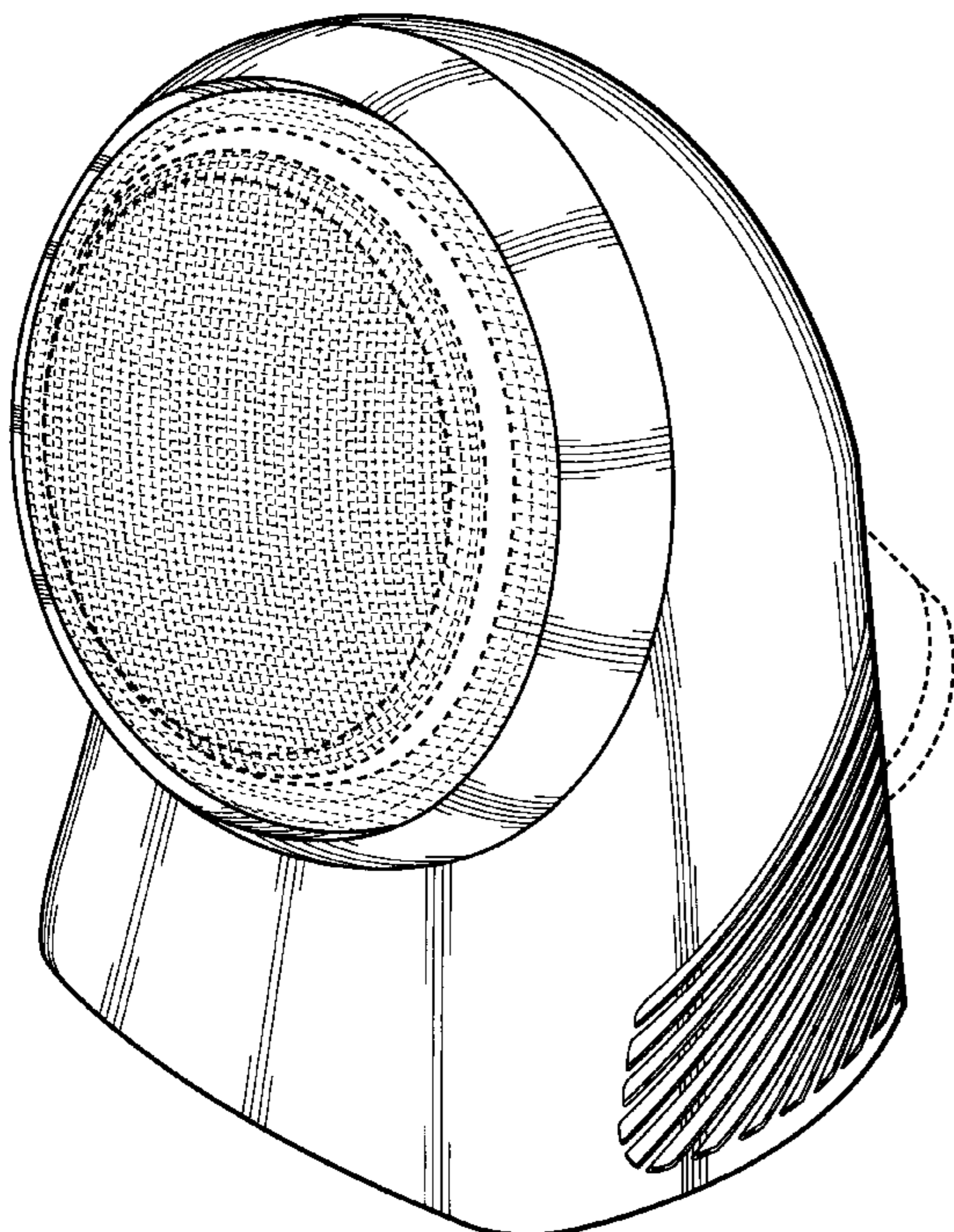
**DESCRIPTION**

FIG. 1 is a front perspective view showing the new design; FIG. 2 is a rear perspective view thereof; FIG. 3 is a front elevation view thereof; FIG. 4 is a rear elevation view thereof; FIG. 5 is a side elevation view thereof; FIG. 6 is the opposite side elevation view of FIG. 5; and, FIG. 7 is a top plan view thereof.

The broken lines shown in the drawings identify in phantom environmental structure or boundaries that are not claimed as part of the design to be patented.

FIGS. 2–7 are shown on an enlarged scale.

**1 Claim, 7 Drawing Sheets**



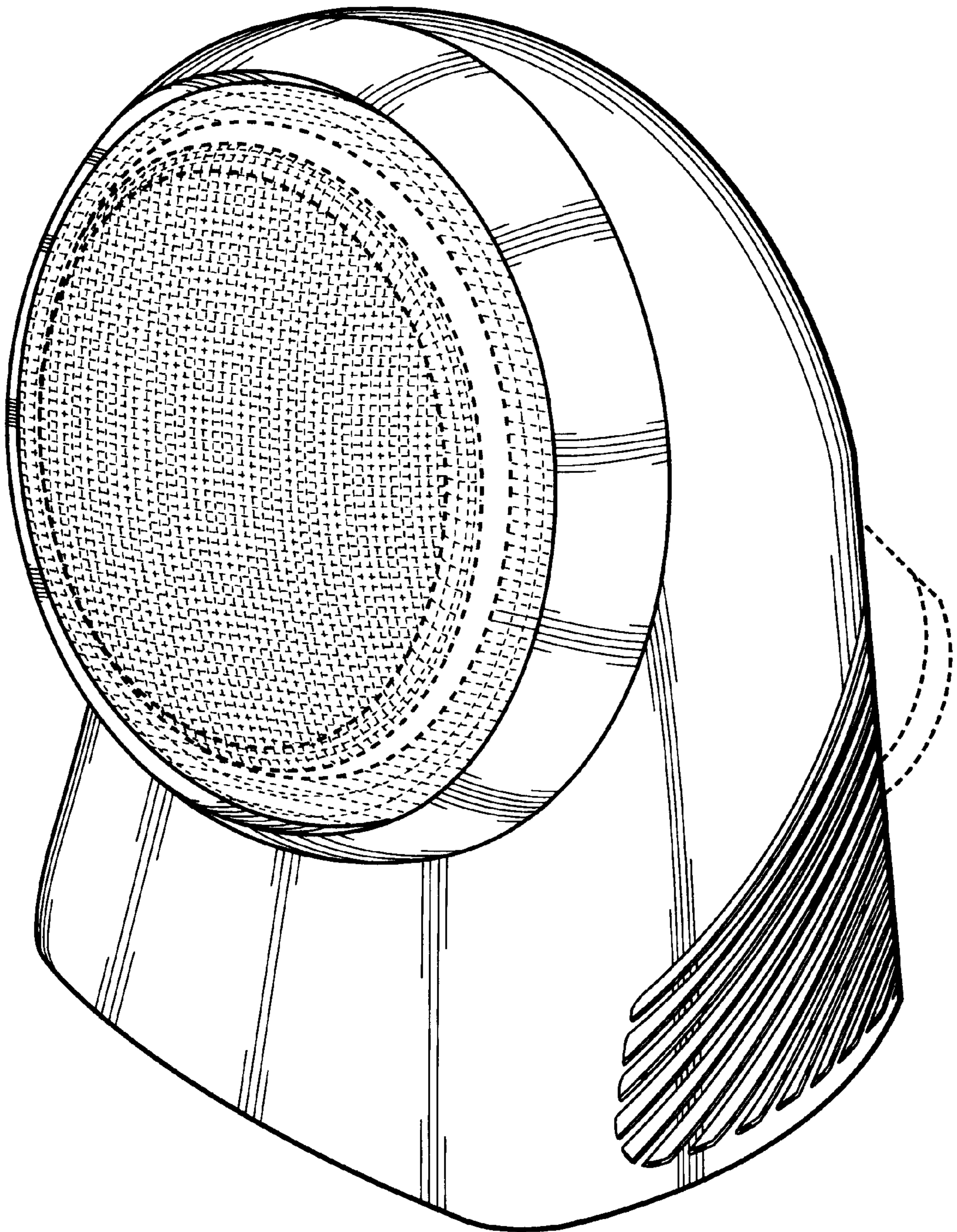


FIG. 1

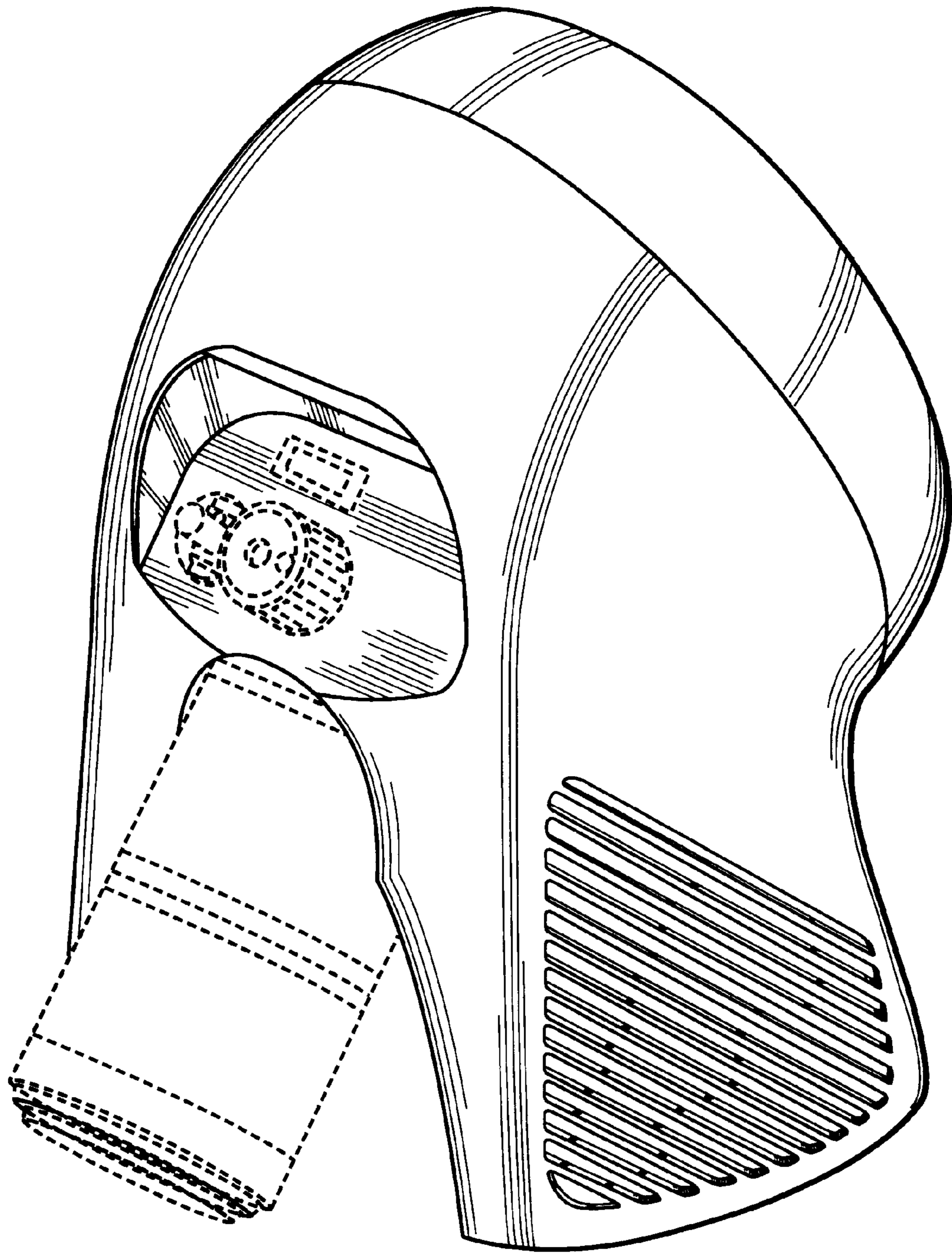


FIG. 2

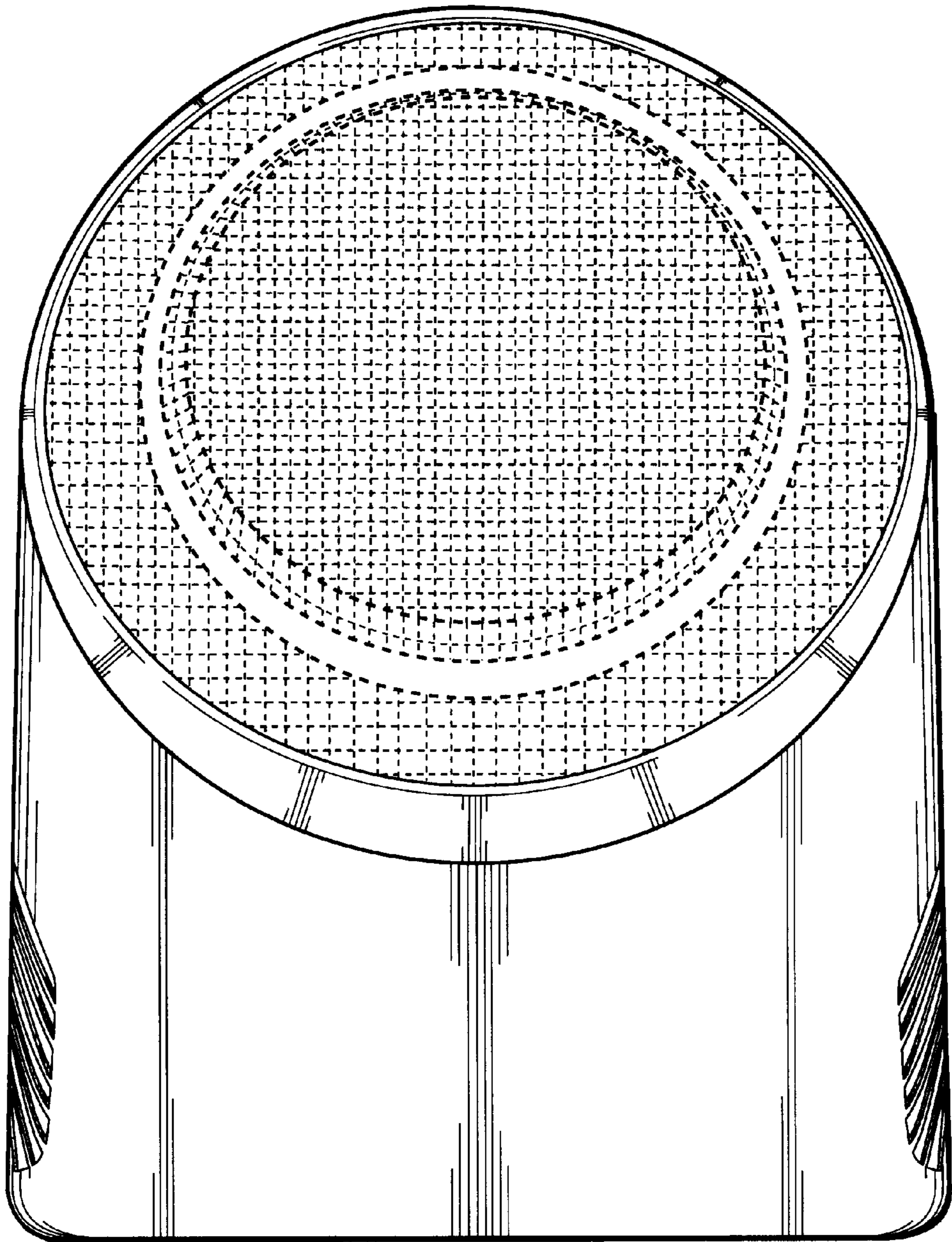


FIG. 3

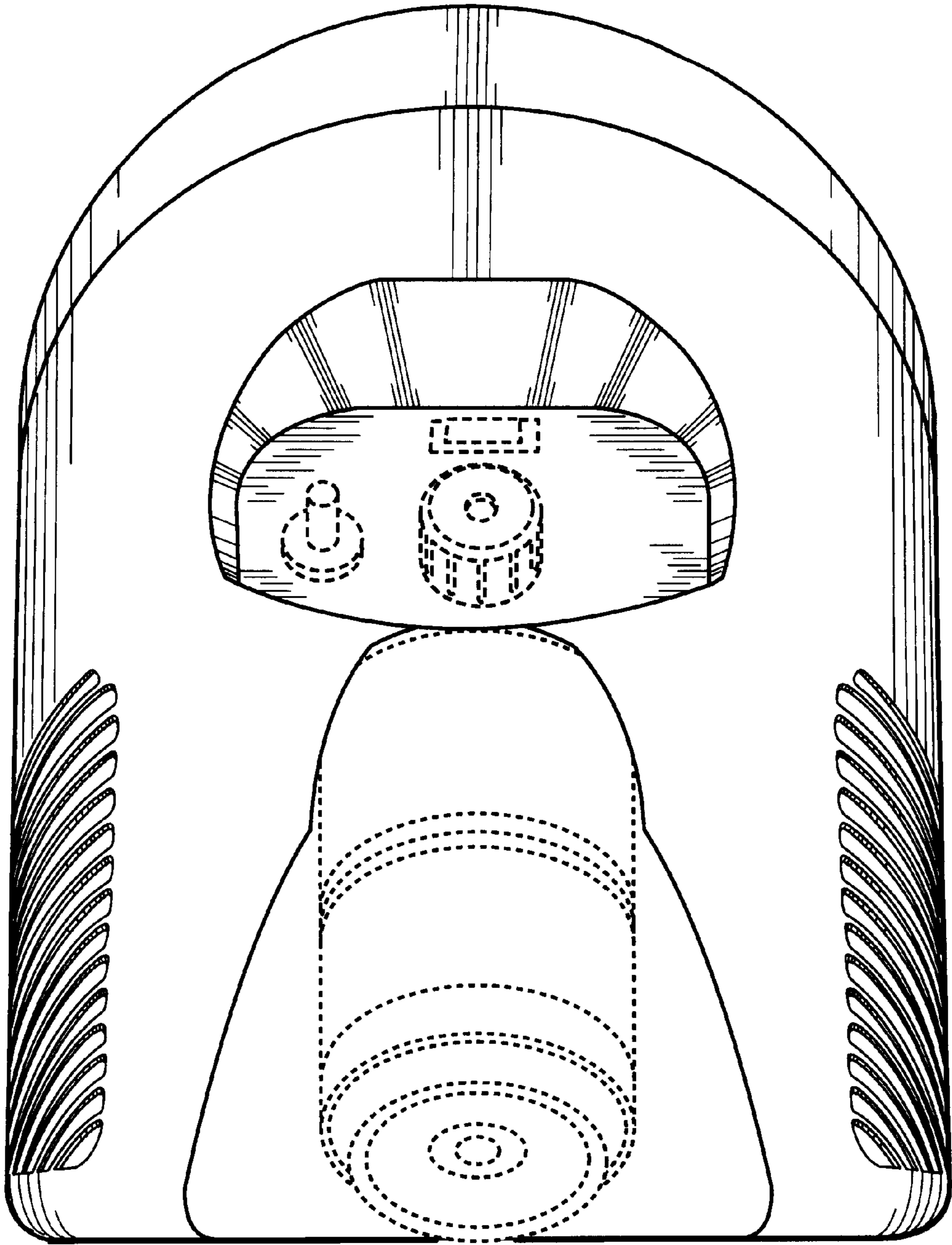


FIG. 4

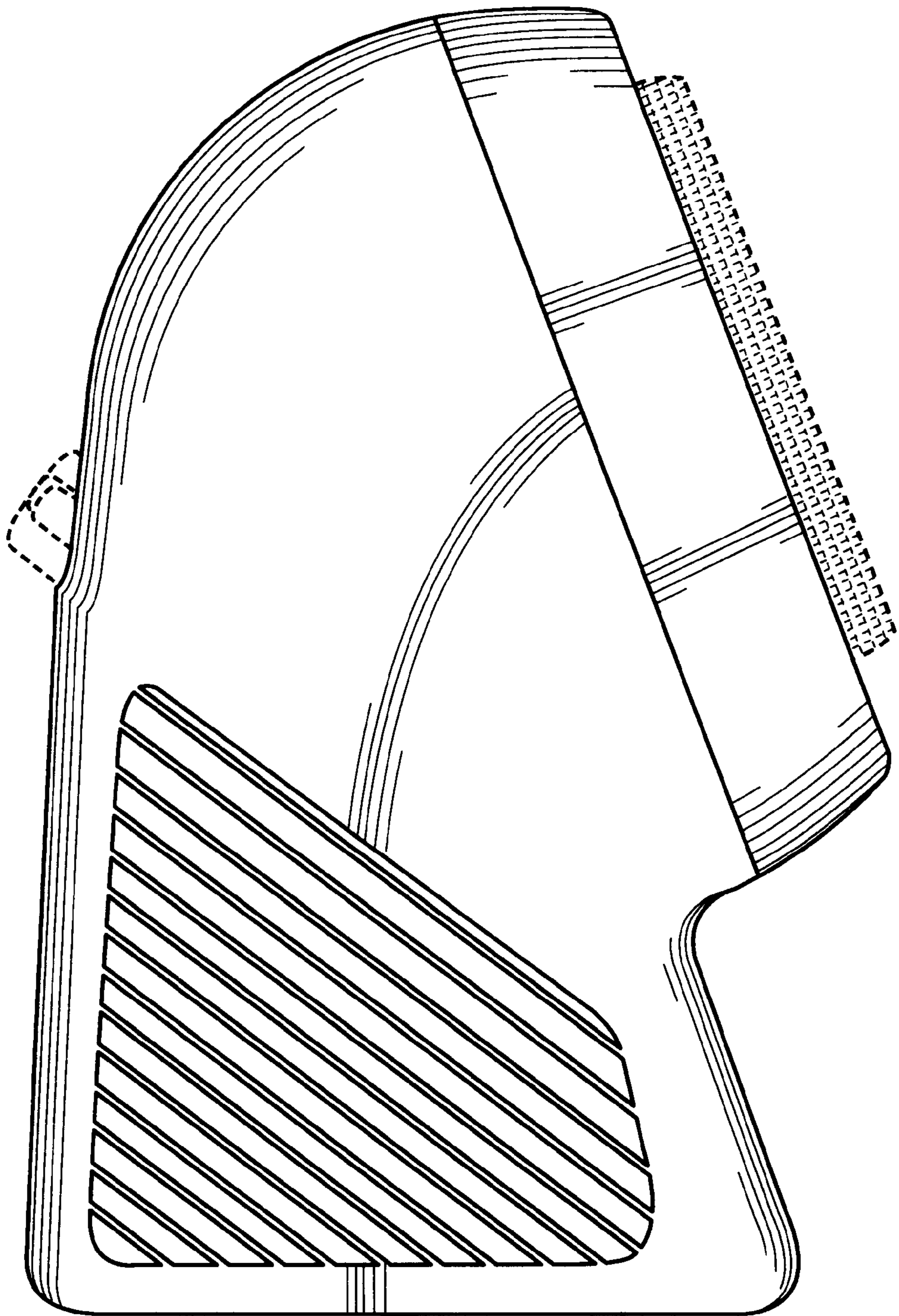


FIG. 5

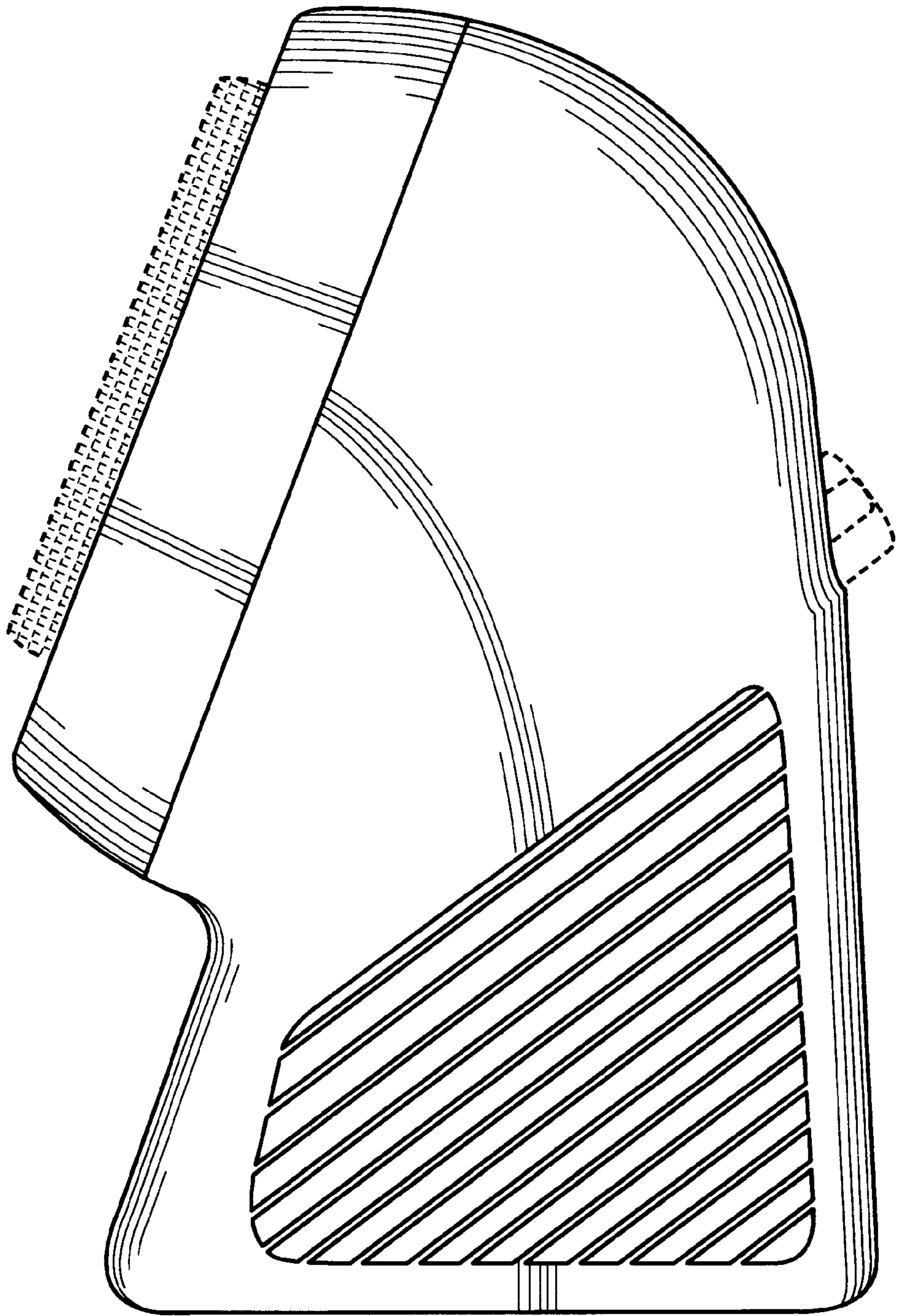


FIG. 6

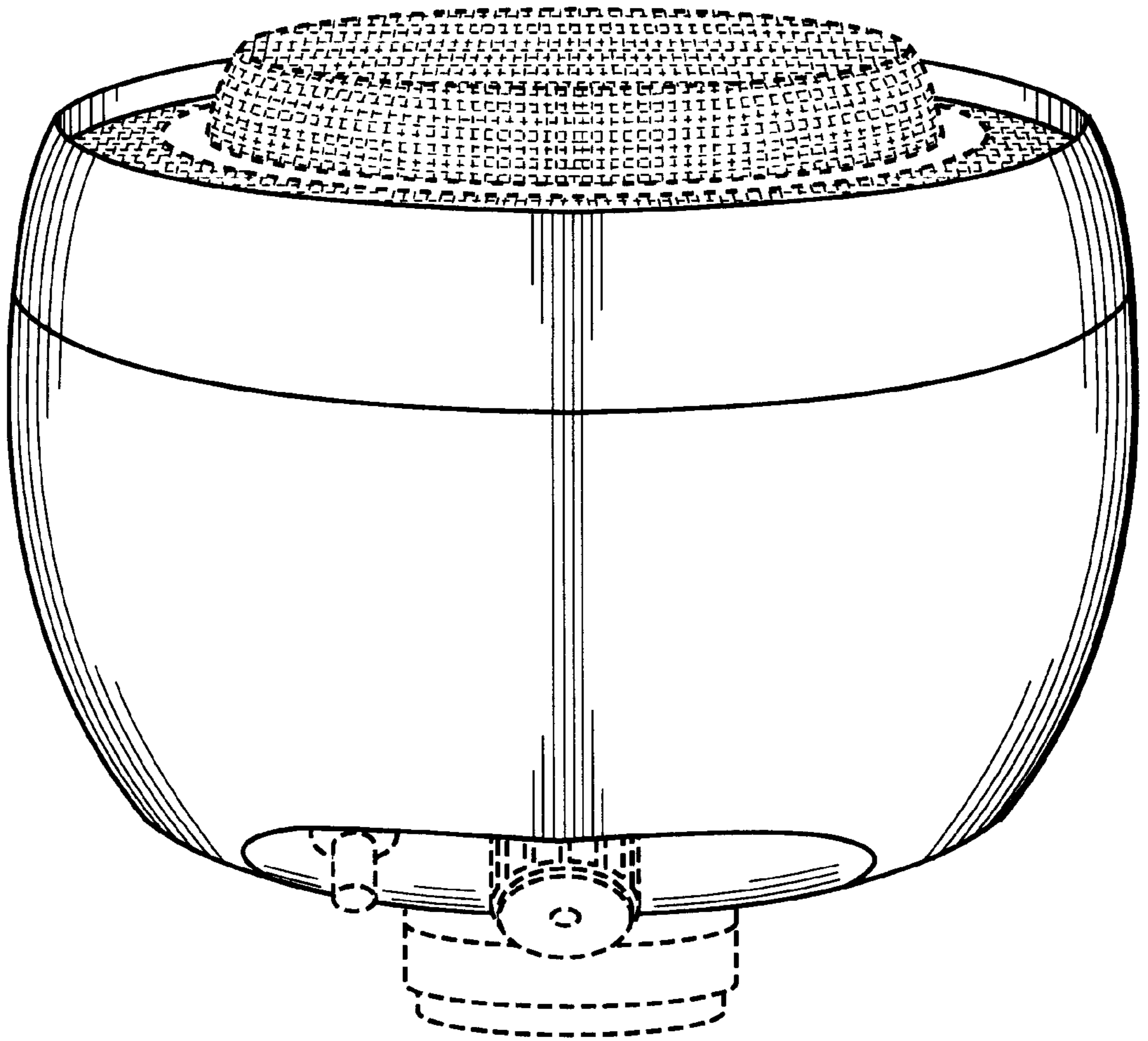


FIG. 7