



US00D457611S

(12) **United States Design Patent**
Haug et al.

(10) **Patent No.:** **US D457,611 S**

(45) **Date of Patent:** **** May 21, 2002**

(54) **SHOWER UNIT**

D447,547 S * 9/2001 Dimitriadis et al. D23/304

(75) Inventors: **Andreas Haug; Thomas Schönherr,**
both of Stuttgart; **Andreas Dimitriadis,**
Leinzell, all of (DE)

(73) Assignee: **Hansgrohe AG,** Schiltach (DE)

(**) Term: **14 Years**

(21) Appl. No.: **29/144,402**

(22) Filed: **Jul. 2, 2001**

(30) **Foreign Application Priority Data**

Jan. 4, 2001 (DE) 4 01 00 135

(51) **LOC (7) Cl.** **23-02**

(52) **U.S. Cl.** **D23/304**

(58) **Field of Search** D23/275, 283,
D23/304, 223, 228; 4/567, 568, 570, 596,
597

(56) **References Cited**

U.S. PATENT DOCUMENTS

- D288,119 S * 2/1987 Hill et al. D23/304 X
- D405,877 S * 2/1999 Larsson D23/304
- D407,806 S * 4/1999 Dimitriadis et al. D23/304
- D429,322 S * 8/2000 Haug et al. D23/304

OTHER PUBLICATIONS

“Wirquin”, 2 pages (Nov. 3, 1997).

“GROHE Wassertechnologie” by Friedrich Grohe, 3 pages (Mar., 1999).

“Nouveaux Produits” by Valentin, 3 pages (Nov. 9, 1999).

* cited by examiner

Primary Examiner—Louis S. Zarfes

Assistant Examiner—Robert A. Delehanty

(74) *Attorney, Agent, or Firm*—Duane Morris LLP

(57) **CLAIM**

The ornamental design for a shower unit, as shown and described.

DESCRIPTION

FIG. 1: is a side perspective view of the shower unit showing our new design;

FIG. 2: is a top plan view thereof;

FIG. 3: is a bottom plan view thereof;

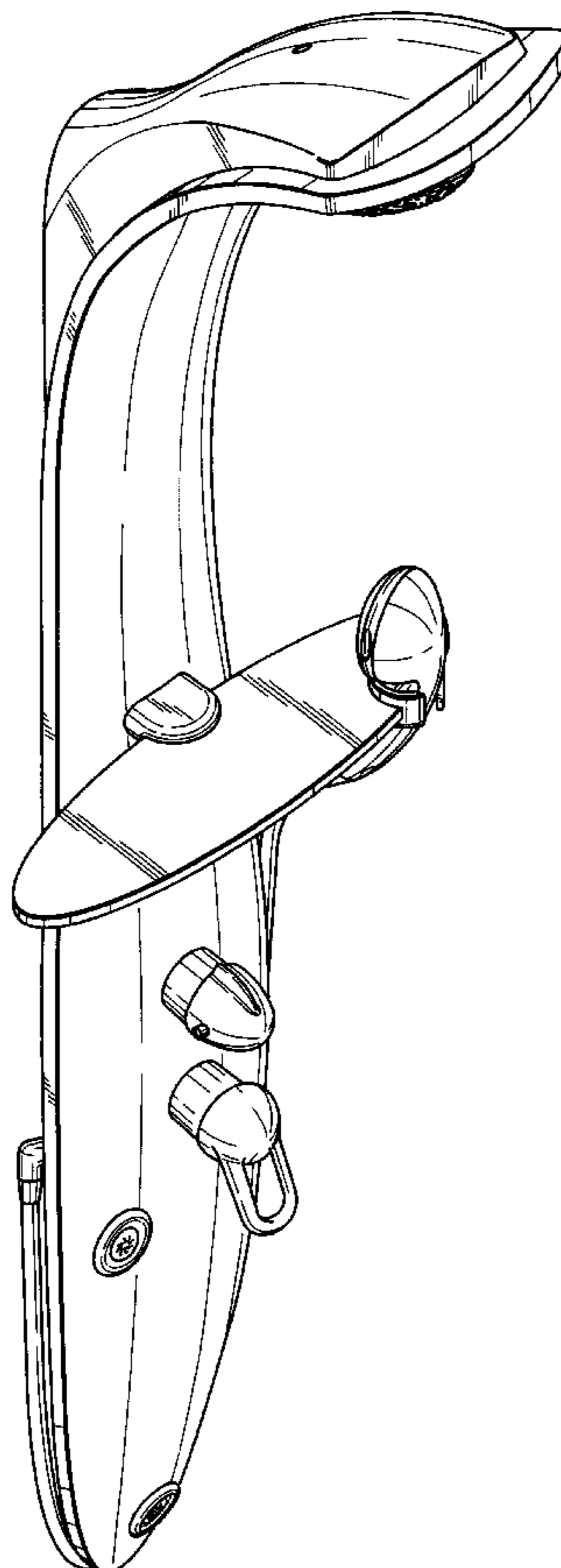
FIG. 4: is a side elevation view thereof;

FIG. 5: is a front elevation view thereof;

FIG. 6: is the other side elevation view thereof; and,

FIG. 7: is a rear elevation view thereof.

1 Claim, 3 Drawing Sheets



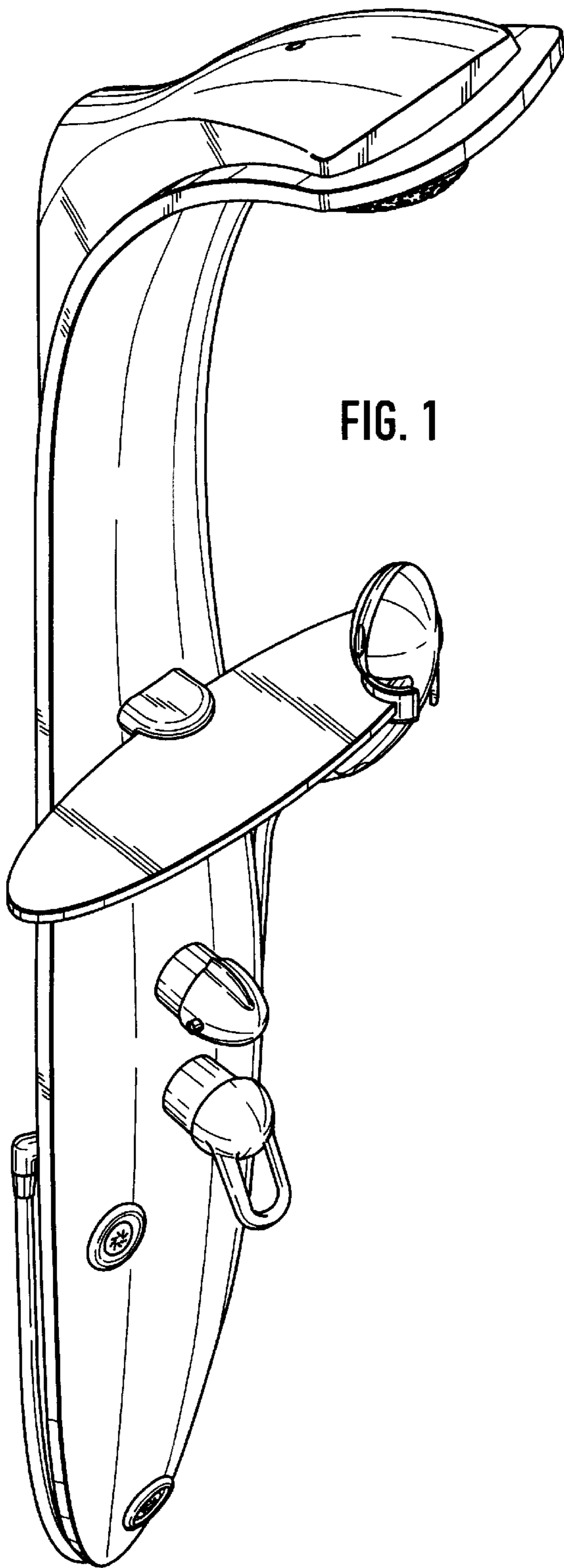


FIG. 1

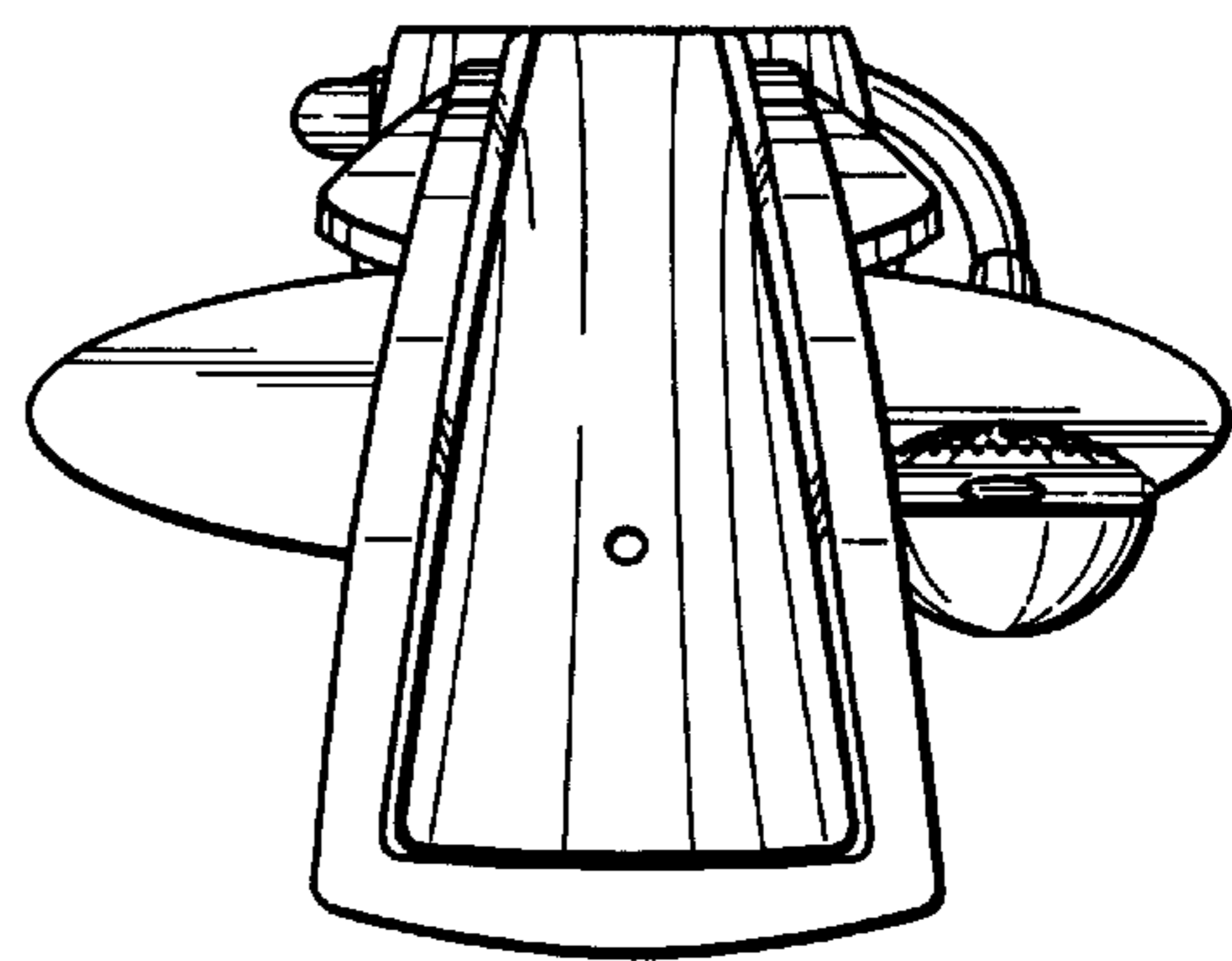


FIG. 2

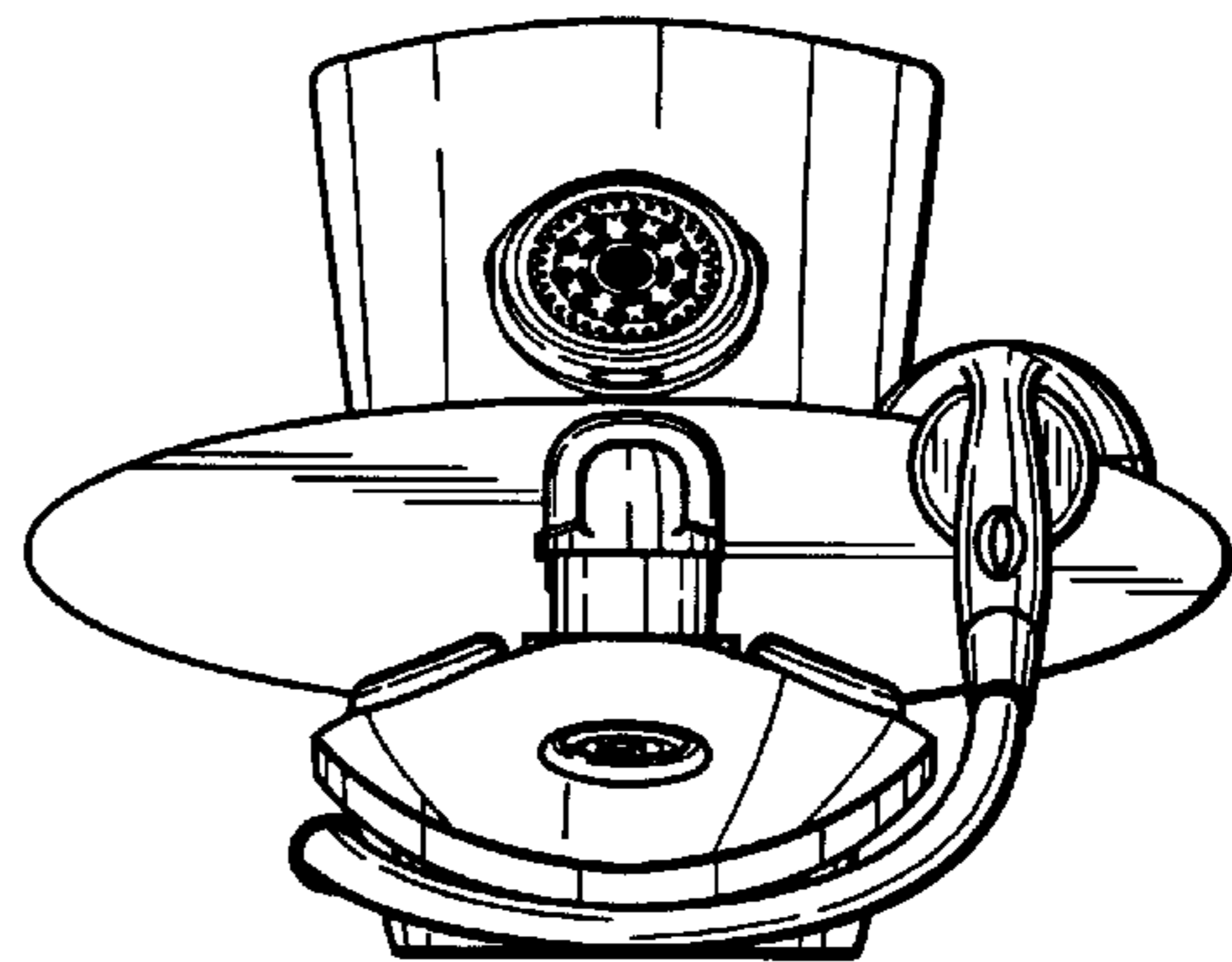


FIG. 3

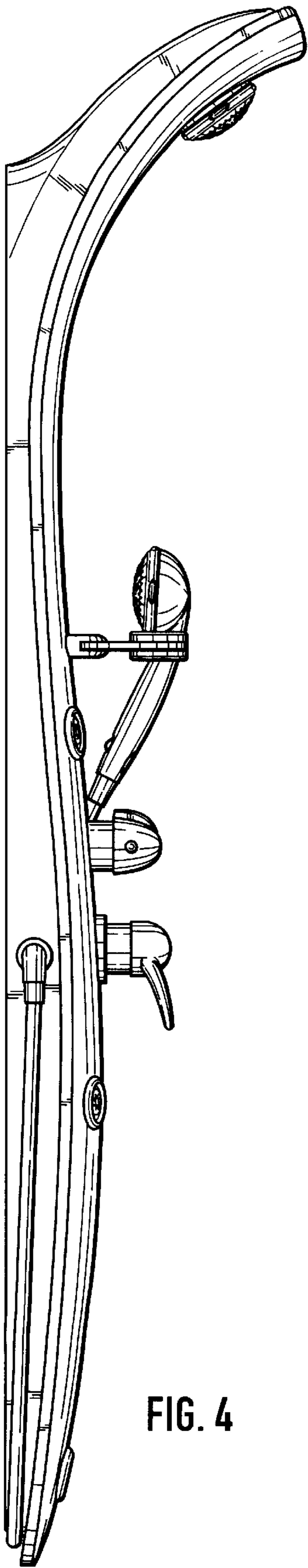


FIG. 4

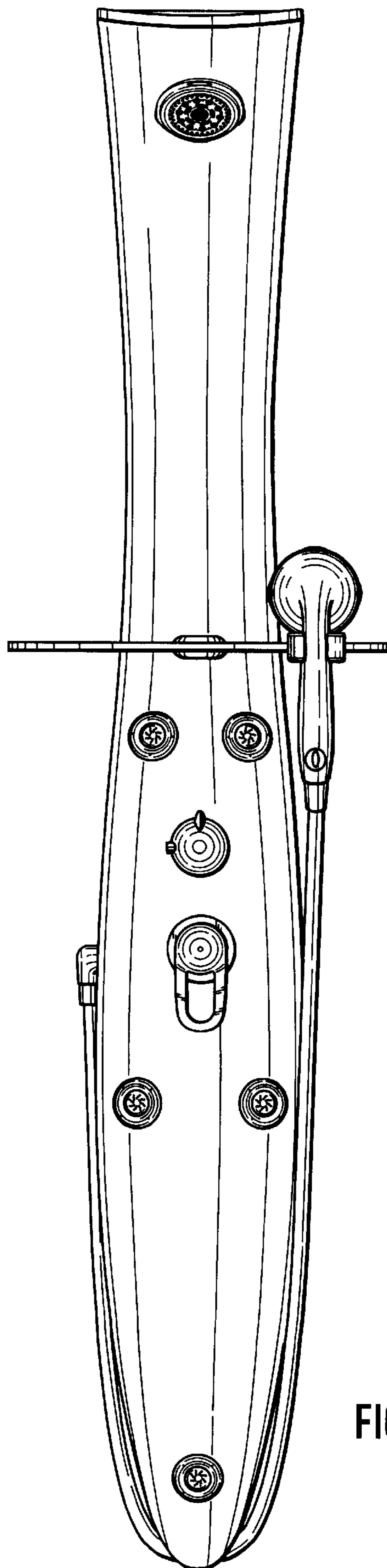


FIG. 5

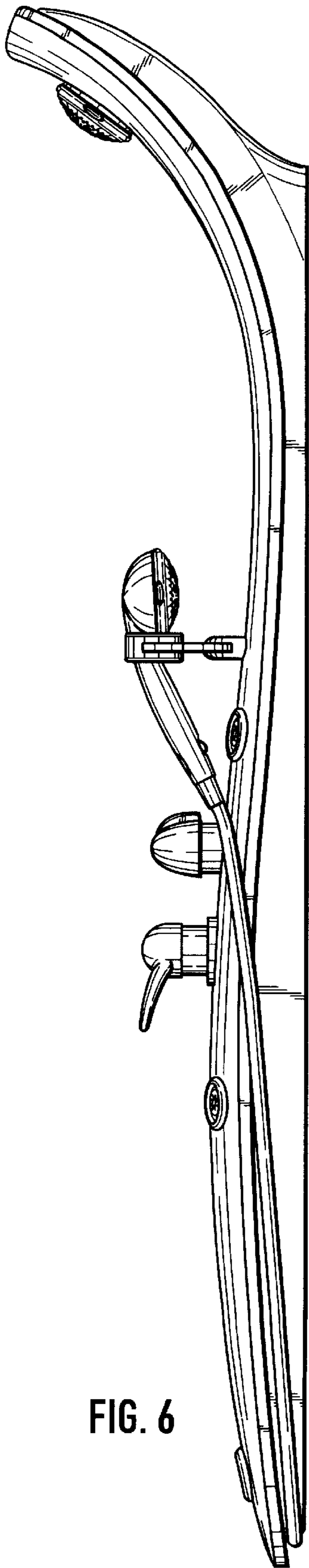


FIG. 6

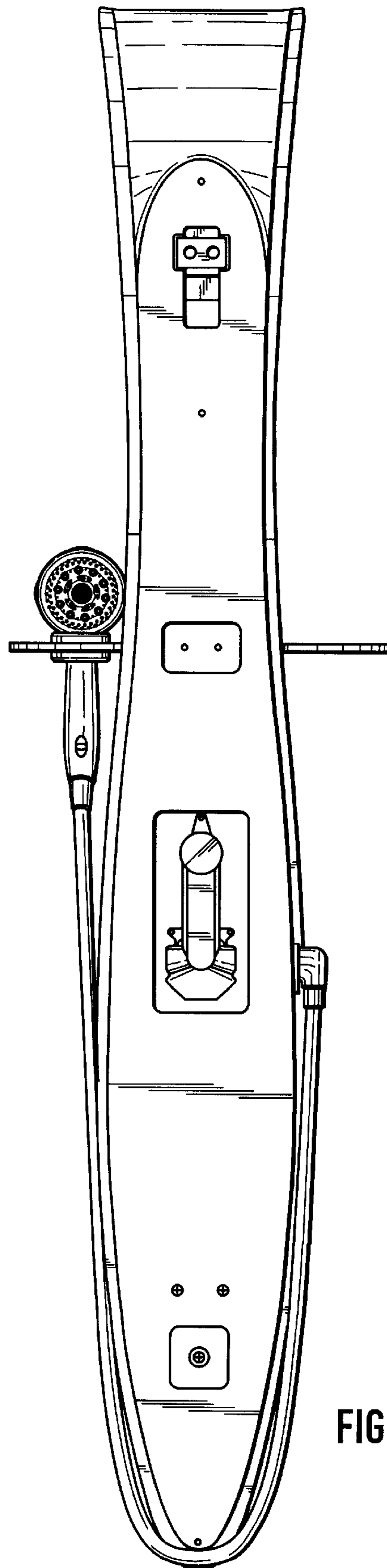


FIG. 7