



US00D457604S

(12) **United States Design Patent**  
**Chen**

(10) **Patent No.:** **US D457,604 S**

(45) **Date of Patent:** **\*\* May 21, 2002**

(54) **FAST CONNECTOR**

(75) Inventor: **Chin-Yuan Chen**, Chang-Hua Hsien (TW)

(73) Assignee: **Shin Tai Spurt Water of the Garden Tools Co.,Ltd.**, Chang-Hua Hsien (TW)

(\*\*) Term: **14 Years**

(21) Appl. No.: **29/141,242**

(22) Filed: **May 3, 2001**

(51) **LOC (7) Cl.** ..... **23-01**

(52) **U.S. Cl.** ..... **D23/262**

(58) **Field of Search** ..... D23/259, 262;  
285/34, 35, 148.22, 144.1, 145.2, 148.1,  
272, 322

(56) **References Cited**

**U.S. PATENT DOCUMENTS**

D267,506 S \* 1/1983 Evans ..... D23/262  
4,666,190 A \* 5/1987 Yamabe et al. .... 285/322  
5,261,707 A \* 11/1993 Kotake et al. .... 285/322

5,580,099 A \* 12/1996 Eaton ..... 285/35

5,649,723 A \* 7/1997 Larsson ..... 285/34

5,927,683 A \* 7/1999 Weh et al. .... 285/35

\* cited by examiner

*Primary Examiner*—Robin V. Taylor

(74) *Attorney, Agent, or Firm*—Harrison & Egbert

(57) **CLAIM**

I claim the ornamental design for a fast connector, as shown and described.

**DESCRIPTION**

FIG. 1 is an upper perspective view of the fast connector showing my design.

FIG. 2 is a front view thereof;

FIG. 3 is a back view thereof;

FIG. 4 is a side view thereof;

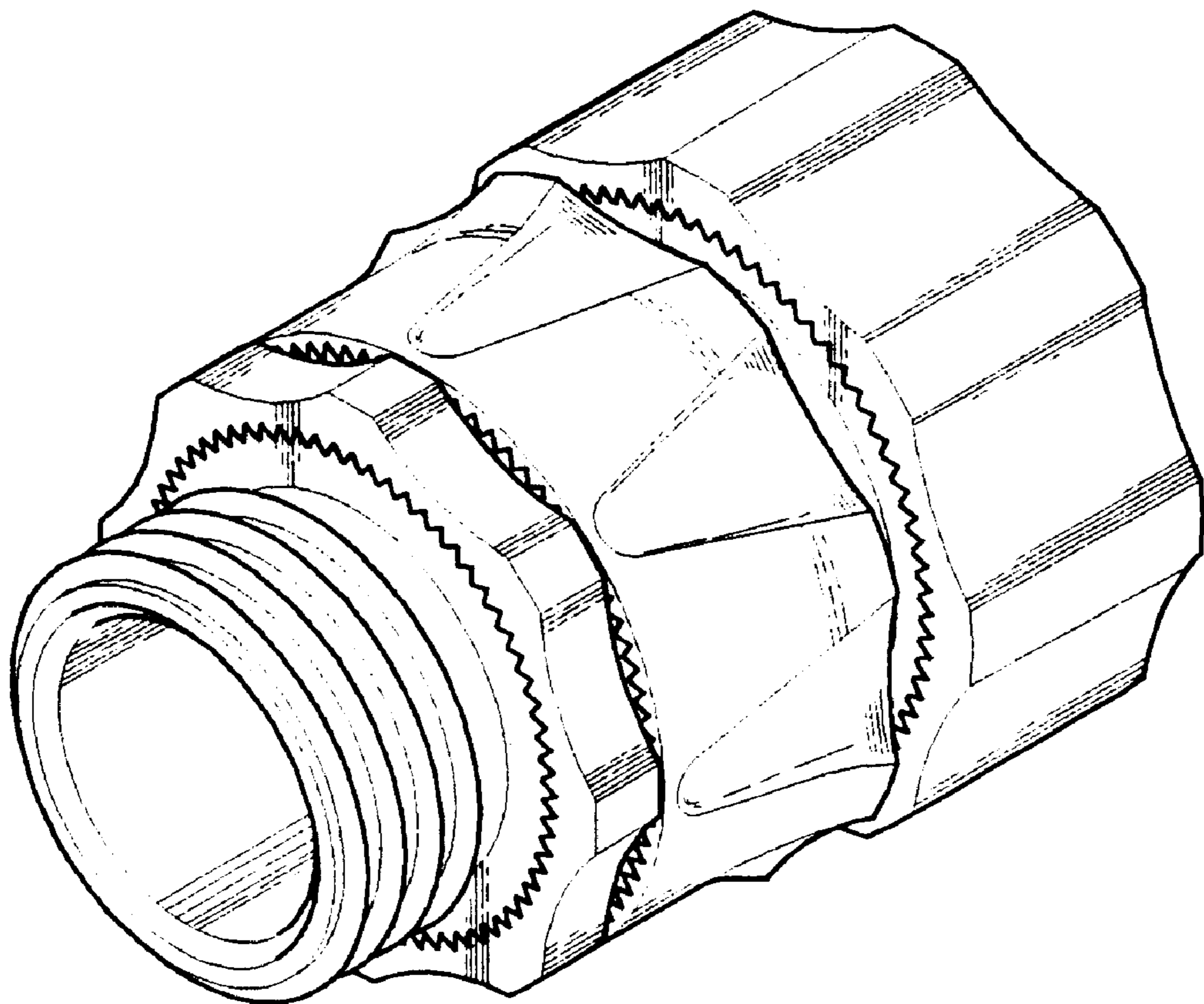
FIG. 5 is an opposite side view thereof;

FIG. 6 is a top view thereof;

FIG. 7 is a bottom view thereof; and,

FIG. 8 is an exploded upper perspective view thereof.

**1 Claim, 5 Drawing Sheets**



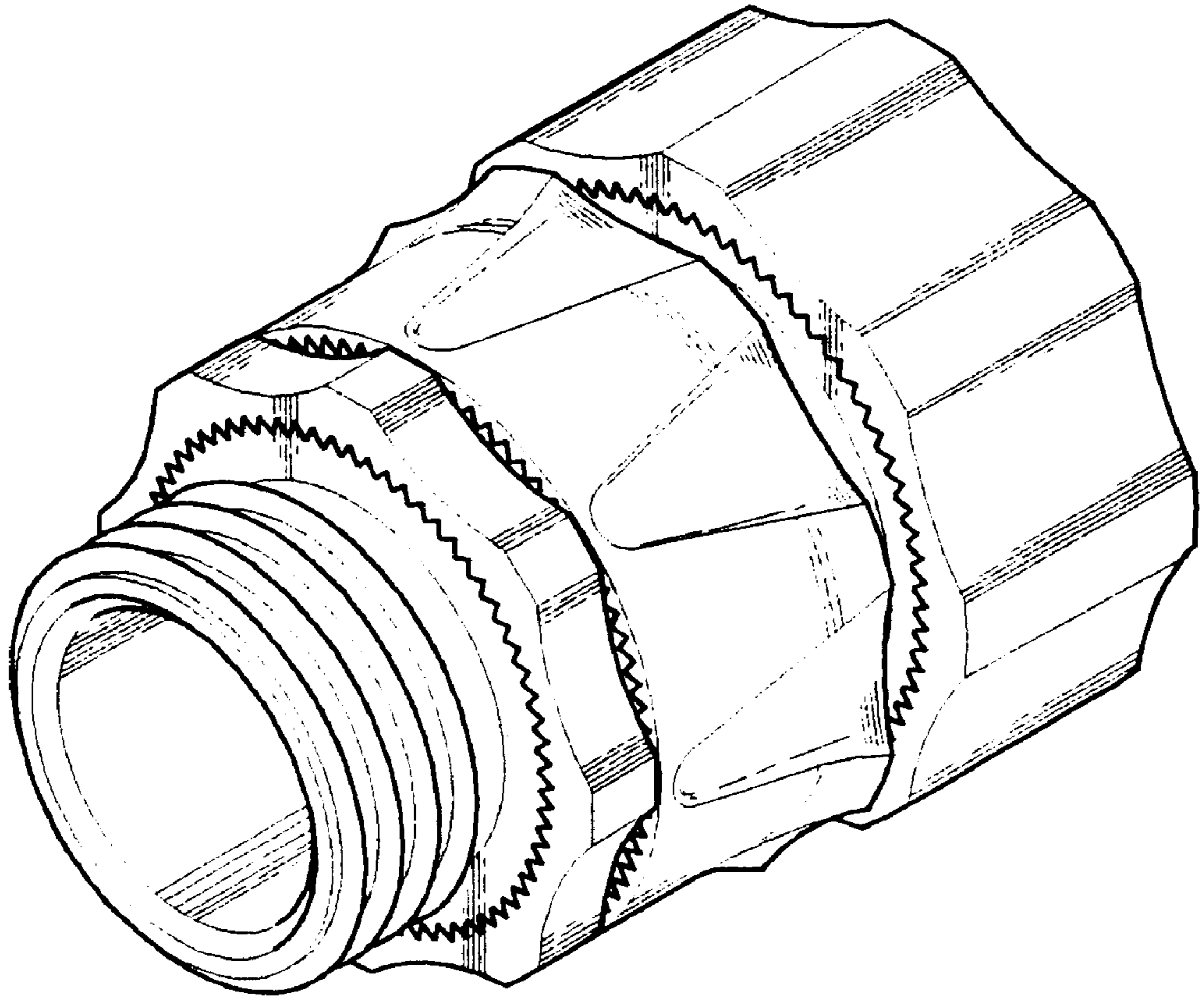


FIG. 1

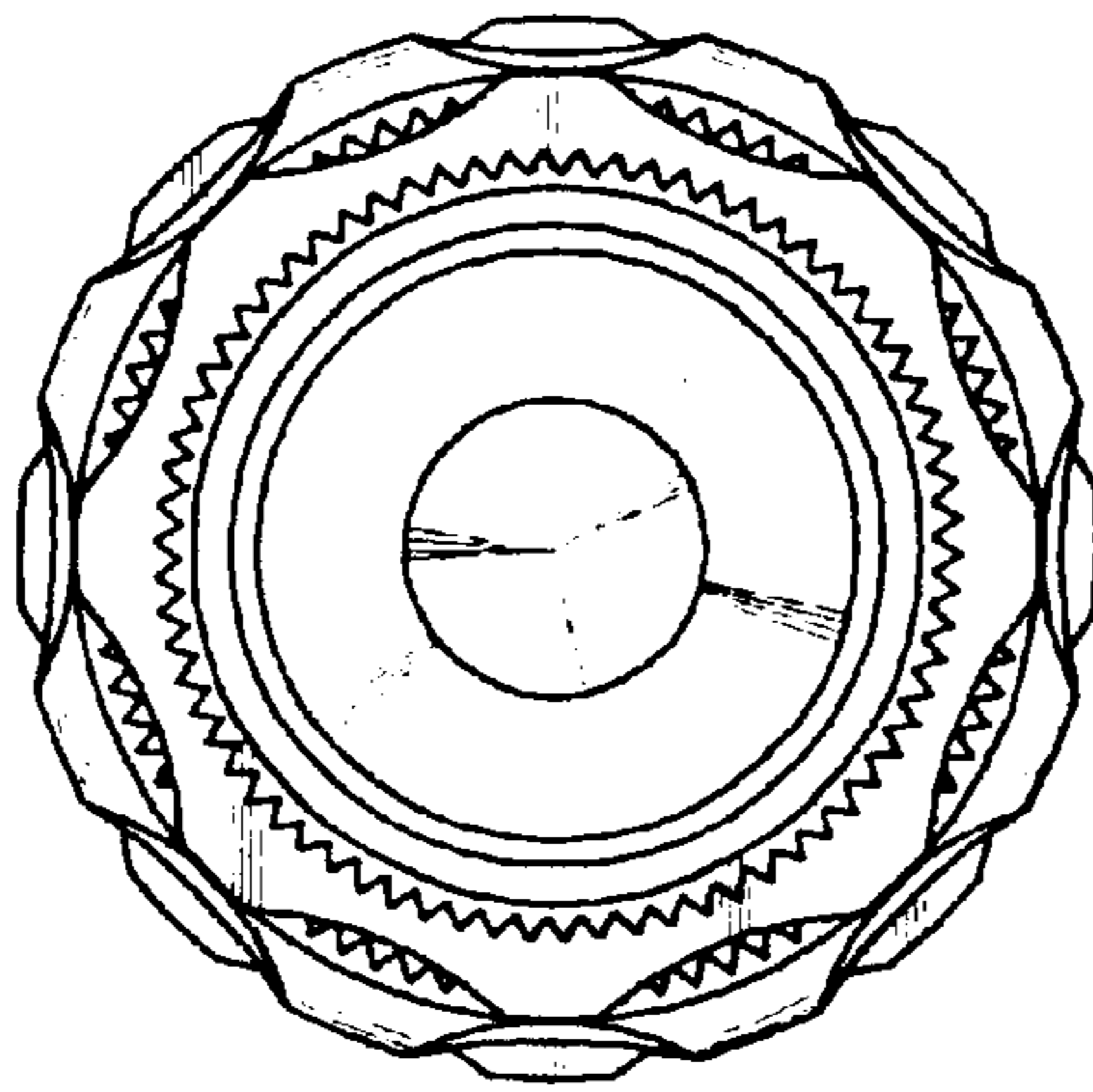


FIG. 2

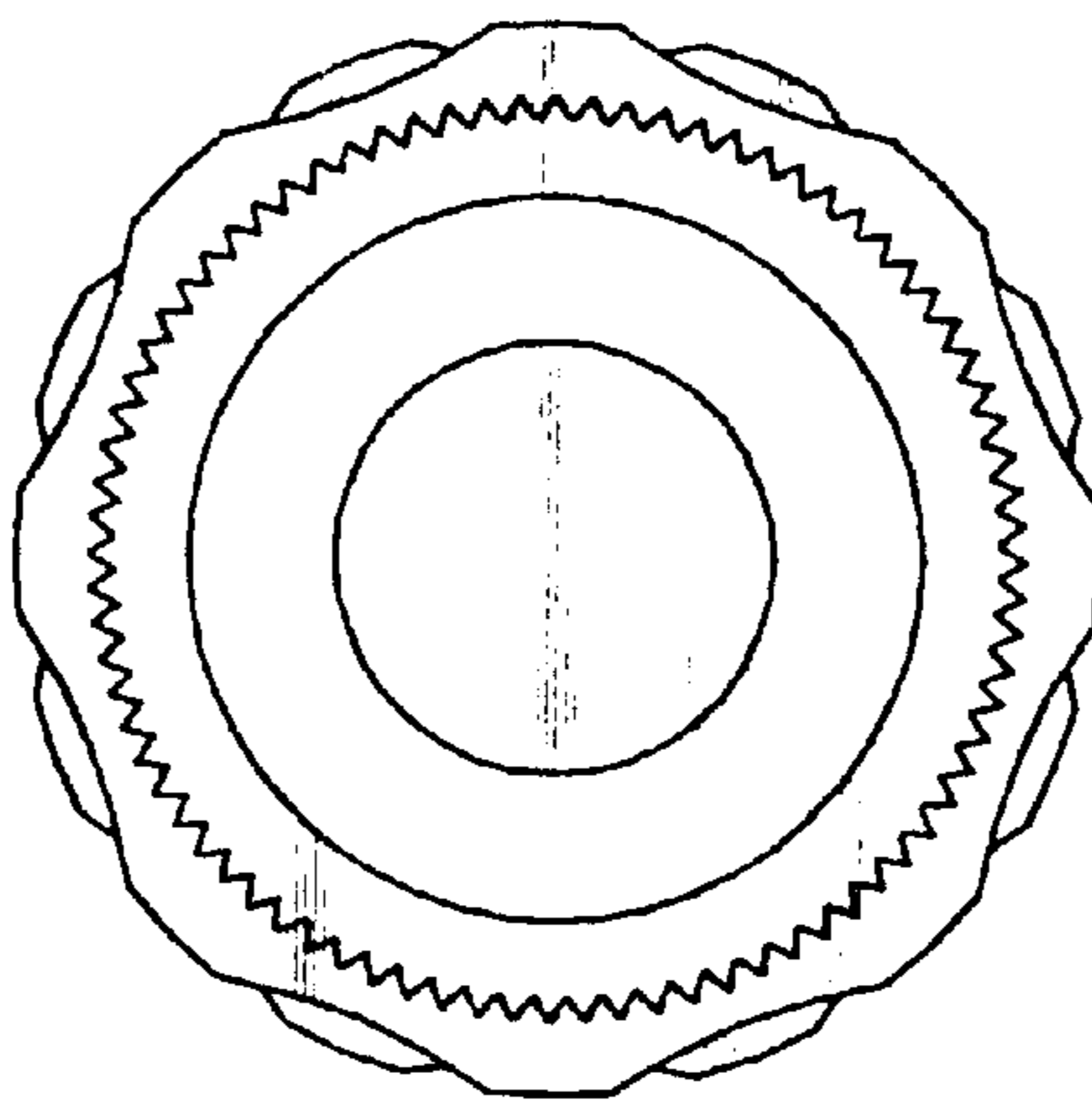


FIG. 3

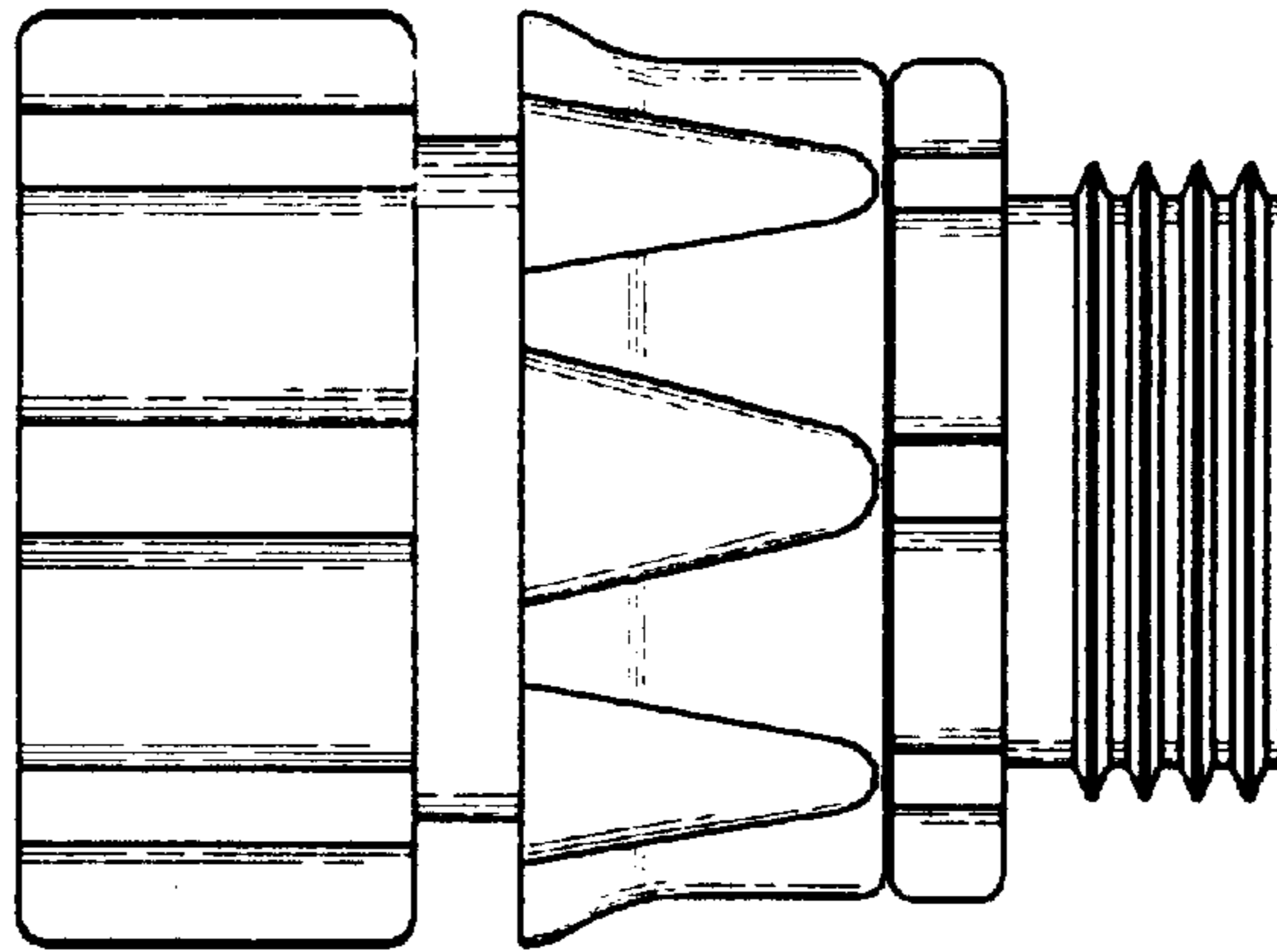


FIG. 4

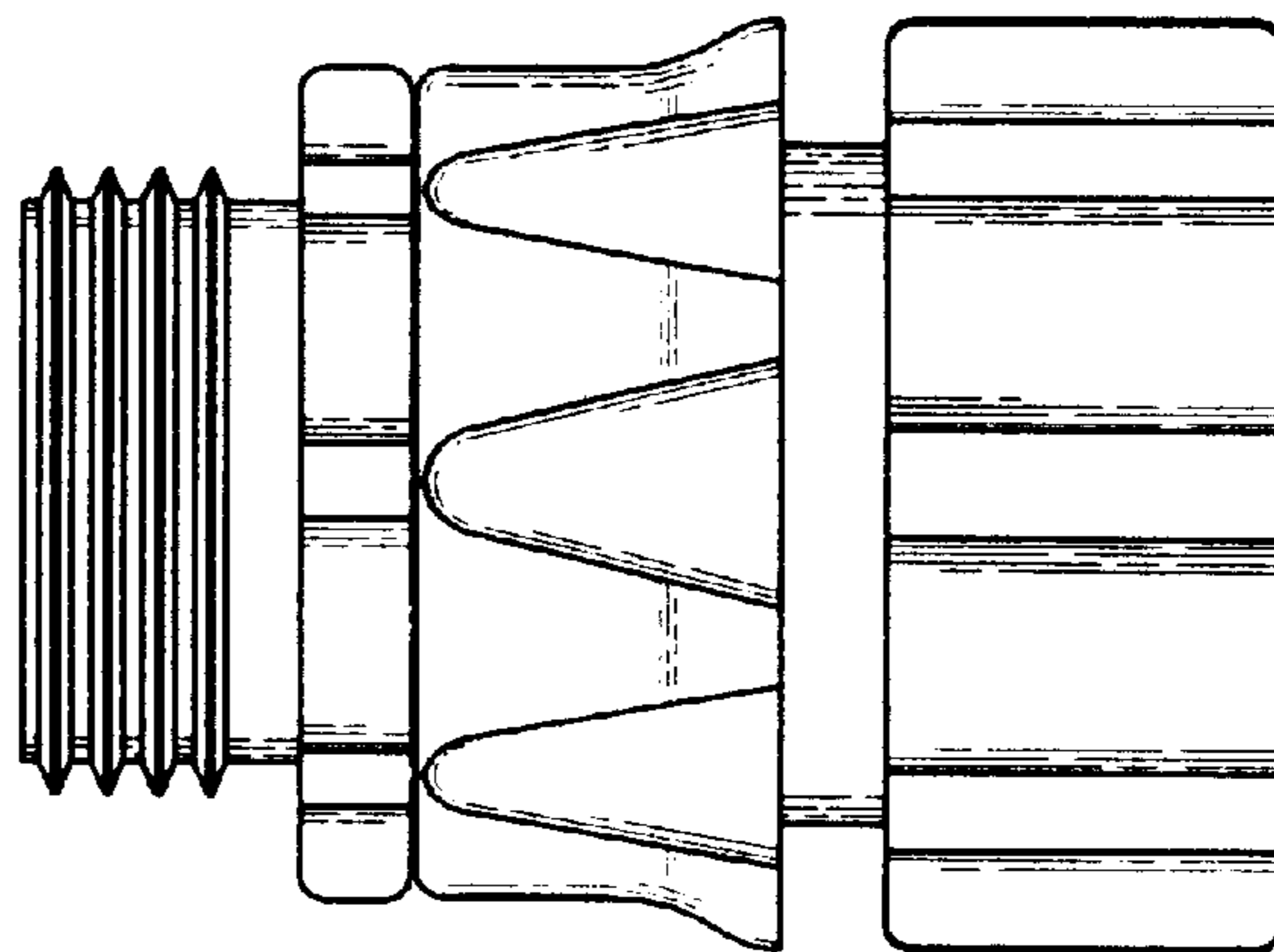


FIG. 5

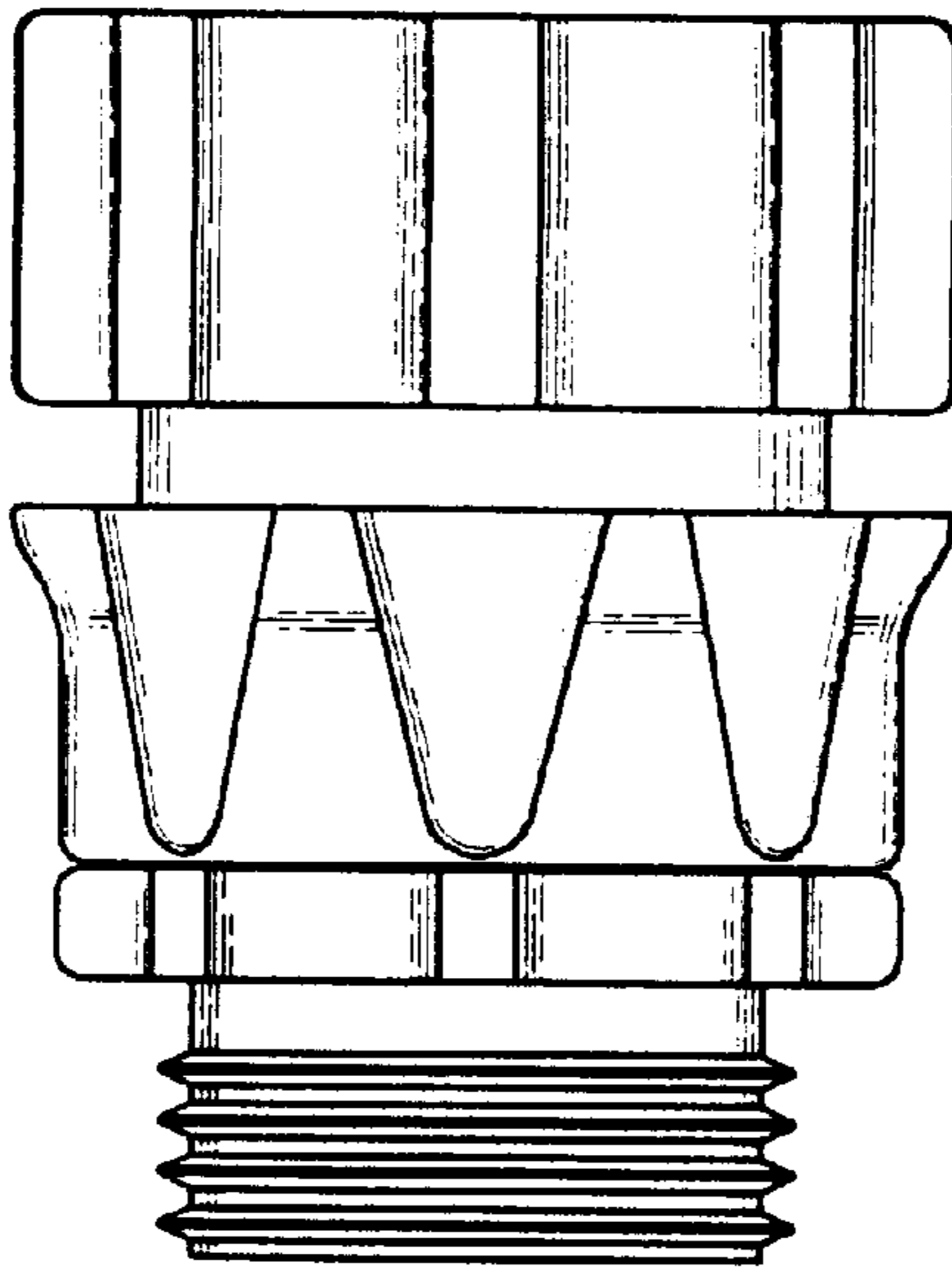


FIG. 6

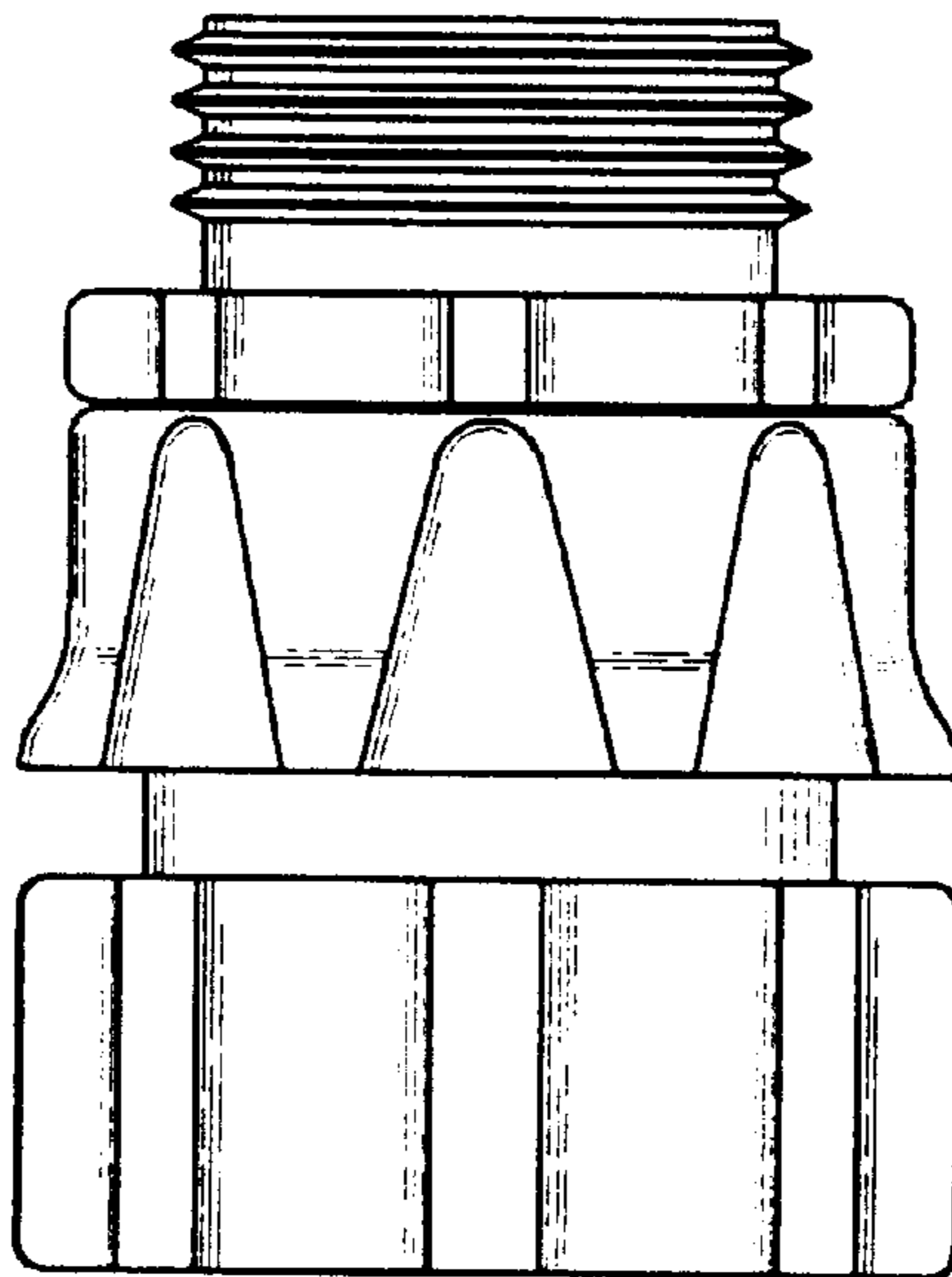


FIG. 7

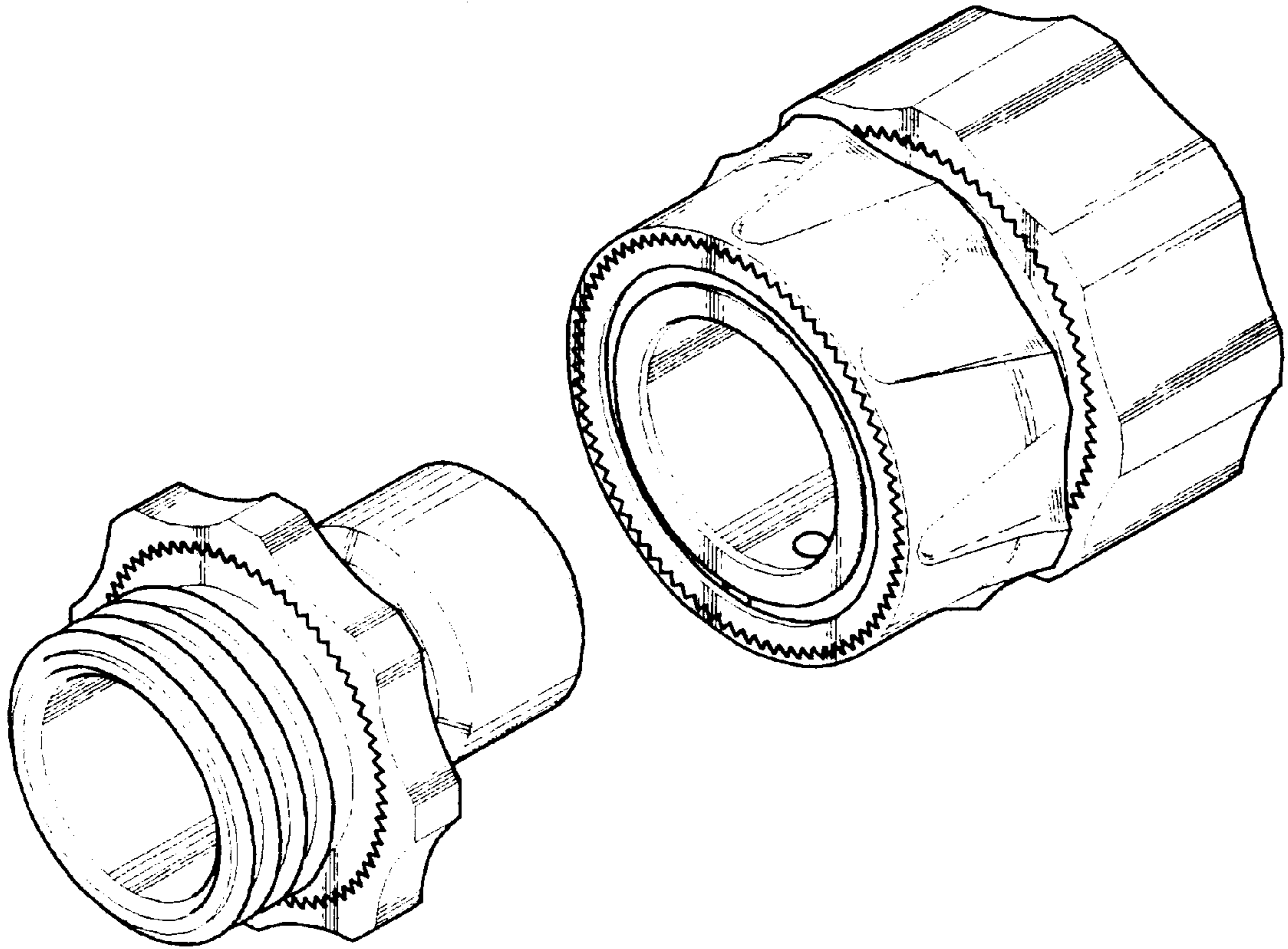


FIG. 8