

US00D457601S

(12) **United States Design Patent**  
**Gottwald**

(10) **Patent No.:** **US D457,601 S**

(45) **Date of Patent:** **\*\* May 21, 2002**

(54) **SINGLE-LEVER FAUCET**

(75) **Inventor:** **Adolf Gottwald, Iserlohn (DE)**

(73) **Assignee:** **Friedrich Grohe AG & Co. KG,**  
**Hemer (DE)**

(\*\*) **Term:** **14 Years**

(21) **Appl. No.:** **29/140,816**

(22) **Filed:** **Apr. 25, 2001**

(30) **Foreign Application Priority Data**

Nov. 11, 2000 (DE) ..... 400 10 720

(51) **LOC (7) Cl.** ..... **23-01**

(52) **U.S. Cl.** ..... **D23/238**

(58) **Field of Search** ..... D23/238-243,  
D23/245, 249-257; 4/675-678; 16/110 R;  
137/801

(56) **References Cited**

**U.S. PATENT DOCUMENTS**

D311,438 S \* 10/1990 Strignano ..... D23/242  
D312,300 S \* 11/1990 Joerger ..... D23/241

D314,040 S \* 1/1991 Heieck ..... D23/238  
D350,183 S \* 8/1994 Joerger ..... D23/242  
D375,345 S \* 11/1996 Warshawsky ..... D23/241  
D420,430 S \* 2/2000 Lobermeier ..... D23/238  
D440,637 S \* 4/2001 Lefroy-Brooks ..... D23/255  
D450,808 S \* 11/2001 Gottwald ..... D23/250

\* cited by examiner

*Primary Examiner*—Ian Simmons

*Assistant Examiner*—Gregory Andoll

(74) *Attorney, Agent, or Firm*—Herbert Dubno

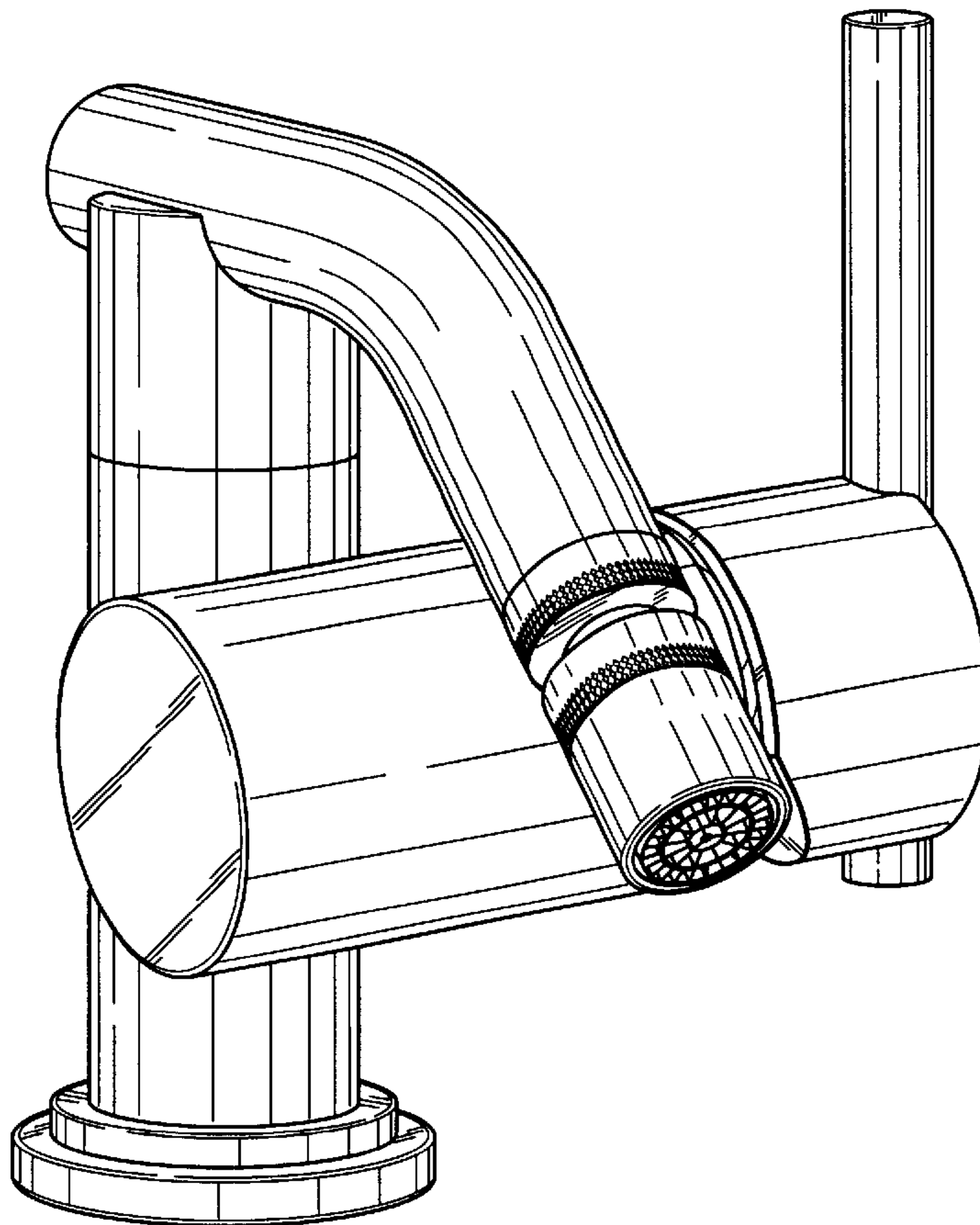
(57) **CLAIM**

The ornamental design for a single-lever faucet, as shown.

**DESCRIPTION**

FIG. 1 is a top, front, left-side perspective view of a single-lever faucet showing my new design; FIG. 2 is a front elevational view thereof; FIG. 3 is a right side elevational view thereof; FIG. 4 is a rear elevational view thereof; FIG. 5 is a left side elevational view thereof; FIG. 6 is a top plan view thereof; and, FIG. 7 is a bottom plan view thereof.

**1 Claim, 4 Drawing Sheets**



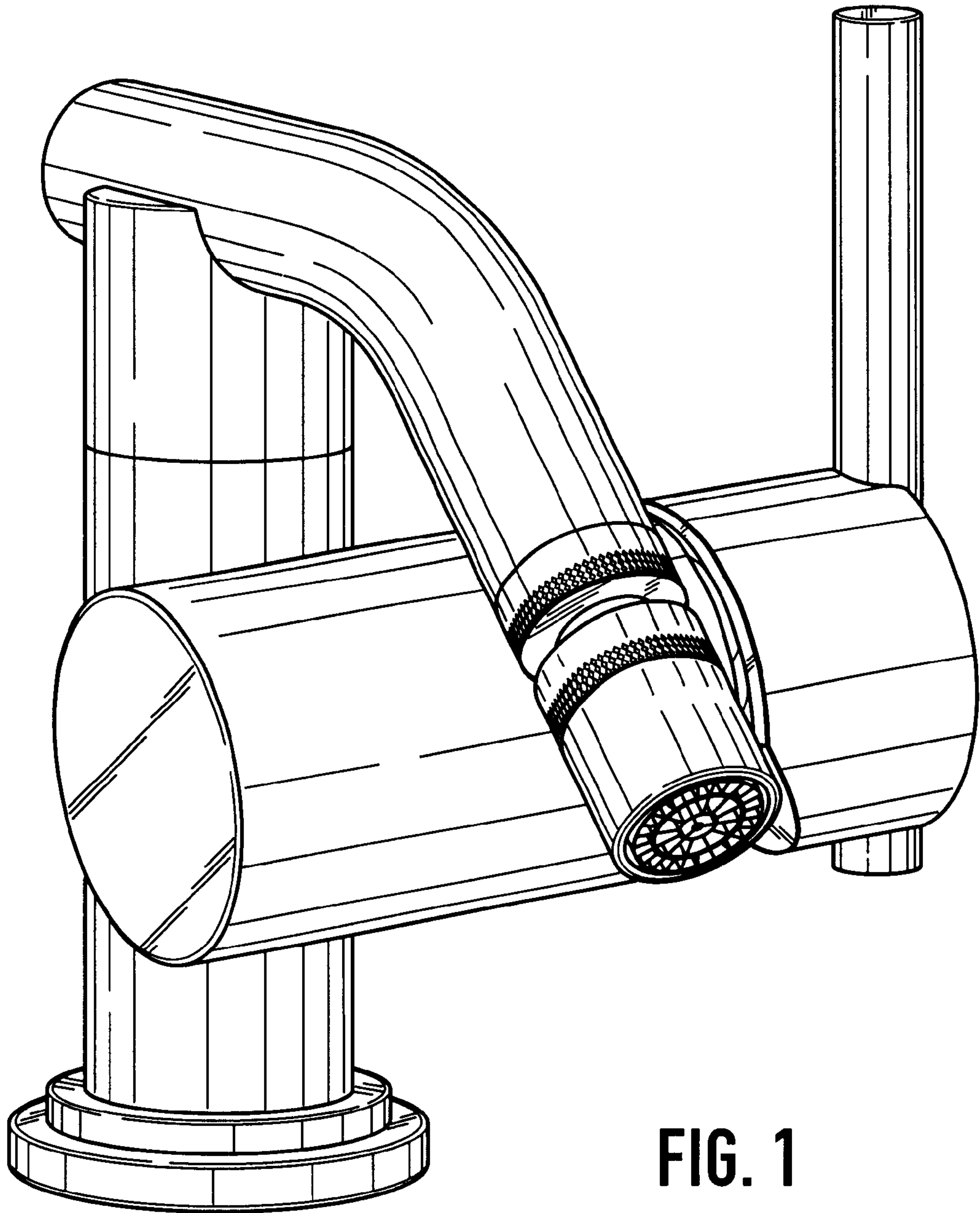


FIG. 1

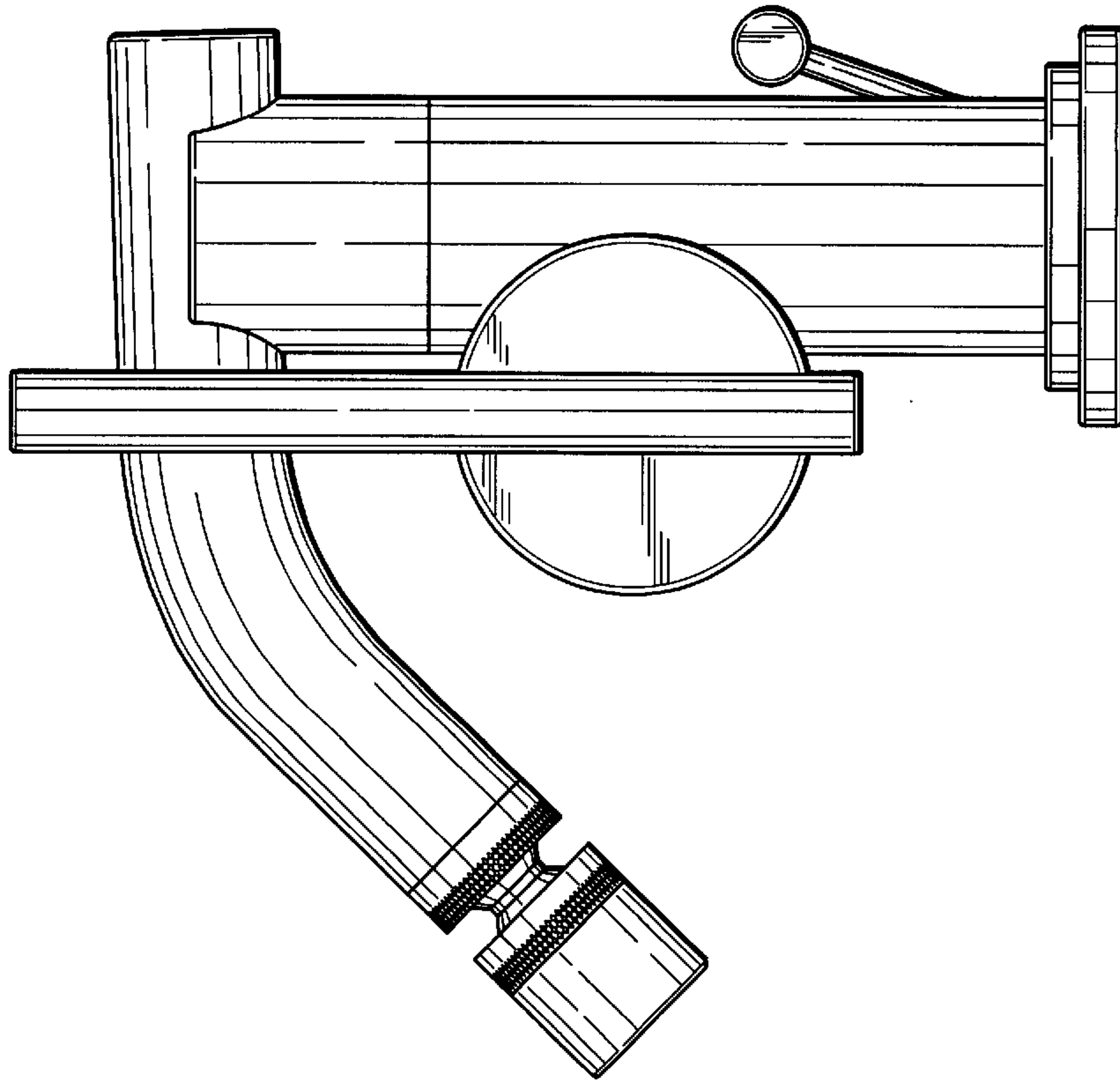


FIG. 3

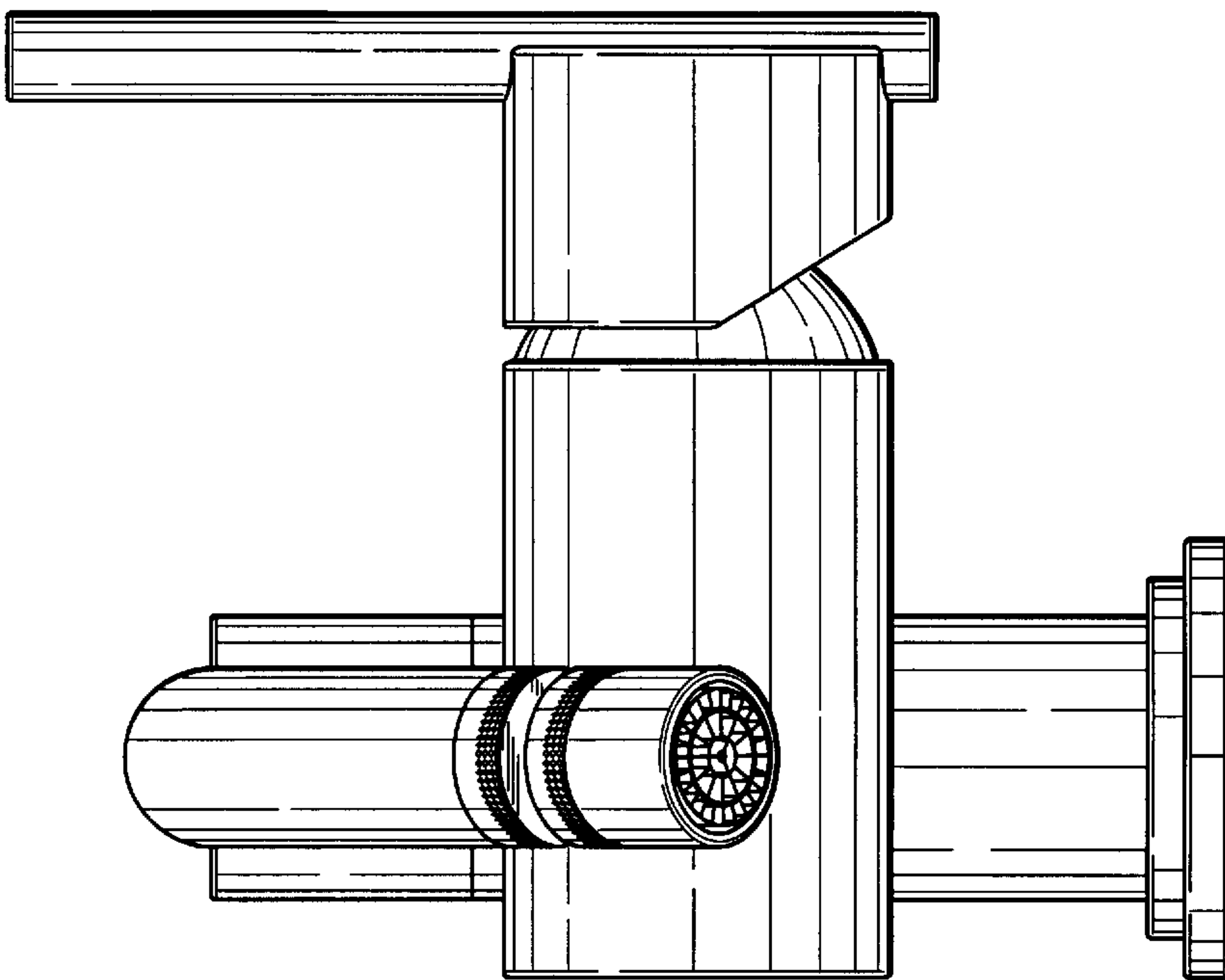


FIG. 2

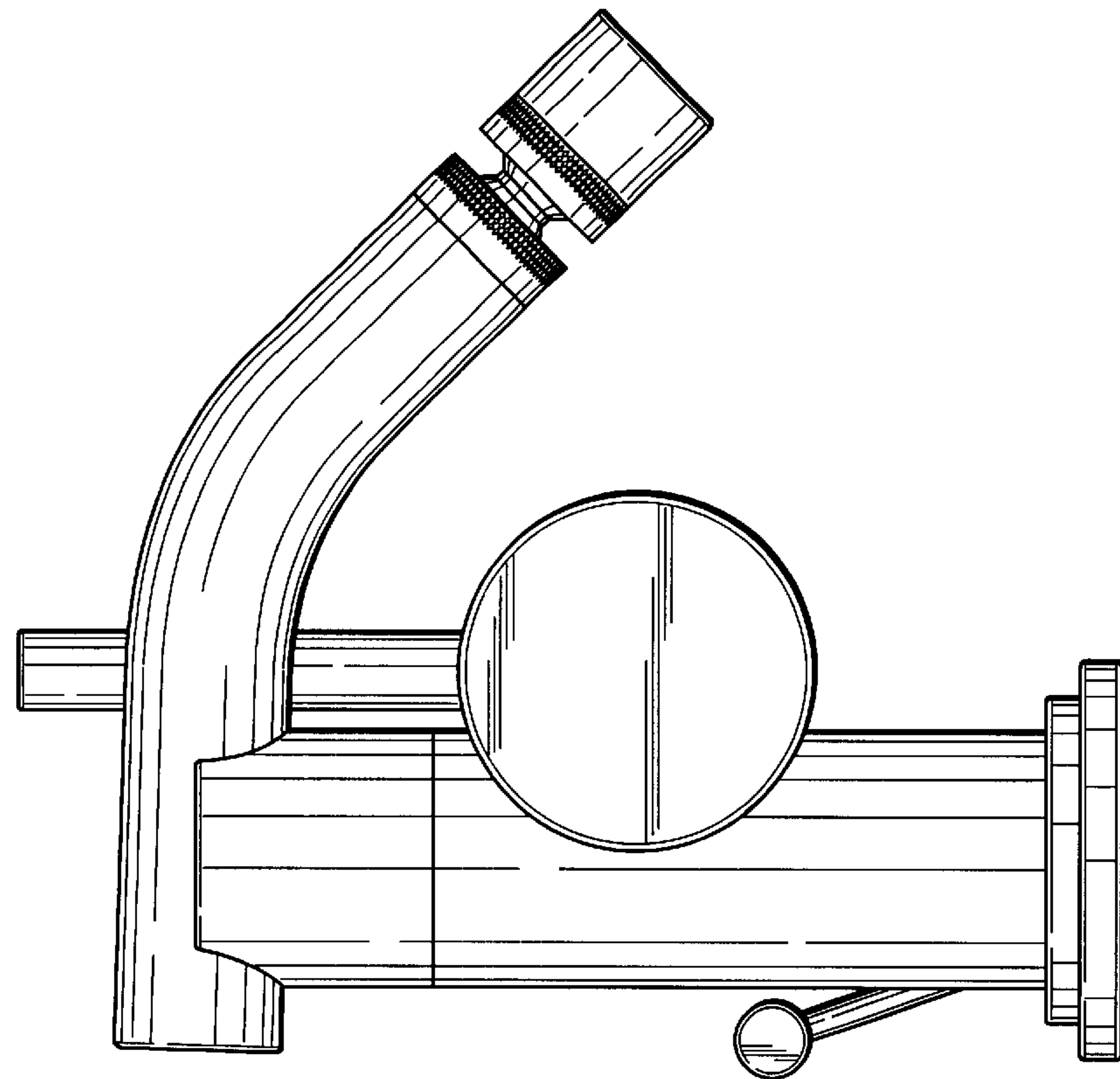


FIG. 5

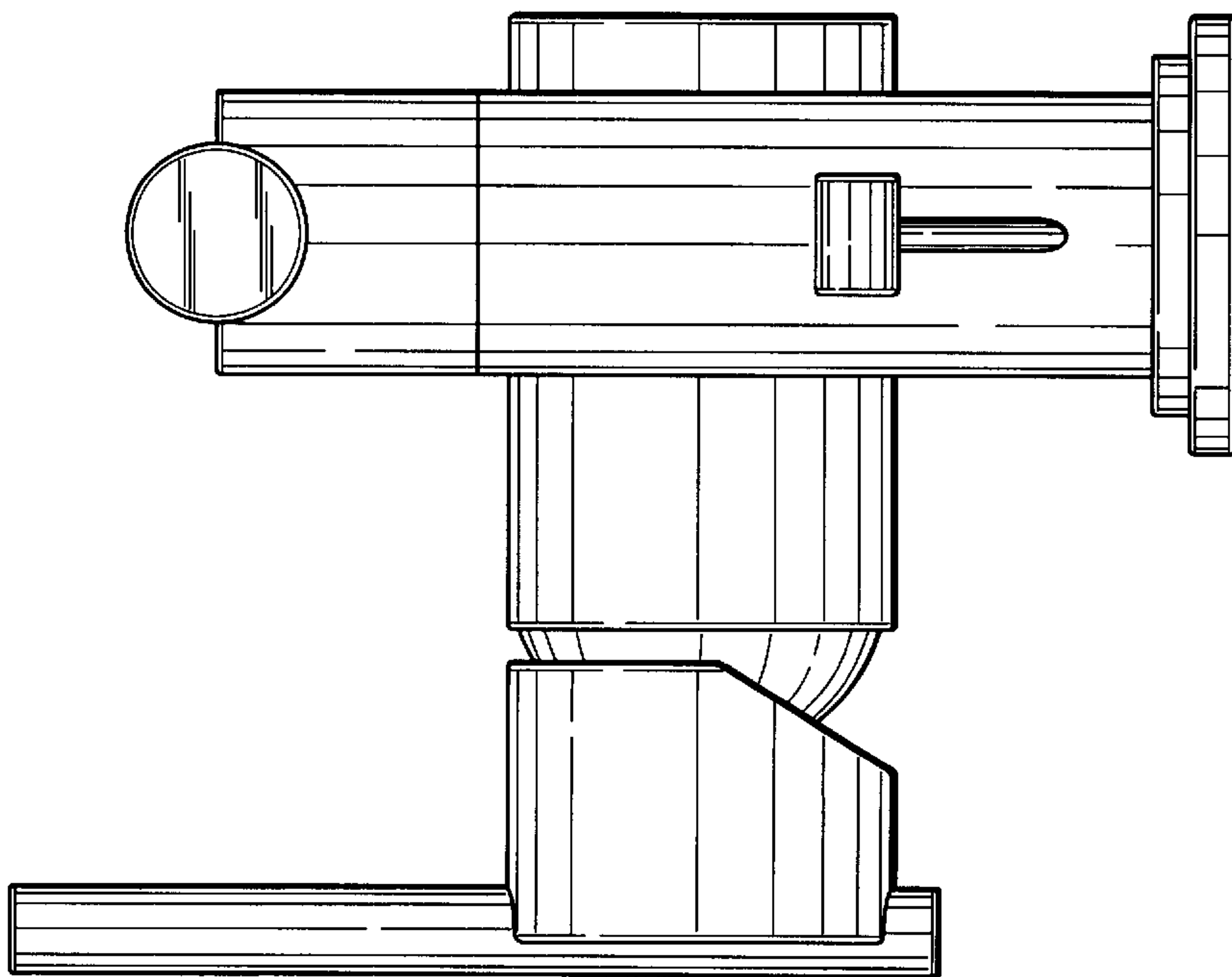


FIG. 4

FIG. 6

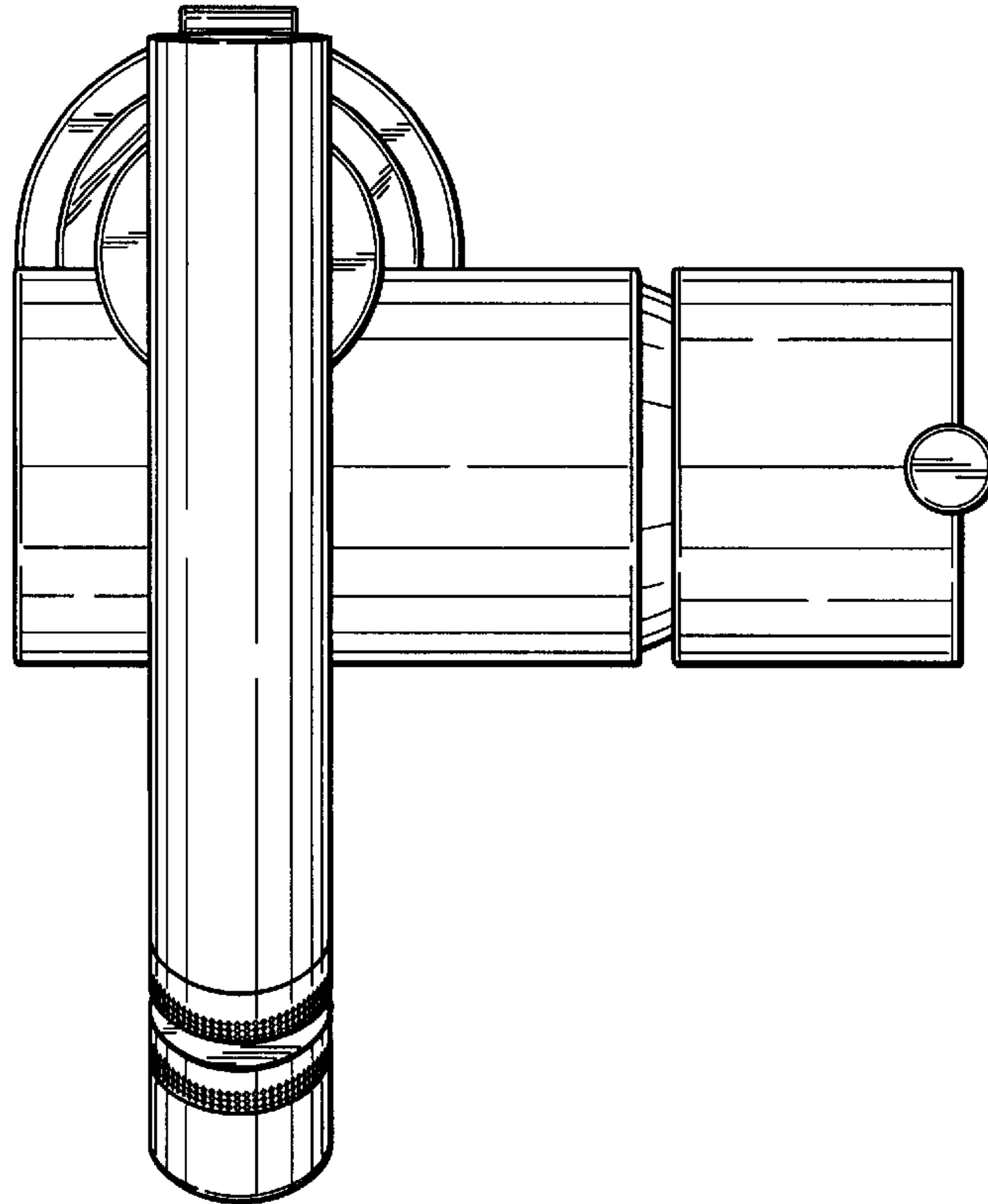


FIG. 7

