



US00D457600S

(12) **United States Design Patent**
Stone, III

(10) **Patent No.:** **US D457,600 S**

(45) **Date of Patent:** **** May 21, 2002**

(54) **FLOAT VALVE**

D368,131 S * 3/1996 Stone, III D23/236
D419,217 S * 1/2000 Lee D23/237

(76) Inventor: **Harley E. Stone, III**, 6842 Estrada Rd.,
Jacksonville, FL (US) 32217

* cited by examiner

(**) Term: **14 Years**

Primary Examiner—Nelson C. Holtje
(74) *Attorney, Agent, or Firm*—Thomas C. Saitta

(21) Appl. No.: **29/147,343**

(57) **CLAIM**

(22) Filed: **Aug. 27, 2001**

The ornamental design for a float valve, as shown and described.

(51) **LOC (7) Cl.** **23-01**

(52) **U.S. Cl.** **D23/236**

(58) **Field of Search** D23/233–237,
D23/244–249; 137/434, 447, 448–449

DESCRIPTION

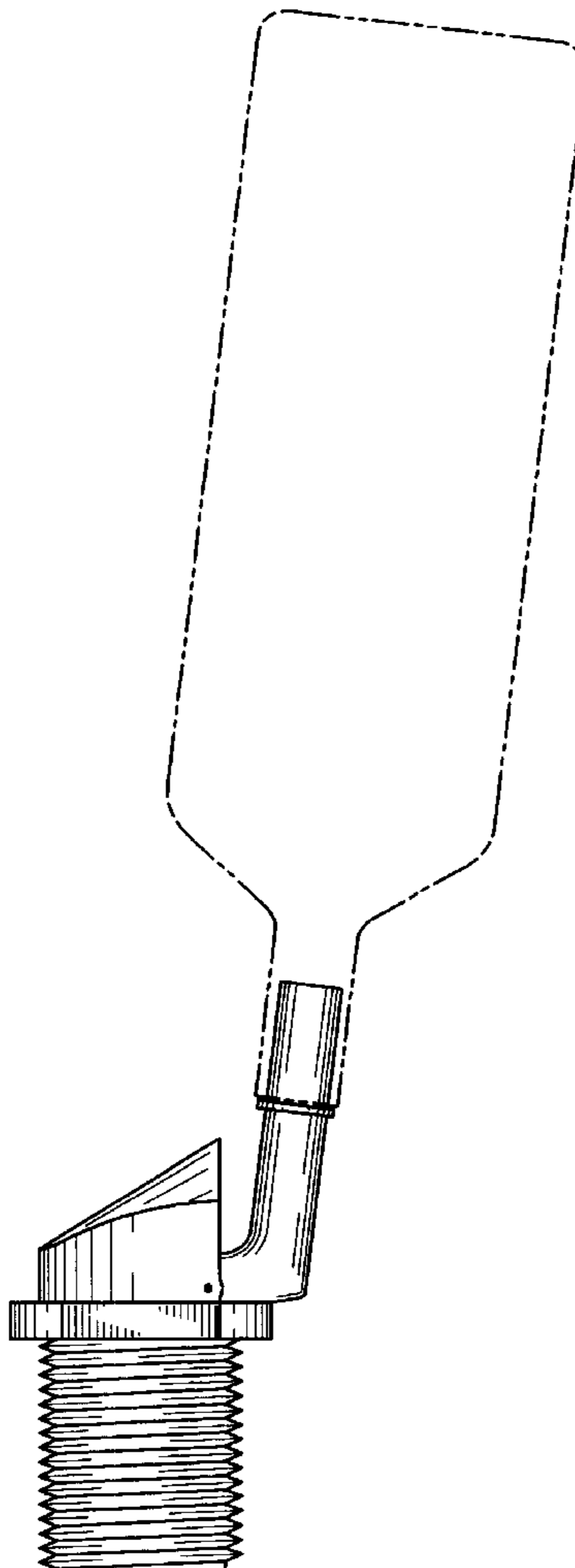
(56) **References Cited**

FIG. 1 is a left side view of the invention.
FIG. 2 is a right side view of the invention.
FIG. 3 is a top view of the invention.
FIG. 4 is a bottom view of the invention.
FIG. 5 is a front view of the invention; and,
FIG. 6 is a rear view of the invention.
The broken line showing of a float joined to the invention is for illustrative purposes only and forms no part of the claimed design.

U.S. PATENT DOCUMENTS

- 3,142,310 A * 7/1964 Feldermann 137/434
- D208,185 S * 7/1967 McLarty D23/236
- 3,863,670 A * 2/1975 Yeagle 137/437
- D257,544 S * 11/1980 Johnson D23/236
- 4,617,802 A * 10/1986 Fiedler 62/125
- 5,027,871 A * 7/1991 Guenther
- 5,141,644 A * 8/1992 Forde 137/448

1 Claim, 3 Drawing Sheets



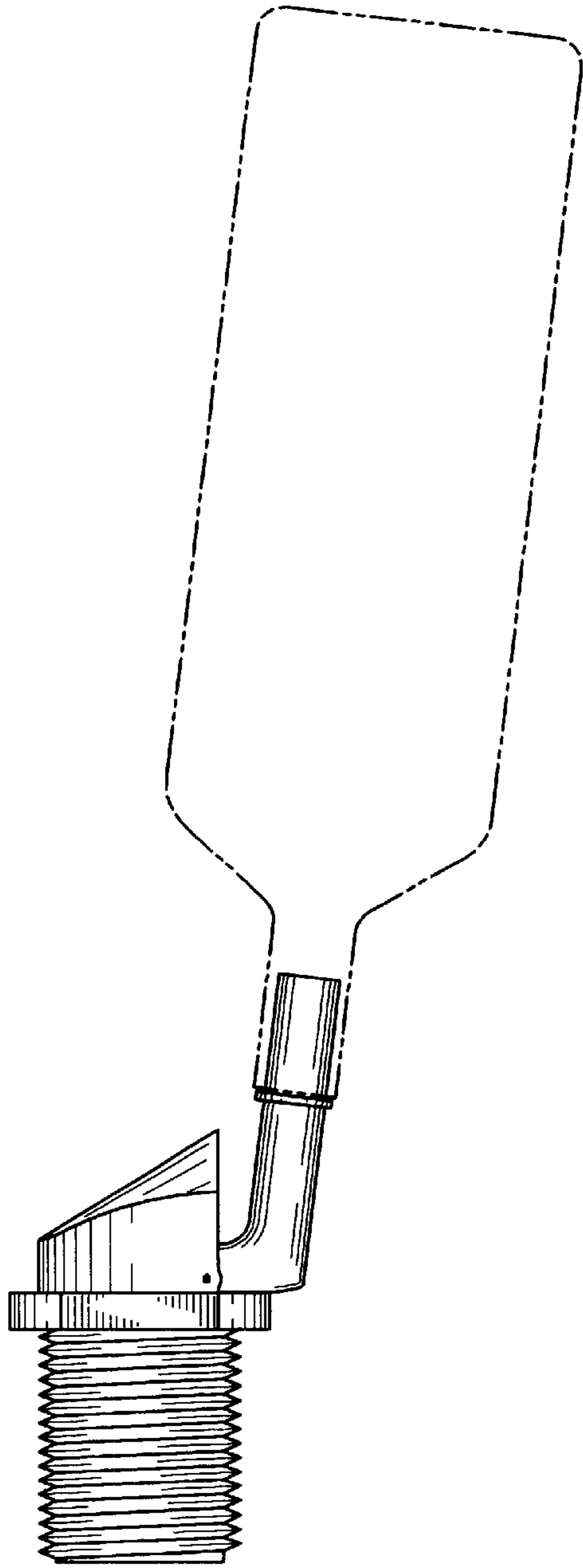


Fig. 1

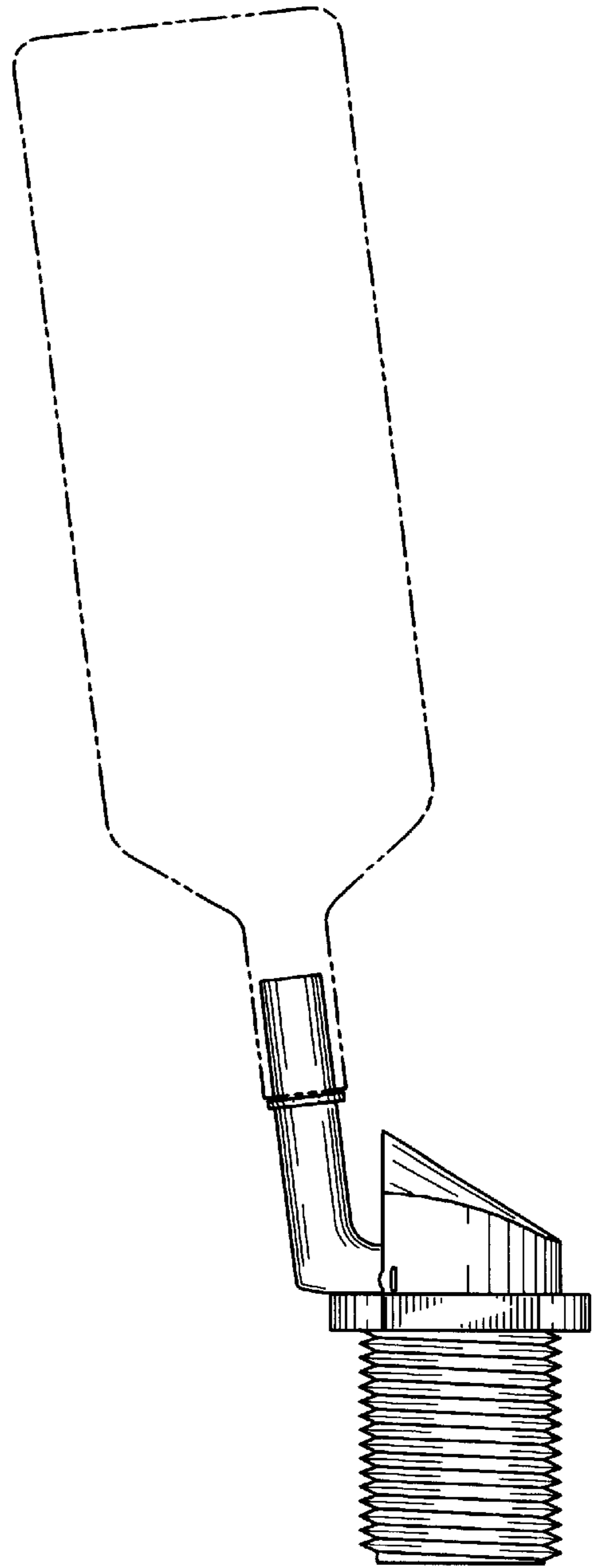


Fig. 2

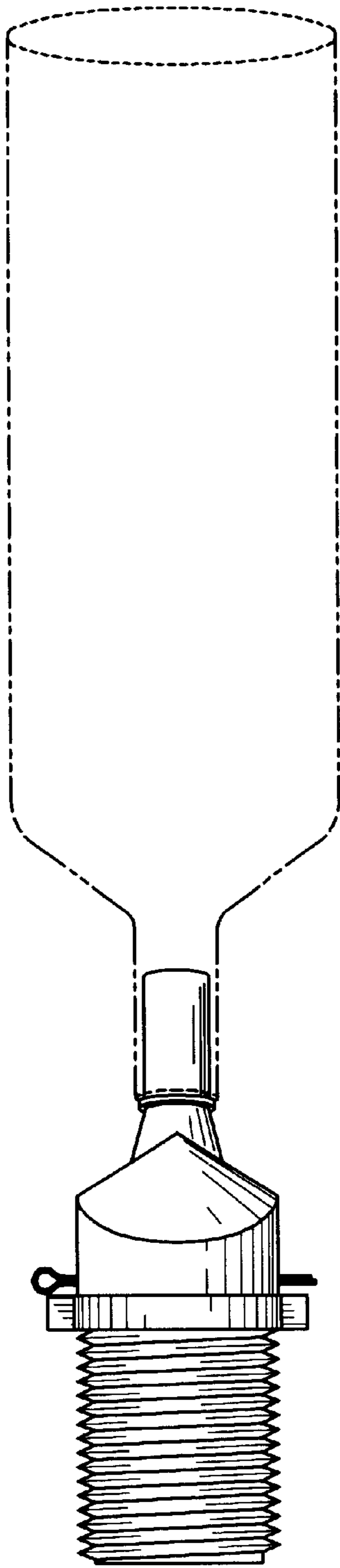


Fig. 3

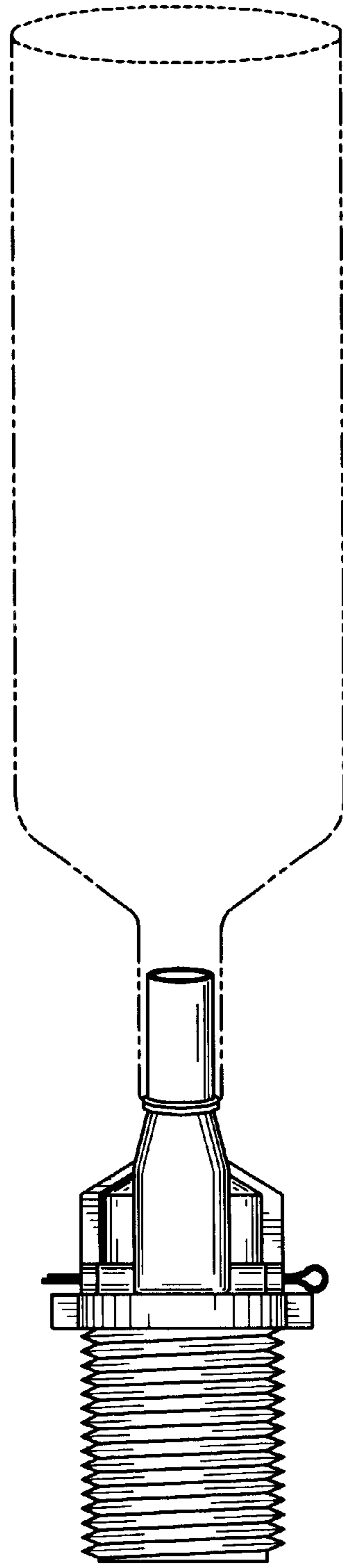


Fig. 4

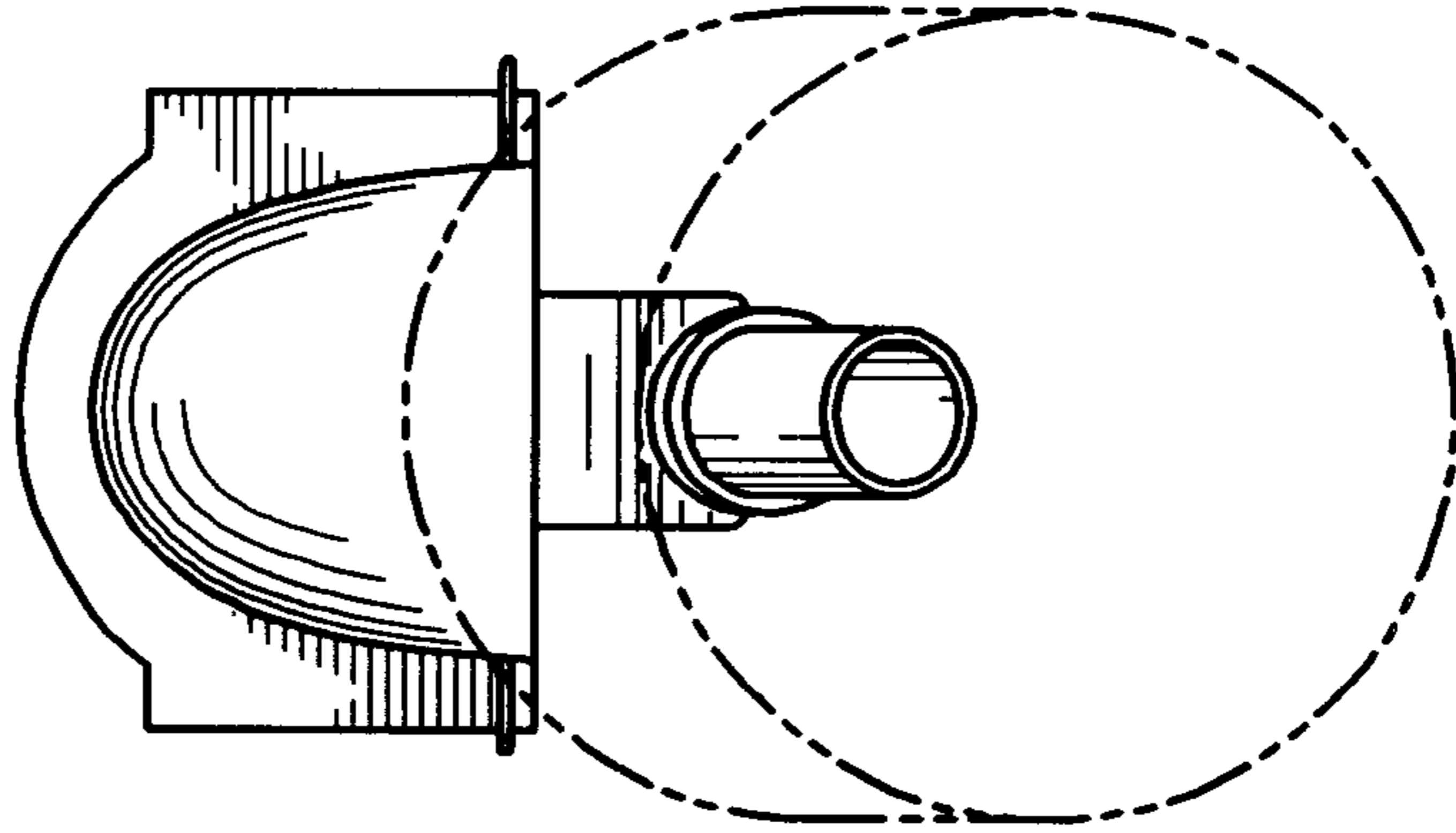


Fig. 5

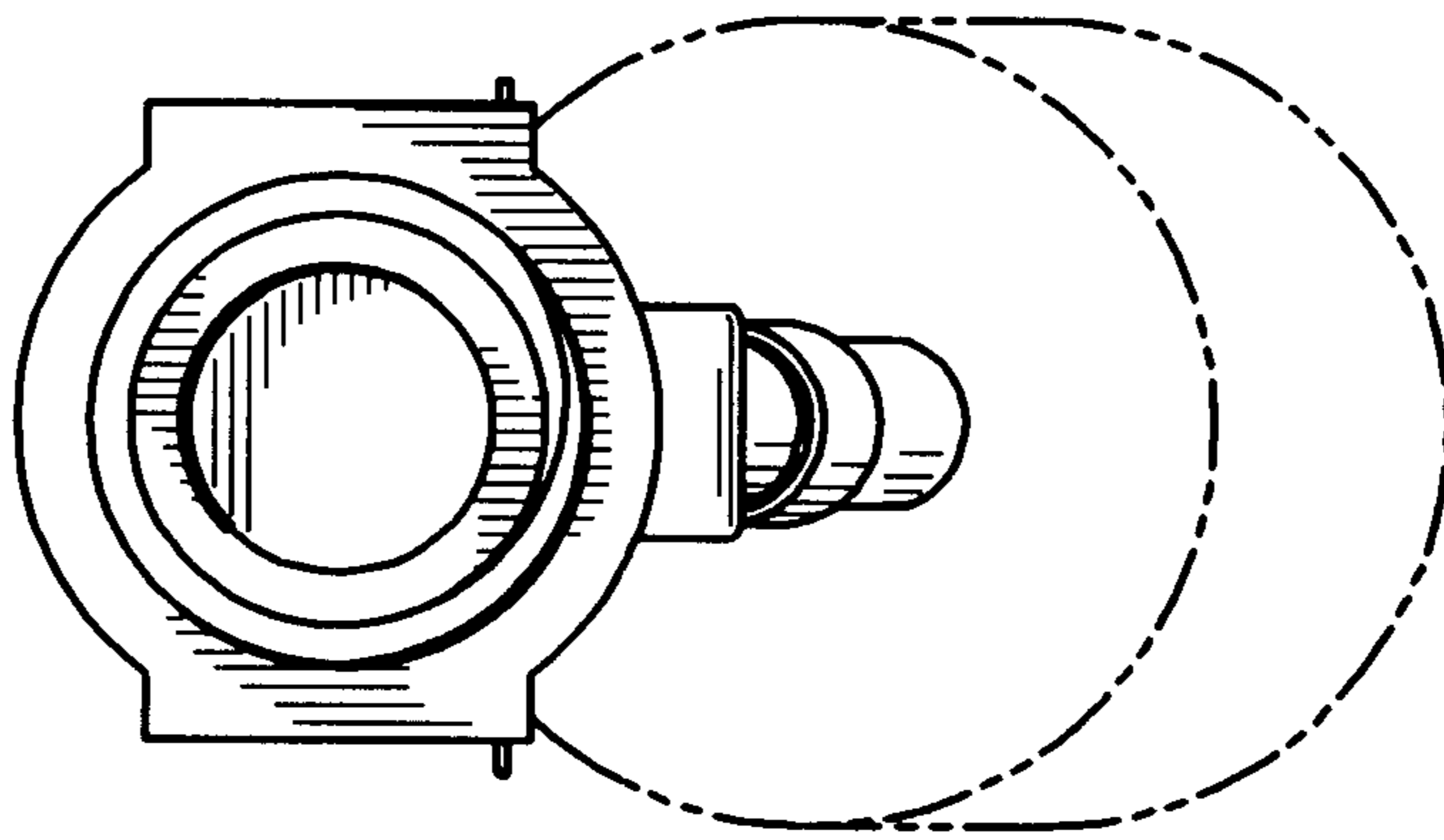


Fig. 6