



US00D457599S

(12) **United States Design Patent**  
**Karwoski et al.**

(10) **Patent No.:** **US D457,599 S**

(45) **Date of Patent:** **\*\* May 21, 2002**

(54) **ELECTROSTATIC SPRAY GUN**

(75) Inventors: **Stanley G. Karwoski**, Oakdale;  
**Richard D. Anderson**, Maple Grove;  
**Mark E. Ulrich**, Brooklyn Park; **Roger E. Wiersma**, Forest Lake, all of MN (US); **Mark C. Richter**, River Falls, WI (US)

(73) Assignee: **Graco Minnesota Inc.**, Minneapolis, MN (US)

(\*\*) Term: **14 Years**

(21) Appl. No.: **29/141,495**

(22) Filed: **May 7, 2001**

(51) **LOC (7) Cl.** ..... **23-01**

(52) **U.S. Cl.** ..... **D23/226**

(58) **Field of Search** ..... D23/213, 223,  
D23/226; 239/690, 691; 361/227, 228

(56) **References Cited**

**U.S. PATENT DOCUMENTS**

D133,394 S	*	8/1942	Sundberg et al.	.....	D23/226
4,162,042 A	*	7/1979	Mommsen et al.	.....	239/526
D305,453 S	*	1/1990	Morgan	.....	D23/226
4,993,642 A	*	2/1991	Hufgard	.....	239/526

**OTHER PUBLICATIONS**

VX-707 Spray Gun brochure 1989.\*

Graco Inc. Form No. 300-370, "PRO Air Spray", dated Dec. 1994.

\* cited by examiner

*Primary Examiner*—Robin V. Taylor

(74) *Attorney, Agent, or Firm*—Douglas B. Farrow

(57) **CLAIM**

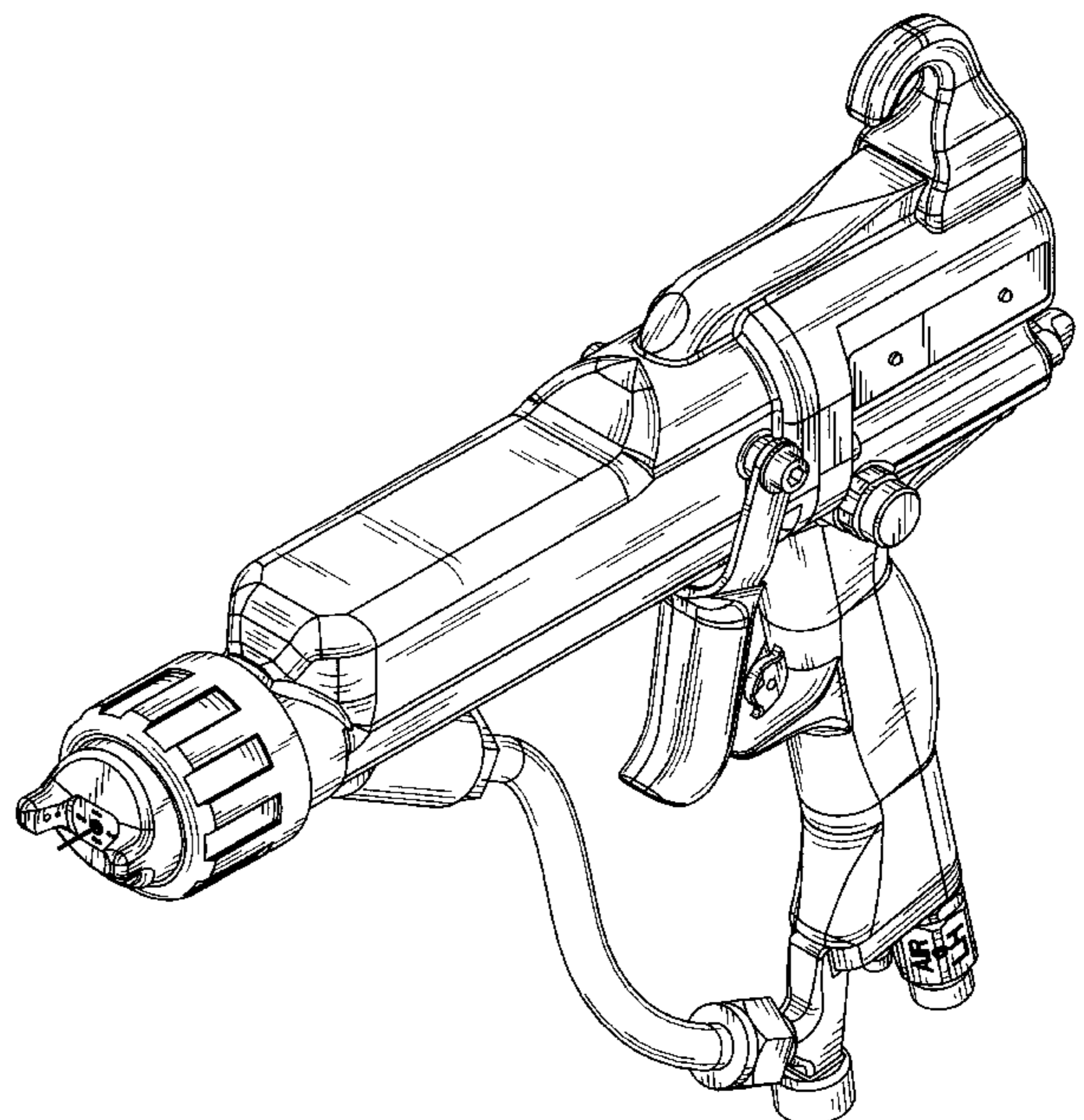
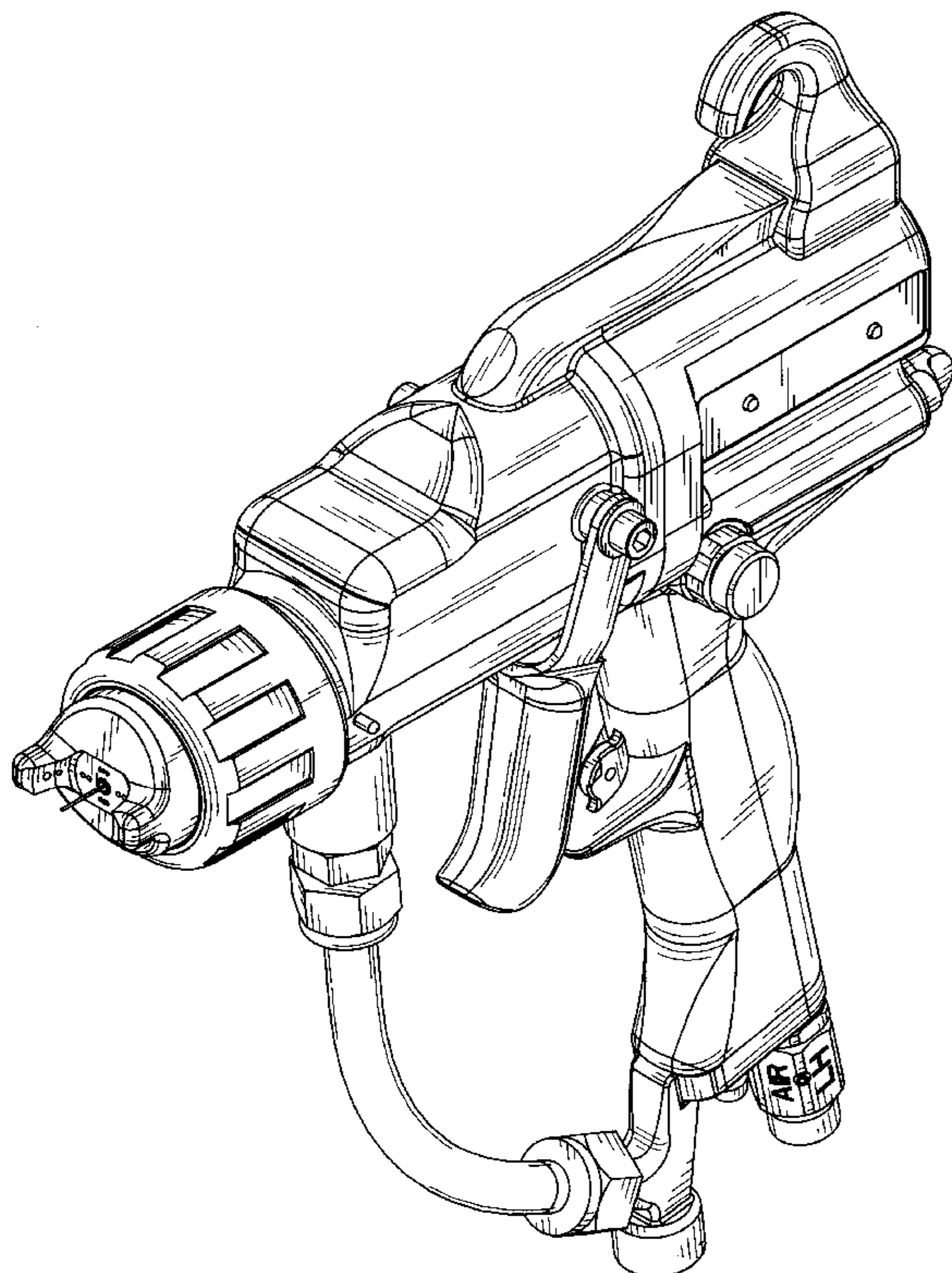
The ornamental design for the electrostatic spray gun, as shown and described.

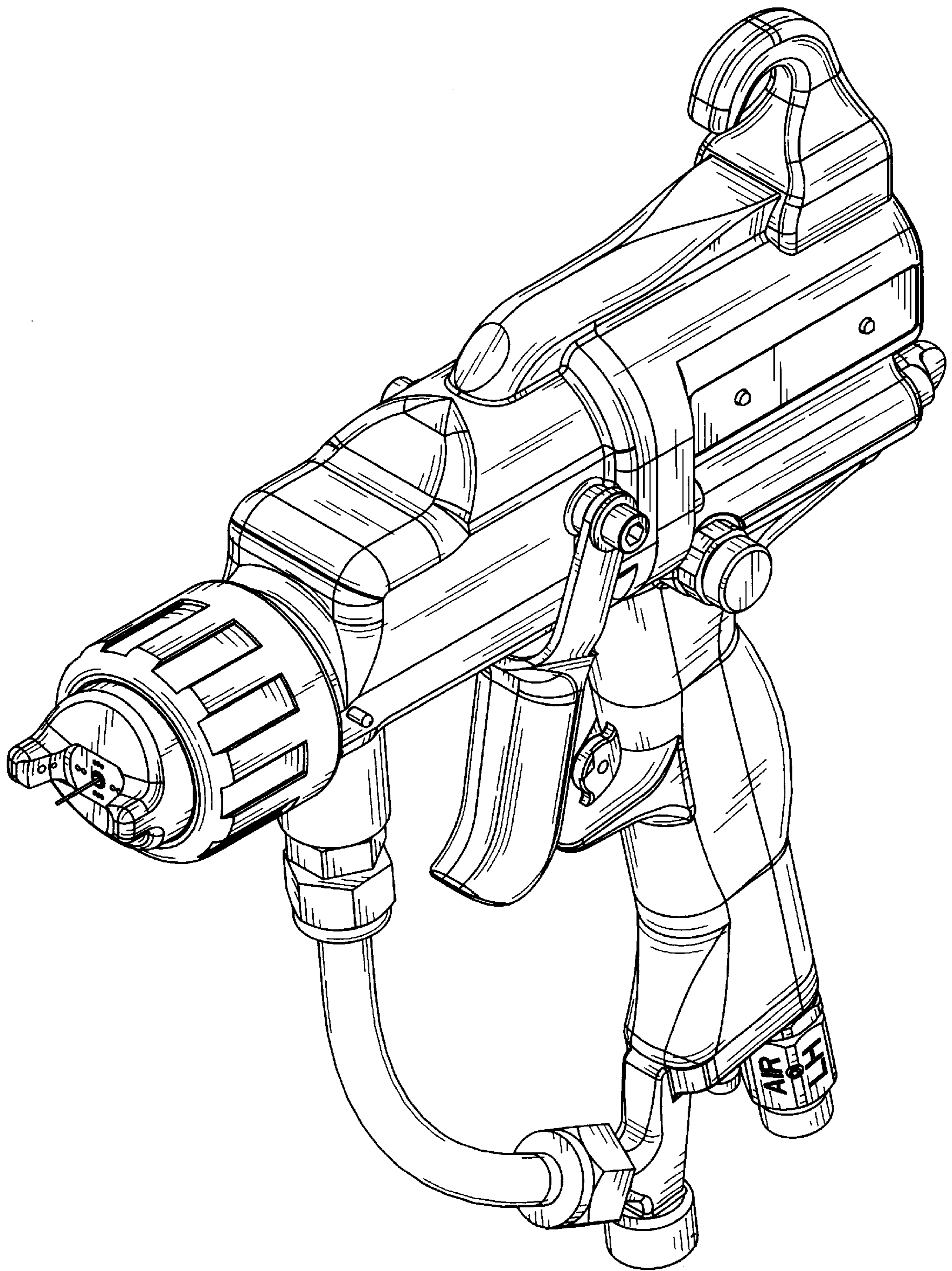
**DESCRIPTION**

FIG. 1 is a perspective view of the electrostatic spray gun; FIG. 2 is a front elevation view thereof; FIG. 3 is a rear elevation view thereof; FIG. 4 is a left side elevation view thereof; FIG. 5 is a right side elevation view thereof; FIG. 6 is a top elevation view thereof; FIG. 7 is a bottom elevation view thereof.

FIG. 8 is a perspective view of an alternate embodiment of the electrostatic spray gun; FIG. 9 is a front elevation view of the alternate embodiment; FIG. 10 is a rear elevation view of the alternate embodiment; FIG. 11 is a left side elevation view of the alternate embodiment; FIG. 12 is a right side elevation view of the alternate embodiment; FIG. 13 is a top elevation view of the alternate embodiment; and, FIG. 14 is a bottom elevation view of the alternate embodiment.

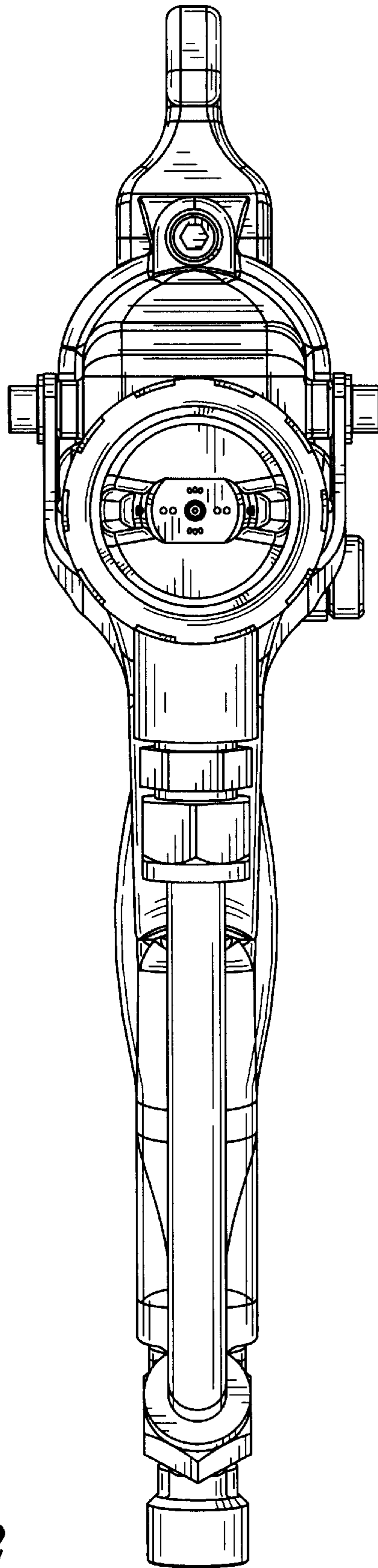
**1 Claim, 14 Drawing Sheets**



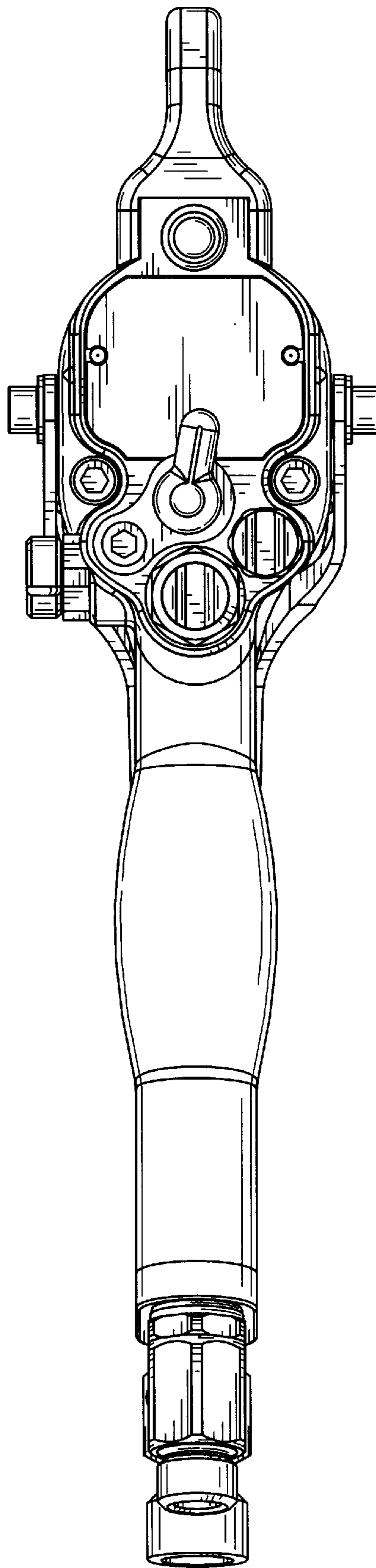


**FIG. 1**

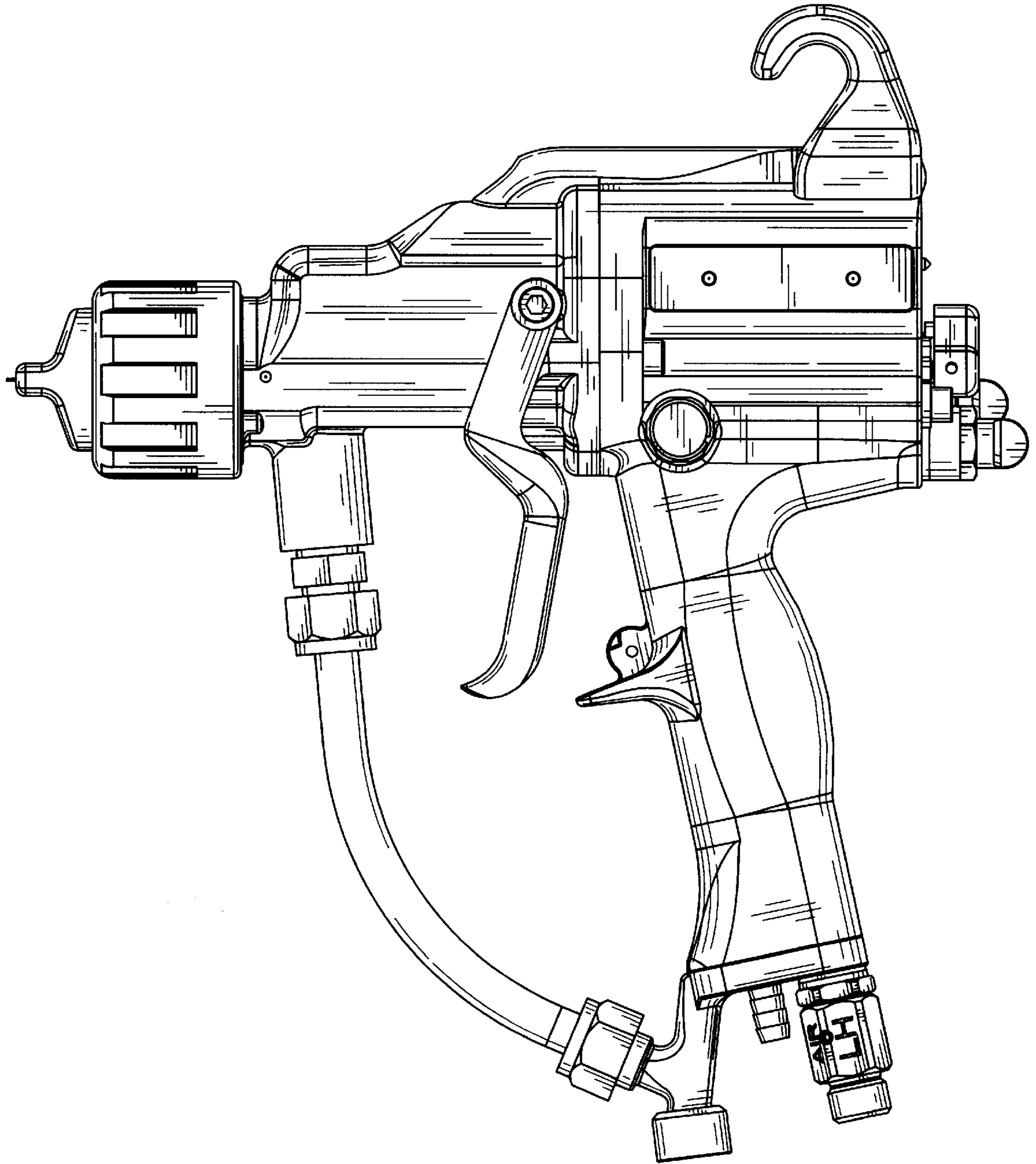




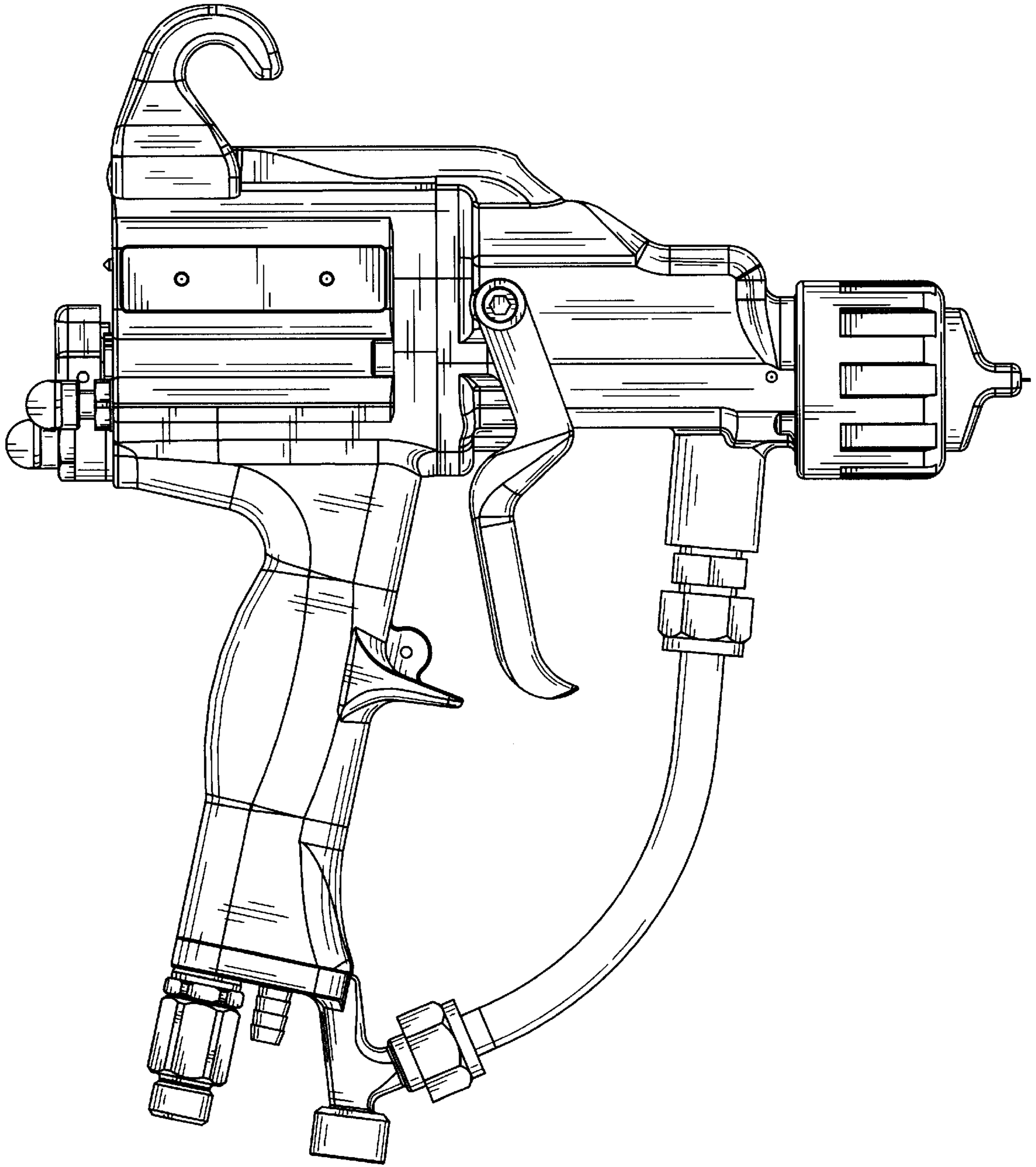
**FIG. 2**



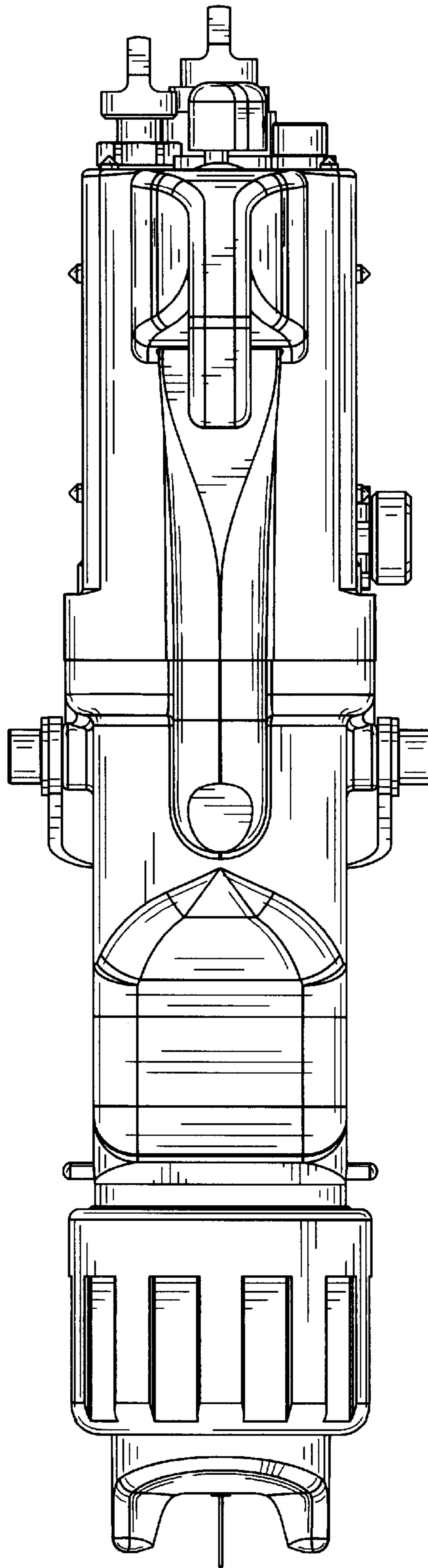
**FIG. 3**



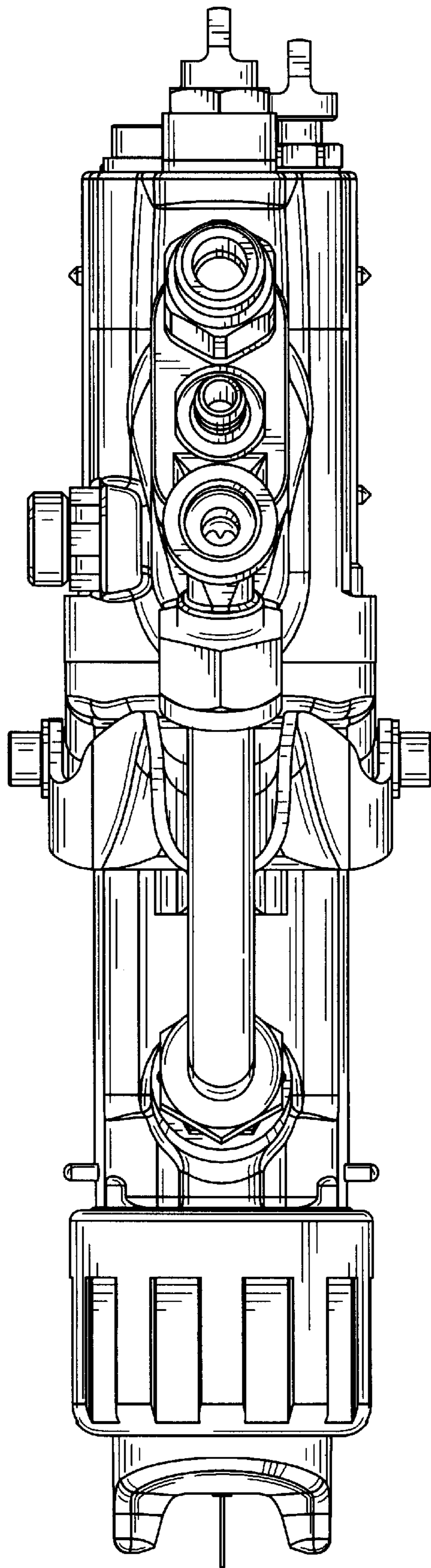
**FIG. 4**



**FIG. 5**

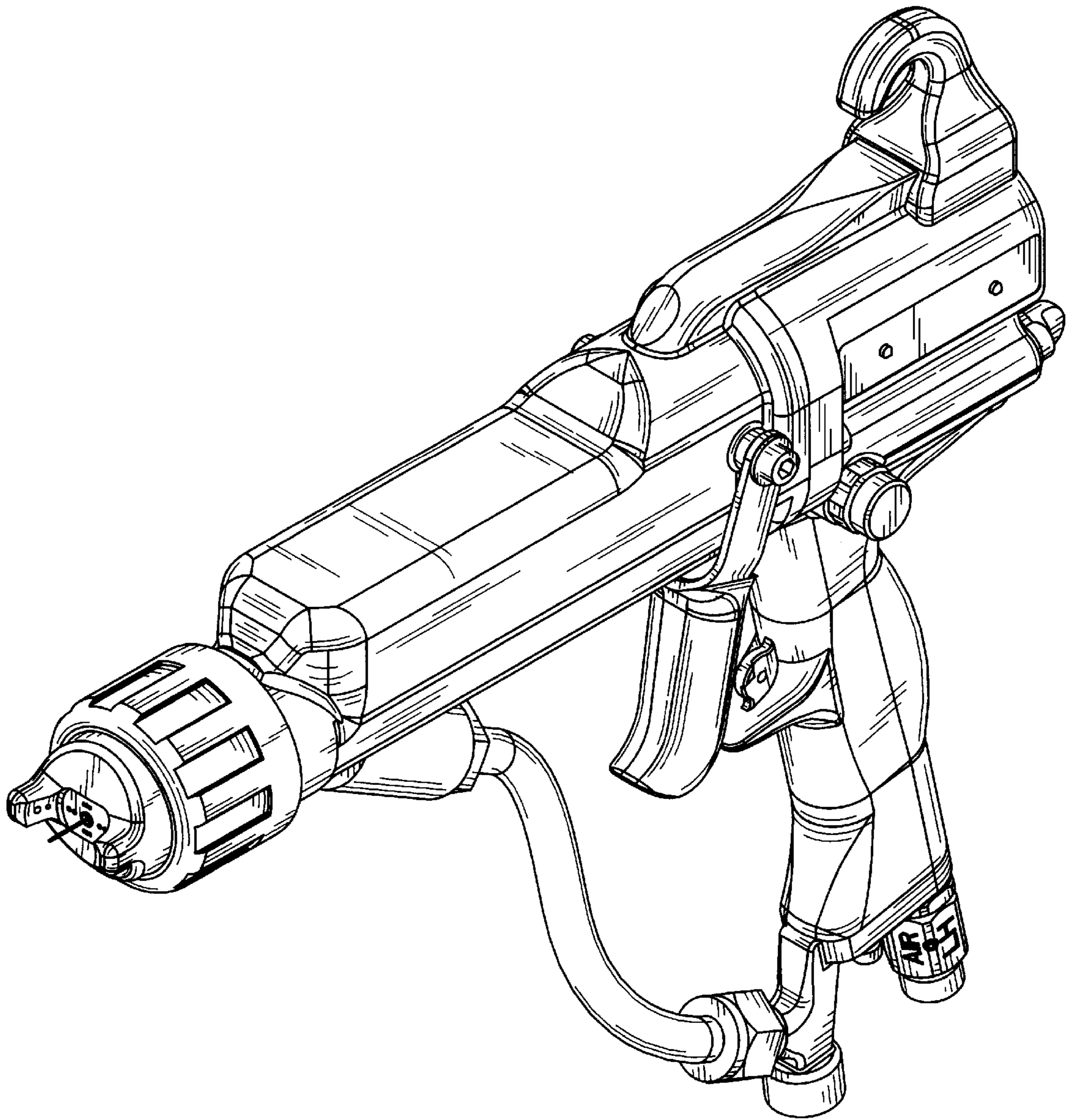


**FIG. 6**

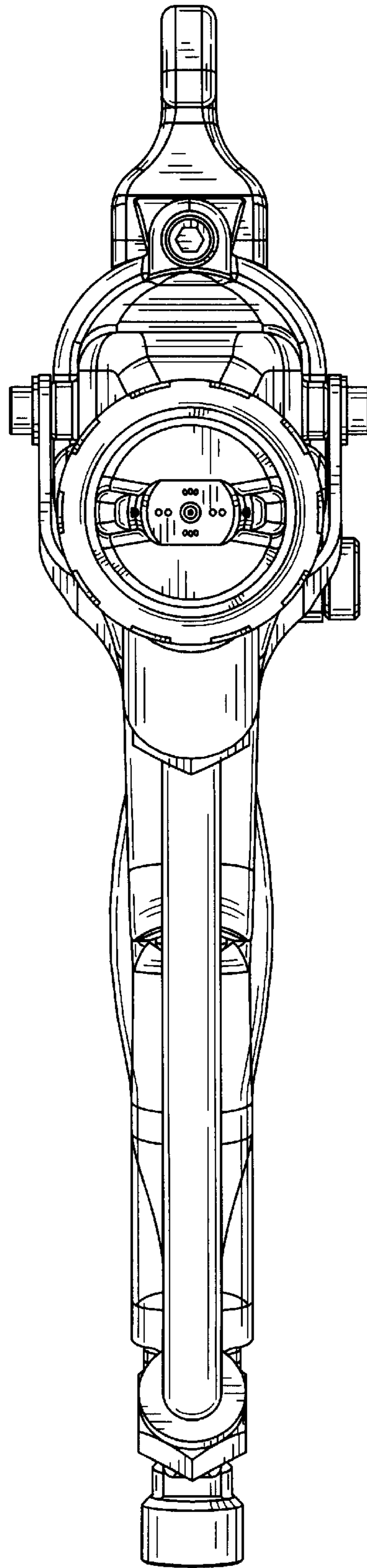


**FIG. 7**

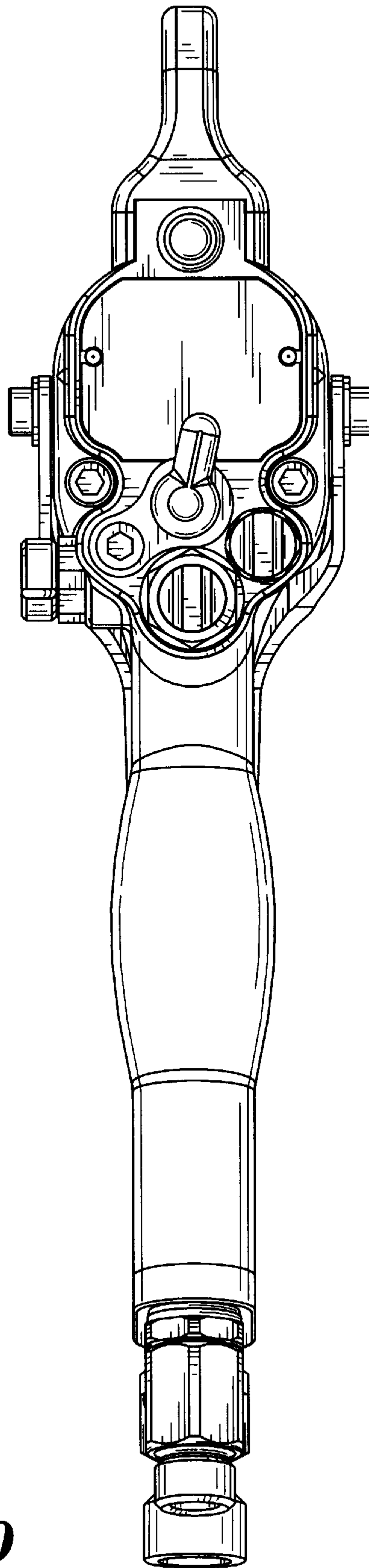




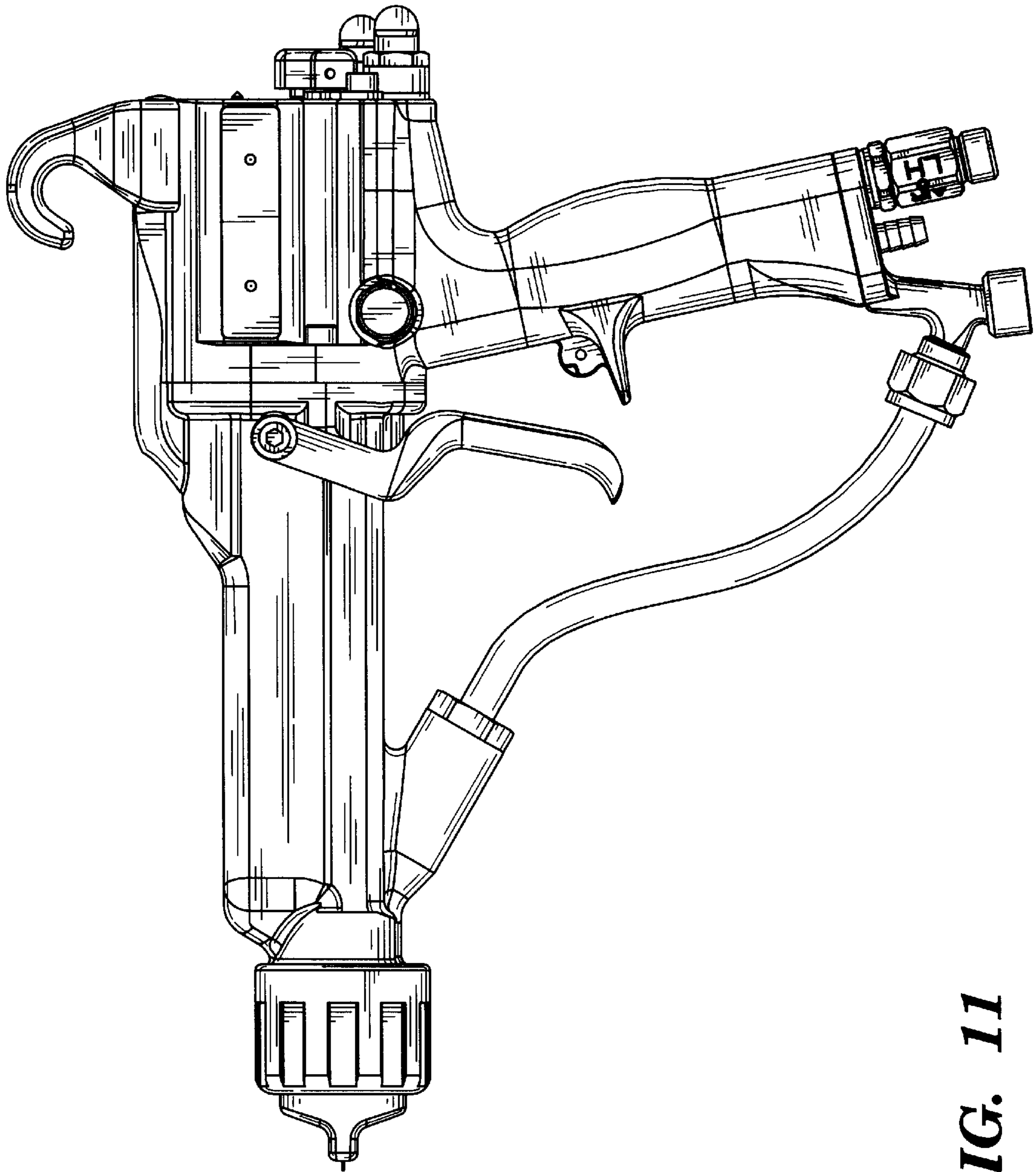
**FIG. 8**



**FIG. 9**

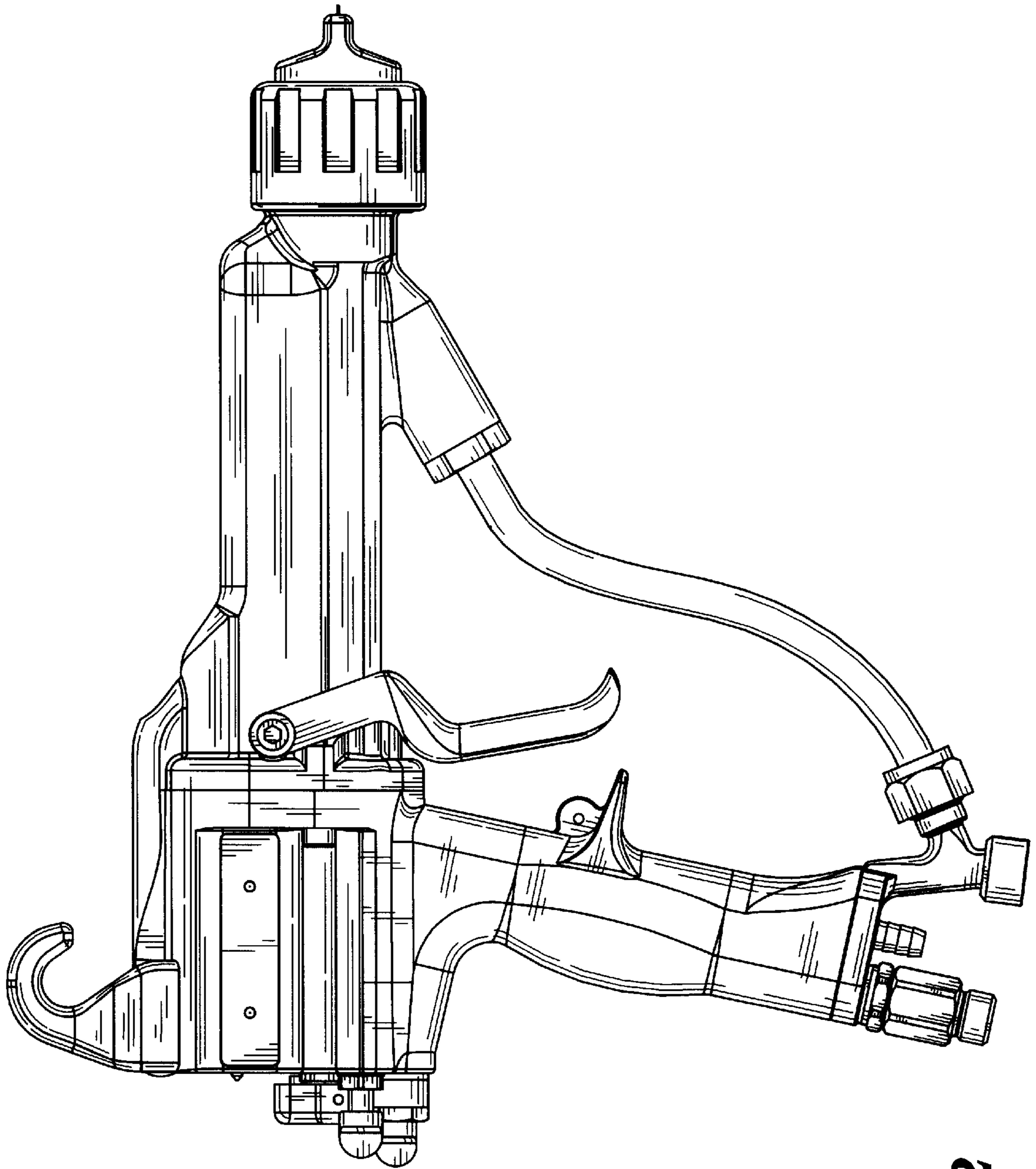


**FIG. 10**



**FIG. 11**





**FIG. 12**

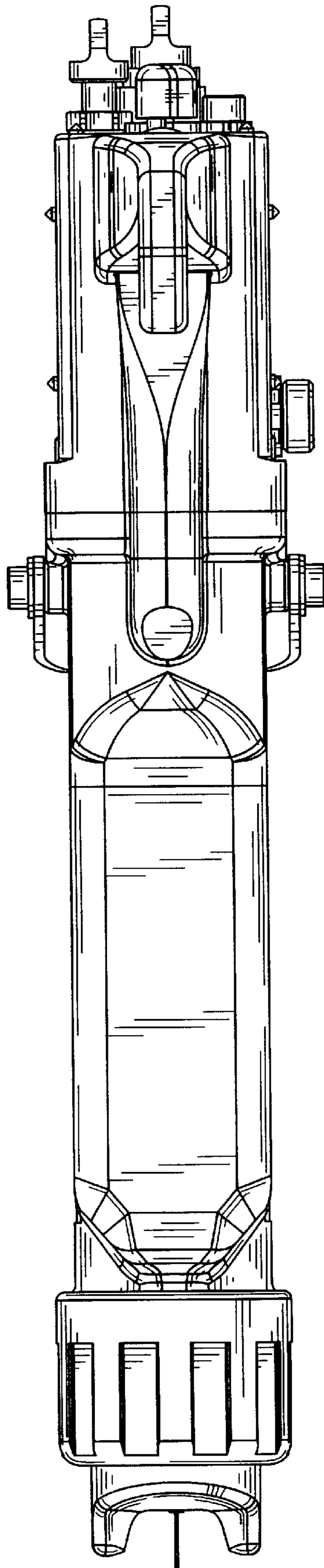
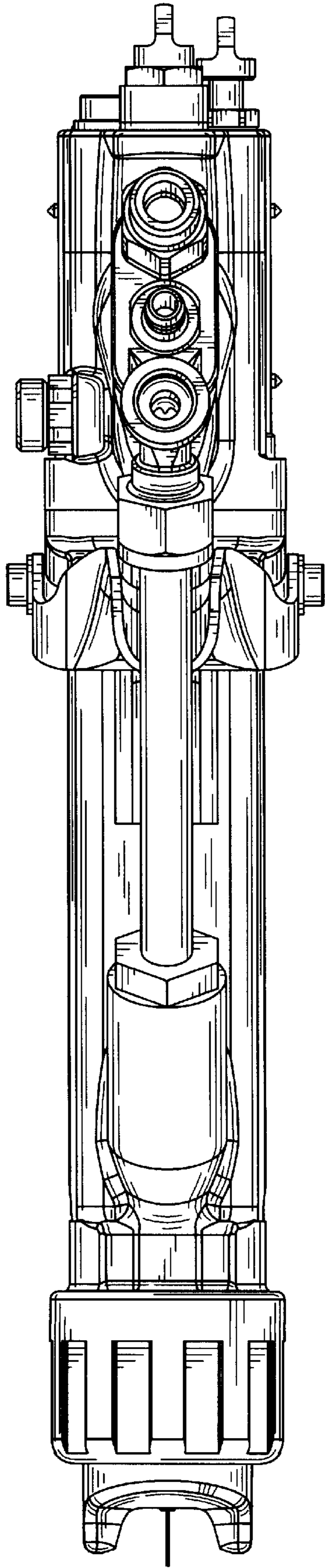


FIG. 13



**FIG. 14**