



US00D457598S

(12) **United States Design Patent**
Storti et al.

(10) **Patent No.:** **US D457,598 S**

(45) **Date of Patent:** **** May 21, 2002**

(54) **HAND SHOWER**

D424,163 S * 5/2000 Haug et al. D23/223
D428,110 S * 7/2000 Haug et al. D23/223

(75) Inventors: **Tim Storti**, Schwieberdingen; **Andreas Dimitriadis**, Leinzell; **Tom Schönherr**; **Andreas Haug**, both of Stuttgart, all of (DE)

OTHER PUBLICATIONS

GROHETEC catalog "Brausen-Programm," Mar. 1997, pp. 34 and 35.

Dornbracht prospectus "Kultur im Bad," 1998.

* cited by examiner

Primary Examiner—Robin V. Taylor

(73) Assignee: **Hansgrohe AG**, Schiltach (DE)

(**) Term: **14 Years**

(74) *Attorney, Agent, or Firm*—Duane Morris LLP

(21) Appl. No.: **29/138,647**

(22) Filed: **Mar. 16, 2001**

(57) **CLAIM**

(30) **Foreign Application Priority Data**

Sep. 19, 2000 (DE) 4 00 09 020

The ornamental design for a hand shower, as shown and described.

DESCRIPTION

(51) **LOC (7) Cl.** **23-01**

(52) **U.S. Cl.** **D23/223**

(58) **Field of Search** D23/213, 214,
D23/223, 226; 239/394, 460-462

FIG. 1 is a side perspective view of a hand shower showing our new design;

FIG. 2 is a side elevation view thereof;

FIG. 3 is a front elevation view thereof;

FIG. 4 is a bottom plan view thereof;

FIG. 5 is a top plan view thereof;

FIG. 6 is a rear elevation view thereof; and,

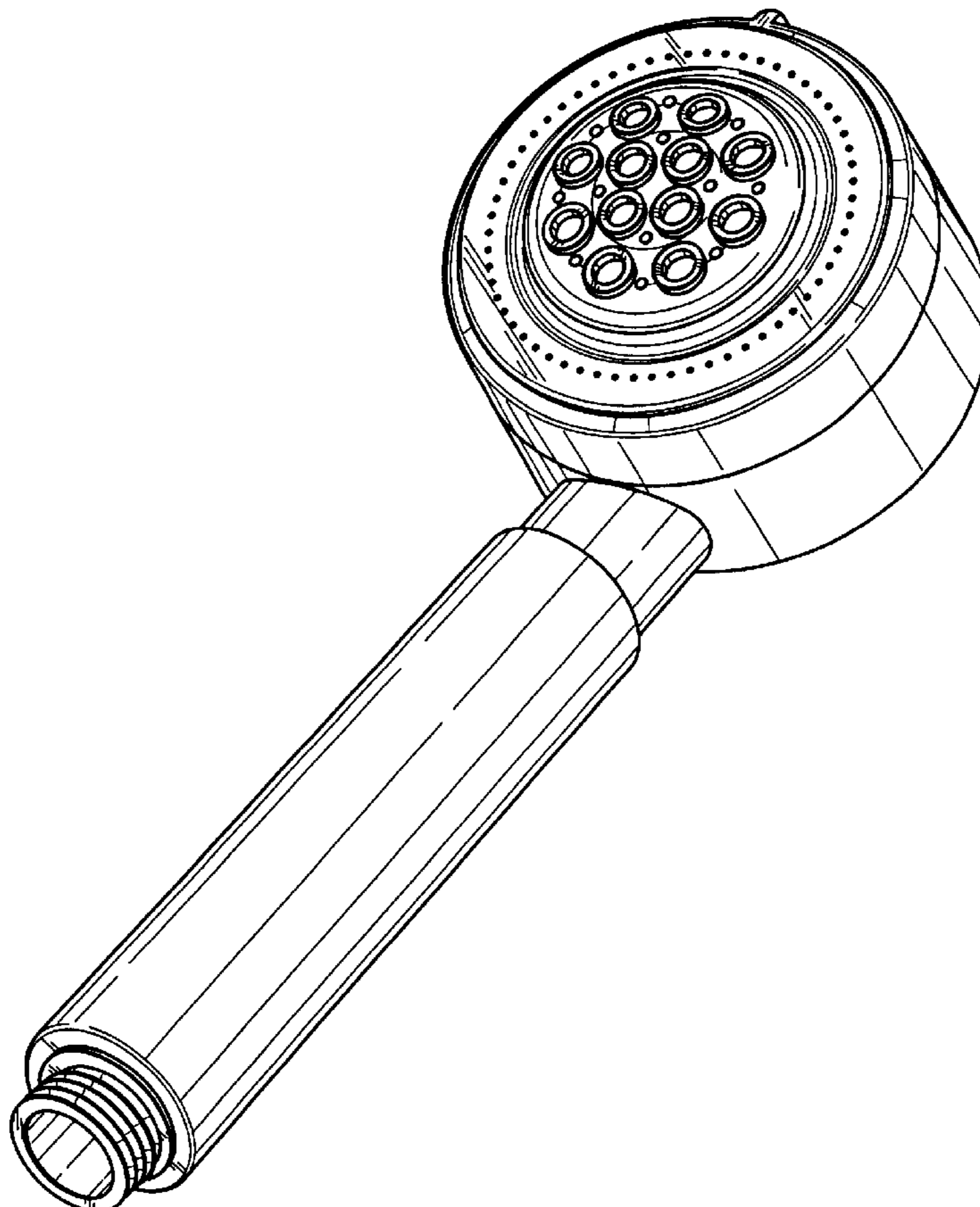
FIG. 7 is the other side elevation view thereof.

(56) **References Cited**

U.S. PATENT DOCUMENTS

D328,634 S * 8/1992 Ward D23/223
D367,315 S * 2/1996 Andrus D23/223
D423,083 S * 4/2000 Haug et al. D23/223

1 Claim, 3 Drawing Sheets



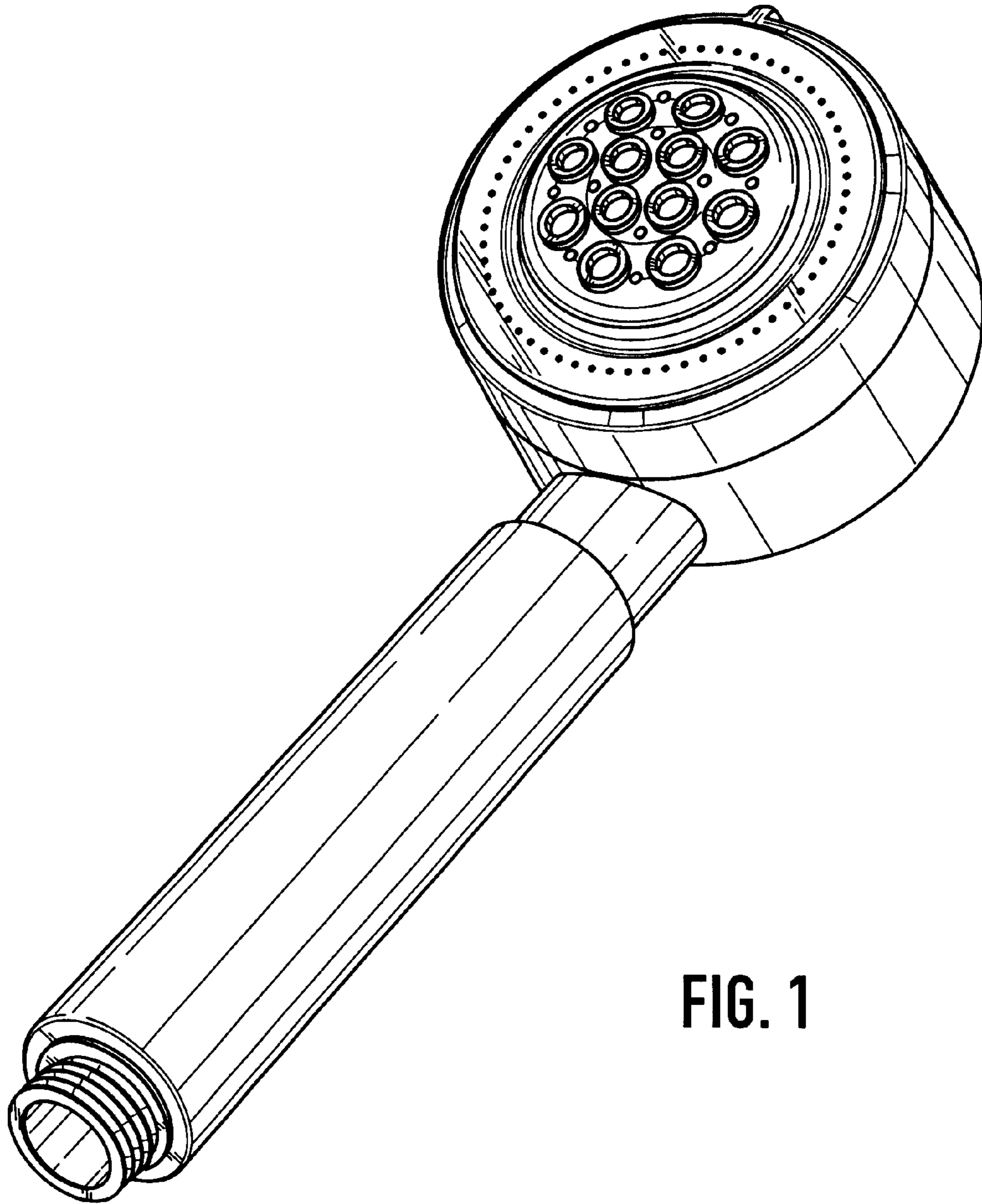


FIG. 1

FIG. 2

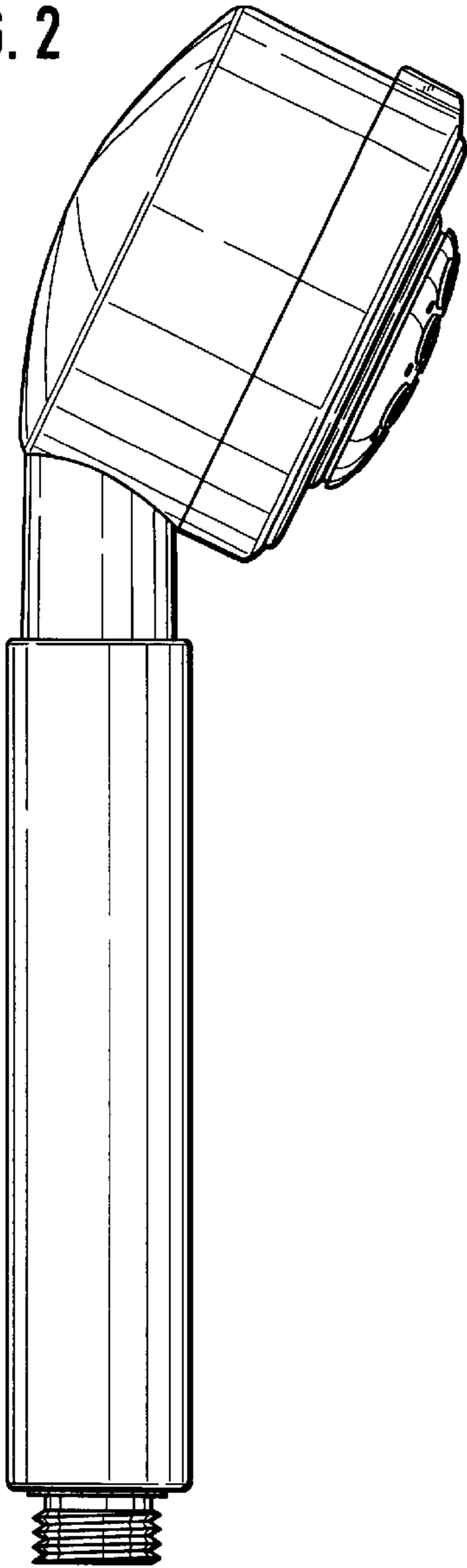


FIG. 3

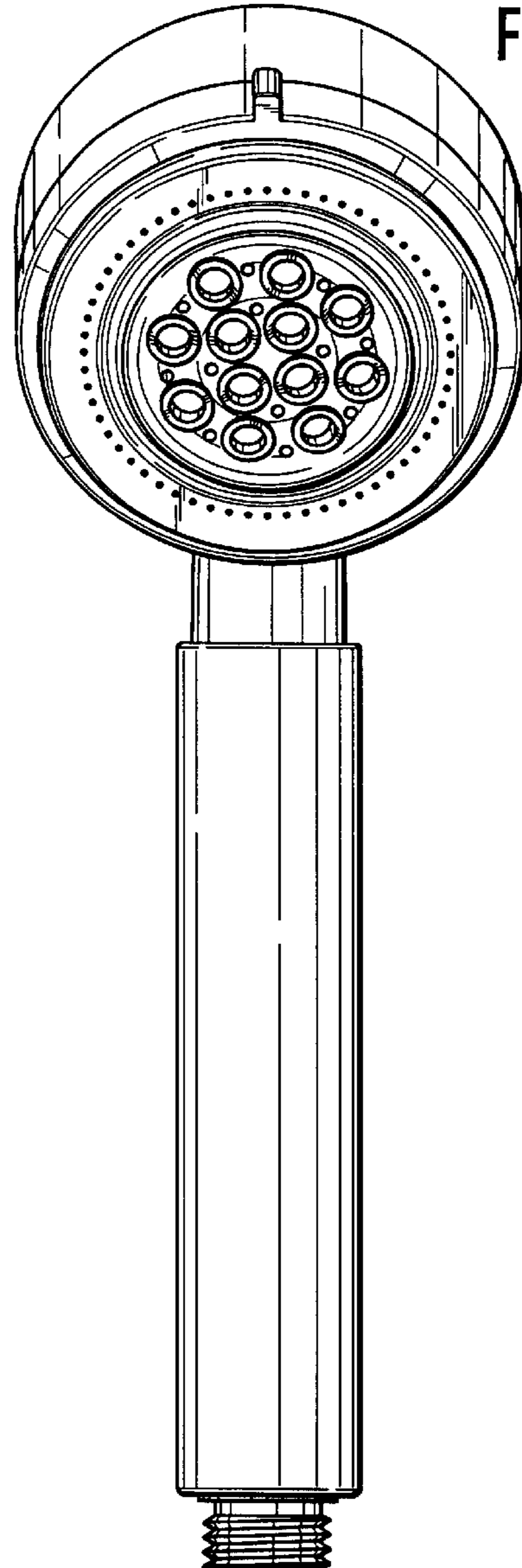
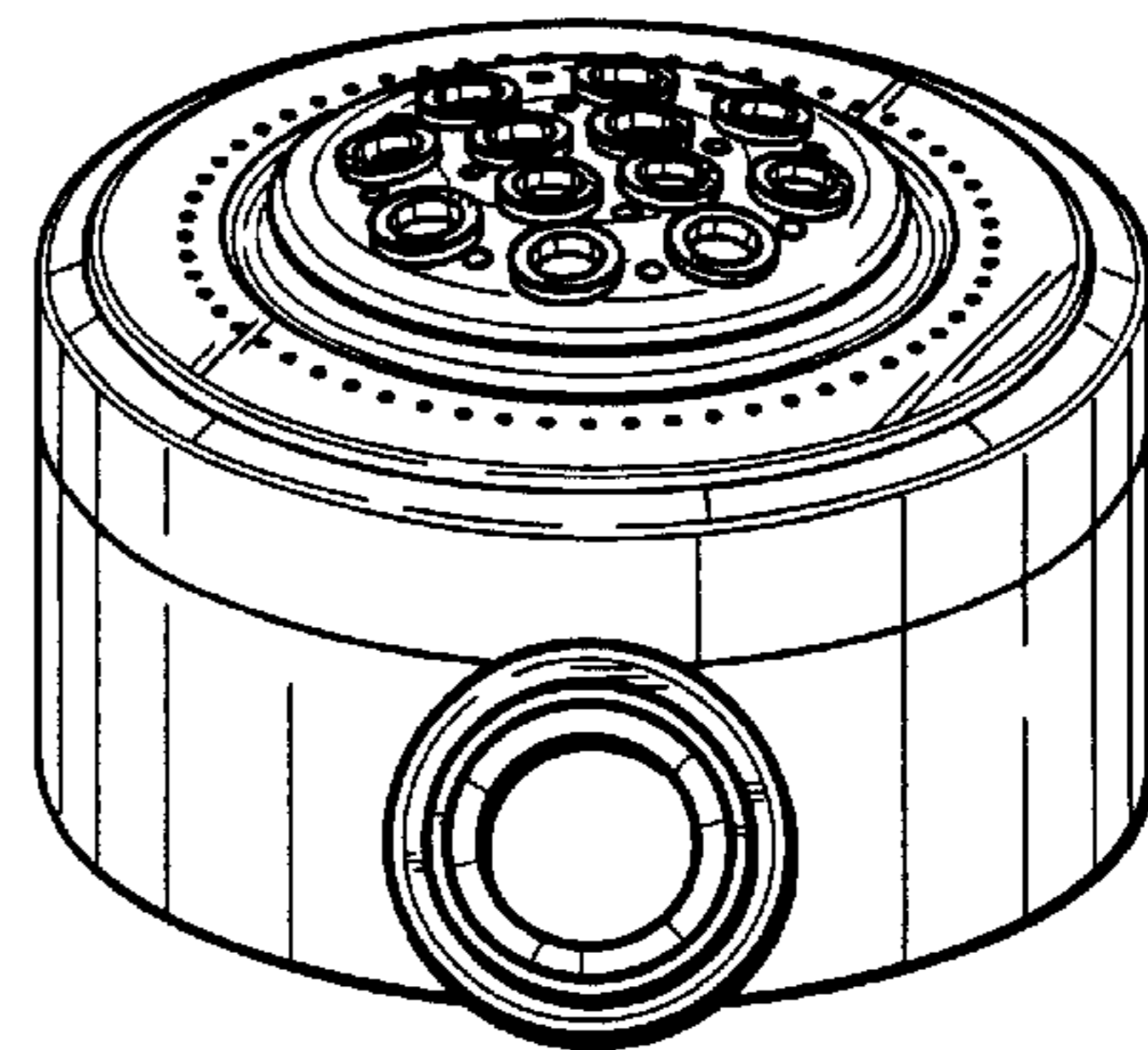


FIG. 4



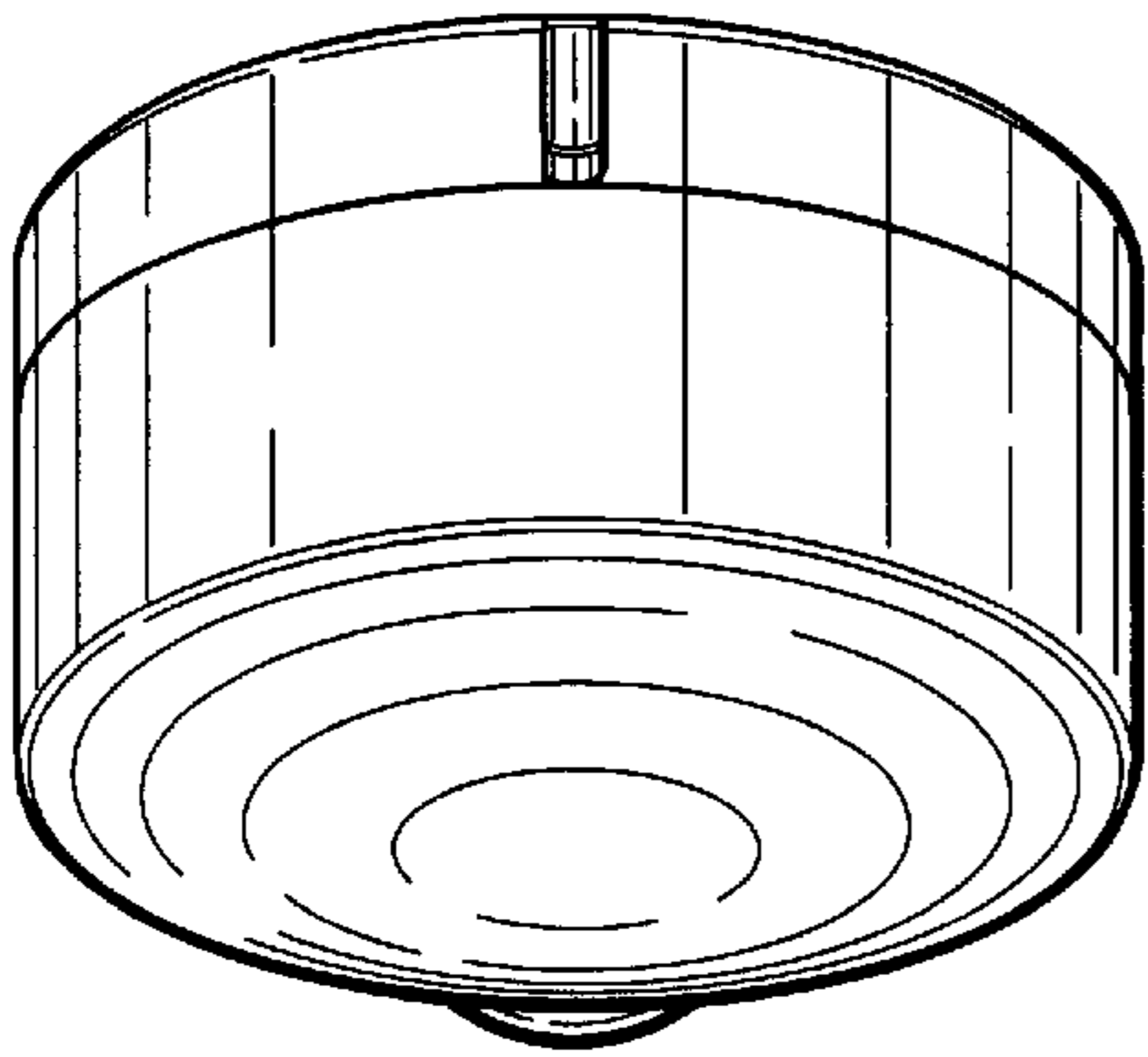


FIG. 5

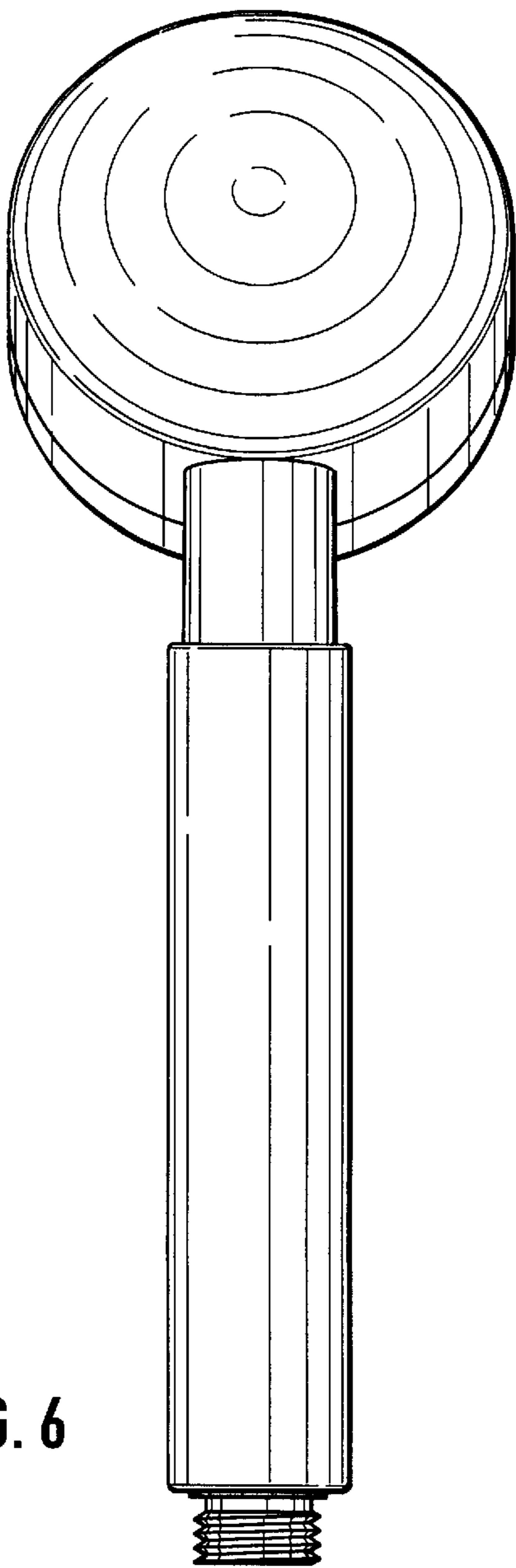


FIG. 6

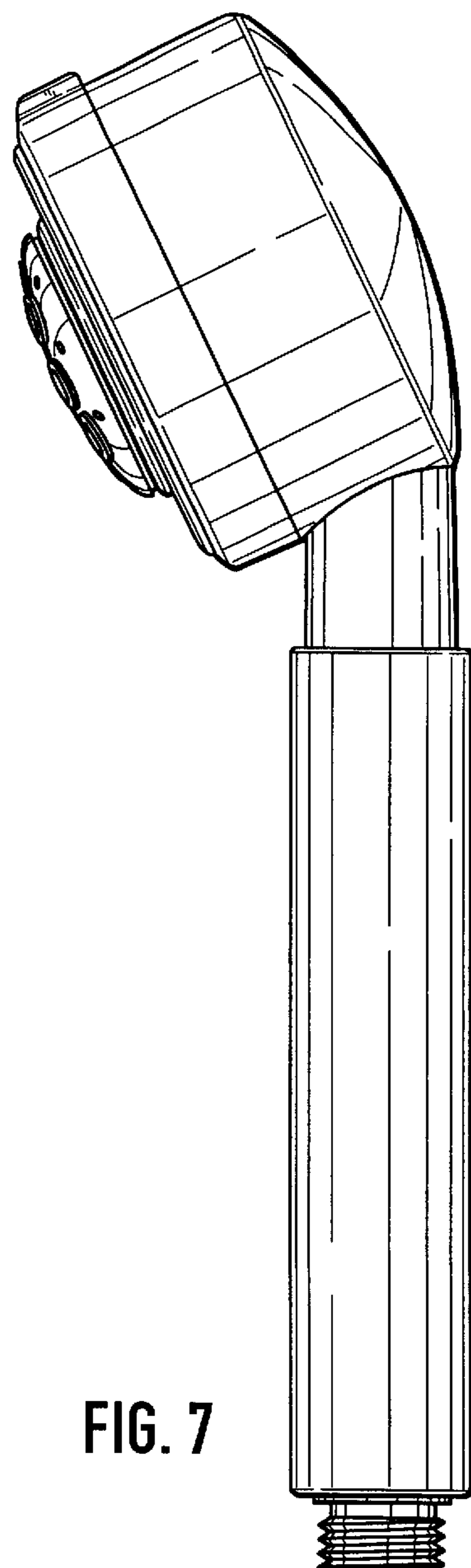


FIG. 7