



US00D457597S

(12) **United States Design Patent**
Chen

(10) **Patent No.:** **US D457,597 S**

(45) **Date of Patent:** **** May 21, 2002**

(54) **WATER SPRINKLER**

(75) **Inventor:** **Chin-Yuan Chen**, Chang-Hua Hsien (TW)

(73) **Assignee:** **Shin Tai Spurt Water of the Garden Tools Co.,Ltd.**, Chang-Hua Hsien (TW)

(**) **Term:** **14 Years**

(21) **Appl. No.:** **29/141,230**

(22) **Filed:** **May 3, 2001**

(51) **LOC (7) Cl.** **23-01**

(52) **U.S. Cl.** **D23/220**

(58) **Field of Search** D23/213-215,
D23/216, 220, 221; 239/225.1, 251, 237,
273

(56) **References Cited**

U.S. PATENT DOCUMENTS

4,193,549 A * 3/1980 Gladstone 239/251

D313,269 S * 12/1990 Clivio D23/220

D346,009 S * 4/1994 Simonetti et al. D23/220

D412,556 S * 8/1999 Hsin-Fa D23/214

* cited by examiner

Primary Examiner—Robin V. Taylor

(74) *Attorney, Agent, or Firm*—Harrison & Egbert

(57) **CLAIM**

I claim the ornamental design for a water sprinkler, as shown and described.

DESCRIPTION

FIG. 1 is an upper perspective view of the water sprinkler showing my design.

FIG. 2 is a front view thereof;

FIG. 3 is a back view thereof;

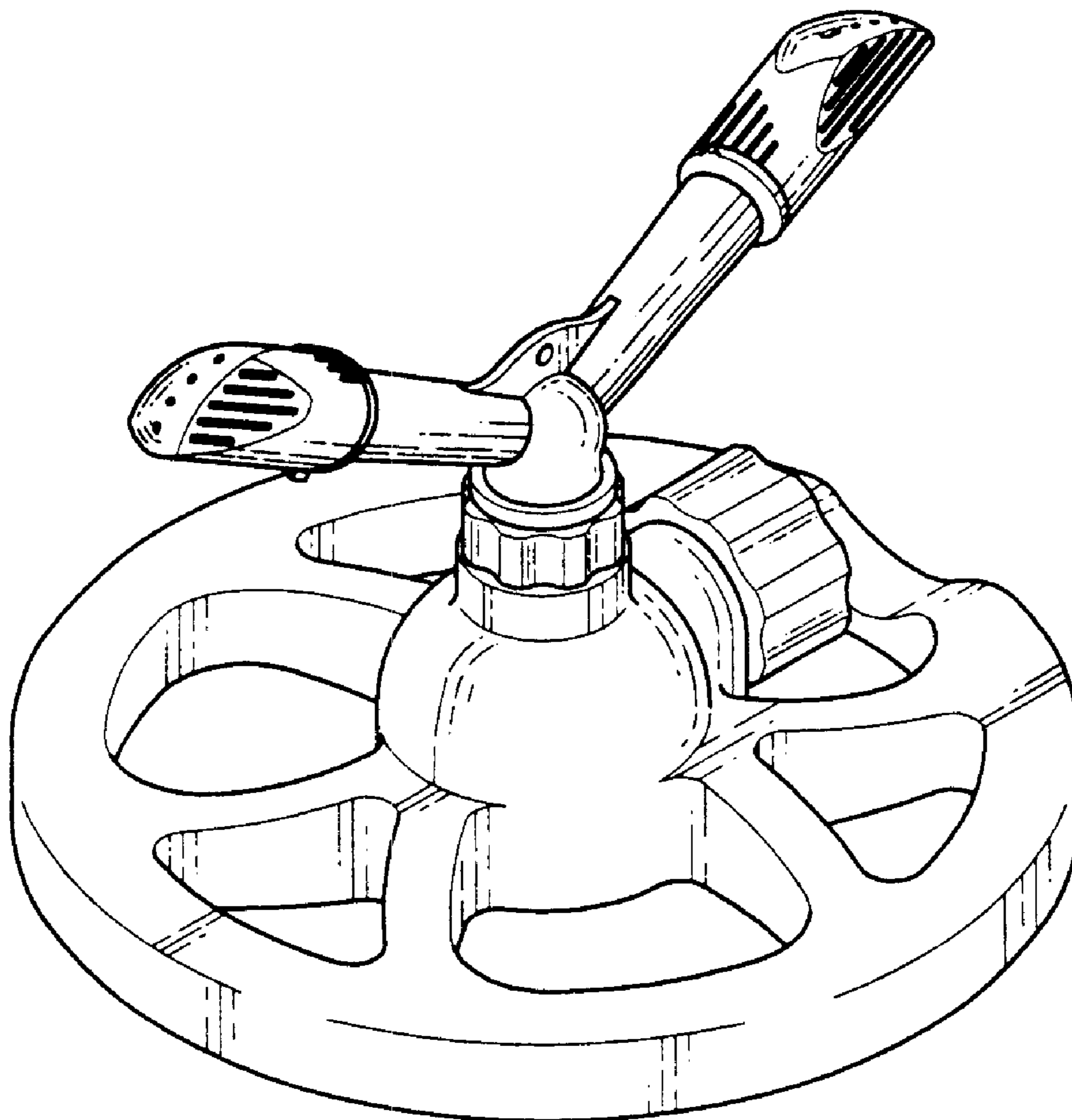
FIG. 4 is a side view thereof;

FIG. 5 is an opposite side view thereof;

FIG. 6 is a top view thereof; and,

FIG. 7 is a bottom view thereof.

1 Claim, 4 Drawing Sheets



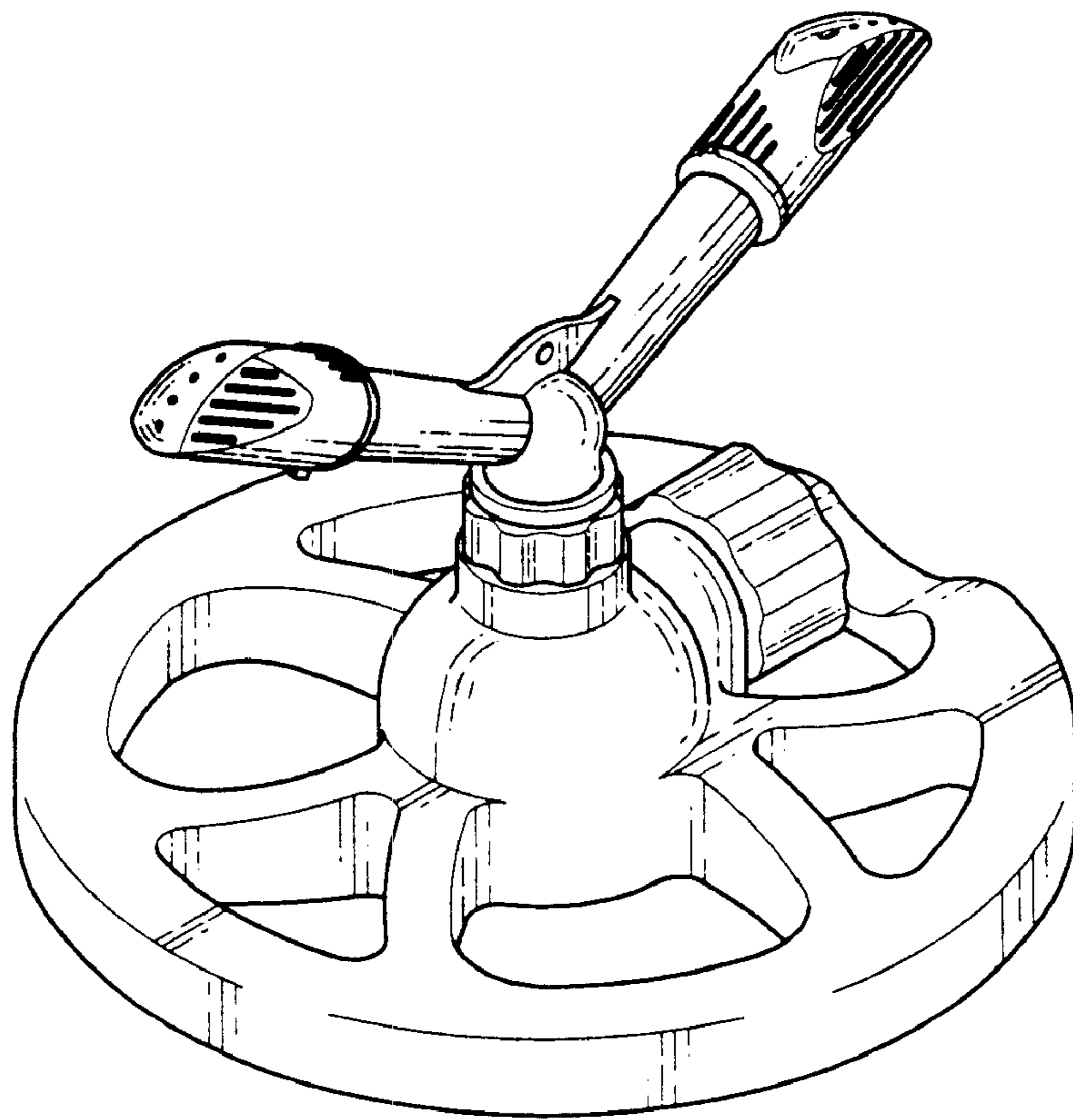


FIG.1

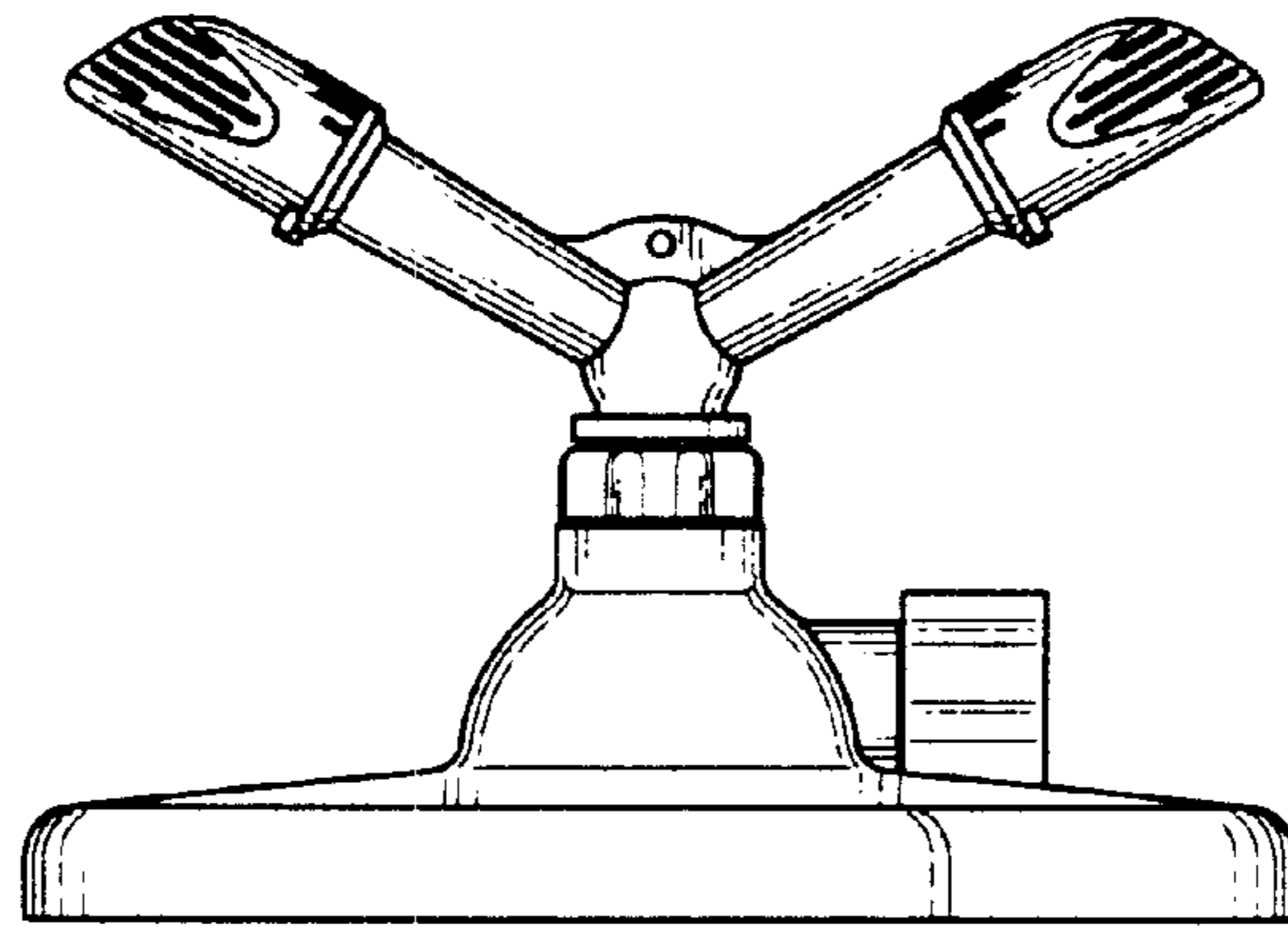


FIG. 2

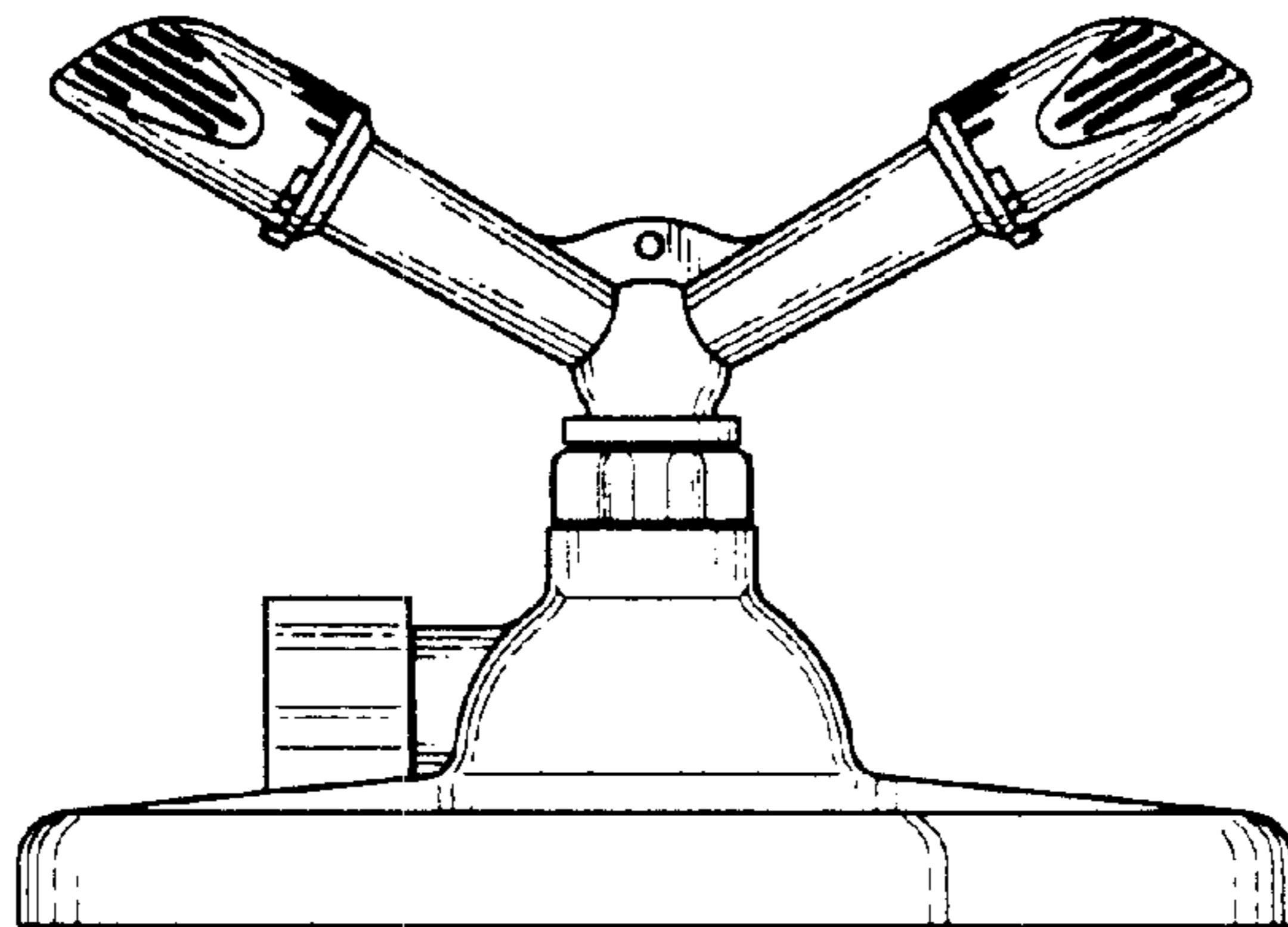


FIG. 3

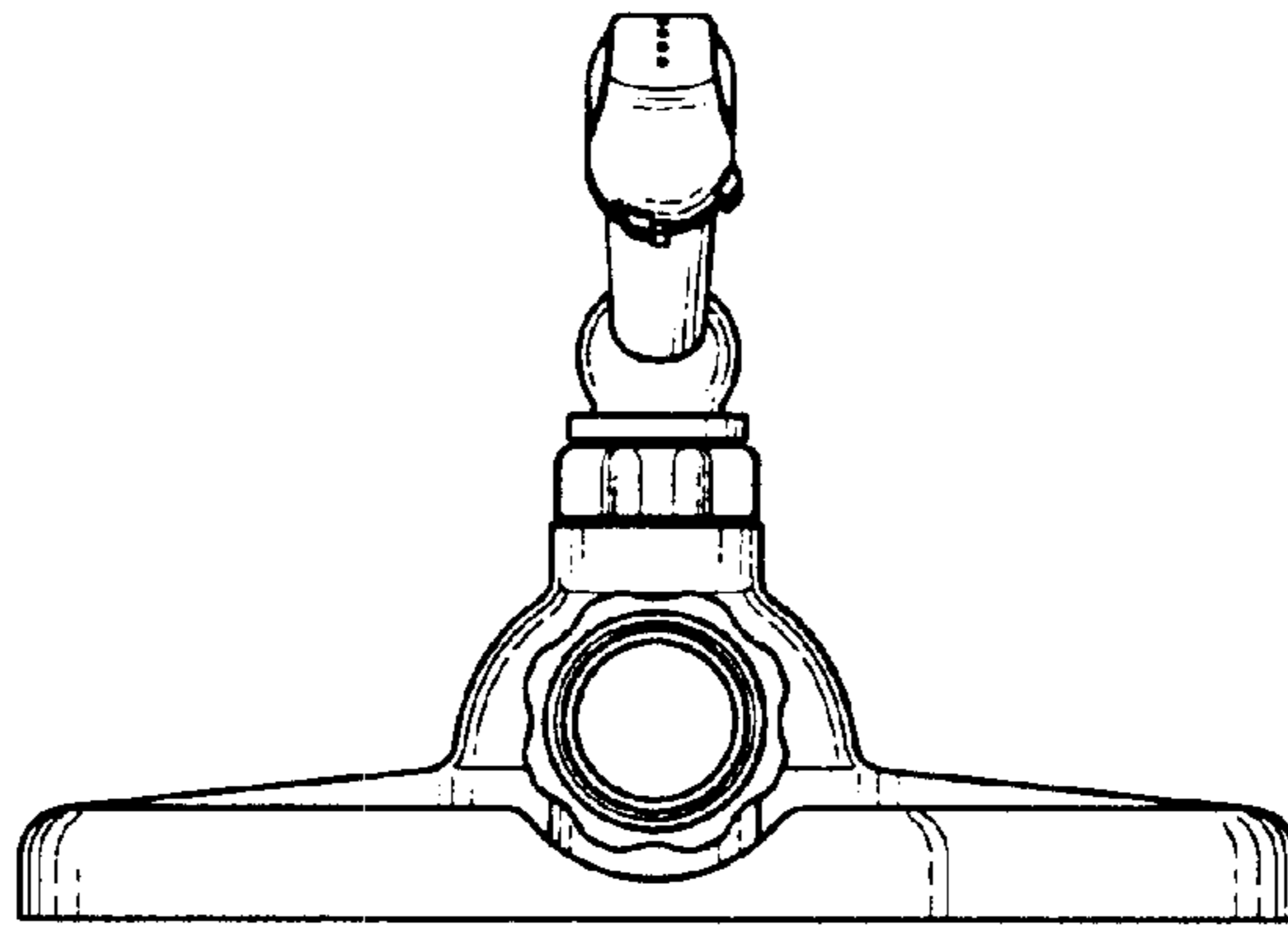


FIG. 4

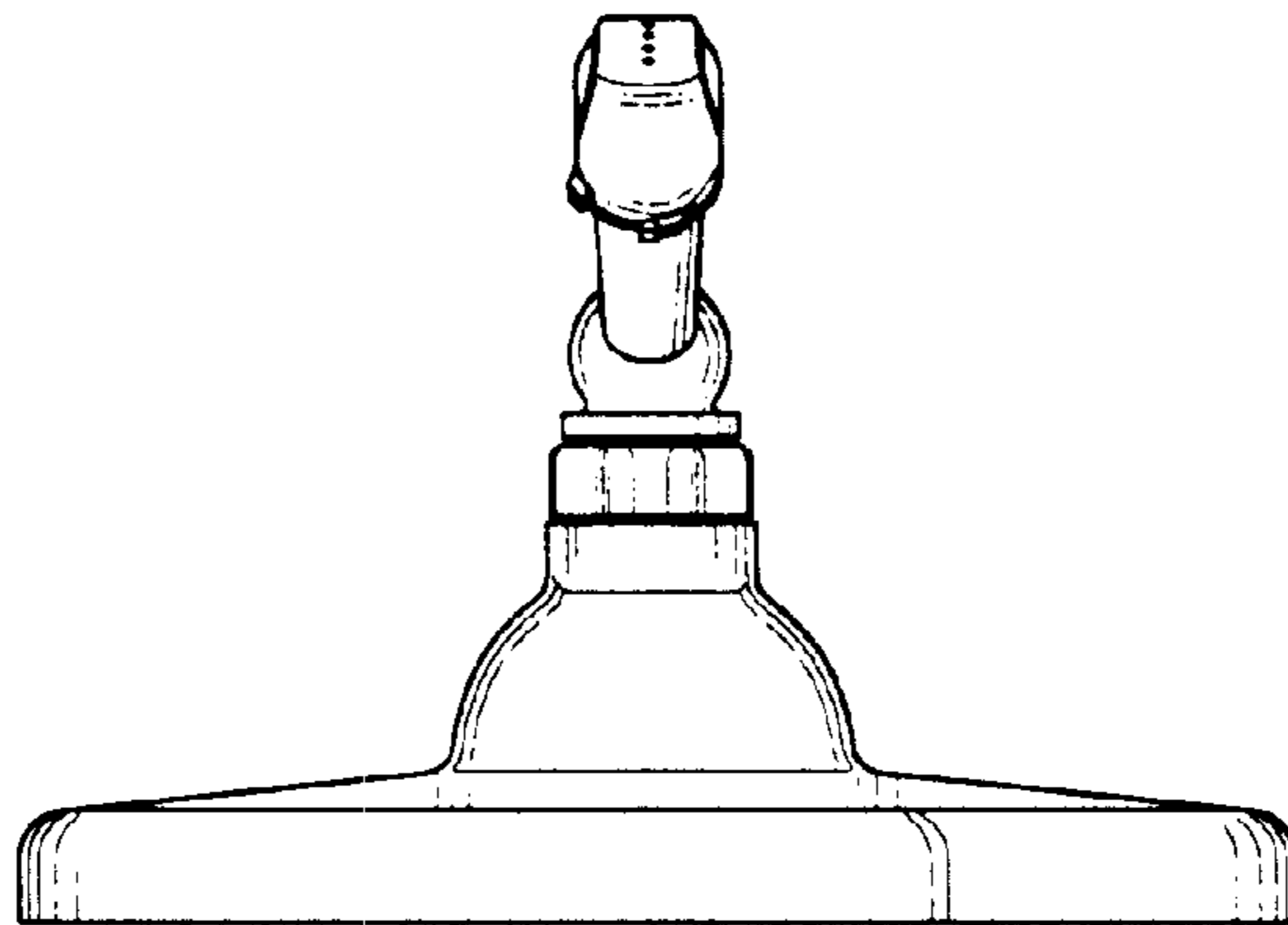


FIG. 5

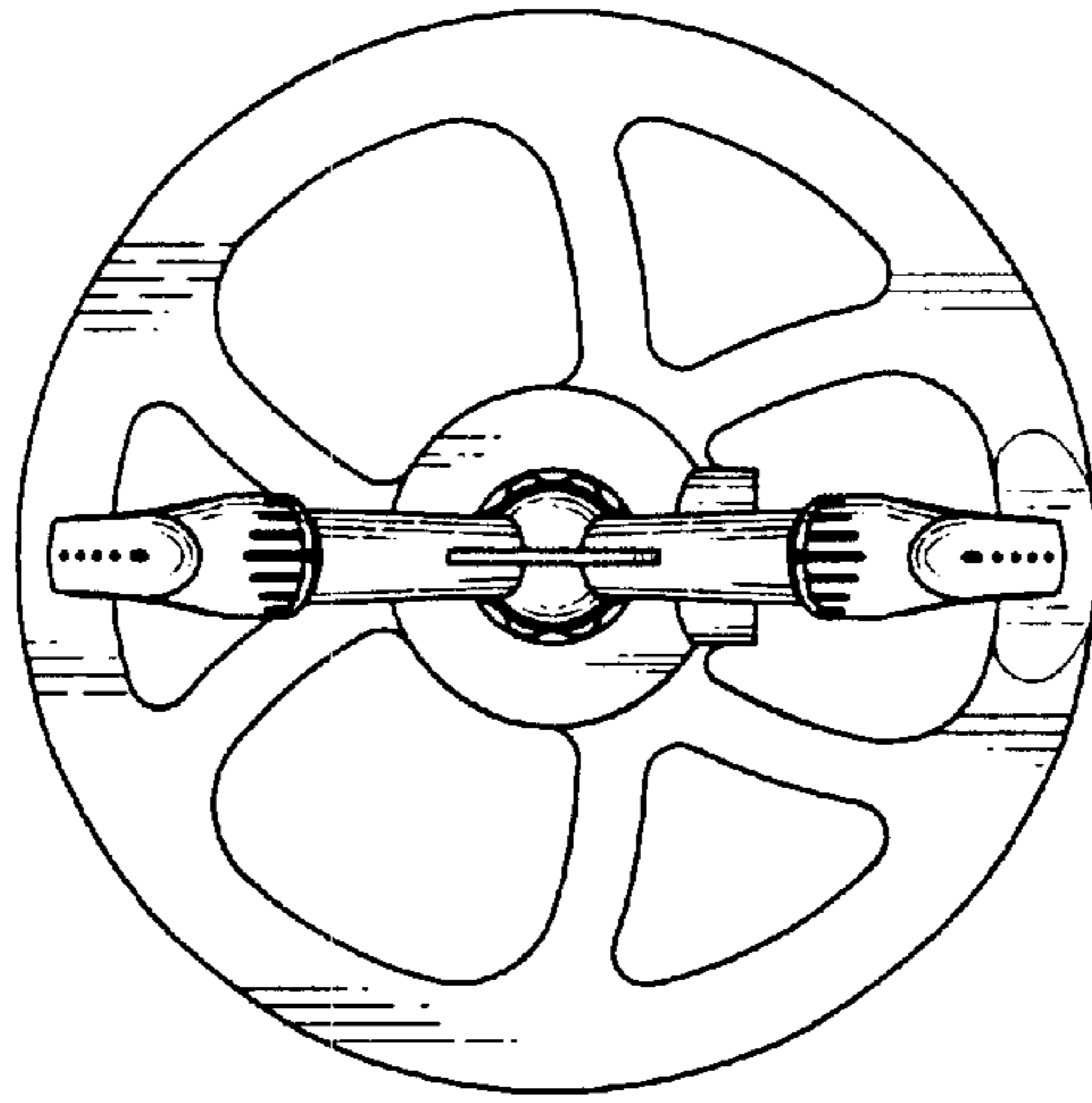


FIG. 6

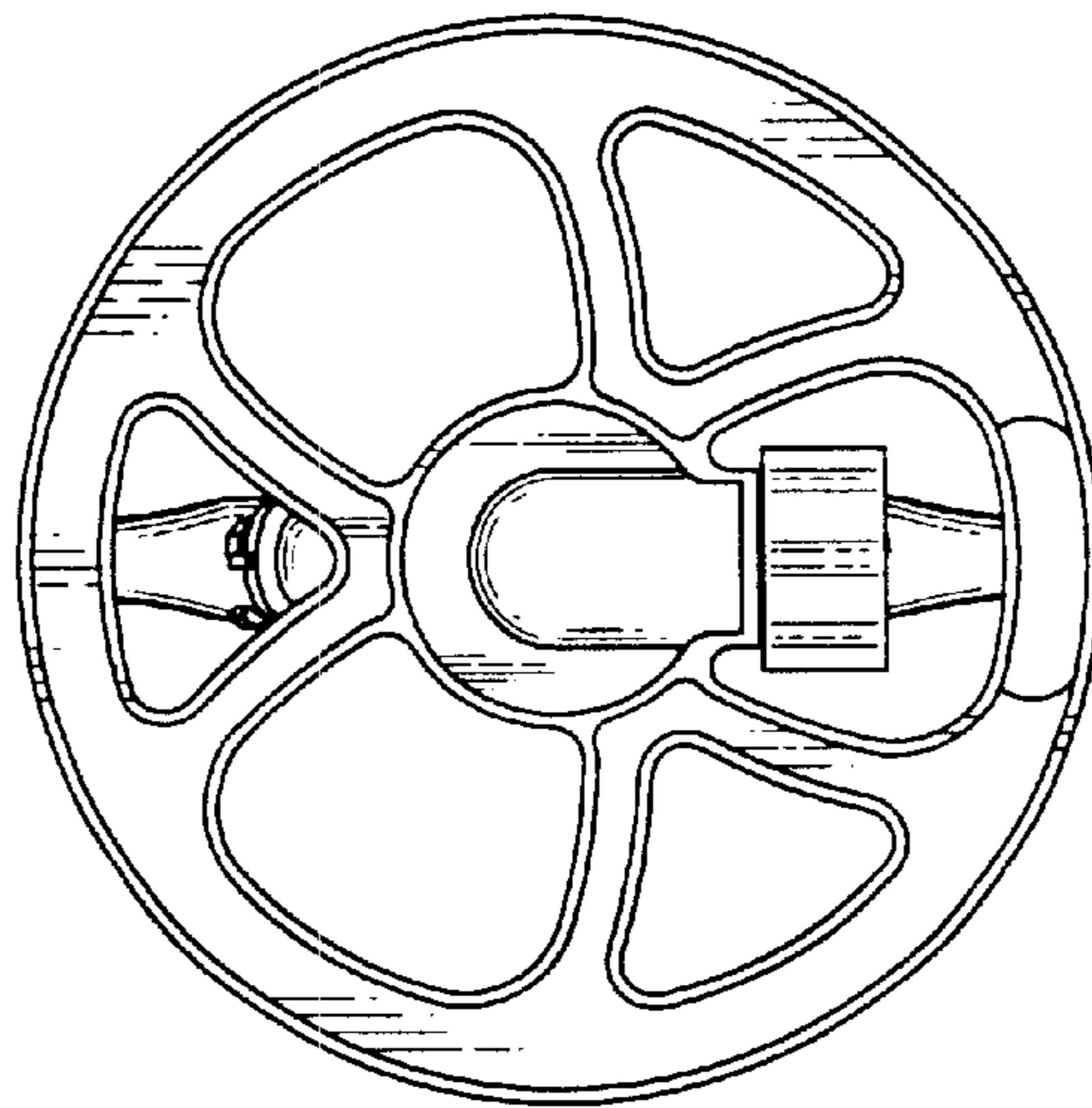


FIG. 7