



US00D457596S

(12) **United States Design Patent**  
**Guzman et al.**

(10) **Patent No.:** **US D457,596 S**

(45) **Date of Patent:** **\*\* May 21, 2002**

(54) **WATER FILTER**

5,833,849 A \* 11/1998 Primdahl ..... 210/460  
6,251,274 B1 \* 6/2001 Shephard ..... 210/235

(75) Inventors: **Guillermo Guzman**, Lighthouse Point;  
**Keith Worboys**, Pompano Beach, both  
of FL (US)

\* cited by examiner

*Primary Examiner*—Robin V. Taylor

(73) Assignee: **H2O International Inc.**, Deerfield  
Beach, FL (US)

(74) *Attorney, Agent, or Firm*—Standley & Gilcrest LLP

(\*\*) Term: **14 Years**

(57) **CLAIM**

The ornamental design for a water filter, as shown and described.

(21) Appl. No.: **29/140,934**

**DESCRIPTION**

(22) Filed: **Apr. 26, 2001**

(51) **LOC (7) Cl.** ..... **23-01**

(52) **U.S. Cl.** ..... **D23/209**

(58) **Field of Search** ..... D23/207, 209;  
210/460, 461, 235

FIG. 1 is a perspective view of the water filter of the present invention;

FIG. 2 is a top plan view of the water filter;

FIG. 3 is a front elevational view of the water filter;

FIG. 4 is a side elevational view of the water filter of the present invention;

FIG. 5 is a back elevational view of the water filter of FIG. 3;

FIG. 6 is the other side elevational view of the water filter of the present invention; and,

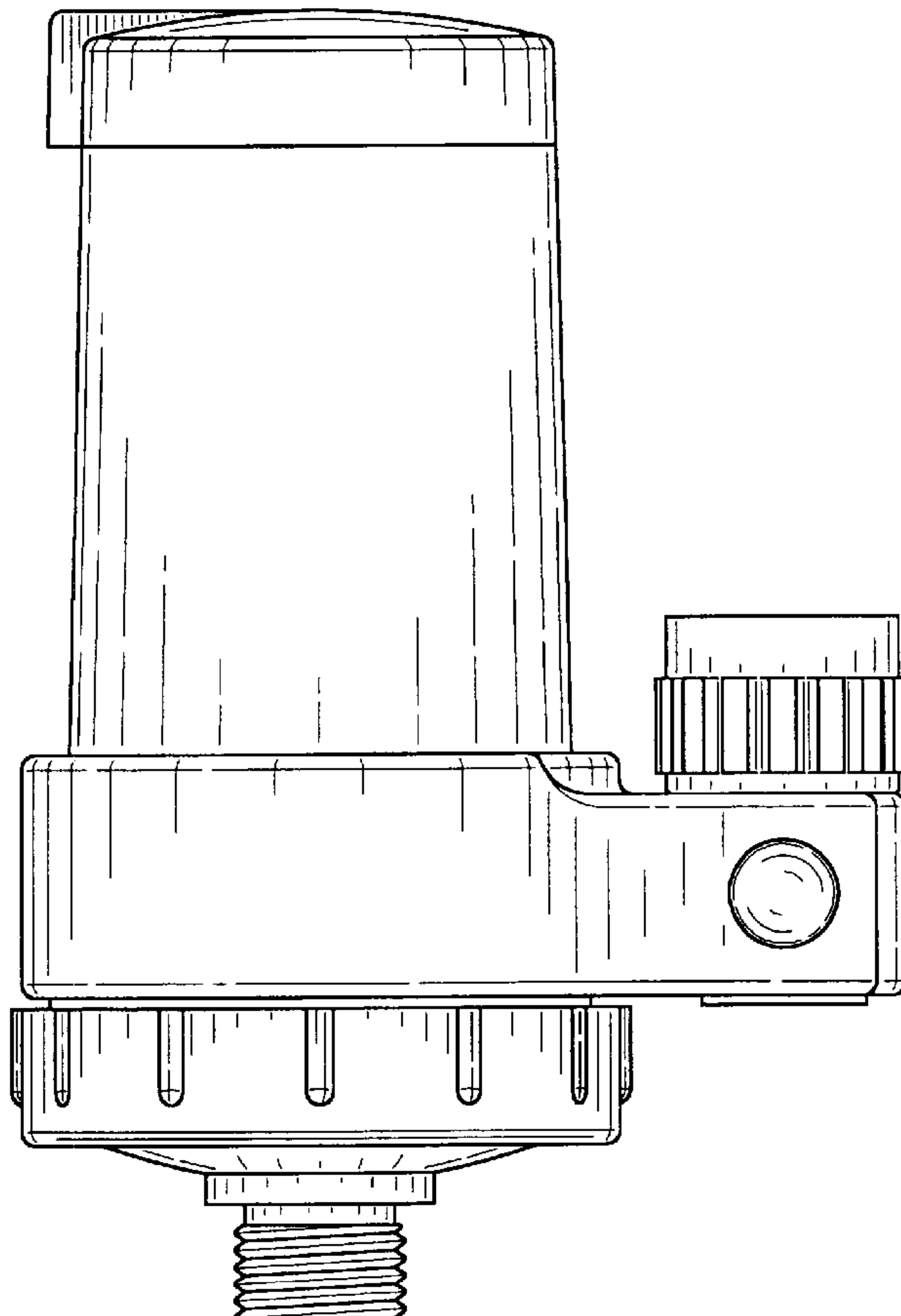
FIG. 7 is a bottom plan elevational view of the water filter of the present invention.

(56) **References Cited**

**U.S. PATENT DOCUMENTS**

D277,305 S	*	1/1985	Grube	.....	D23/209
D285,958 S	*	9/1986	Koizumi et al.	.....	D23/209
4,686,037 A	*	8/1987	Lang	.....	210/460
4,839,039 A	*	6/1989	Parsons et al.	.....	210/460
D328,942 S	*	8/1992	Igami et al.	.....	D23/209
D358,868 S	*	5/1995	Hembree et al.	.....	D23/207

**1 Claim, 3 Drawing Sheets**



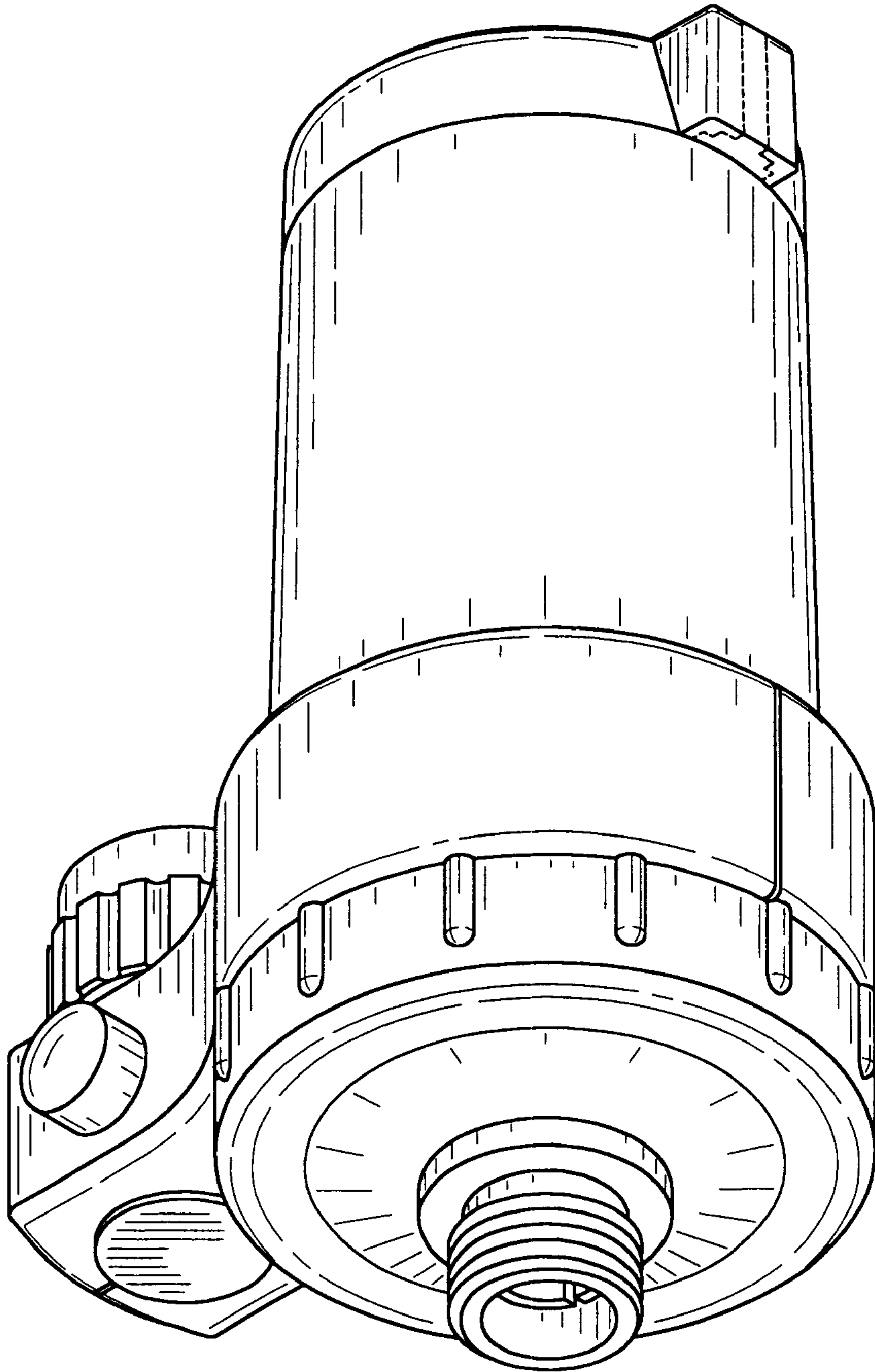


FIG-1

FIG-2

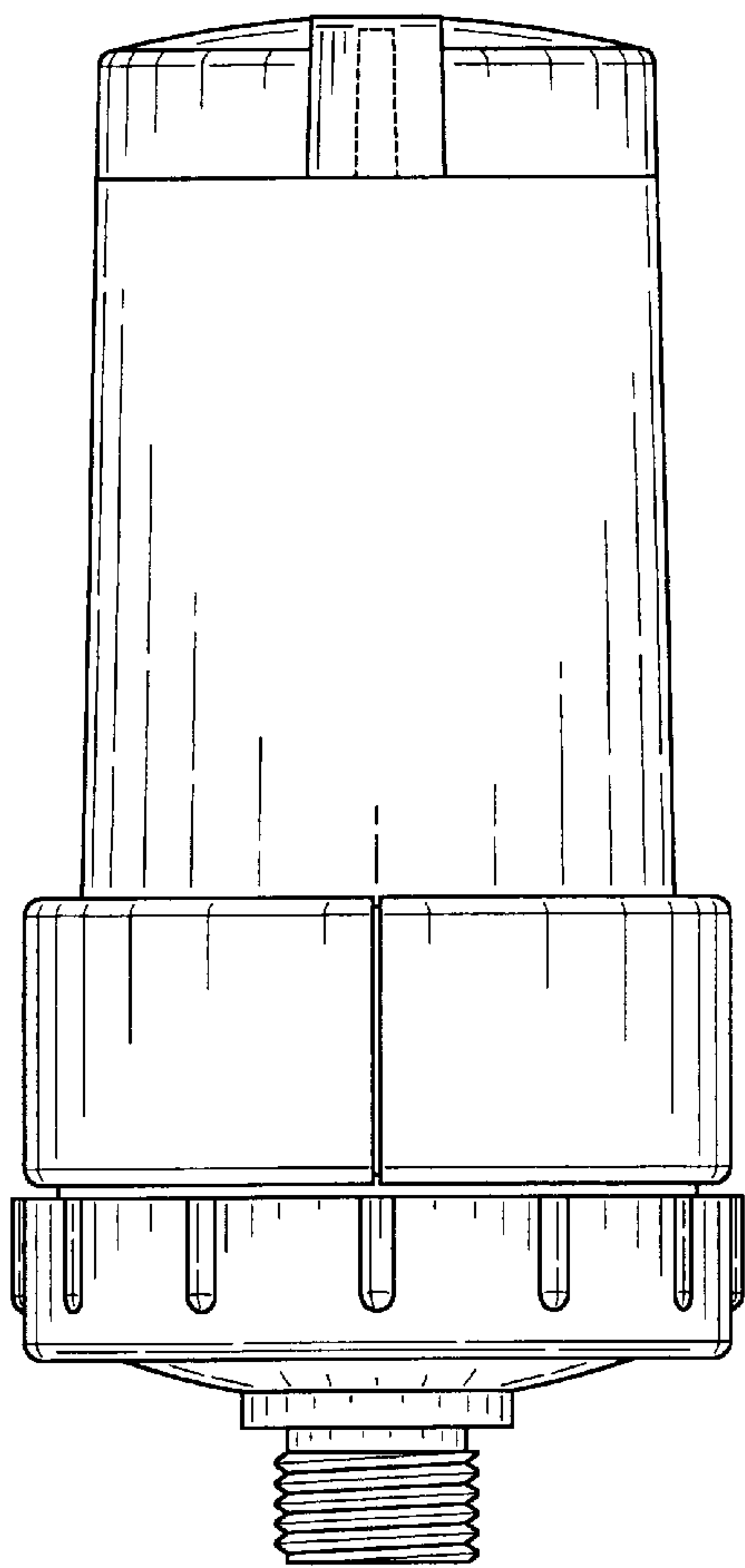
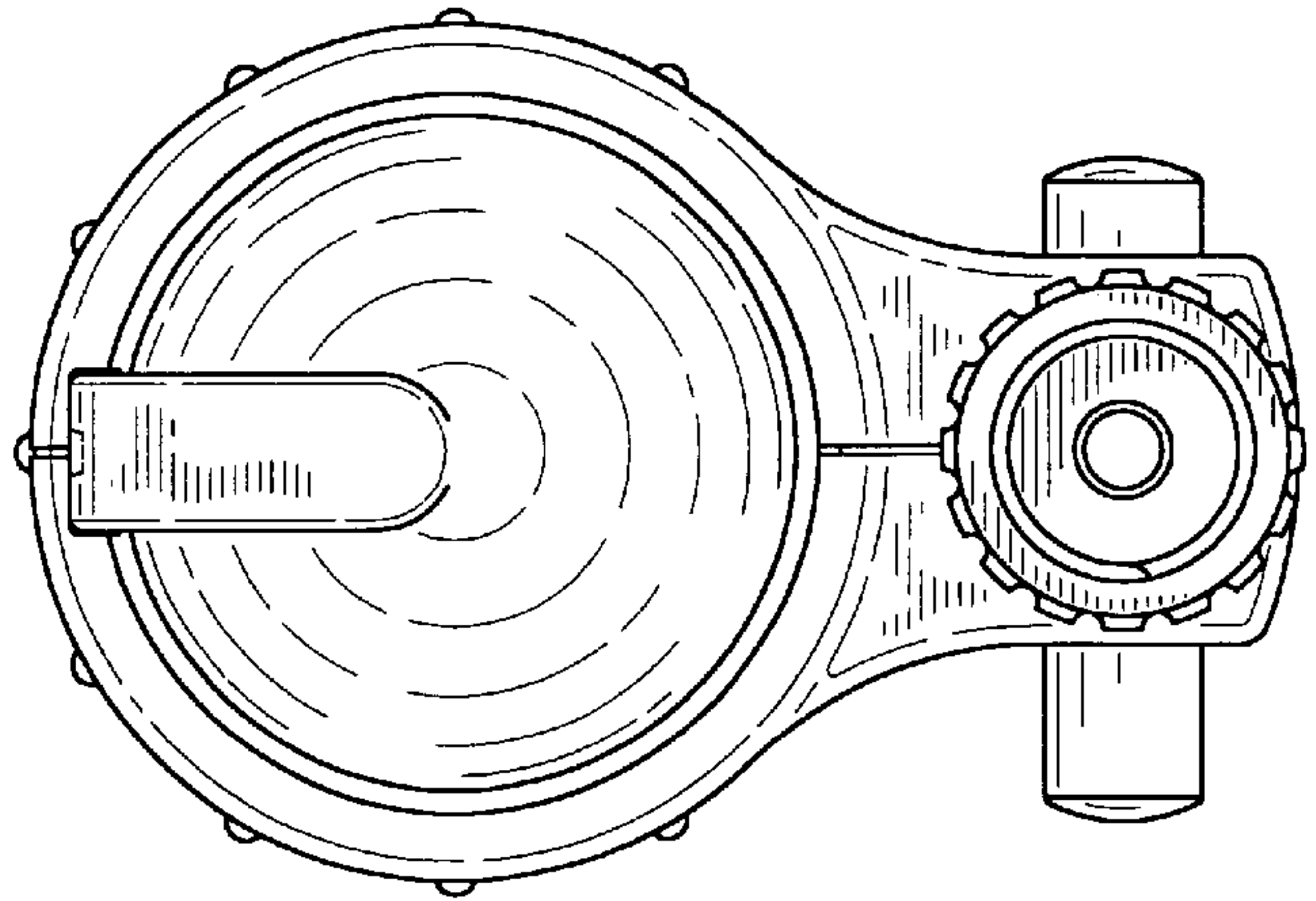


FIG-3

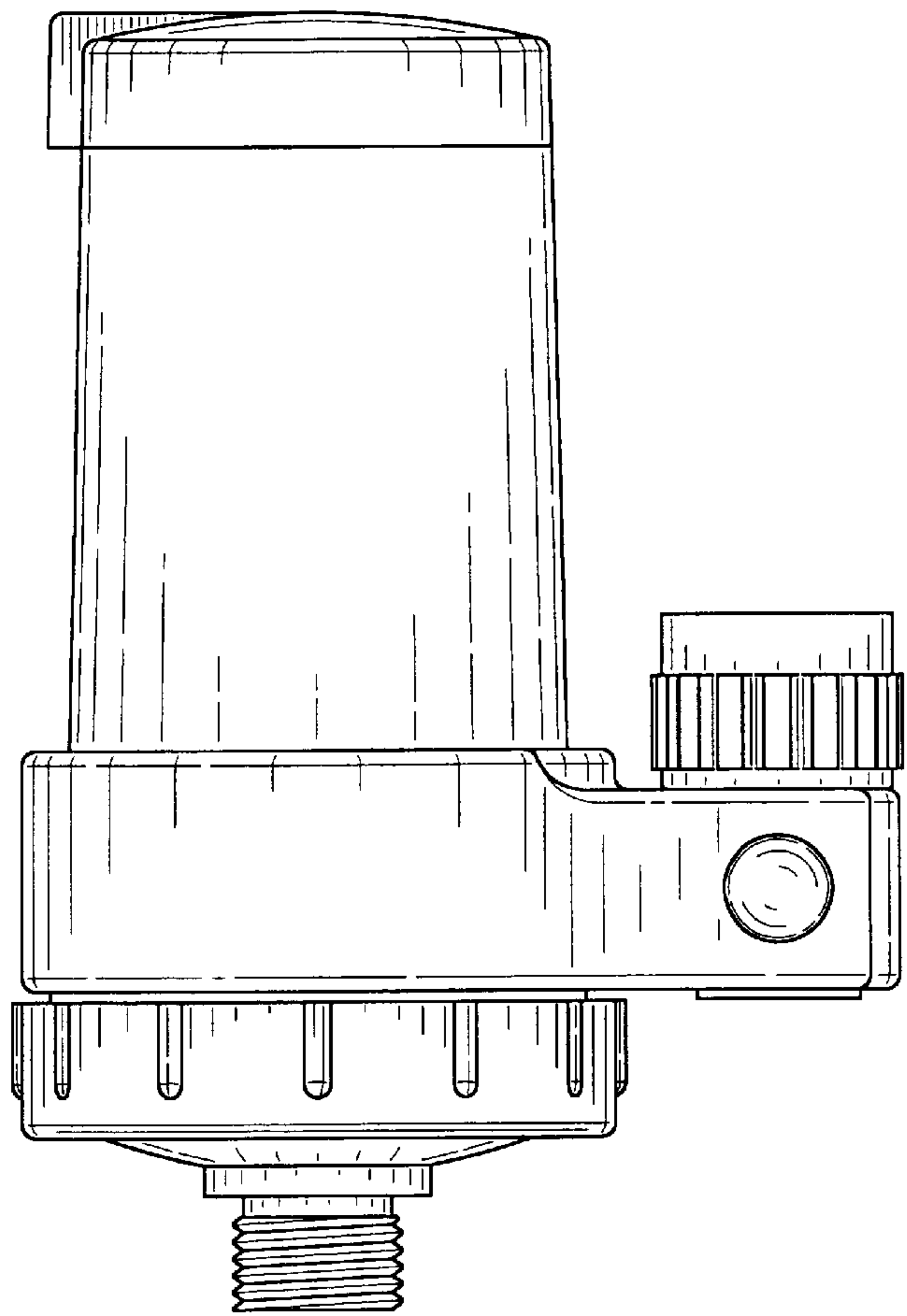


FIG-4

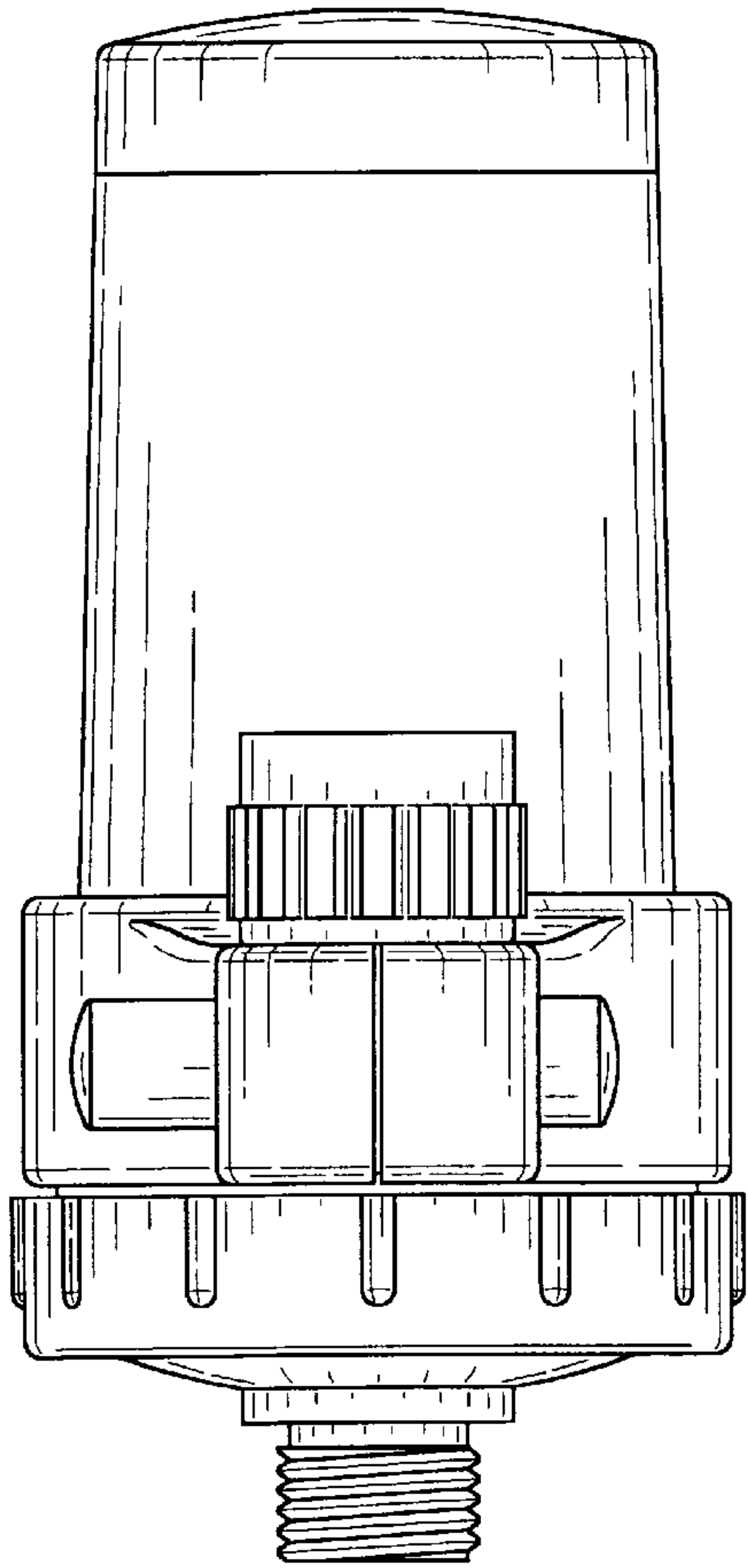


FIG-5

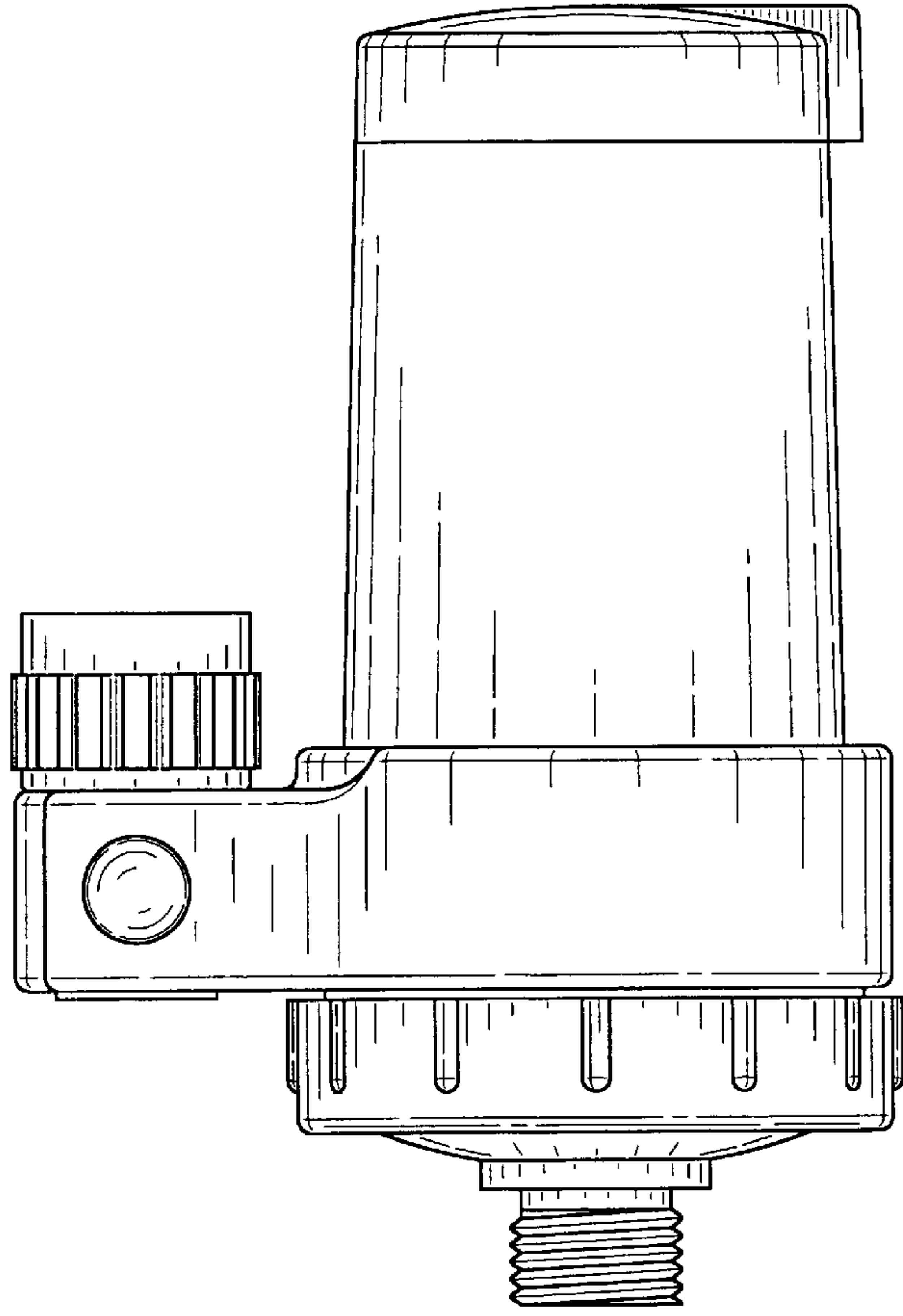


FIG-6

FIG-7

