



US00D457595S

(12) **United States Design Patent**
Ellsworth et al.

(10) **Patent No.:** **US D457,595 S**

(45) **Date of Patent:** **** May 21, 2002**

(54) **TRIPOD FLOATING MOUNT FOR A POND AERATOR**

Primary Examiner—Robin V. Taylor
(74) *Attorney, Agent, or Firm*—James L. Sonntag

(76) Inventors: **Thayne Ellsworth**, 4565 Samara,
Boise, ID (US) 83703; **Dennis Thomas**,
122 Helene, Lemoore, CA (US) 93245;
Max E. Belcher, 905 Palmwood Dr.,
Boise, ID (US) 83709

(57) **CLAIM**

The ornamental design for a tripod floating mount for a pond aerator, as shown and described.

(**) Term: **14 Years**

DESCRIPTION

(21) Appl. No.: **29/137,442**

The device is floated upon a pond surface using three floats at the bottom of each tripod leg. An impeller shaft extends from a motor head at the top of the tripod and under a pond surface where there is an impeller to agitate and aerate the pond water. The impeller shaft is turned by a motor in the motor head.

(22) Filed: **Feb. 20, 2001**

(51) **LOC (7) Cl.** **23-01**

(52) **U.S. Cl.** **D23/200; D23/210**

(58) **Field of Search** D23/208, 210;
D11/130.1; 248/277.1, 176.1, 163.1; 210/416.2,
169, 170

FIG. 1 is a perspective view of a floating aerator device showing the new design is the form of the tripod mount.

FIG. 2 is a top view thereof.

FIG. 3 is a side view thereof; and,

FIG. 4. is a bottom view thereof.

(56) **References Cited**

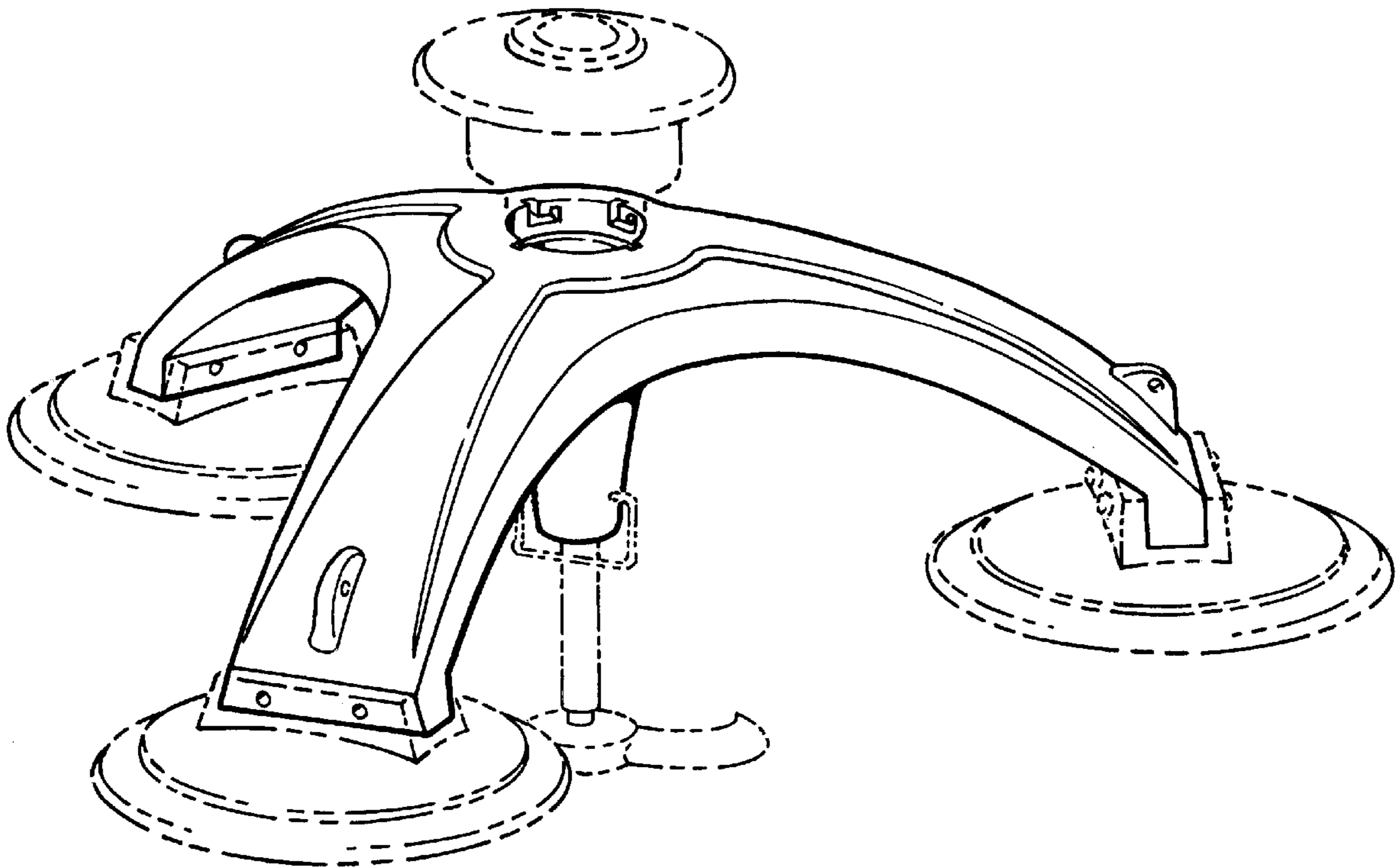
U.S. PATENT DOCUMENTS

2,614,780	A	*	10/1952	Buff	248/177.1
D225,498	S	*	12/1972	Norton	D11/130.1
4,409,107	A	*	10/1983	Busch	210/758
D394,646	S	*	5/1998	Ratzlaff	D11/130.1

The broken lines shown here show a portion of the structure of the device that forms no part of the design to be patented. These include upper motor head, impeller and blade, and floats.

* cited by examiner

1 Claim, 2 Drawing Sheets



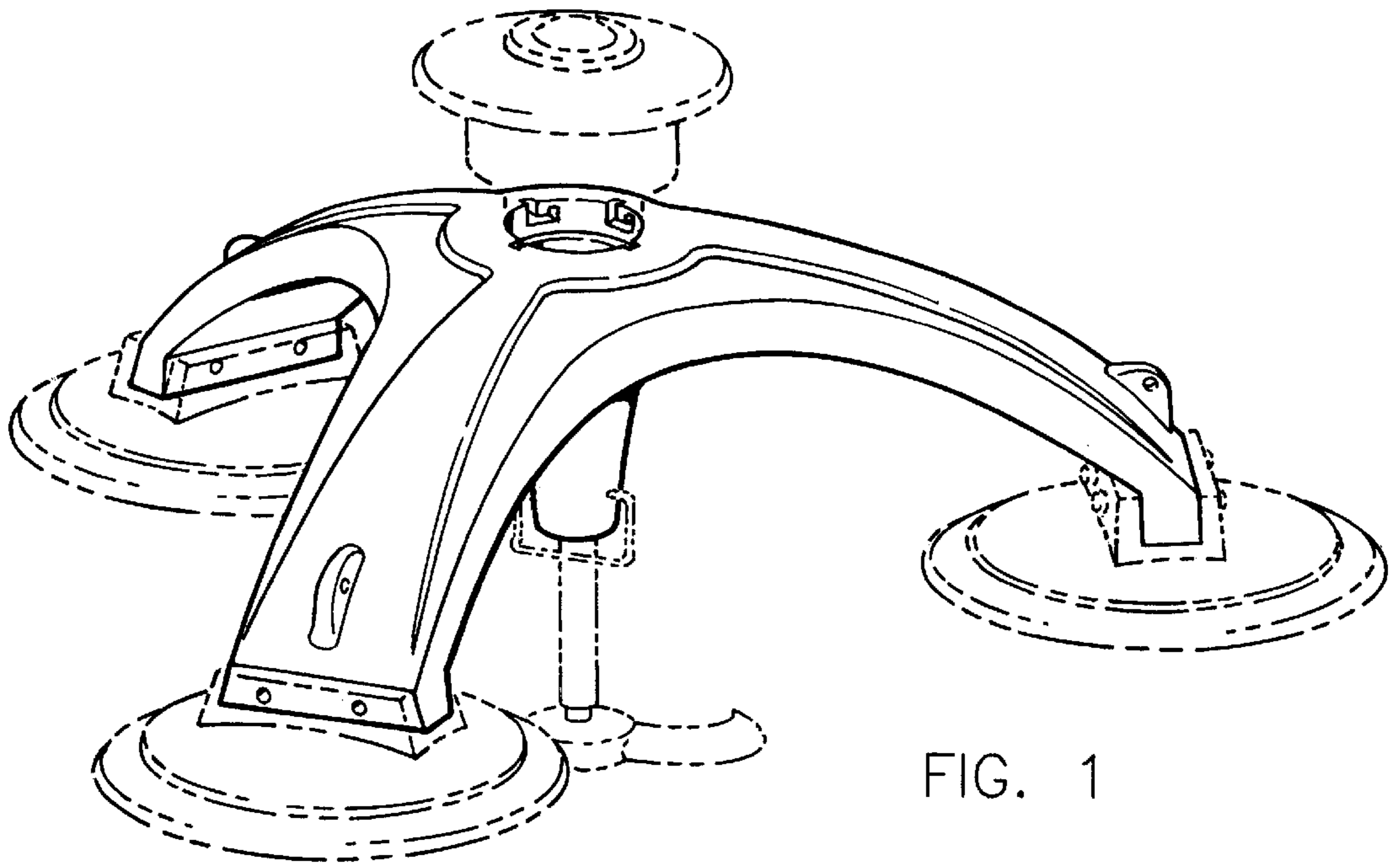


FIG. 1

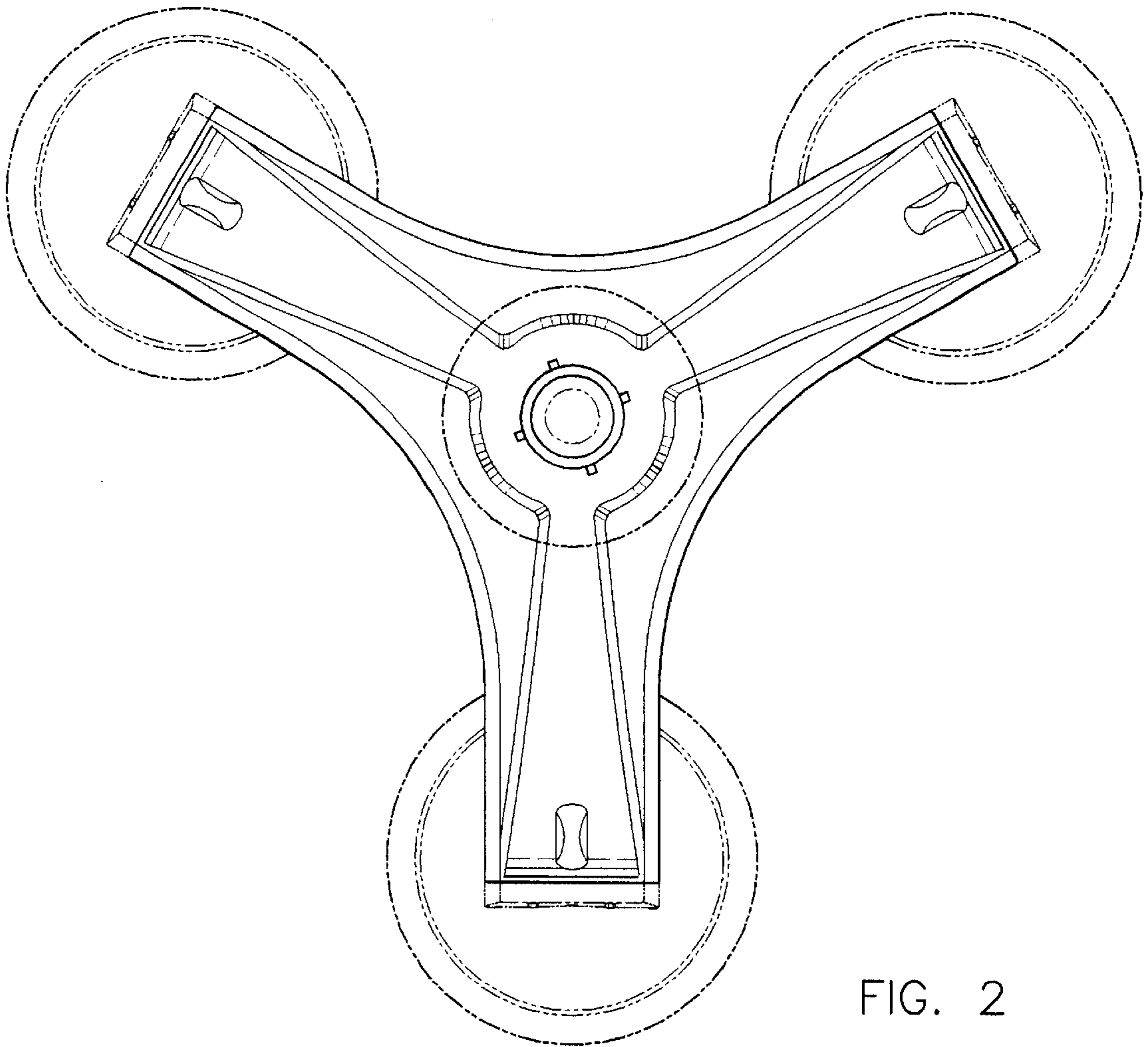


FIG. 2

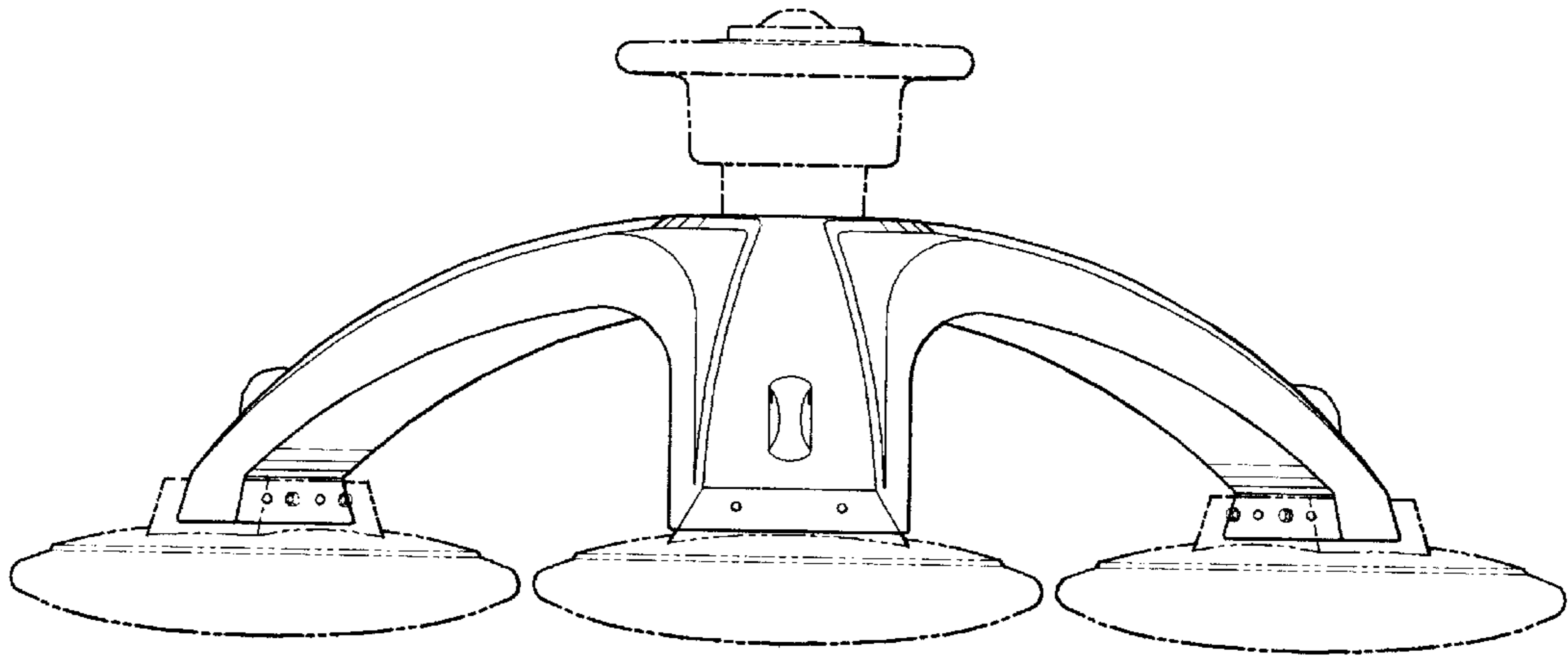


FIG. 3

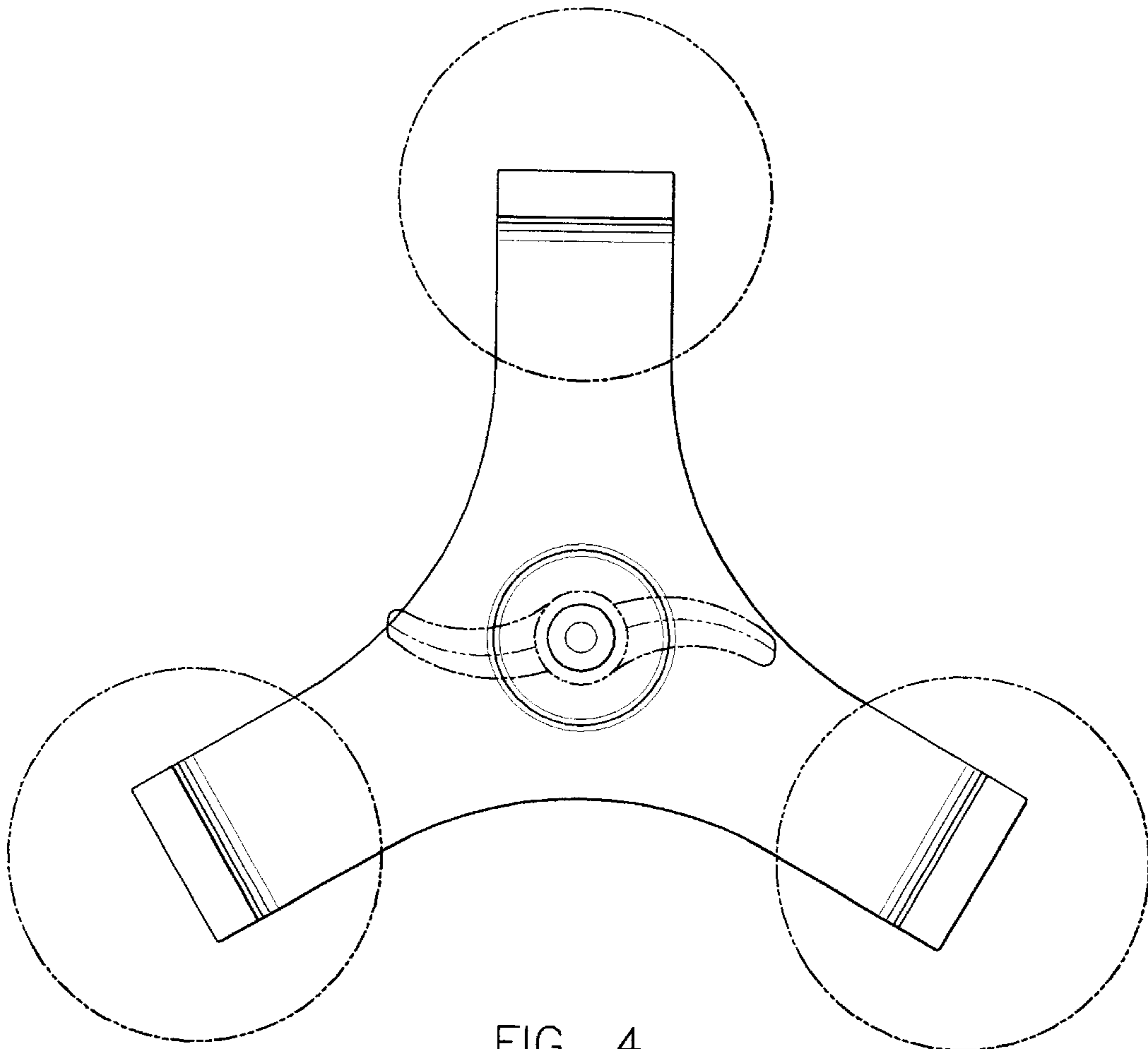


FIG. 4