



US00D457593S

(12) **United States Design Patent**  
**Addison**

(10) **Patent No.:** **US D457,593 S**

(45) **Date of Patent:** **\*\* May 21, 2002**

(54) **MOUSE SHAPED FISHING LURE**

(76) Inventor: **Michael Addison**, 542 Tuscarora Rd.,  
Chittenango, NY (US) 13037

(\*\*) Term: **14 Years**

(21) Appl. No.: **29/144,807**

(22) Filed: **Jul. 10, 2001**

(51) **LOC (7) Cl.** ..... **22-05**

(52) **U.S. Cl.** ..... **D22/132**

(58) **Field of Search** ..... D22/125-133,  
D22/144, 145, 146; 43/42.32, 42.34, 42.35,  
42.37, 42.39, 42.45; D21/656

(56) **References Cited**

**U.S. PATENT DOCUMENTS**

326,886 A	*	9/1885	Robinson	.....	43/42.32
D138,496 S	*	8/1944	Hatcher	.....	D22/126
D245,853 S	*	9/1977	Dewar	.....	D22/126
D278,738 S	*	5/1985	Hargreaves	.....	D22/126
D344,568 S	*	2/1994	Byrd et al.	.....	D22/132
D406,634 S	*	3/1999	Oelerich, Jr. et al.	.....	D22/132
D413,960 S	*	9/1999	Limbeck	.....	D22/132
D417,902 S	*	12/1999	Nobili	.....	D22/132
D425,962 S	*	5/2000	Tognacci et al.	.....	D22/132

\* cited by examiner

*Primary Examiner*—Catherine R. Oliver  
(74) *Attorney, Agent, or Firm*—George R. McGuire;  
Hancock & Estabrook, LLP

(57) **CLAIM**

The ornamental design for a mouse shaped fishing lure, as shown and described.

**DESCRIPTION**

FIG. 1 is a side elevational view of a first embodiment of my new design for a mouse shaped fishing lure, wherein the fishing hooks and fishing line are shown in broken lines for environmental purposes only and form no part of the claimed design;

FIG. 2 is a top plan view thereof;

FIG. 3 is a front elevational view thereof;

FIG. 4 is a rear elevational view thereof;

FIG. 5 is a bottom plan view thereof;

FIG. 6 is a side elevational view of a second embodiment of my new design for a mouse shaped fishing lure, wherein the fishing hooks and fishing line are shown in broken lines for environmental purposes only and form no part of the claimed design;

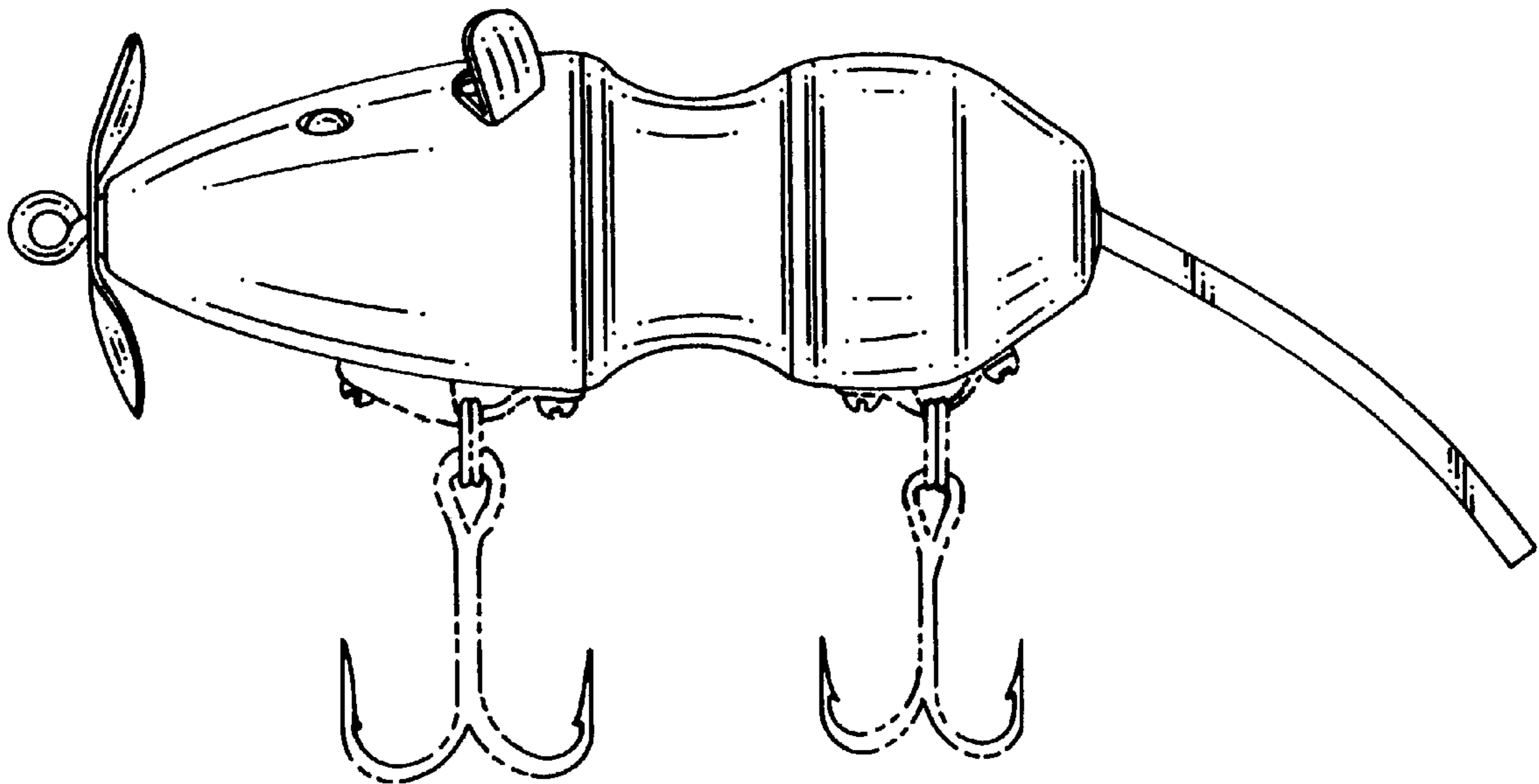
FIG. 7 is a top plan view thereof;

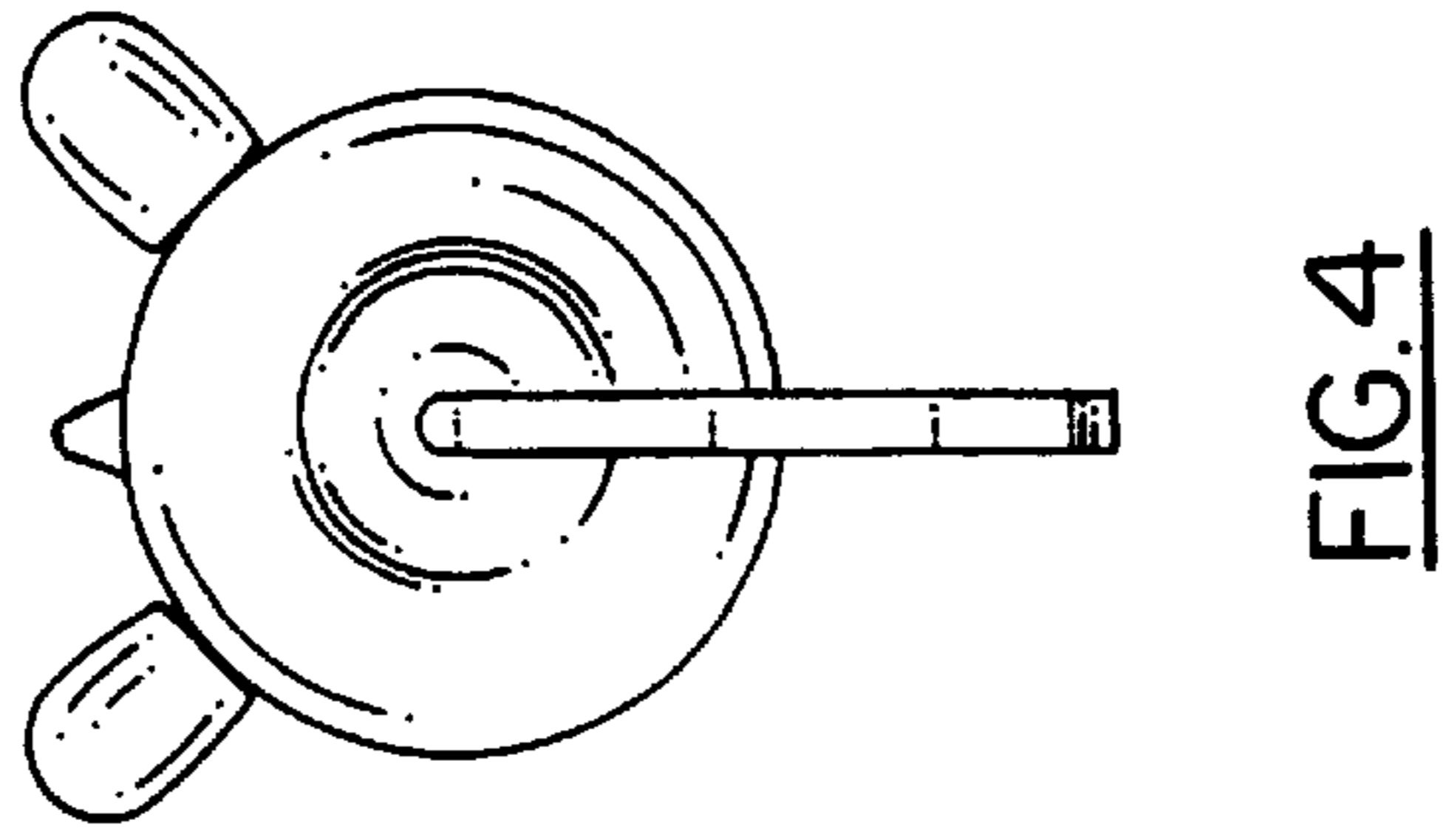
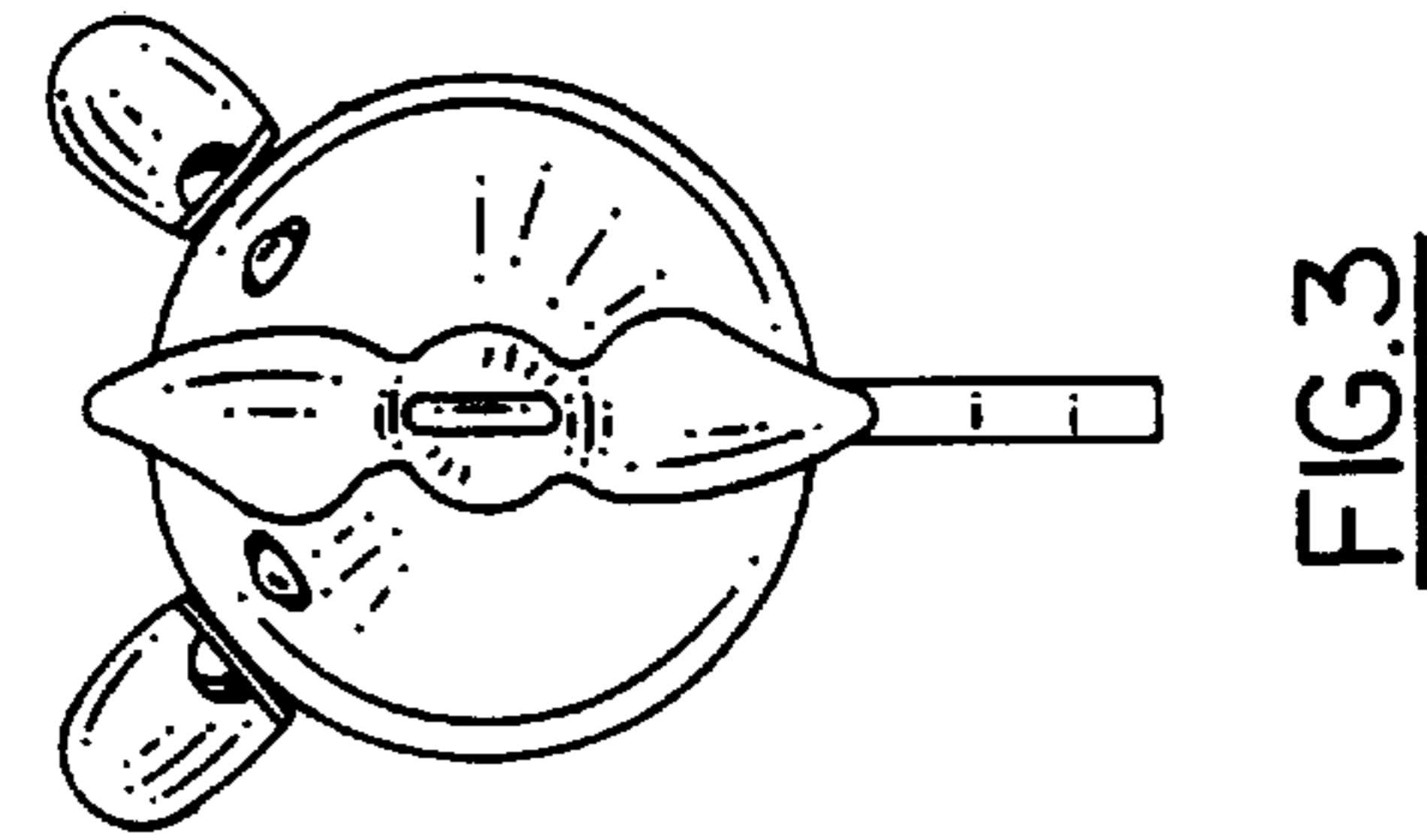
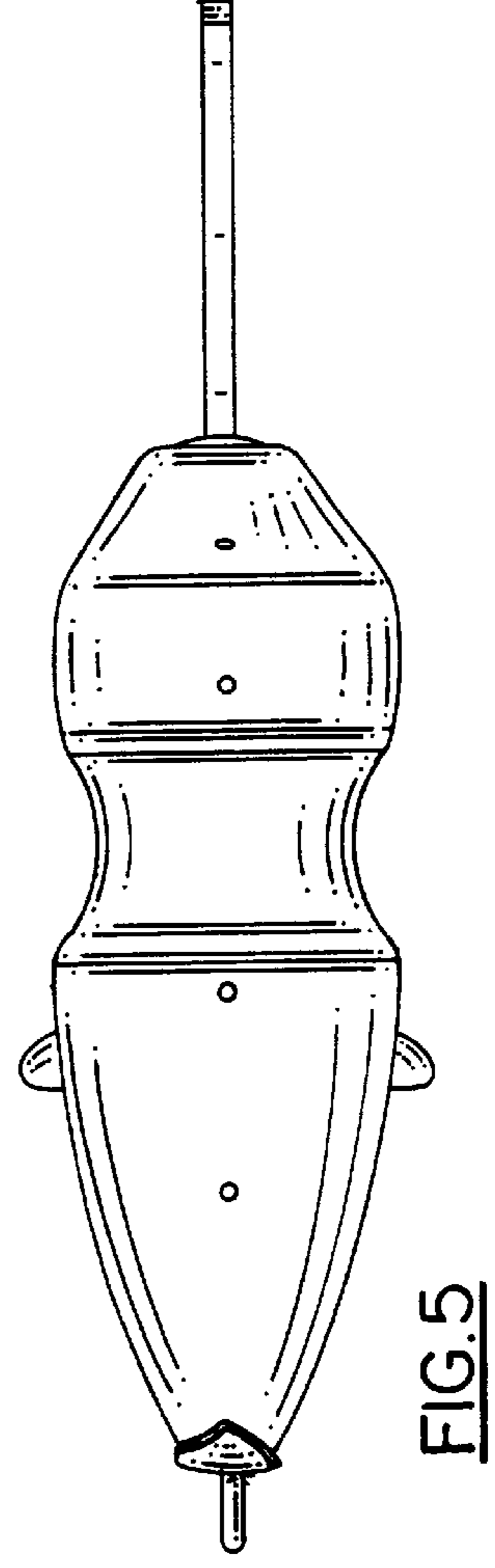
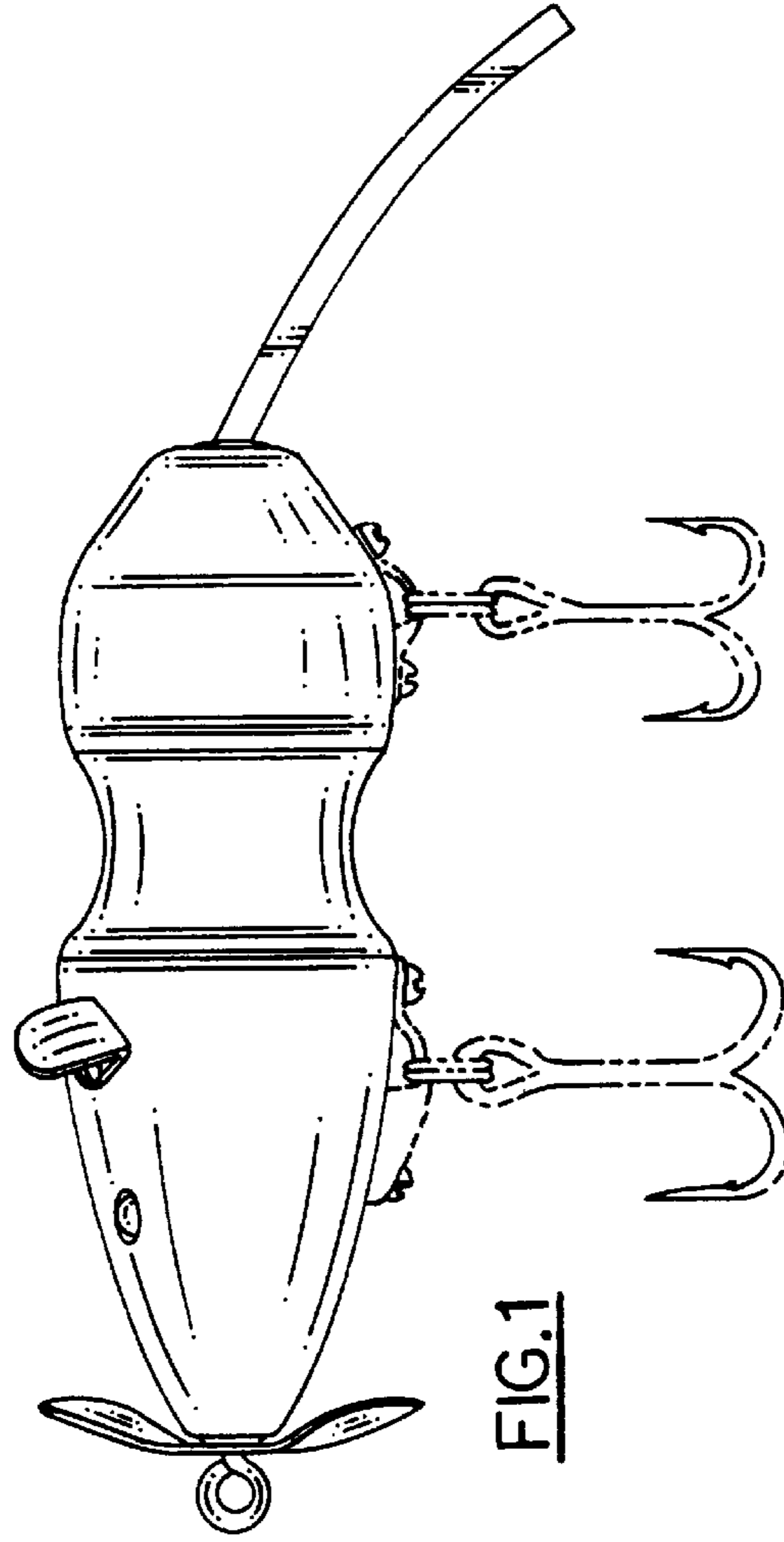
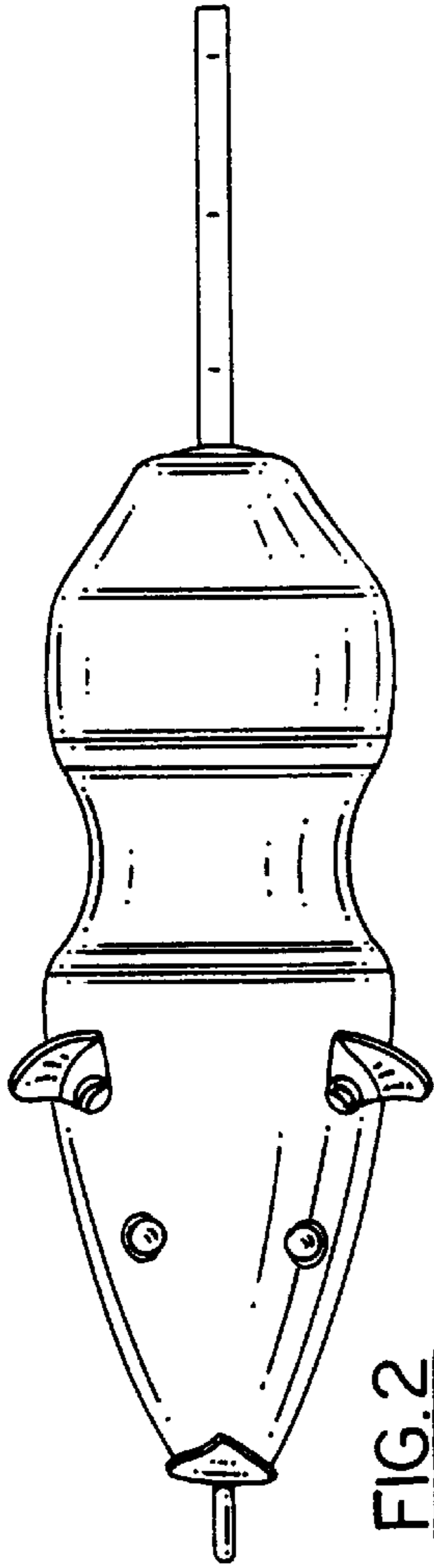
FIG. 8 is a front elevational view thereof;

FIG. 9 is a rear elevational view thereof; and,

FIG. 10 is a bottom plan view thereof.

**1 Claim, 2 Drawing Sheets**





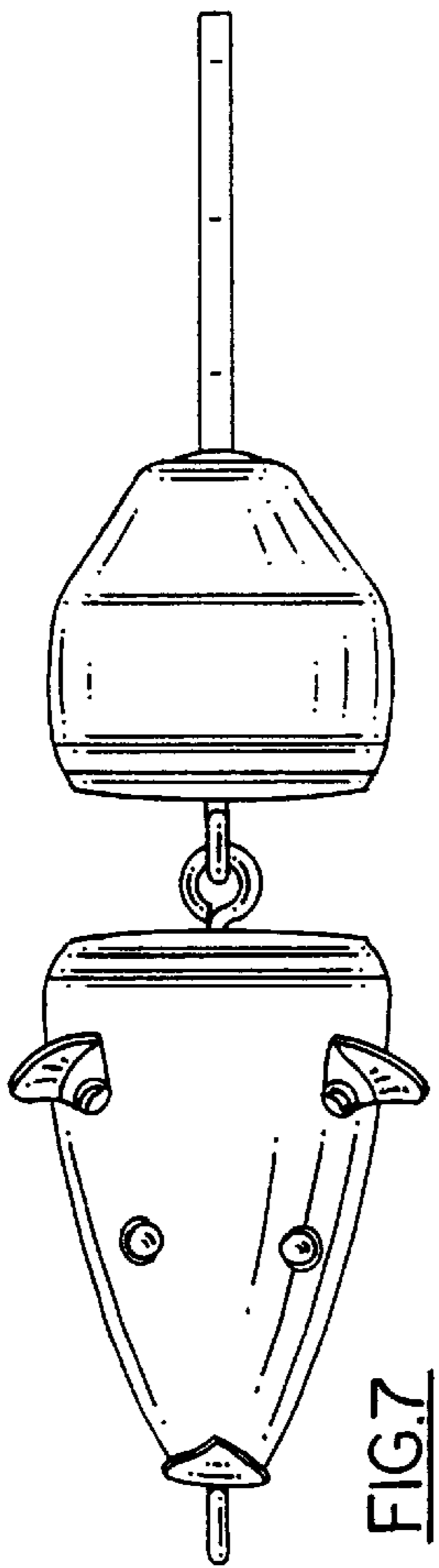


FIG. 7

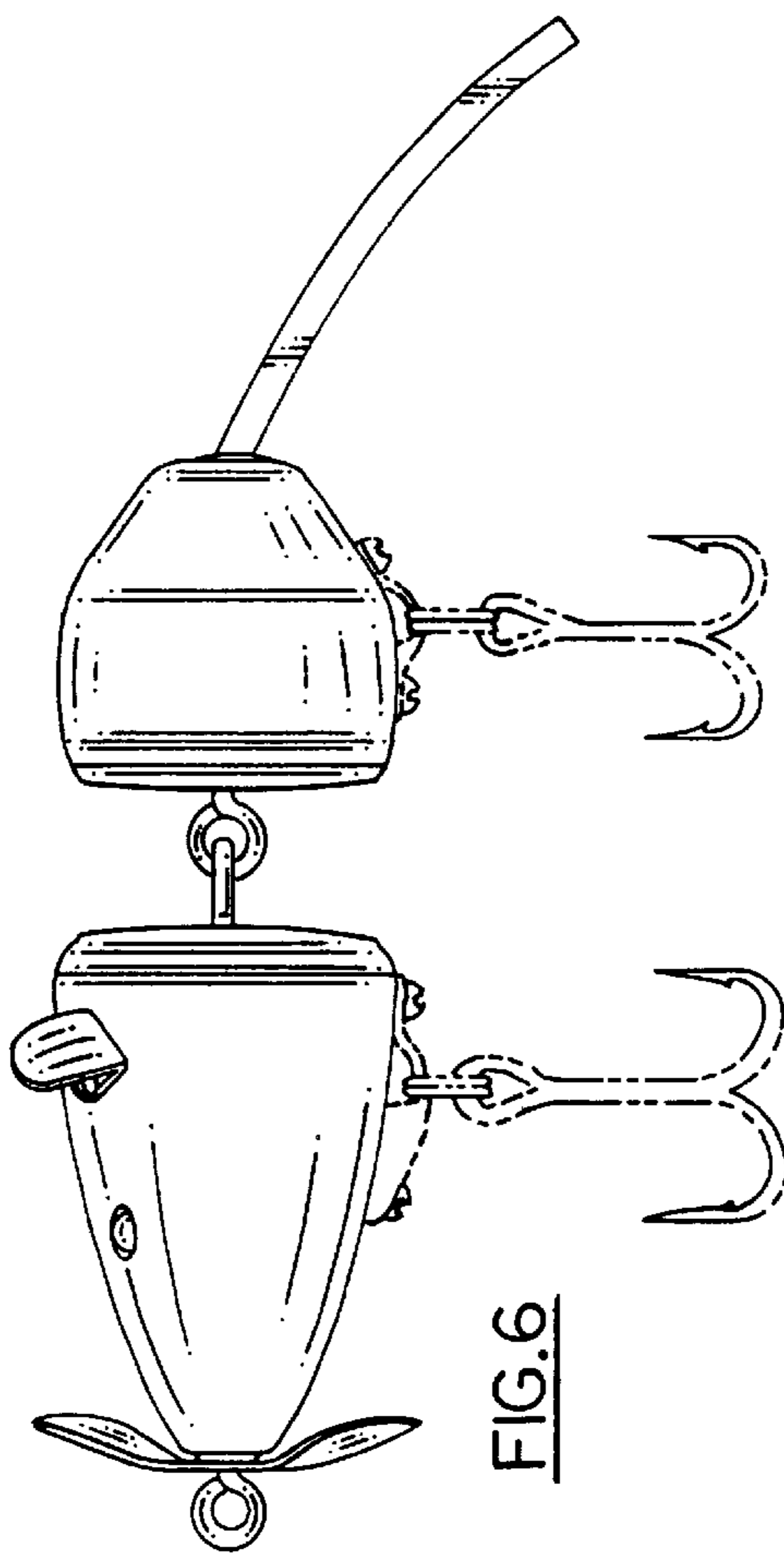


FIG. 6

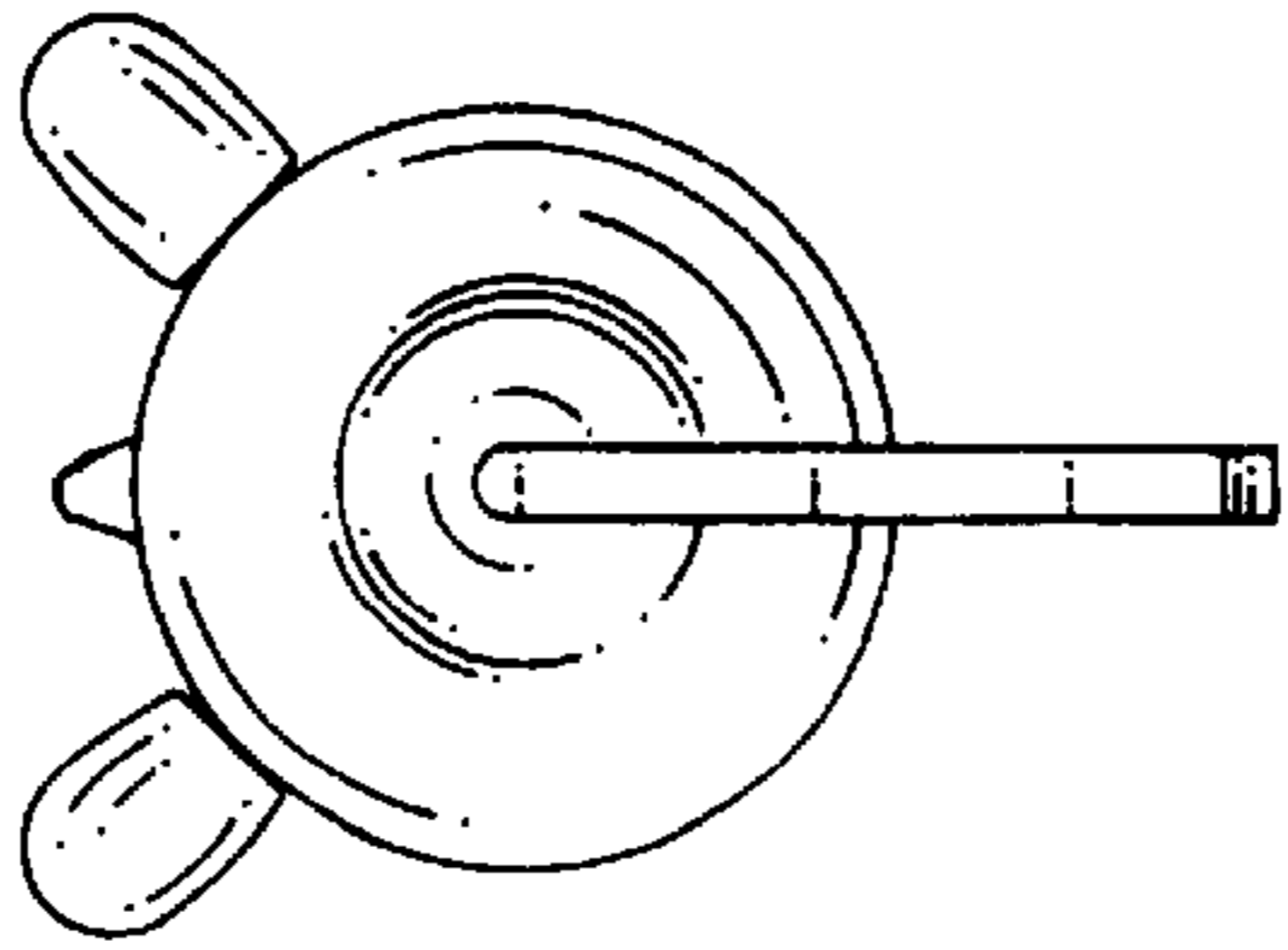


FIG. 9

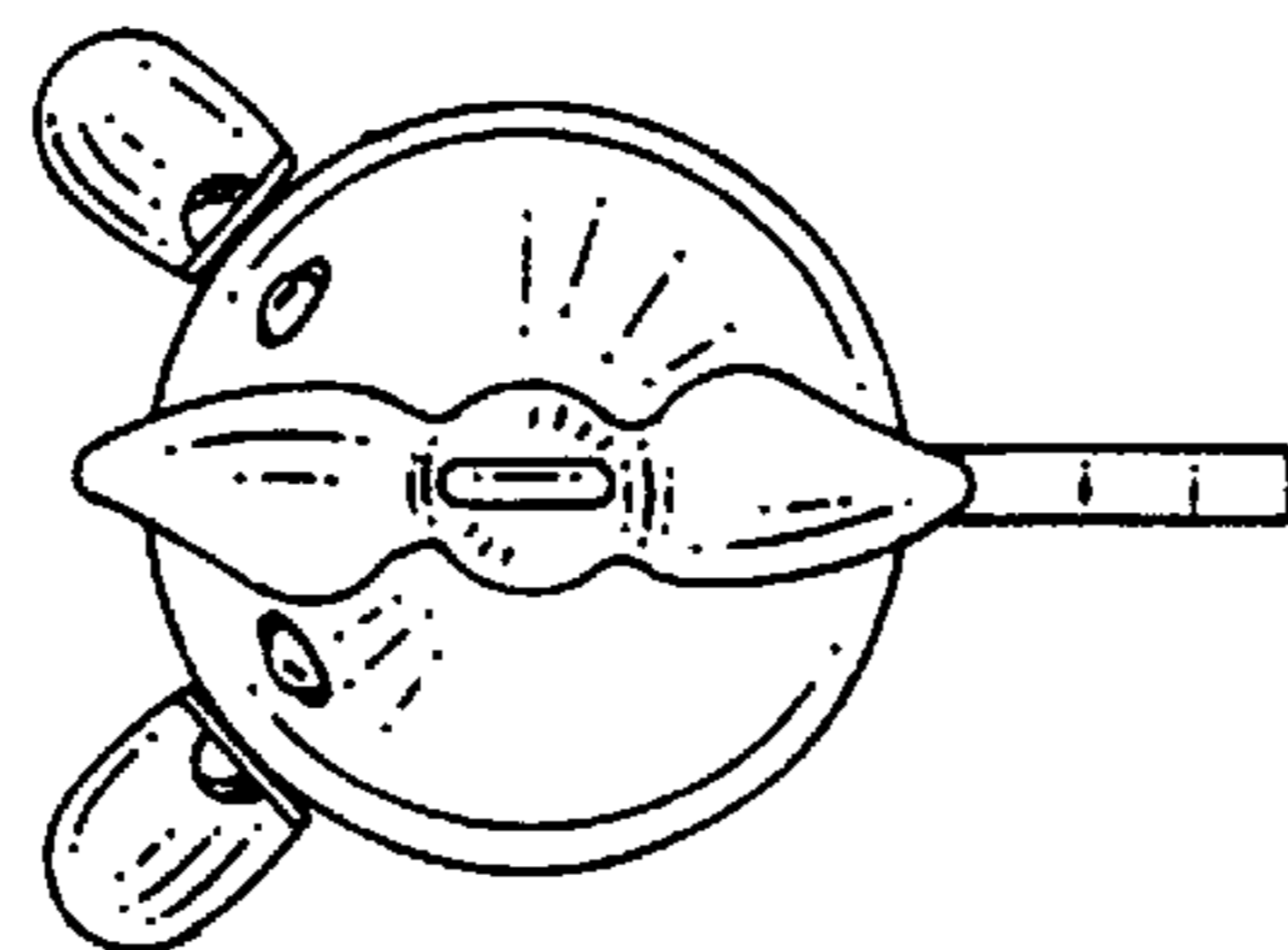


FIG. 8

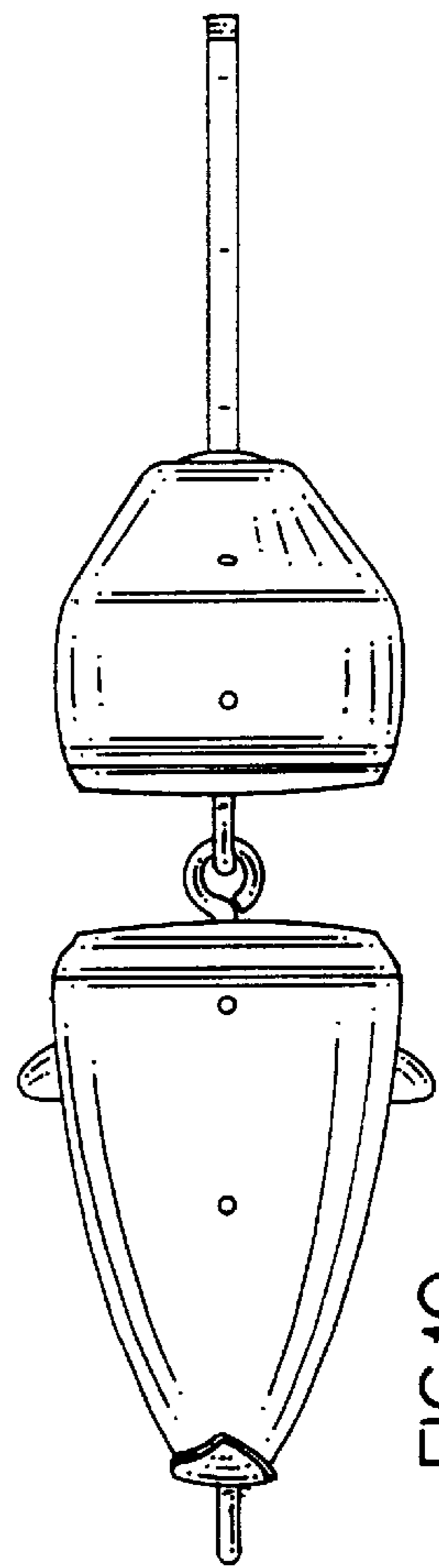


FIG. 10