



US00D457591S

(12) **United States Design Patent** (10) **Patent No.:** **US D457,591 S**
Christianson et al. (45) **Date of Patent:** **** May 21, 2002**

(54) **PEST CONTROL DEVICE**

(75) Inventors: **Tristan M. Christianson**, San Francisco; **Gregory S. Snyder**, Novato, both of CA (US)

(73) Assignee: **Sharper Image Corporation**, San Francisco, CA (US)

(**) Term: **14 Years**

(21) Appl. No.: **29/144,954**

(22) Filed: **Jul. 13, 2001**

(51) **LOC (7) Cl.** **22-05**

(52) **U.S. Cl.** **D22/119; D22/122**

(58) **Field of Search** D22/119, 122, D22/123; 43/112, 113, 124, 139, 107, 132.1, 133, 122

(56) **References Cited**

U.S. PATENT DOCUMENTS

D50,904 S	*	6/1917	Czerna	D22/122
D89,900 S	*	5/1933	Lippert	D22/122
D359,790 S	*	6/1995	Blotnick	D22/122
D421,477 S	*	3/2000	Kalal	D22/122
D431,857 S		10/2000	Christianson	D22/119
D449,091 S	*	10/2001	Child	D22/122

OTHER PUBLICATIONS

The Sharper Image Sep. 2000 Catalogue, Insector The Bug Collector, p. 73.

Hard-To-Find Tools, Brookstone Summer 1999 Catalogue, Item G, p. 49.

The Sharper Image Sep. 1997 cover page and Catalogue, p. 12.

* cited by examiner

Primary Examiner—Catherine R. Oliver

(74) *Attorney, Agent, or Firm*—Fliesler Dubb Meyer & Lovejoy LLP

(57) **CLAIM**

The ornamental design for a pest control device, as shown and described.

DESCRIPTION

FIG. 1 is a top perspective view of a pest control device showing our new design;

FIG. 2 is a bottom perspective view thereof;

FIG. 3 is a left side view thereof;

FIG. 4 is a right side view thereof;

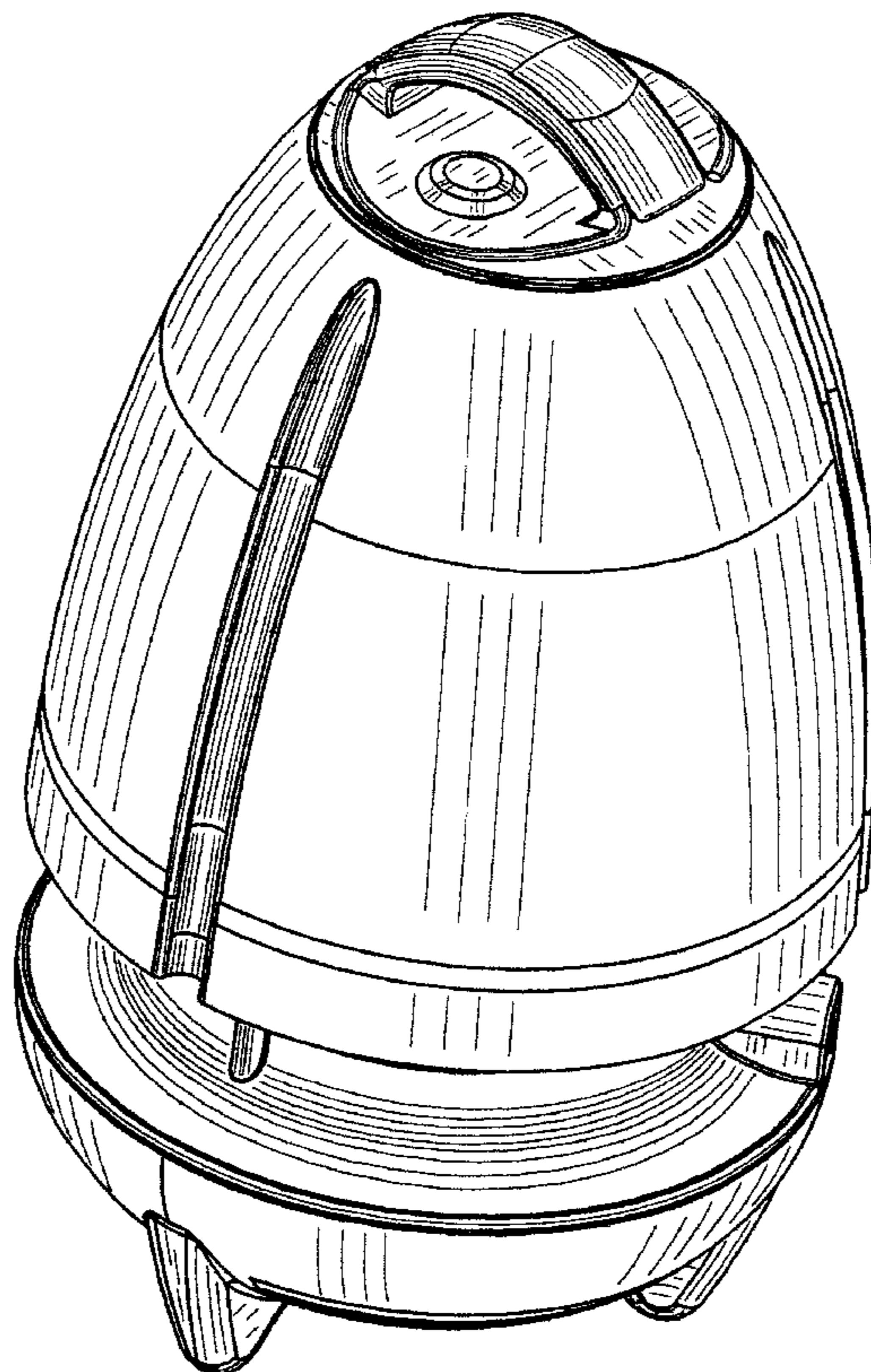
FIG. 5 is a front view thereof;

FIG. 6 is a rear view thereof;

FIG. 7 is top view thereof; and,

FIG. 8 is a bottom view thereof.

1 Claim, 8 Drawing Sheets



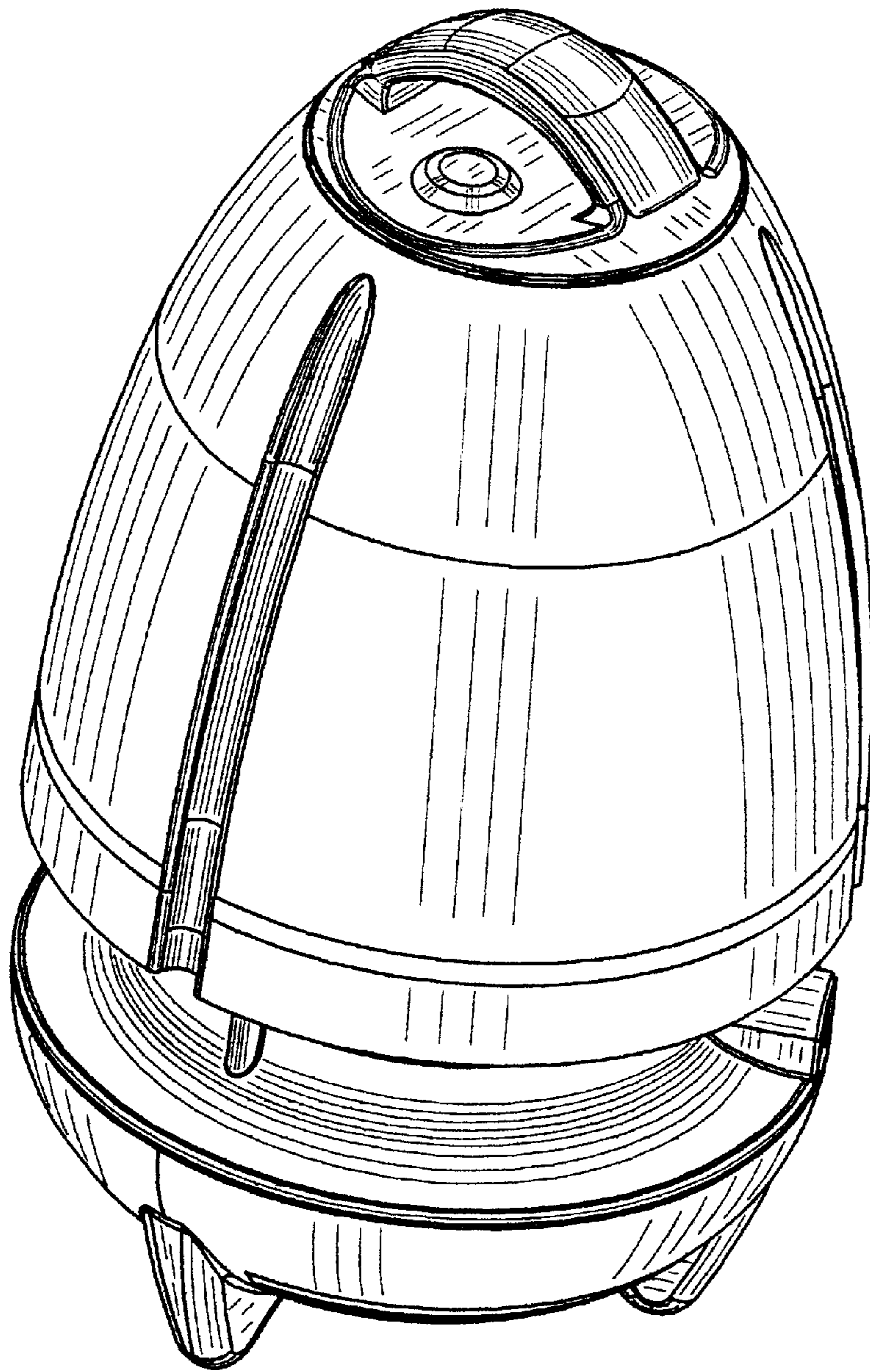


FIG. - 1

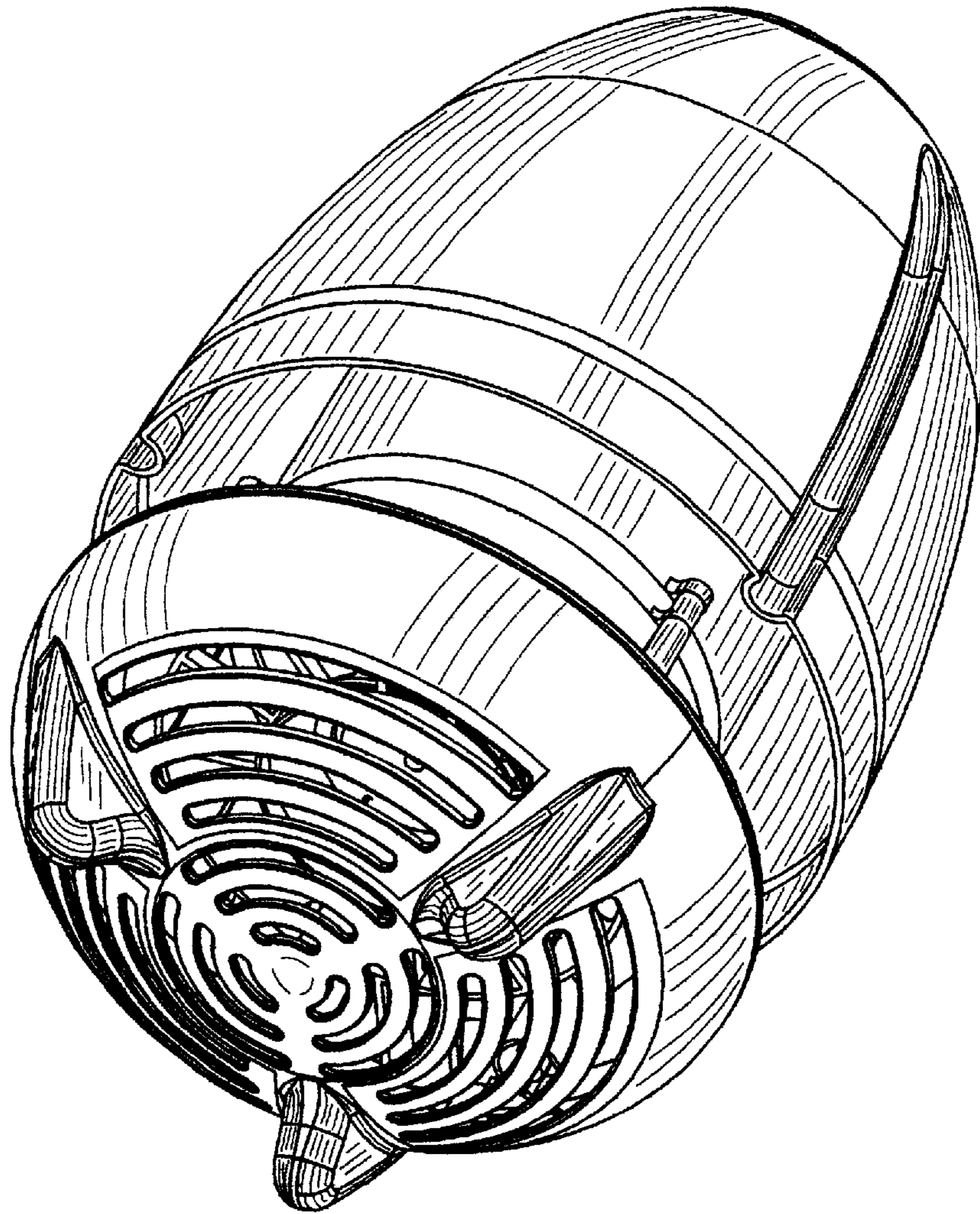


FIG. - 2

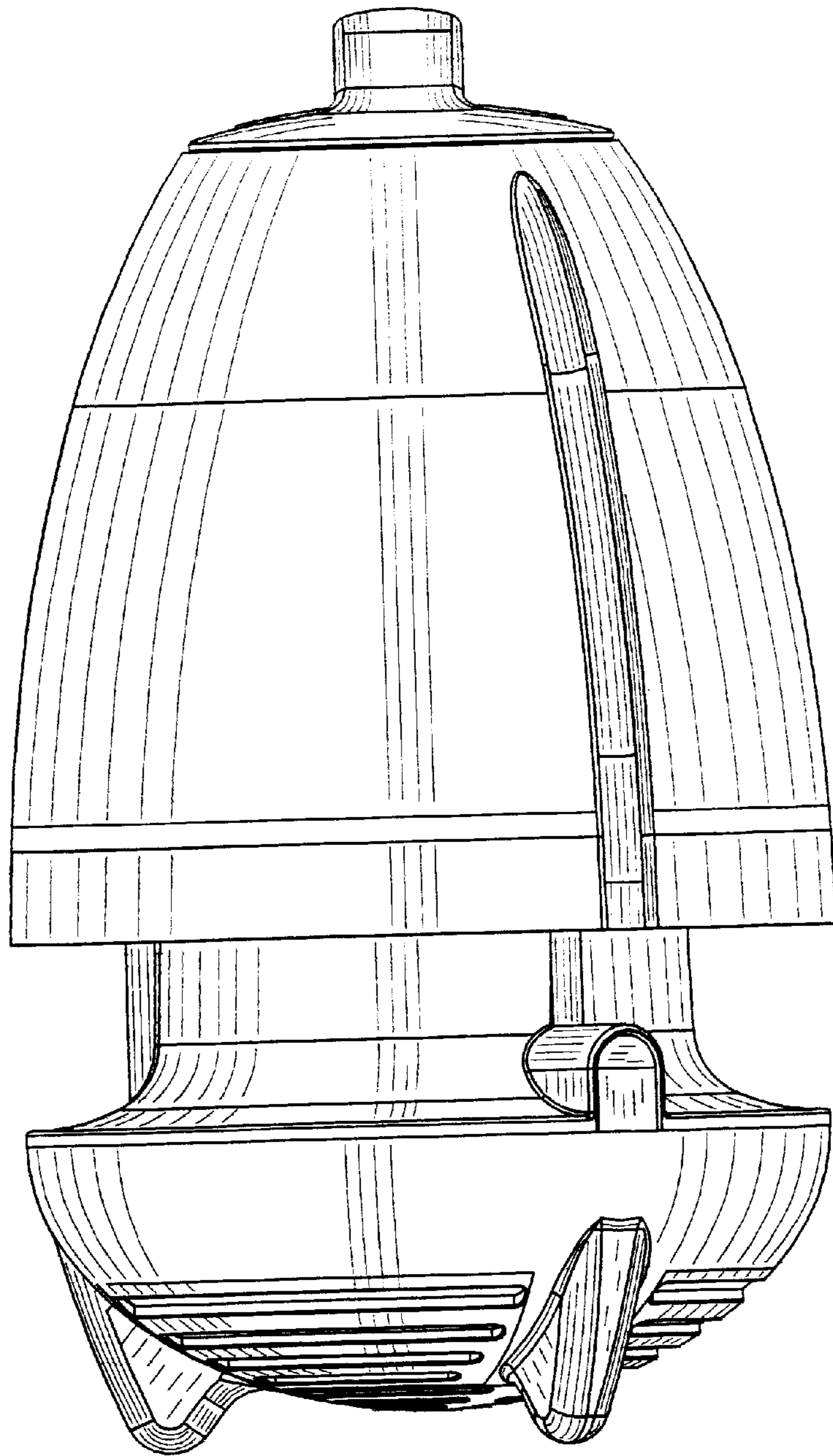


FIG. - 3

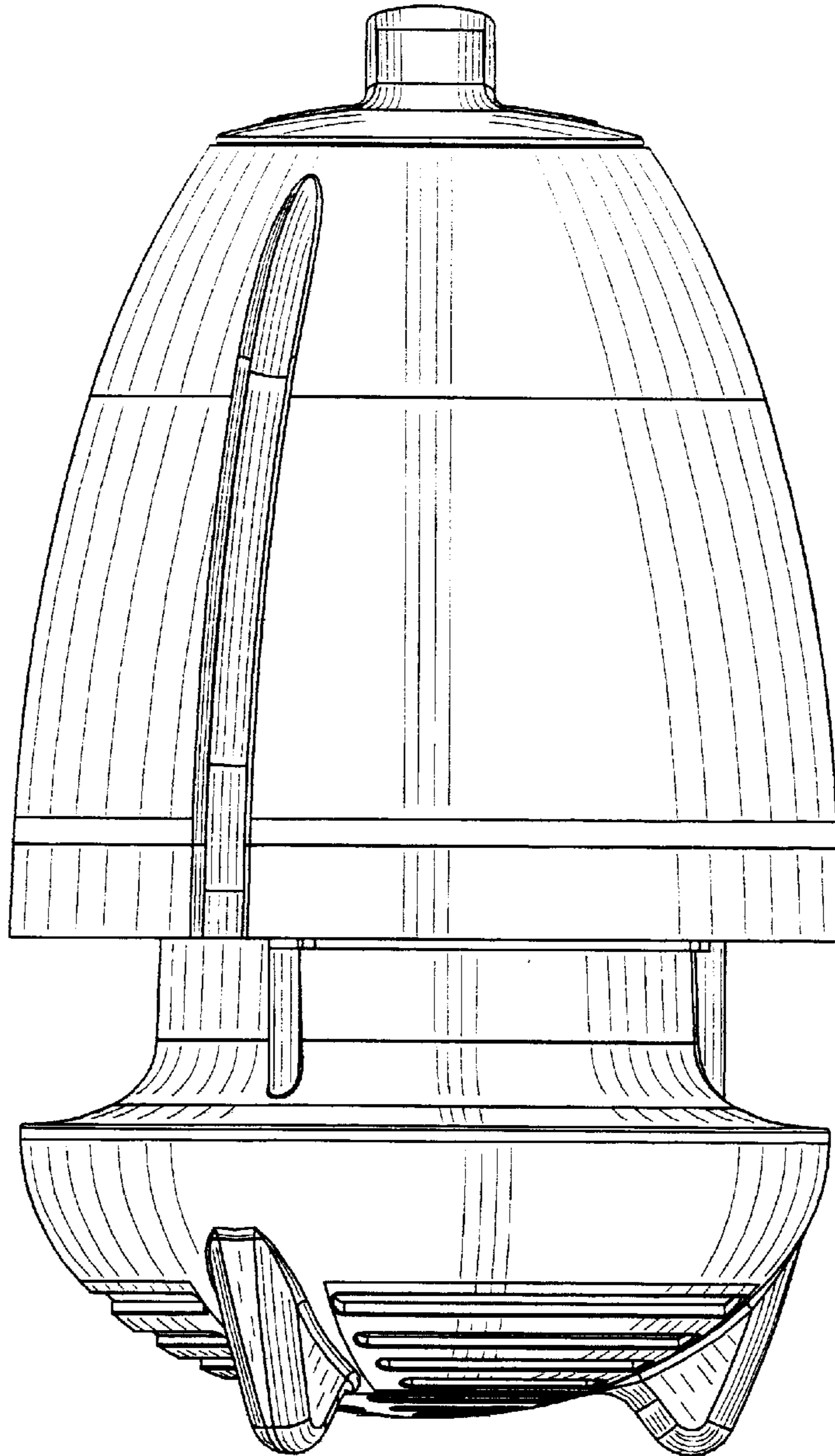


FIG. - 4

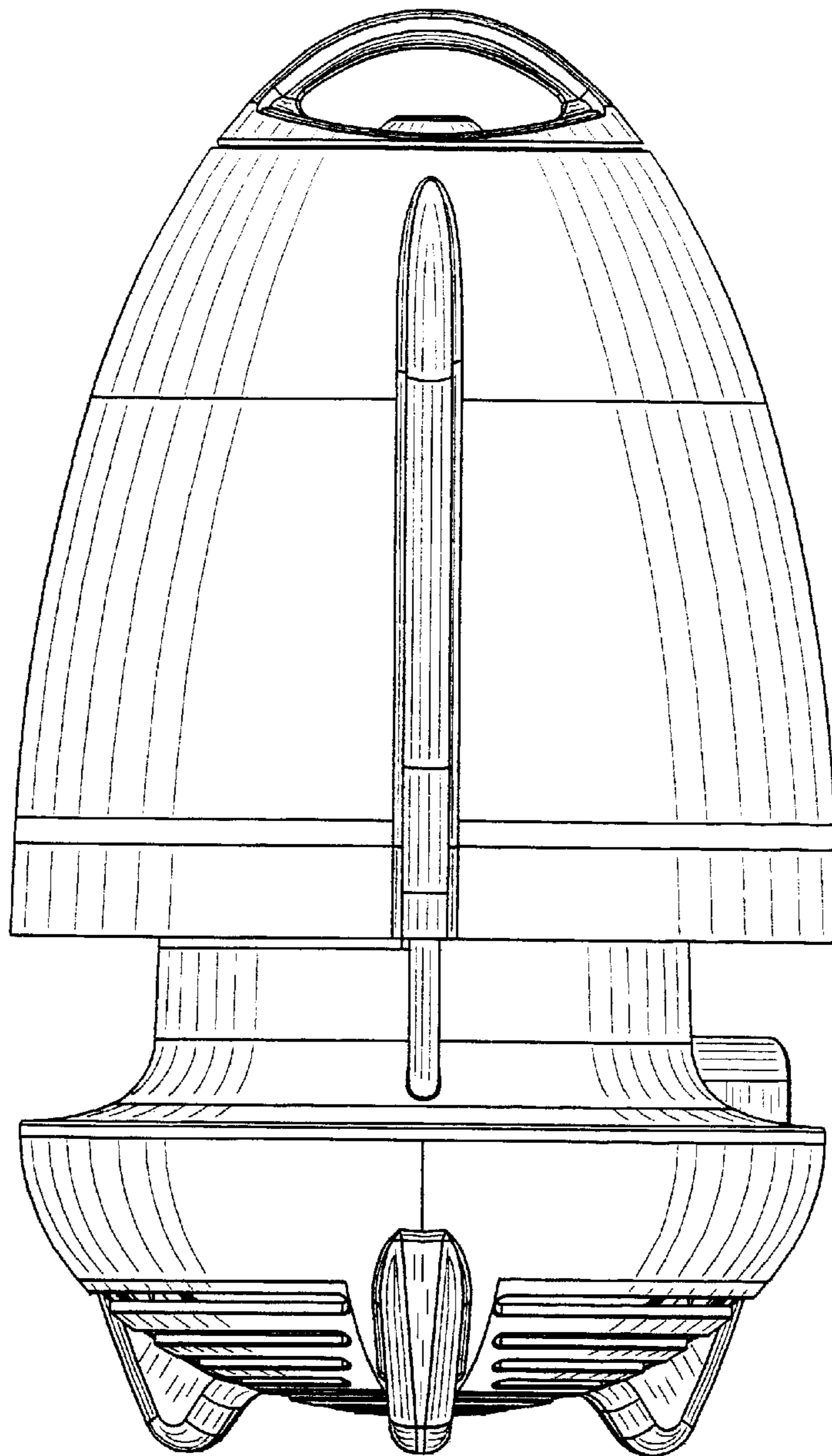


FIG. - 5

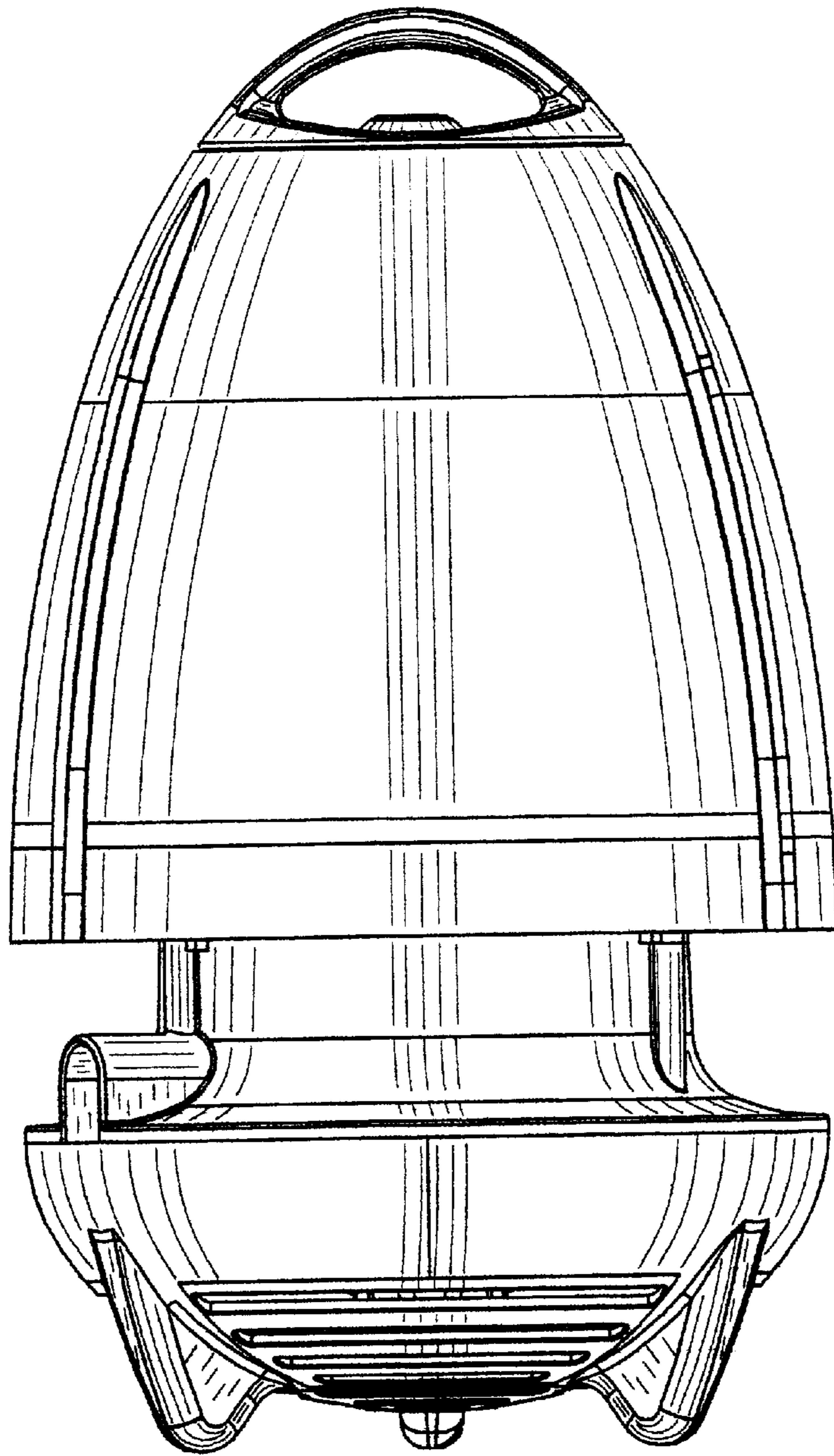


FIG. - 6

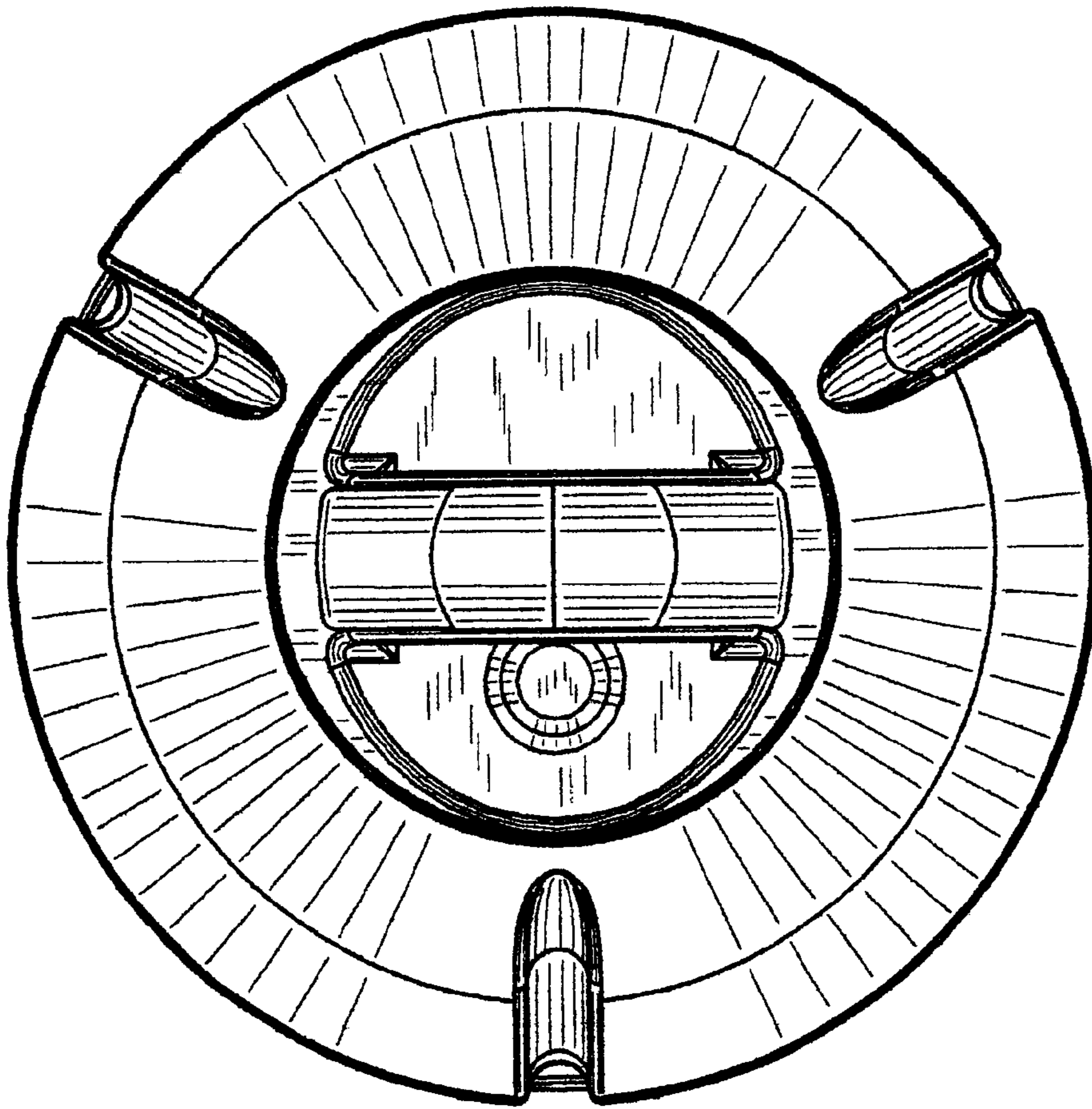


FIG. - 7

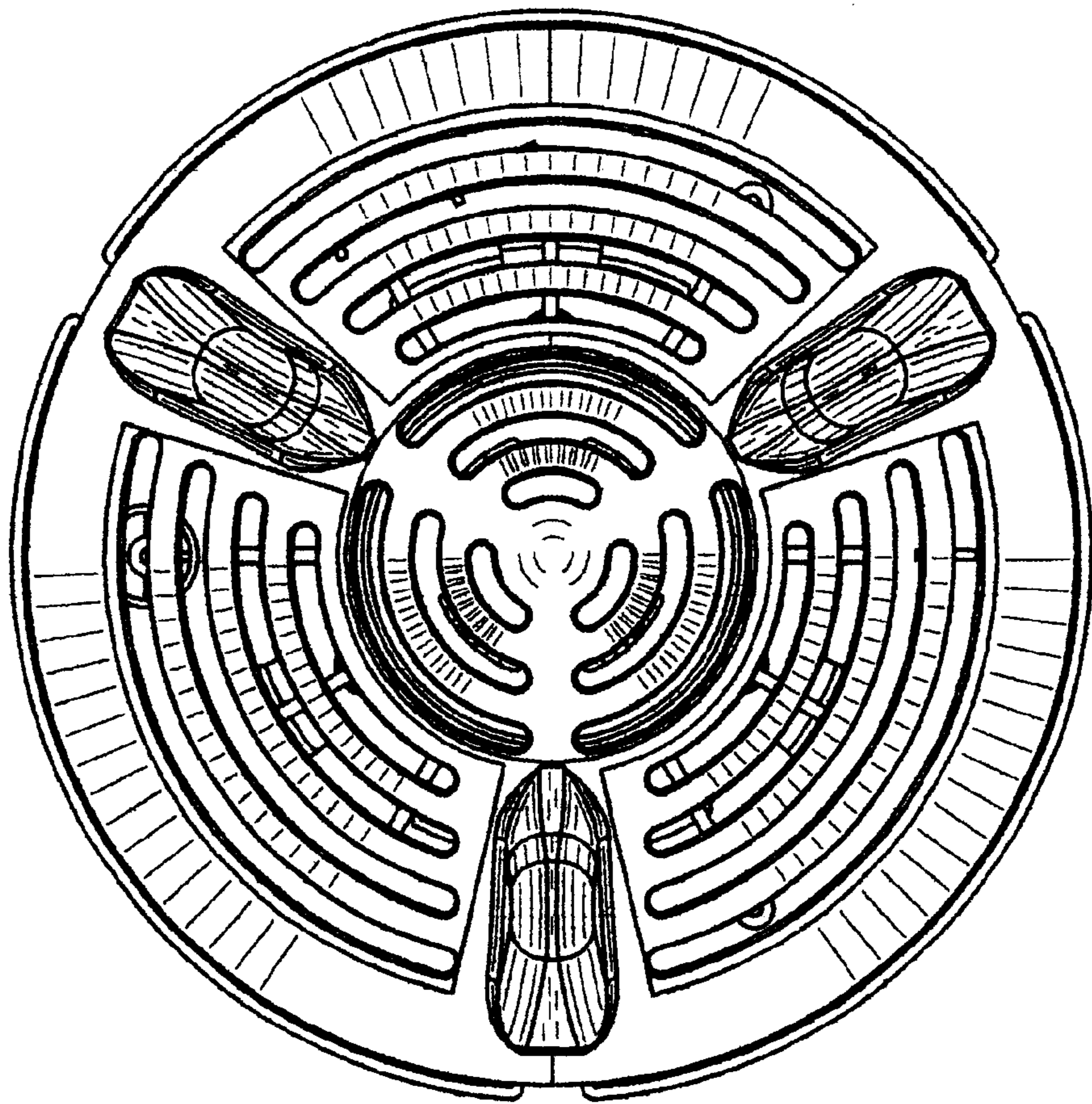


FIG. - 8