



US00D457582S

(12) **United States Design Patent**  
**Helmstetter et al.**

(10) **Patent No.:** **US D457,582 S**

(45) **Date of Patent:** **\*\* May 21, 2002**

(54) **IRON GOLF CLUB HEAD**

(75) Inventors: **Richard C. Helmstetter**, Rancho Santa Fe; **Roger Cleveland**, Los Angeles; **Augustin Rollinson**, San Diego; **Karl A. Clausen**, San Marcos; **Robert R. Lang**, Escondido, all of CA (US)

(73) Assignee: **Callaway Golf Company**, Carlsbad, CA (US)

(\*\*) Term: **14 Years**

(21) Appl. No.: **29/147,149**

(22) Filed: **Aug. 22, 2001**

(51) **LOC (7) Cl.** ..... **21-02**

(52) **U.S. Cl.** ..... **D21/748**

(58) **Field of Search** ..... D21/736-746;  
473/324, 327-331, 350

(56) **References Cited**

**U.S. PATENT DOCUMENTS**

5,120,062	A	6/1992	Scheie et al.	
D347,254	S	5/1994	Inuma	
5,333,872	A	8/1994	Manning et al.	
D353,644	S	12/1994	Hirsch et al.	
5,375,840	A	12/1994	Hirsch et al.	
D354,786	S	1/1995	Manning et al.	
5,409,229	A	* 4/1995	Schmidt et al.	473/332
5,423,546	A	6/1995	Manning et al.	

D360,445	S	* 7/1995	Schmidt et al.	.....	D21/748
D364,206	S	* 11/1995	Schmidt et al.	.....	D21/748
D366,082	S	1/1996	Dekura		
5,497,995	A	3/1996	Swisshelm		
5,547,194	A	8/1996	Aizawa et al.		
5,595,552	A	1/1997	Wright et al.		
5,626,530	A	* 5/1997	Schmidt et al.	.....	473/324

\* cited by examiner

*Primary Examiner*—Mitchell Siegel

(74) *Attorney, Agent, or Firm*—Michael A. Catania

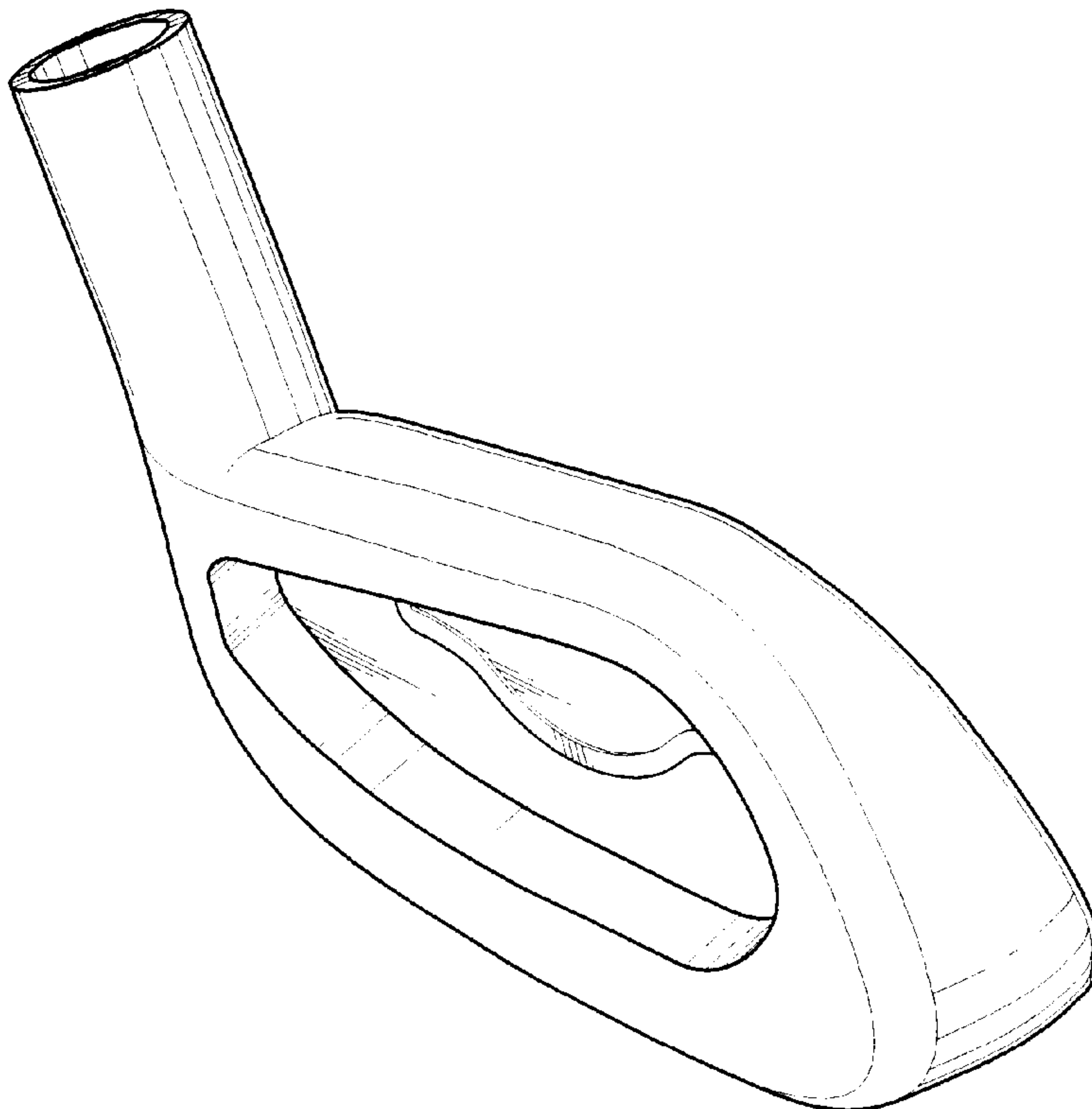
(57) **CLAIM**

The ornamental design for an iron golf club head, as shown and described.

**DESCRIPTION**

FIG. 1 is a perspective view of the golf club thereof; FIG. 2 is a front elevational view thereof; FIG. 3 is a front elevational view thereof; FIG. 4 is a rear elevational view thereof; FIG. 5 is a top plan view thereof; FIG. 6 is a bottom plan view thereof; FIG. 7 is a heel end view thereof; FIG. 8 is a toe end view thereof; FIG. 9 is a cross sectional view taken on line 9—9 of FIG. 3; and, FIG. 10 is a cross sectional view taken on line 10—10 of FIG. 3.

**1 Claim, 3 Drawing Sheets**



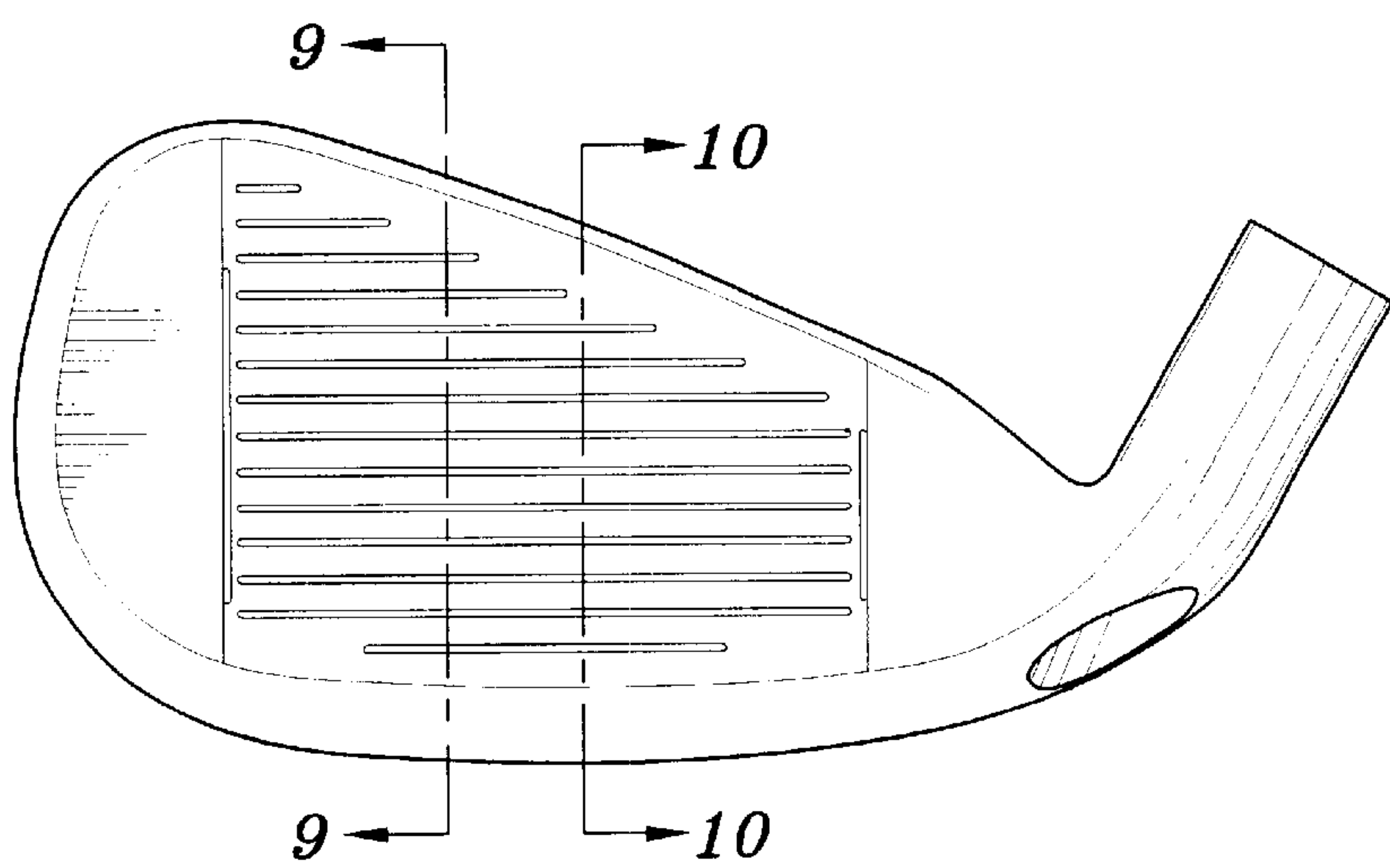
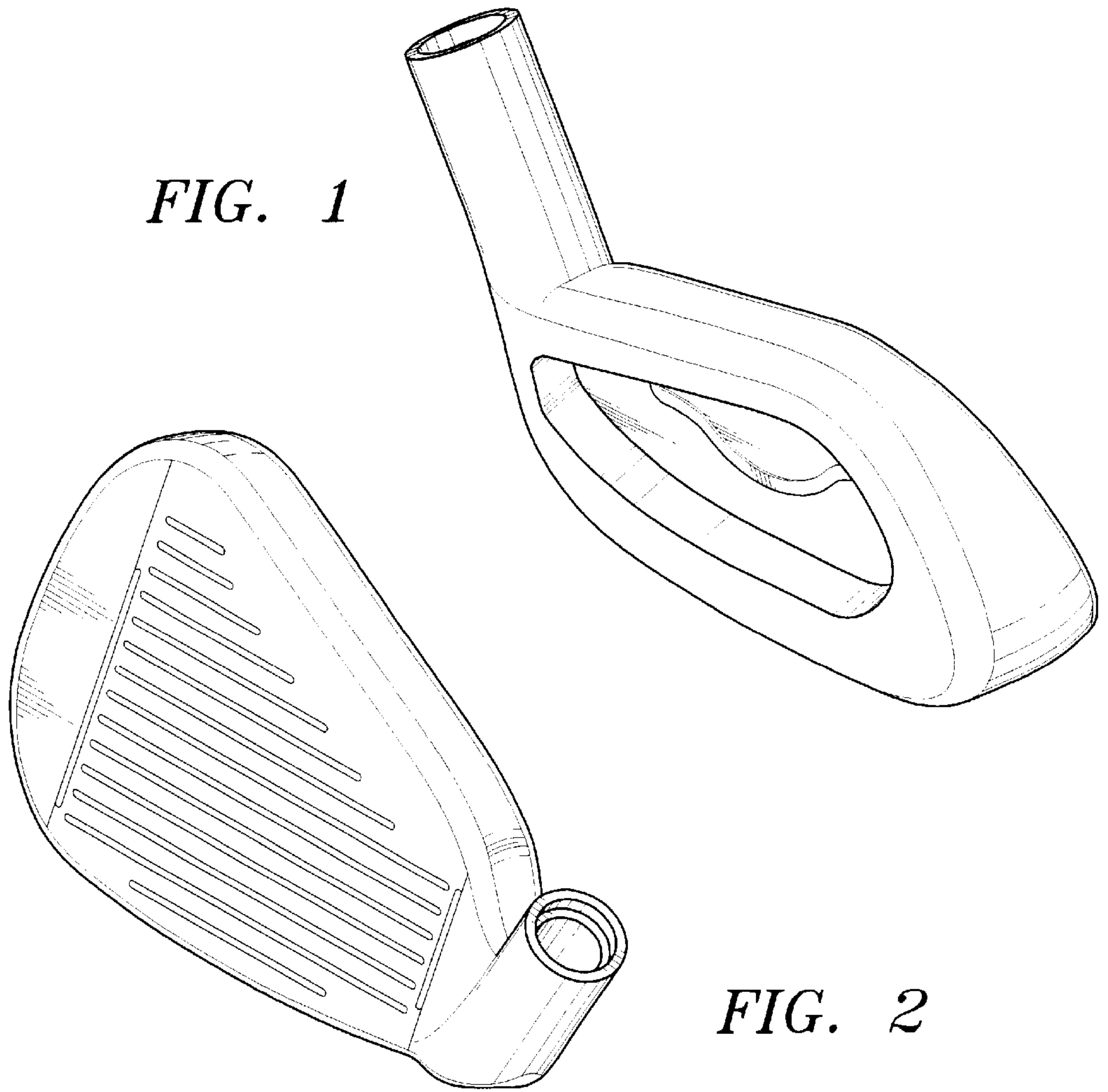
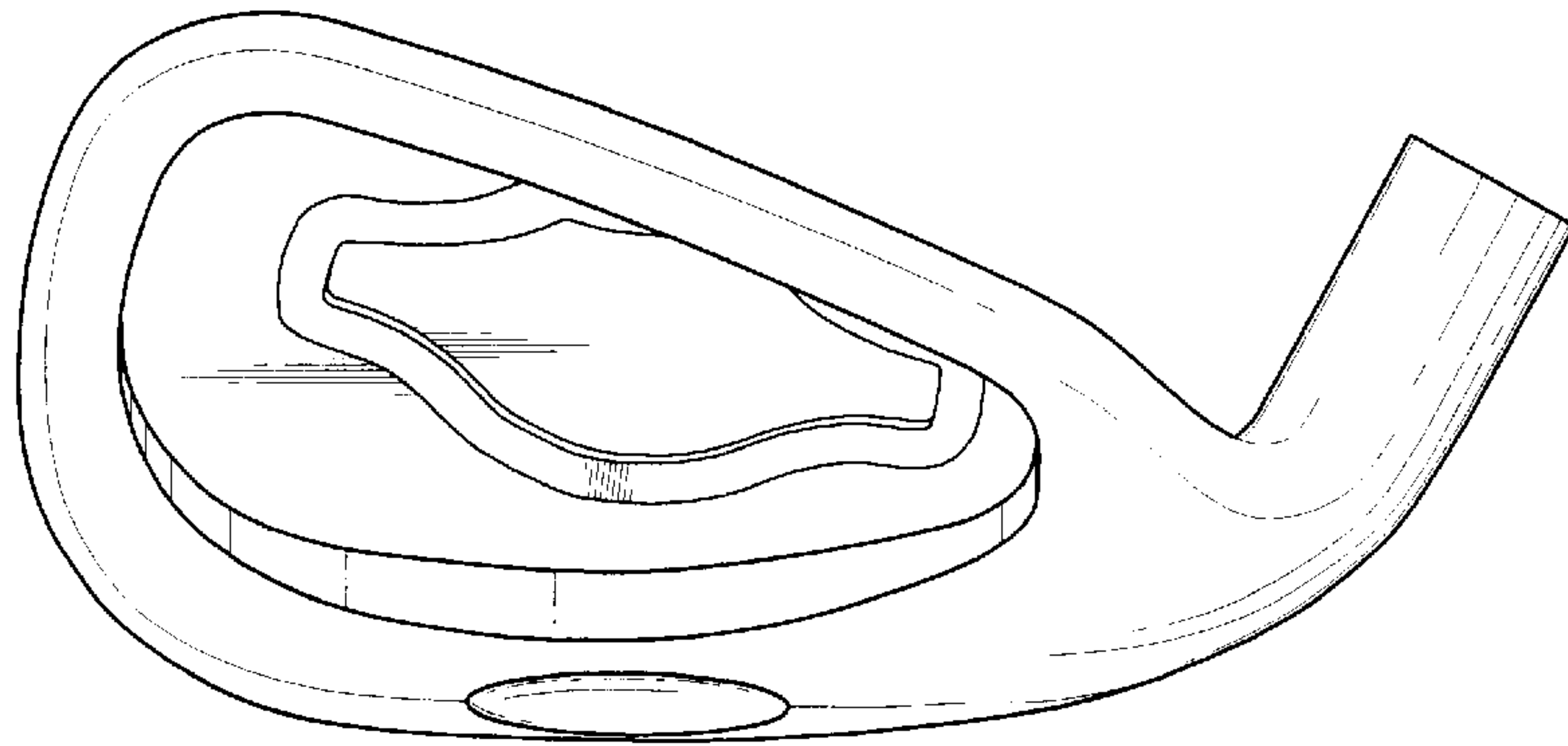
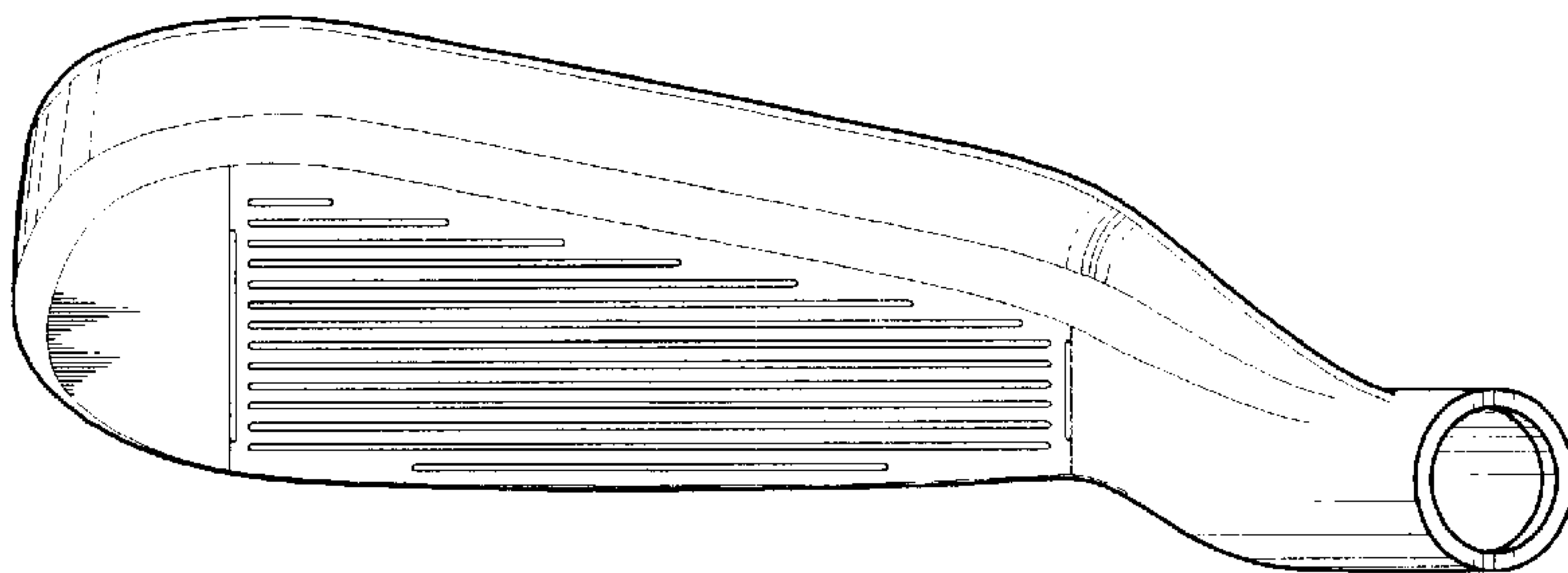


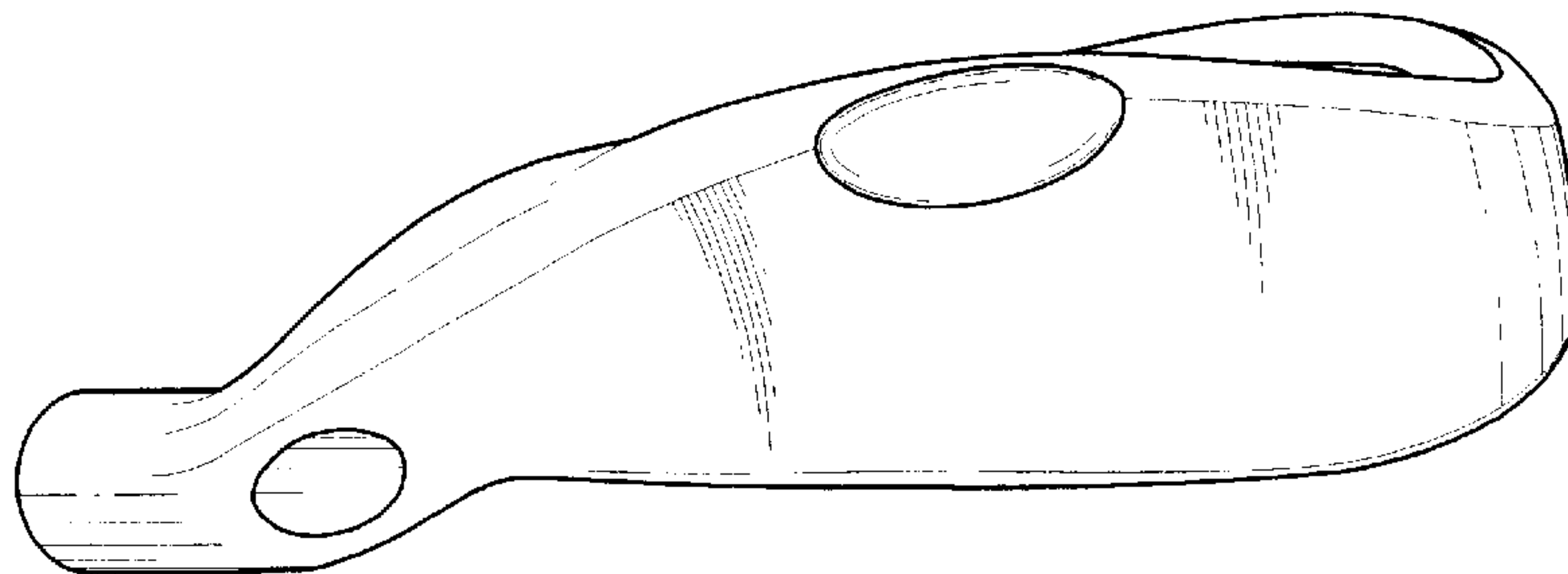
FIG. 3



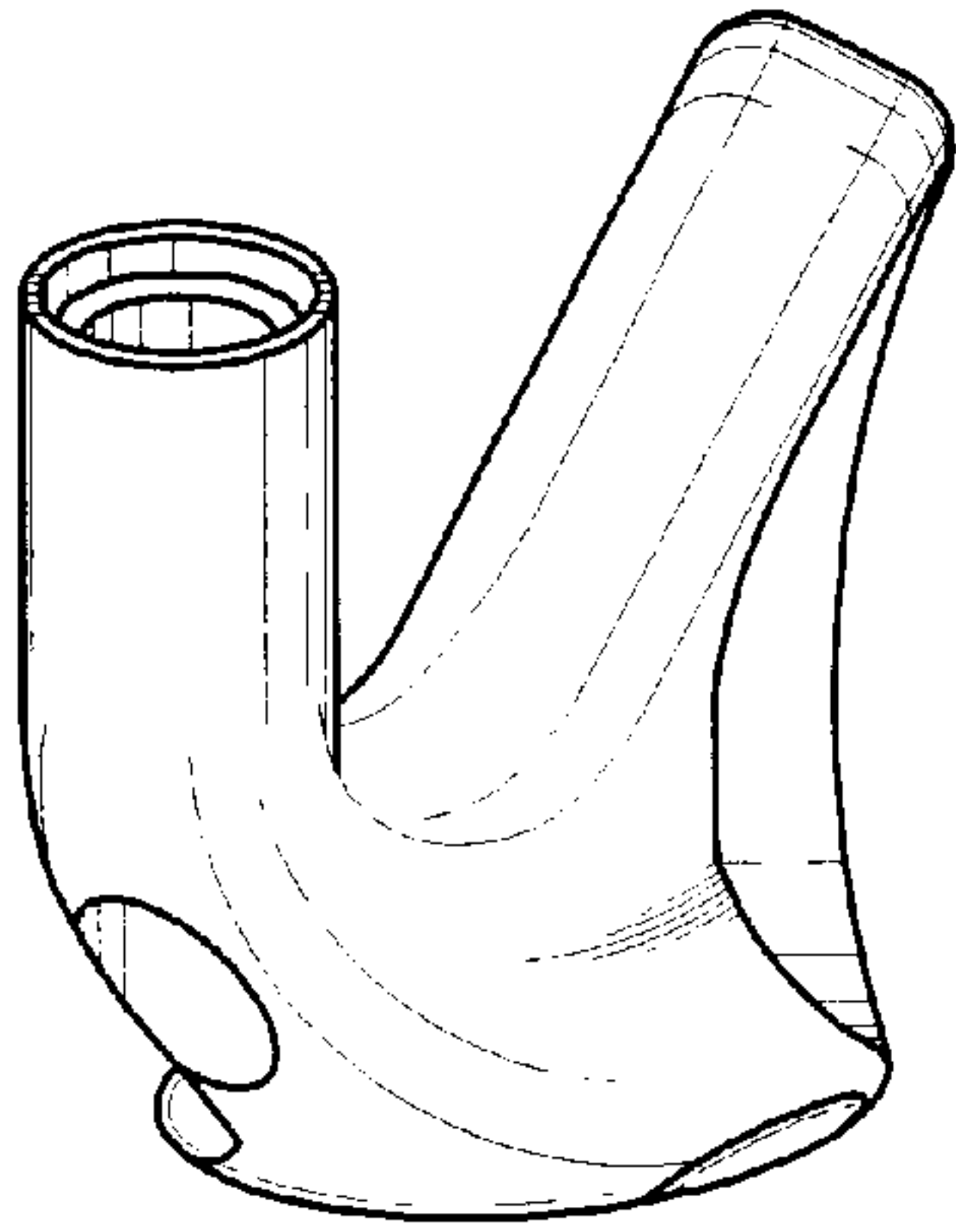
*FIG. 4*



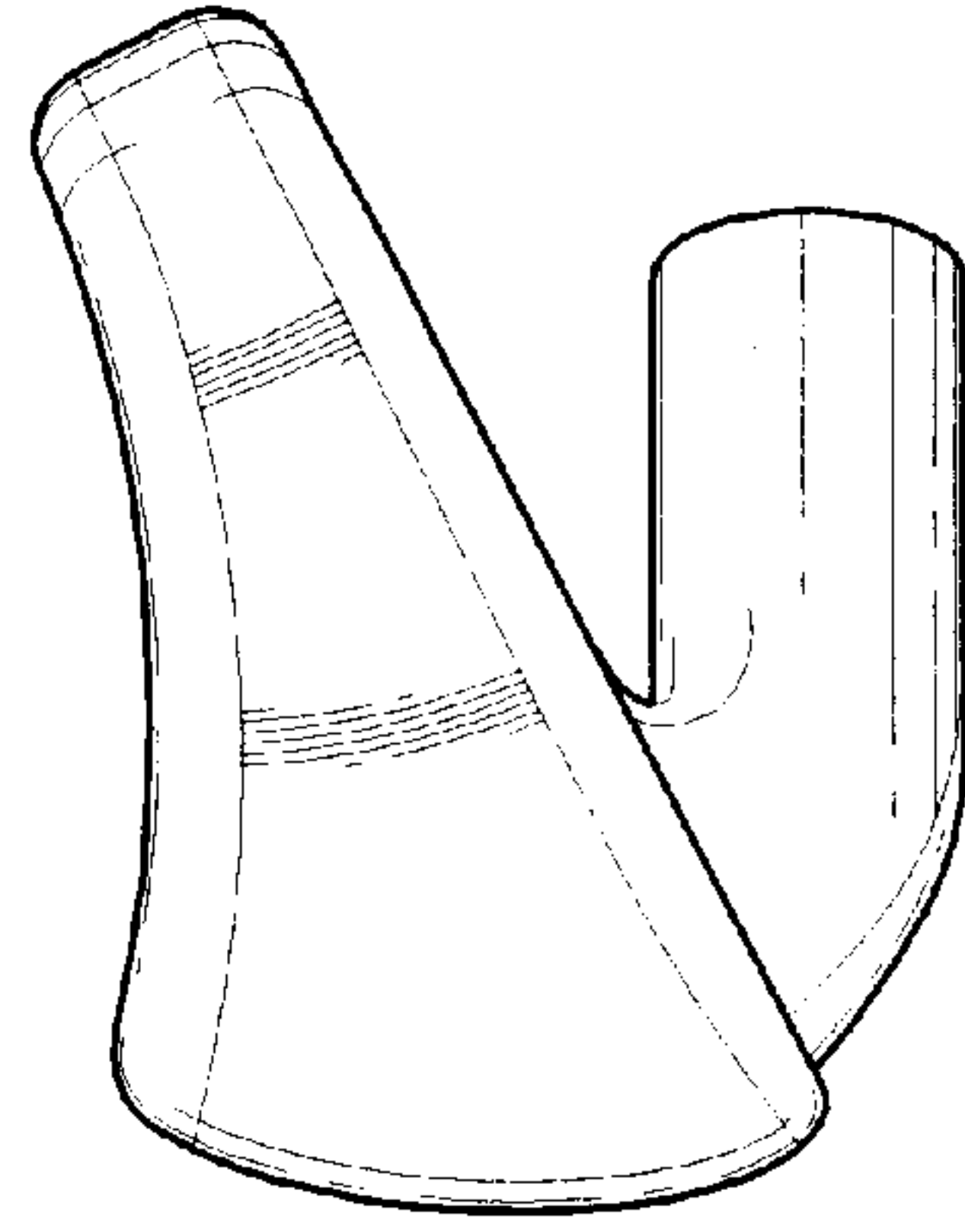
*FIG. 5*



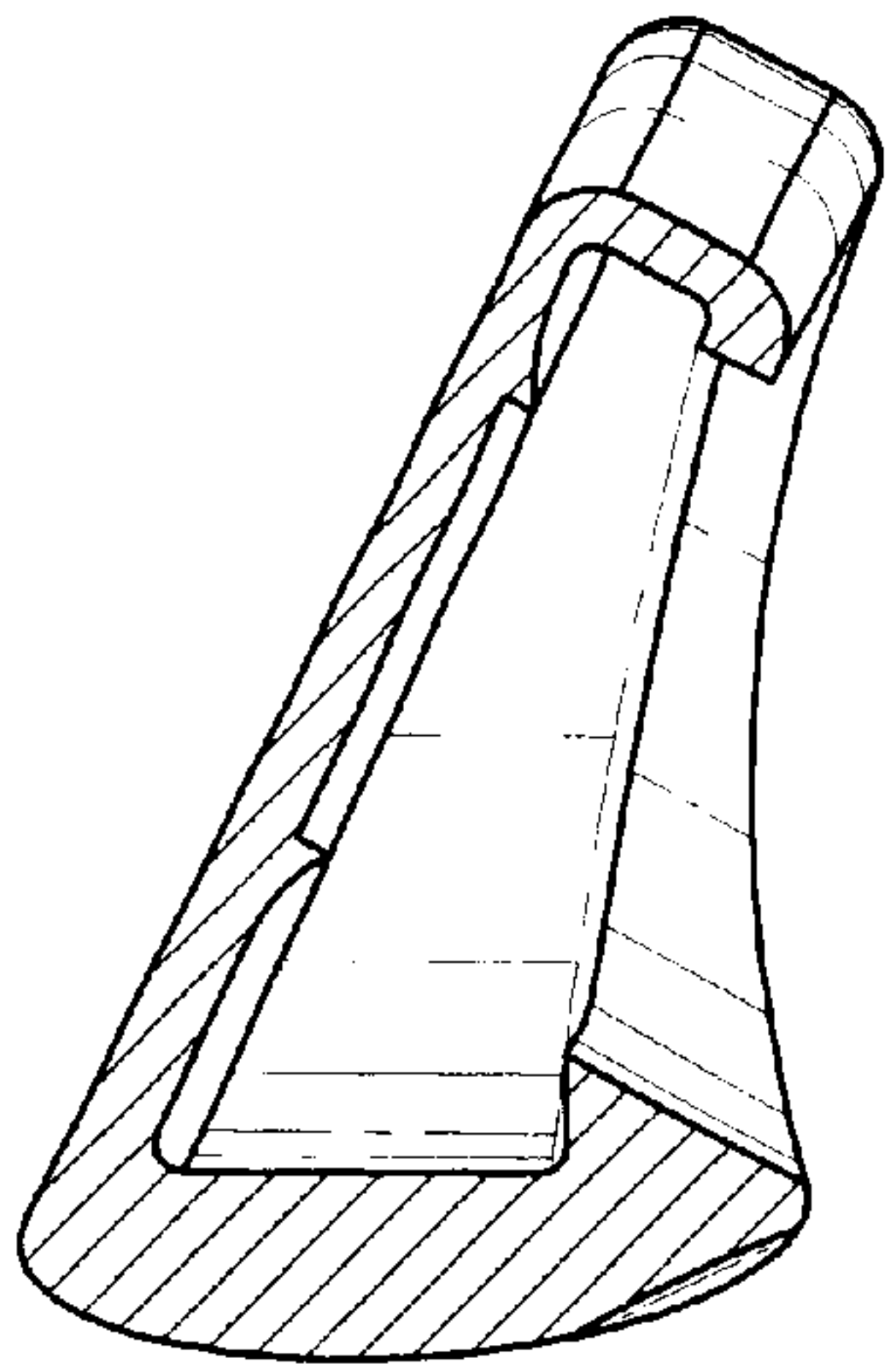
*FIG. 6*



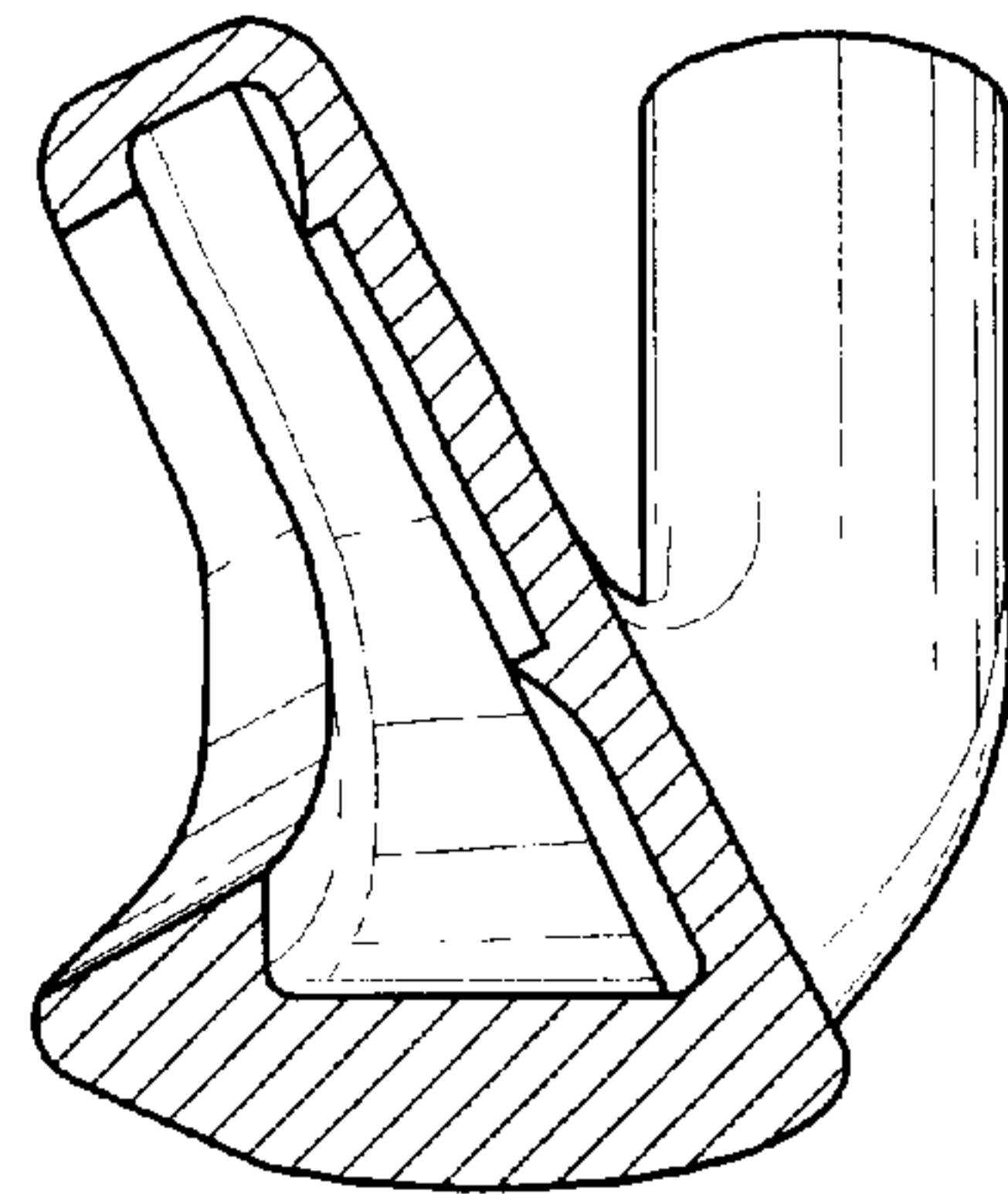
*FIG. 7*



*FIG. 8*



*FIG. 9*



*FIG. 10*