



US00D457579S

(12) **United States Design Patent** (10) **Patent No.:** **US D457,579 S**
Yiu (45) **Date of Patent:** **** May 21, 2002**

(54) **ELECTRONIC LUMINOUS SWORD**

(74) *Attorney, Agent, or Firm*—Thomas R. Vigil

(75) **Inventor:** **Choi Timmy Yiu, Hong Kong (HK)**

(57) **CLAIM**

(73) **Assignee:** **Tai Cheong Plastic Toys Industrial, Ltd., Hong Kong (HK)**

The ornamental design for an electronic luminous sword, as shown in the drawings.

(**) **Term:** **14 Years**

DESCRIPTION

(21) **Appl. No.:** **29/142,989**

FIG. 1 is a front elevational view of my electronic luminous sword.

(22) **Filed:** **Jun. 7, 2001**

(51) **LOC (7) Cl.** **21-01**

FIG. 2 is a right side elevational view of my electronic luminous sword and is taken along line 2—2 of FIG. 1.

(52) **U.S. Cl.** **D21/568**

(58) **Field of Search** D21/567, 568;
D22/104, 118; D3/12; 446/192, 405, 406,
473; 482/12, 83; 30/295, 340, 346

FIG. 3 is a left side elevational view of my electronic luminous sword and is taken along line 3—3 of FIG. 1.

(56) **References Cited**

FIG. 4 is a back elevational view of my electronic luminous sword and is taken along line 4—4 of FIG. 3.

U.S. PATENT DOCUMENTS

2,826,859 A *	3/1958	Shaffer	D21/568
D255,590 S *	6/1980	Berling et al.	D21/568
D257,635 S *	12/1980	Carreiro	D21/568
D361,104 S *	8/1995	Choi	D21/568
D409,264 S *	5/1999	Choi	D21/568

FIG. 5 is a top view of my electronic luminous sword and is taken along line 5—5 of FIG. 4.

OTHER PUBLICATIONS

FIG. 6 is a bottom view of my electronic luminous sword and is taken along line 6—6 of FIG. 4; and,

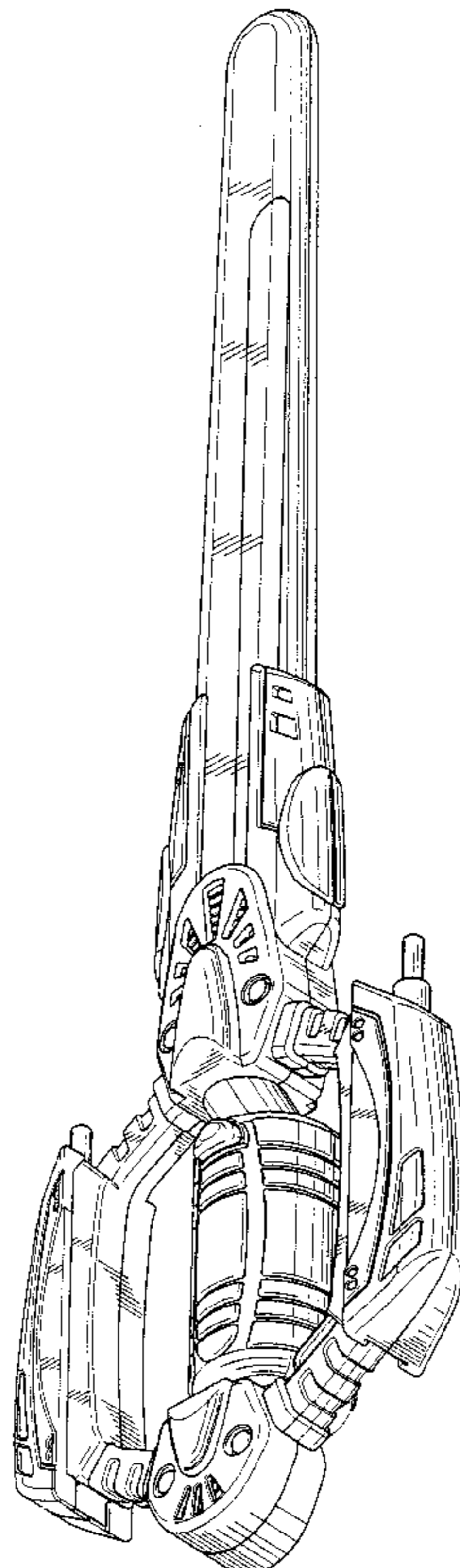
Hong Kong Toys, Cover, Feb. 1997.*

FIG. 7 is a back perspective elevational view of my electronic luminous sword.

* cited by examiner

Primary Examiner—Raphael Barkai

1 Claim, 7 Drawing Sheets



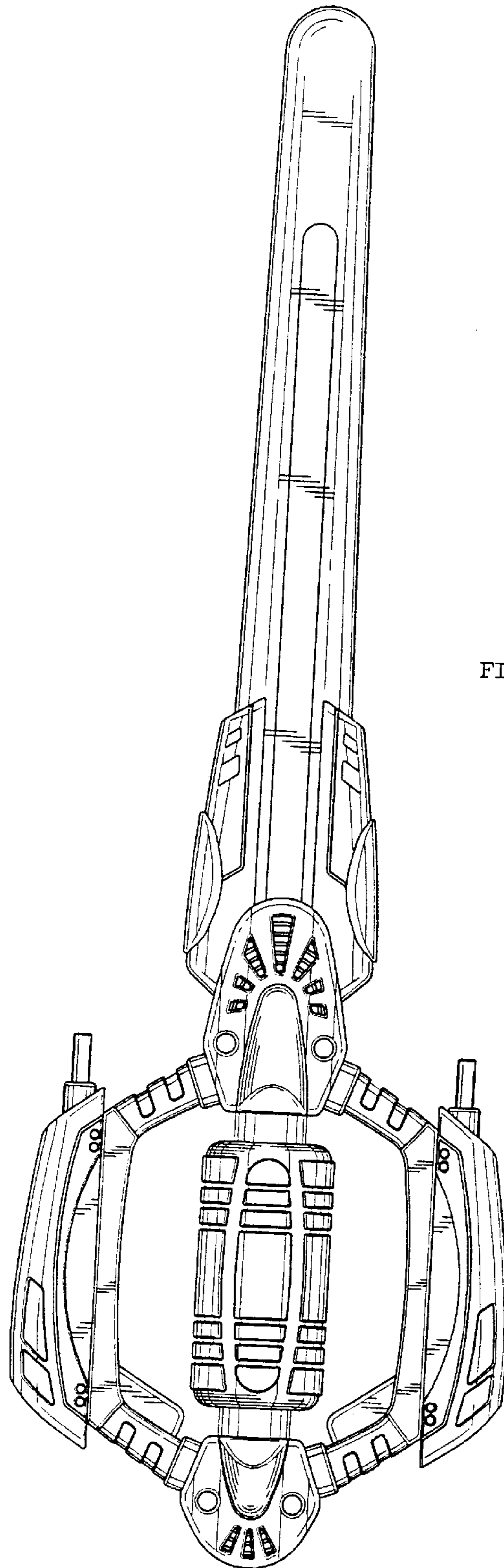
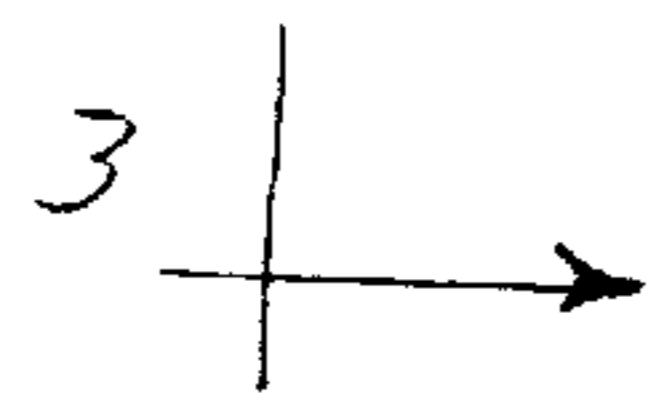
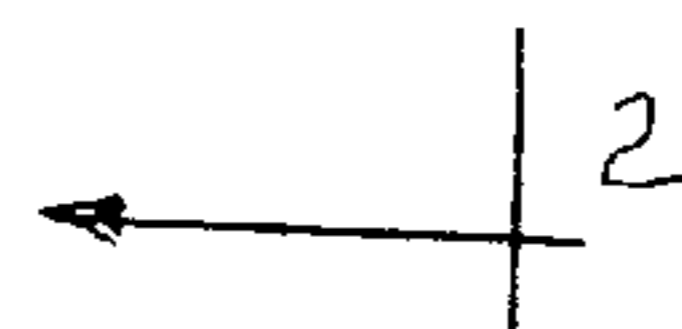


FIG. 1



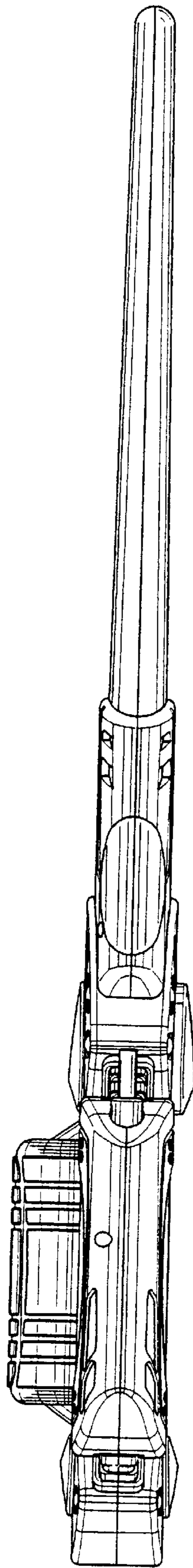


FIG. 2

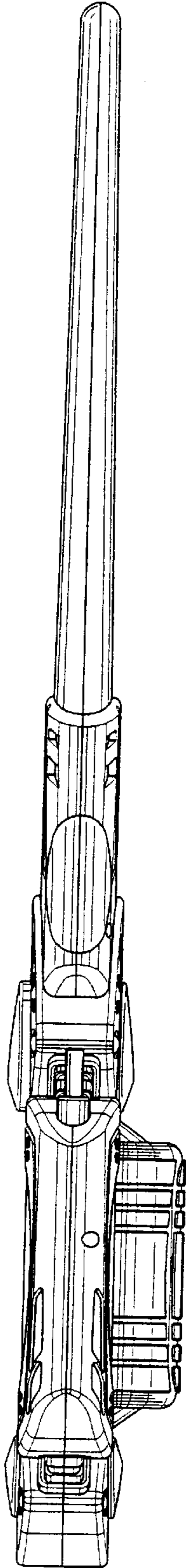
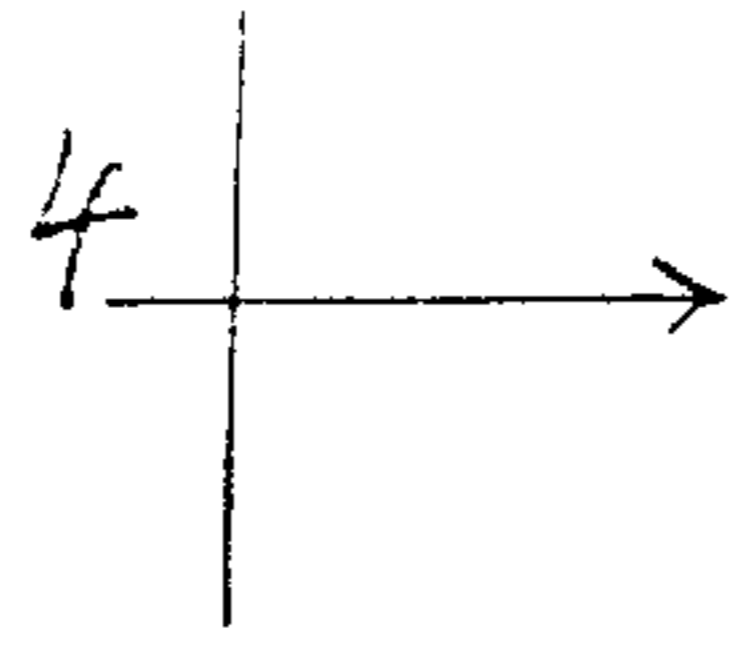
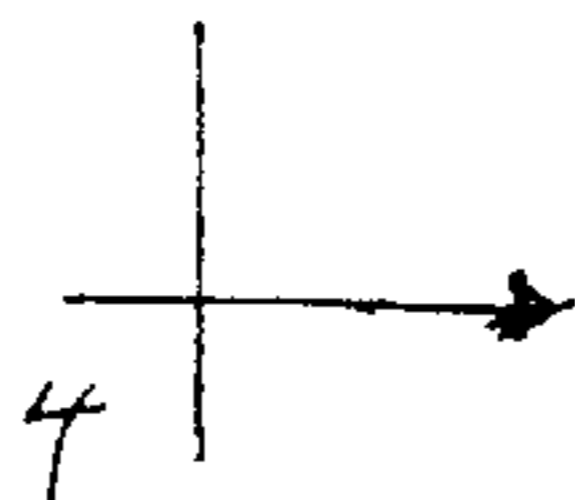
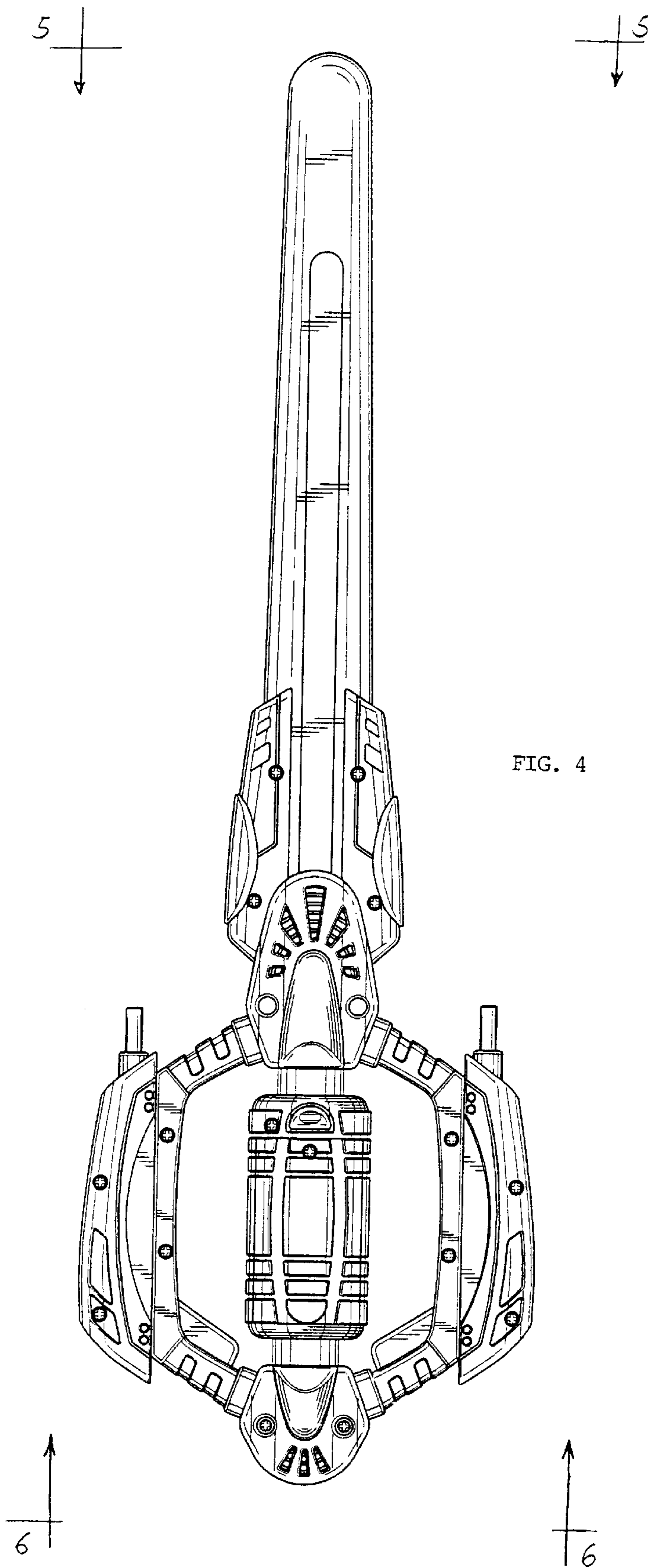


FIG. 3





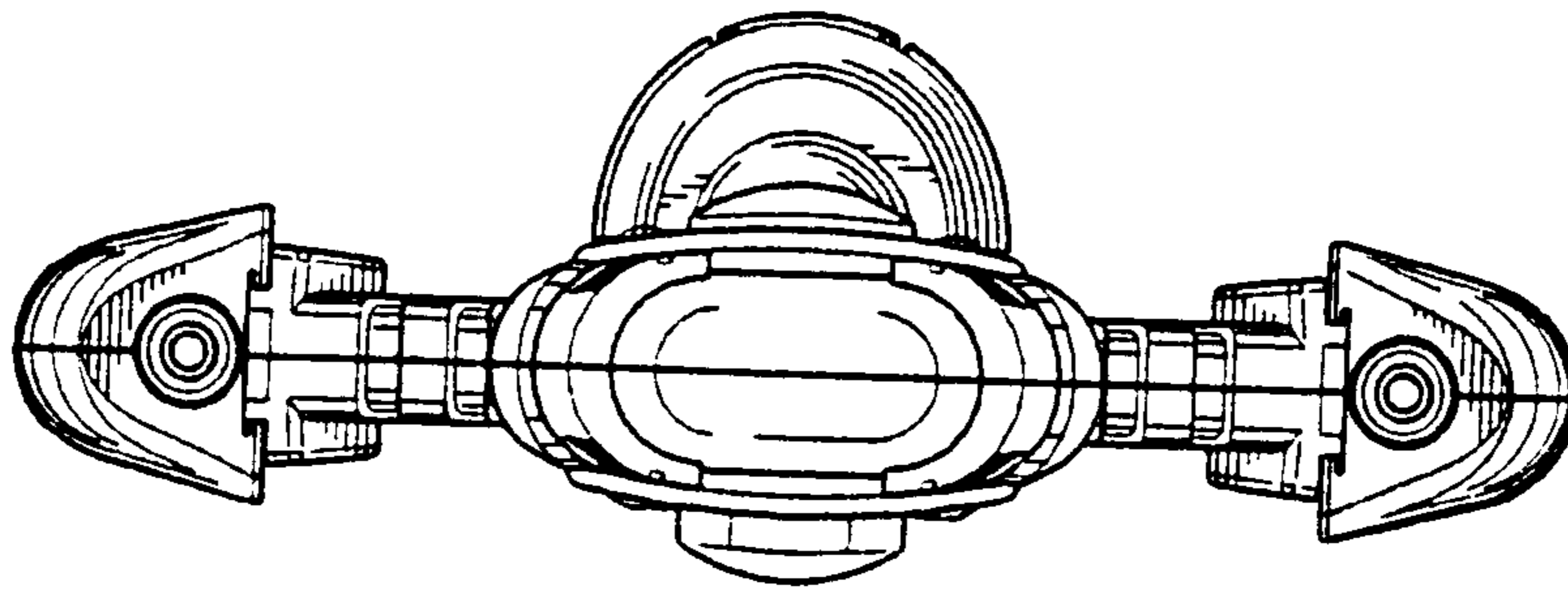


FIG. 5

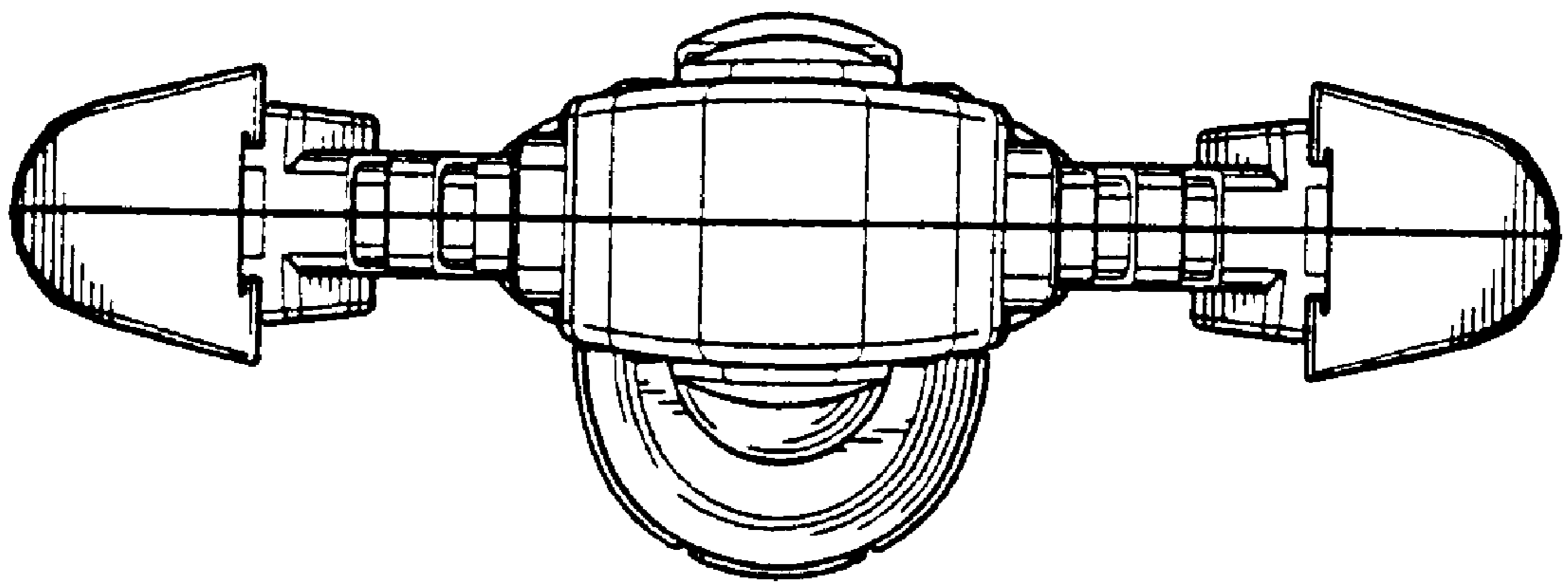


FIG. 6

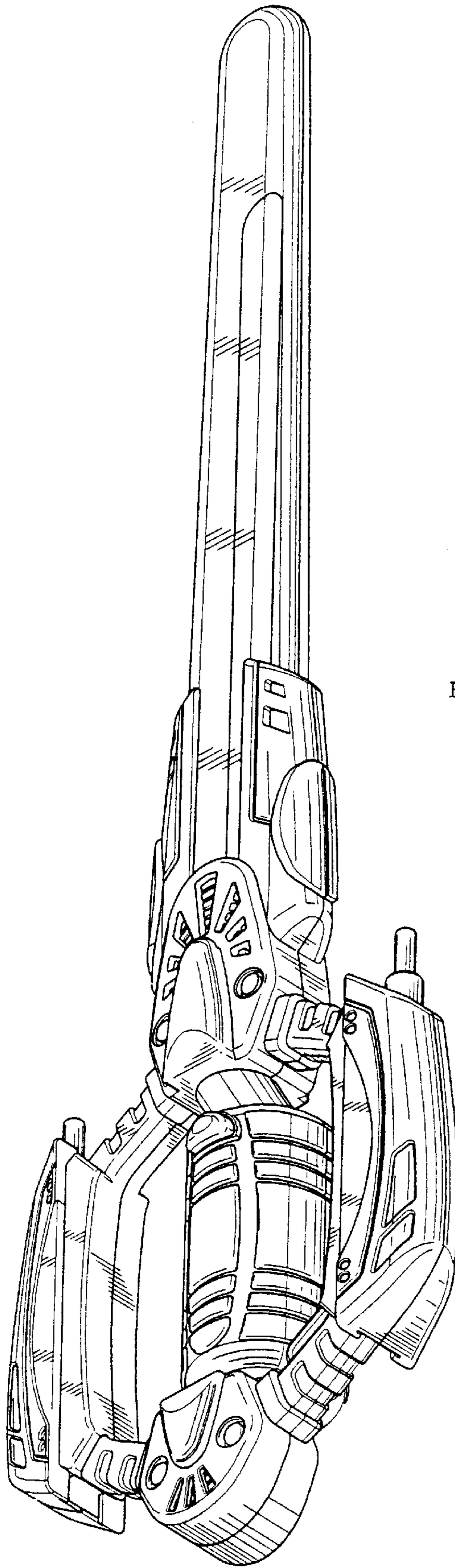


FIG. 7