



US00D457575S

(12) **United States Design Patent**  
**Newman et al.**

(10) **Patent No.:** **US D457,575 S**

(45) **Date of Patent:** **\*\* May 21, 2002**

(54) **TOY OVEN**

(76) Inventors: **Dillan W Newman; Robin Newman,**  
both of 2802 Langston Dr., Goldsboro,  
NC (US) 27534

(\*\*) Term: **14 Years**

(21) Appl. No.: **29/133,286**

(22) Filed: **Dec. 1, 2000**

(51) **LOC (7) Cl.** ..... **21-01**

(52) **U.S. Cl.** ..... **D21/524**

(58) **Field of Search** ..... D21/523-525,  
D21/533, 552-560; D7/345, 339, 342; 446/479,  
481, 482, 485, 75, 76, 470

(56) **References Cited**

**U.S. PATENT DOCUMENTS**

|             |   |         |                 |       |         |
|-------------|---|---------|-----------------|-------|---------|
| D156,245 S  | * | 11/1949 | Josefsberg      | ..... | D21/558 |
| 4,249,067 A |   | 2/1981  | Cummings        |       |         |
| D282,266 S  | * | 1/1986  | Richards        | ..... | D21/552 |
| D282,942 S  |   | 3/1986  | Hartelius       |       |         |
| 4,772,243 A |   | 9/1988  | Zeiss           |       |         |
| 5,451,745 A |   | 9/1995  | Goldberg et al. |       |         |

|             |   |        |                 |       |         |
|-------------|---|--------|-----------------|-------|---------|
| D366,804 S  |   | 2/1996 | Kitten          |       |         |
| 5,528,014 A |   | 6/1996 | Goldberg et al. |       |         |
| D407,757 S  | * | 4/1999 | Blumenthal      | ..... | D21/524 |
| 6,033,286 A | * | 3/2000 | Langlinois      | ..... | 446/481 |
| D445,465 S  | * | 7/2001 | Ma              | ..... | D21/552 |

\* cited by examiner

*Primary Examiner*—Raphael Barkai

(57) **CLAIM**

The ornamental design for a toy oven, as shown and described.

**DESCRIPTION**

FIG. 1 is a front elevational view of the toy oven of the present invention;  
 FIG. 2 is a rear elevational view of the toy oven of FIG. 1;  
 FIG. 3 is a top plan view of the toy oven of FIG. 1;  
 FIG. 4 is a bottom plan view of the toy oven of FIG. 1;  
 FIG. 5 is a right side elevational view of the toy oven of FIG. 1; and,  
 FIG. 6 is a left side elevational view of the toy oven of FIG. 1.

**1 Claim, 3 Drawing Sheets**

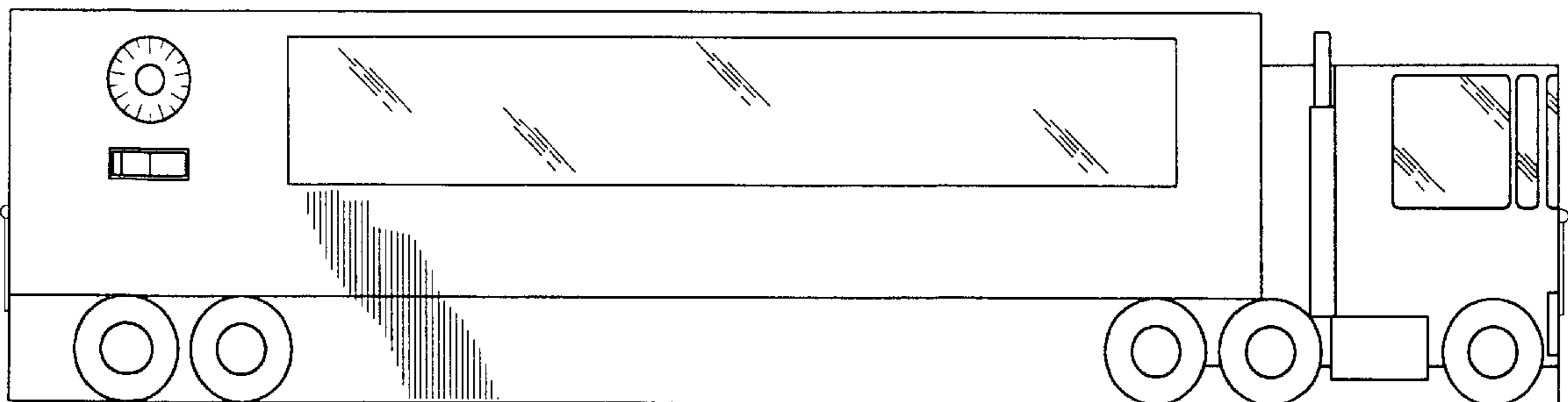


FIG. 1

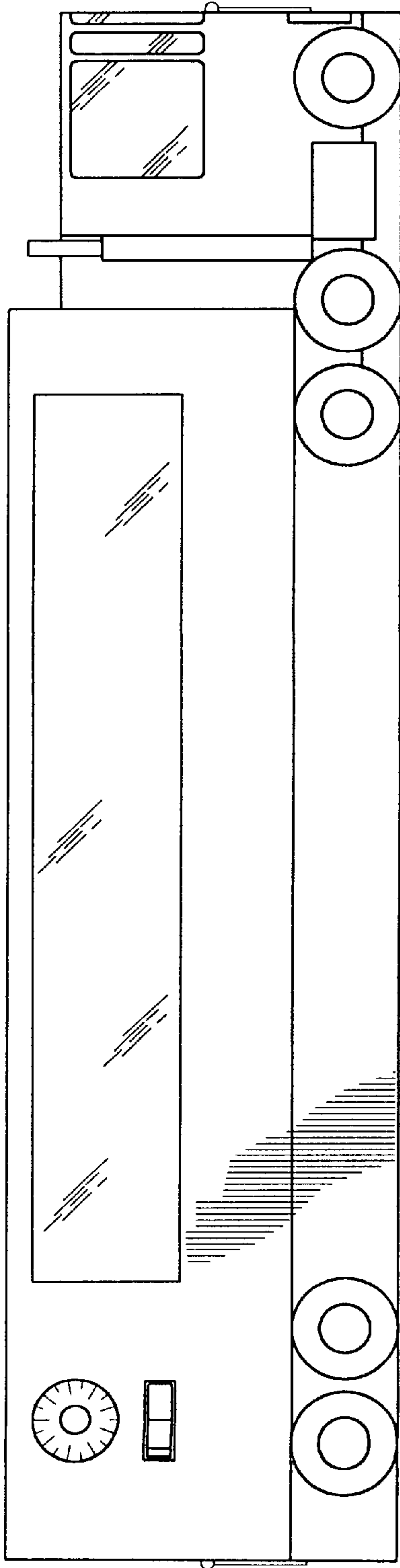
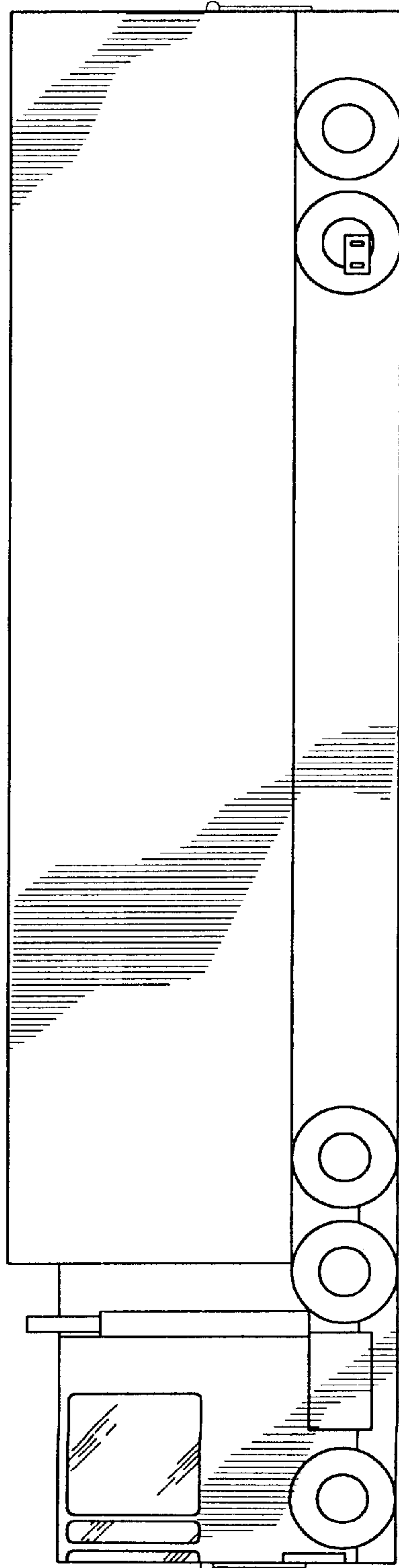


FIG. 2



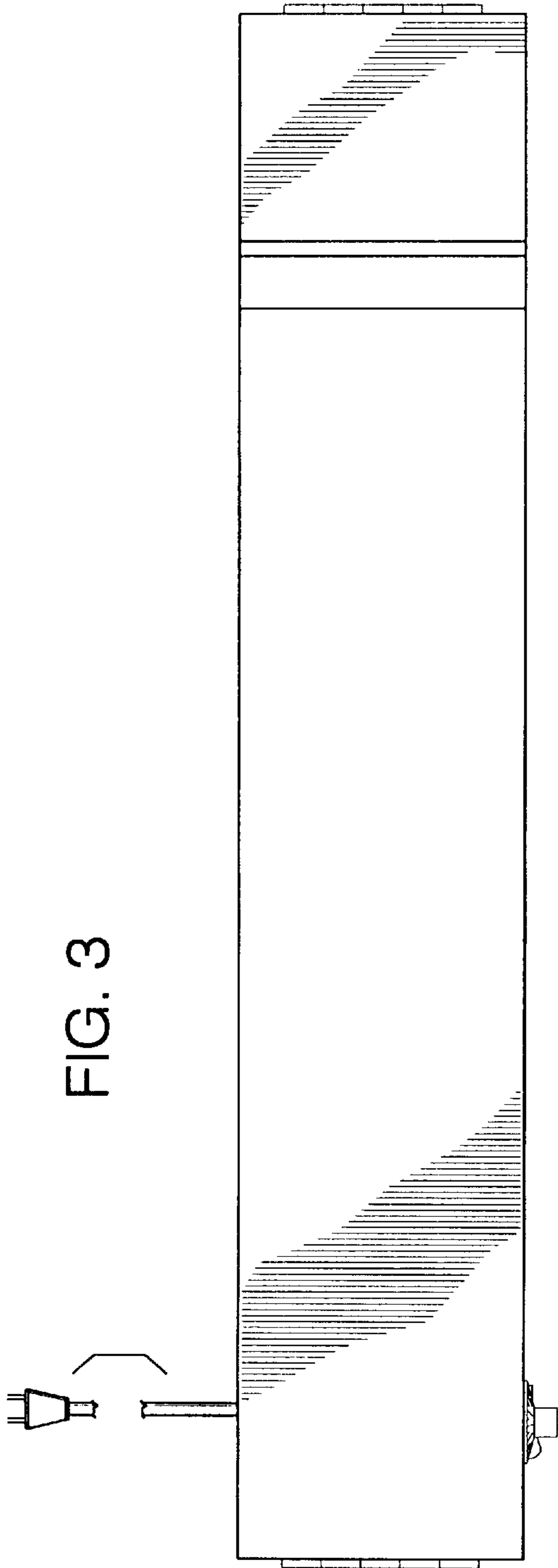


FIG. 3

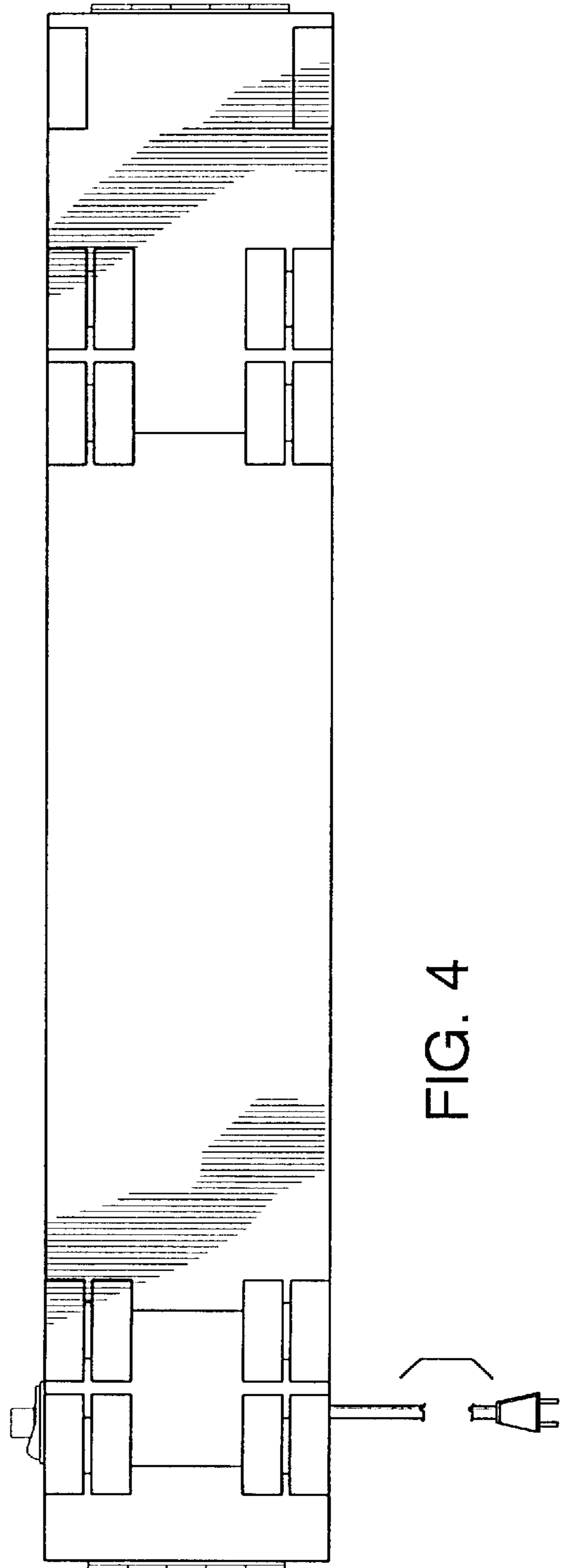


FIG. 4

FIG. 5

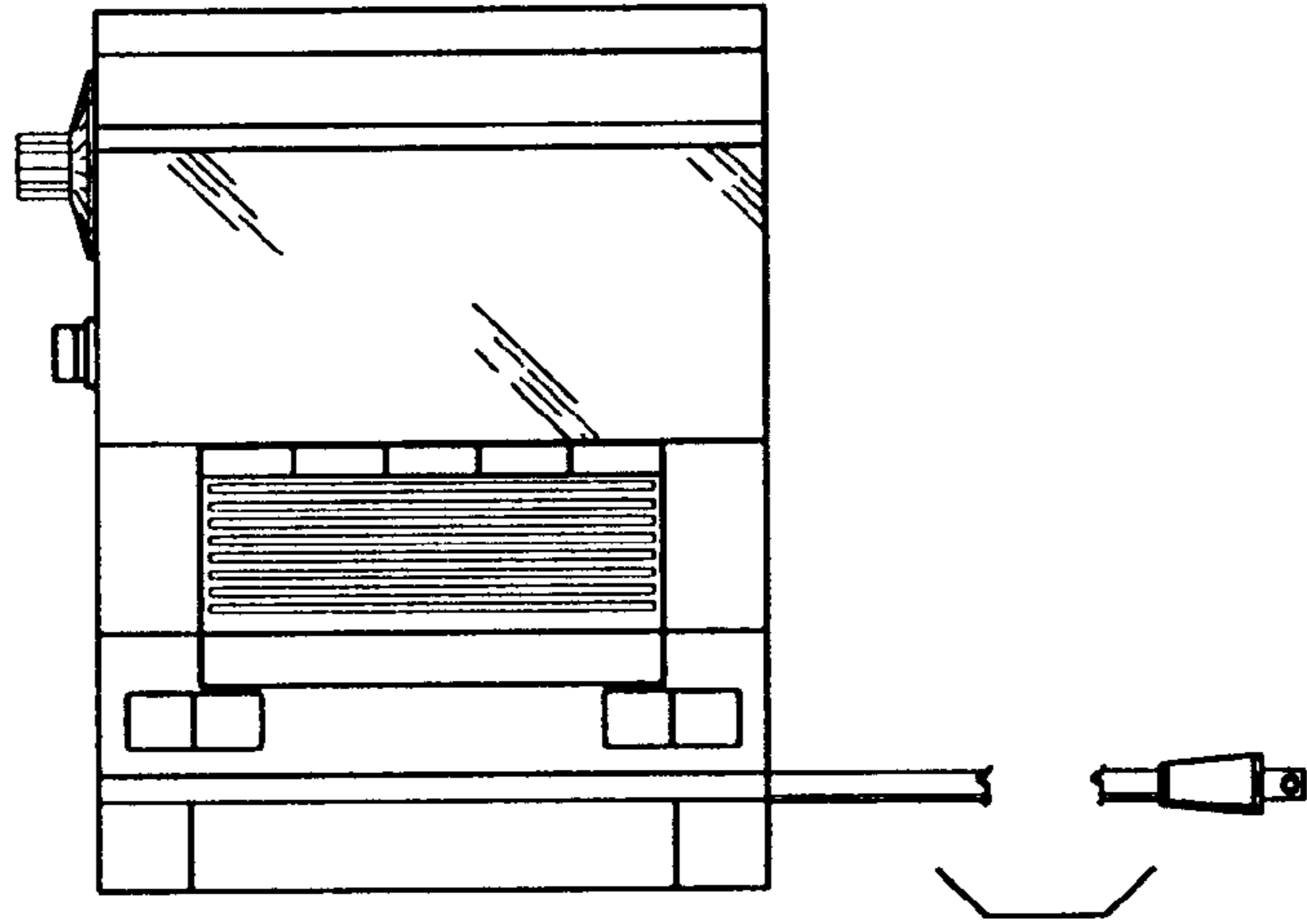


FIG. 6

