



US00D457574S

(12) **United States Design Patent**
Chen

(10) **Patent No.:** **US D457,574 S**

(45) **Date of Patent:** **** May 21, 2002**

(54) **SCOOTER FRAME**

(75) **Inventor:** **Ting-Hsing Chen**, Tainan Hsien (TW)

(73) **Assignee:** **Far Great Plastics Industrial Co., Ltd.**, Tainan Hsien (TW)

(*) **Notice:** This patent is subject to a terminal disclaimer.

(**) **Term:** **14 Years**

(21) **Appl. No.:** **29/134,203**

(22) **Filed:** **Dec. 18, 2000**

(51) **LOC (7) Cl.** **21-01**

(52) **U.S. Cl.** **D21/423**

(58) **Field of Search** D21/419, 421, D21/423, 424, 426, 435, 583, 760, 765, 771; D12/107, 110-112; 280/87.01, 87.021, 87.041, 87.042, 87.05; 180/181, 216

(56) **References Cited**

U.S. PATENT DOCUMENTS

- 1,240,226 A * 9/1917 Kunst D21/423
- 1,274,889 A * 8/1918 Johnson 280/87.042
- D109,820 S * 5/1938 Snell D21/423

- D118,245 S * 12/1939 Rideout D21/423
- D292,221 S * 10/1987 Mueller D21/423
- 4,707,884 A * 11/1987 Chang 280/87.041
- 4,799,702 A * 1/1989 Wang 280/87.041
- D313,633 S * 1/1991 Cummings D21/423
- D420,942 S * 2/2000 Chen D12/111
- 6,158,751 A * 12/2000 Wu 280/87.05
- 6,168,175 B1 * 1/2001 Lan 280/87.041

* cited by examiner

Primary Examiner—Raphael Barkai

(74) *Attorney, Agent, or Firm*—Rosenberg, Klein & Lee

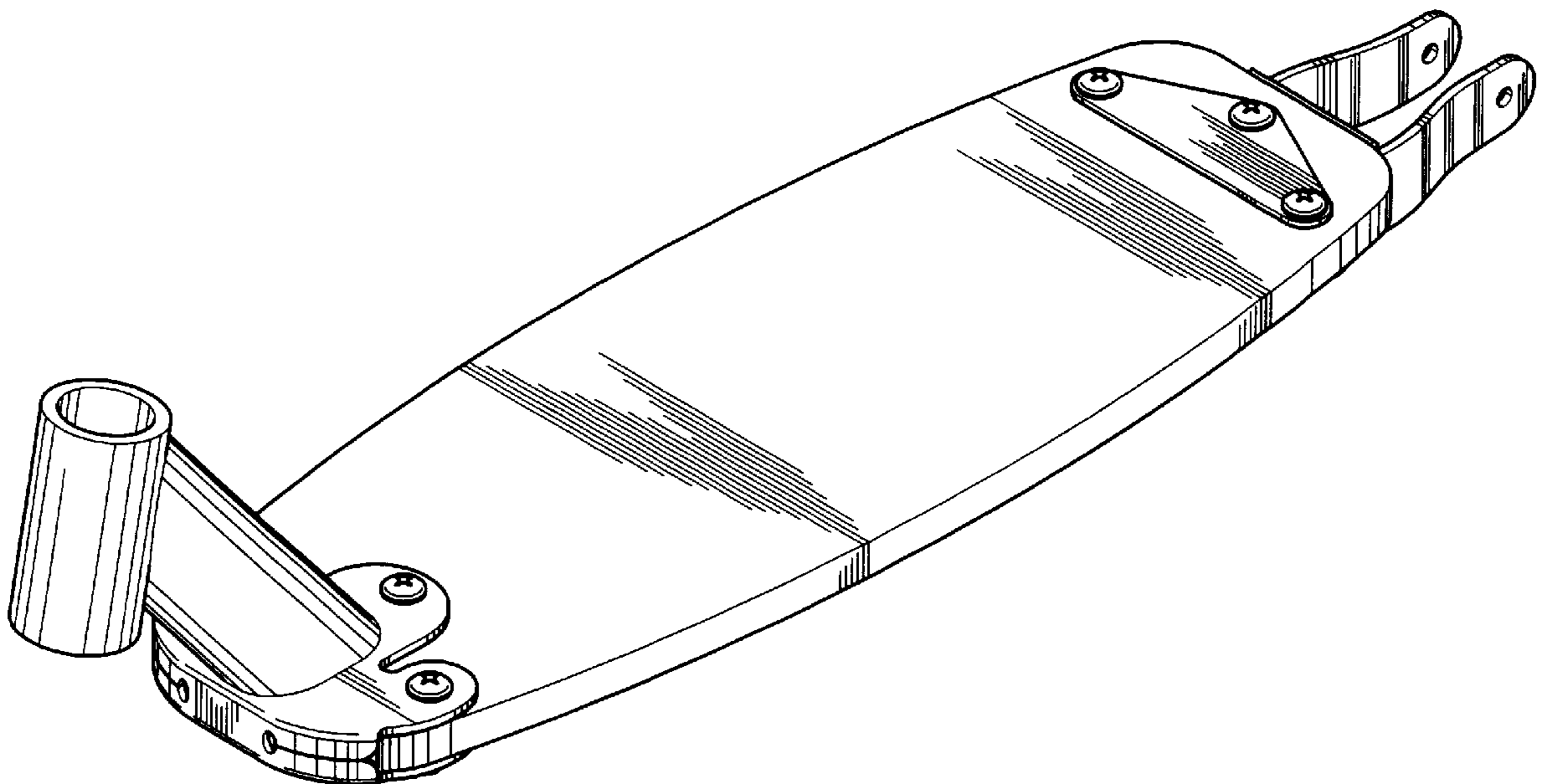
(57) **CLAIM**

The ornamental design for a scooter frame, as shown and described.

DESCRIPTION

FIG. 1 is a perspective view of a scooter frame showing my present design;
 FIG. 2 is a front view thereof;
 FIG. 3 is a rear view thereof;
 FIG. 4 is a left view thereof;
 FIG. 5 is a right view thereof;
 FIG. 6 is a top plan view thereof; and,
 FIG. 7 is a bottom plan view.

1 Claim, 7 Drawing Sheets



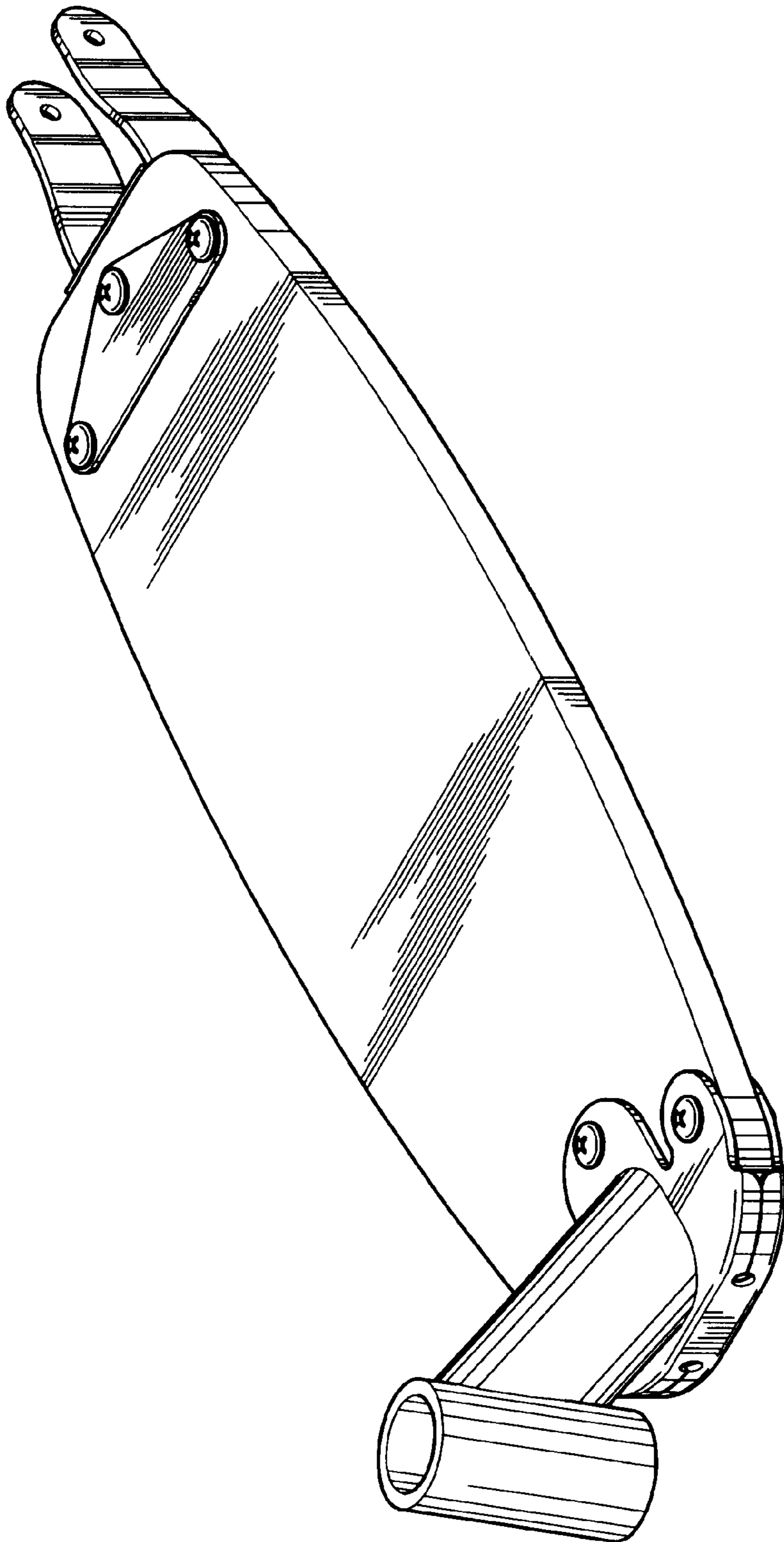


FIG. 1

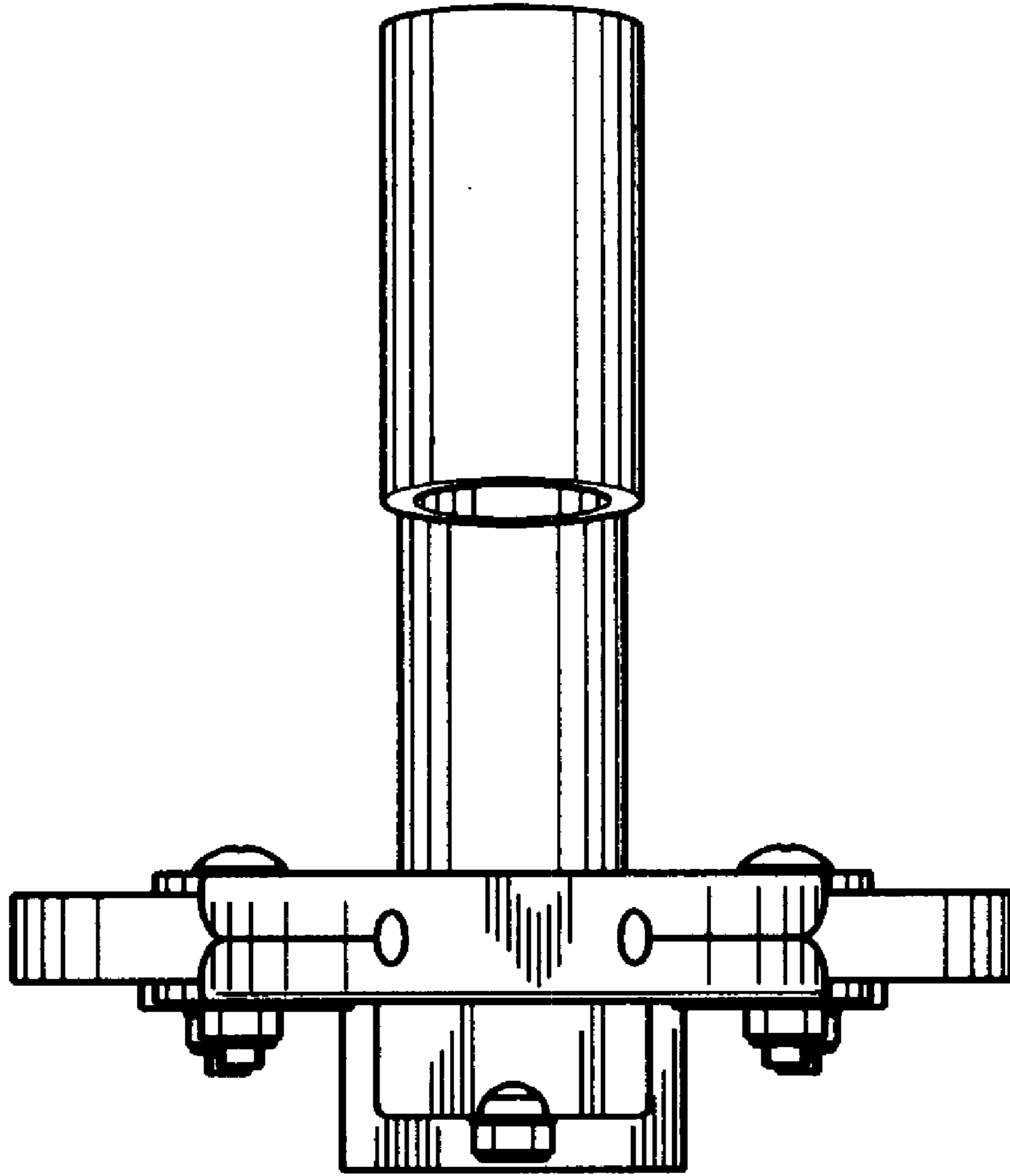


FIG. 2

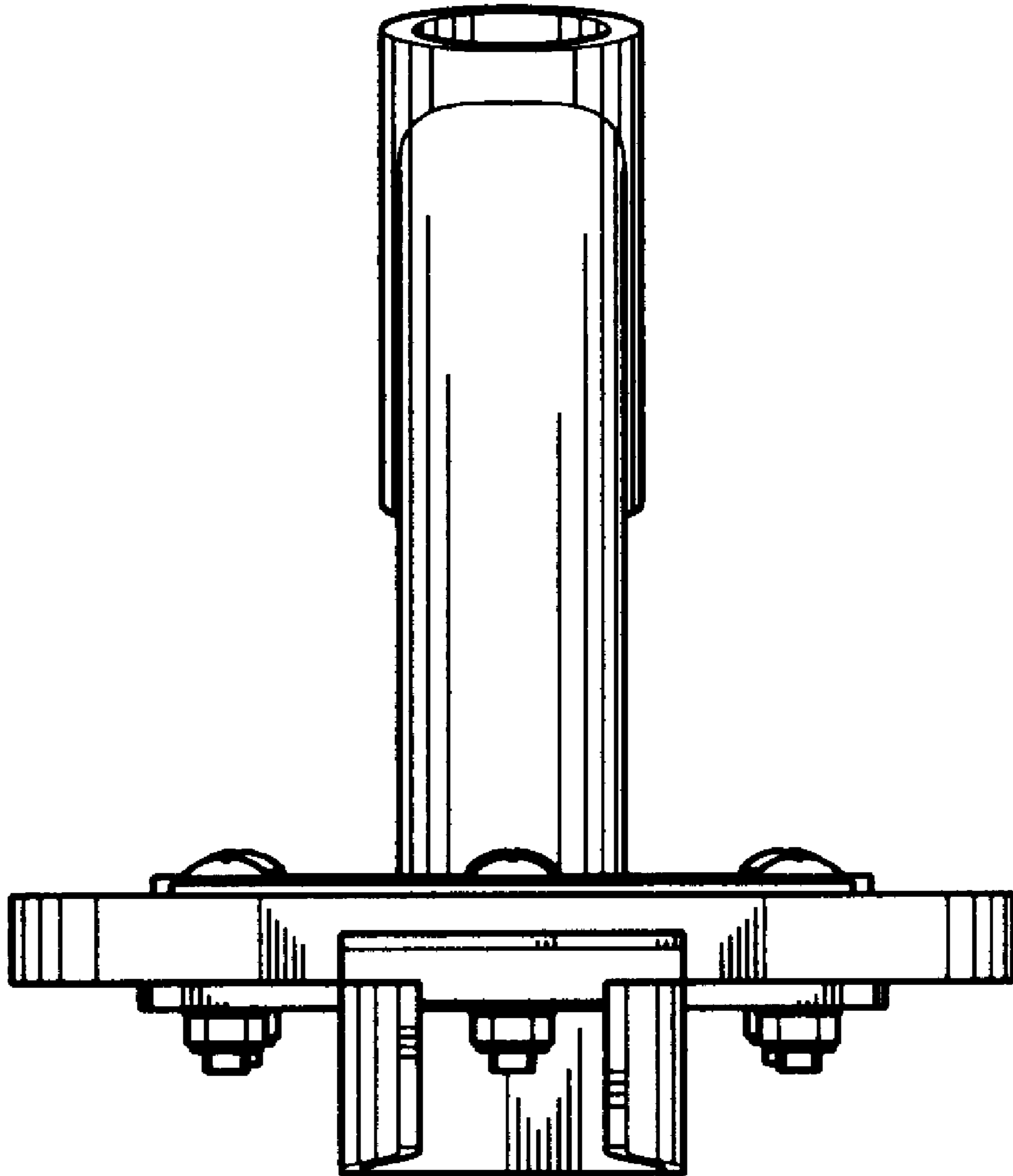


FIG. 3

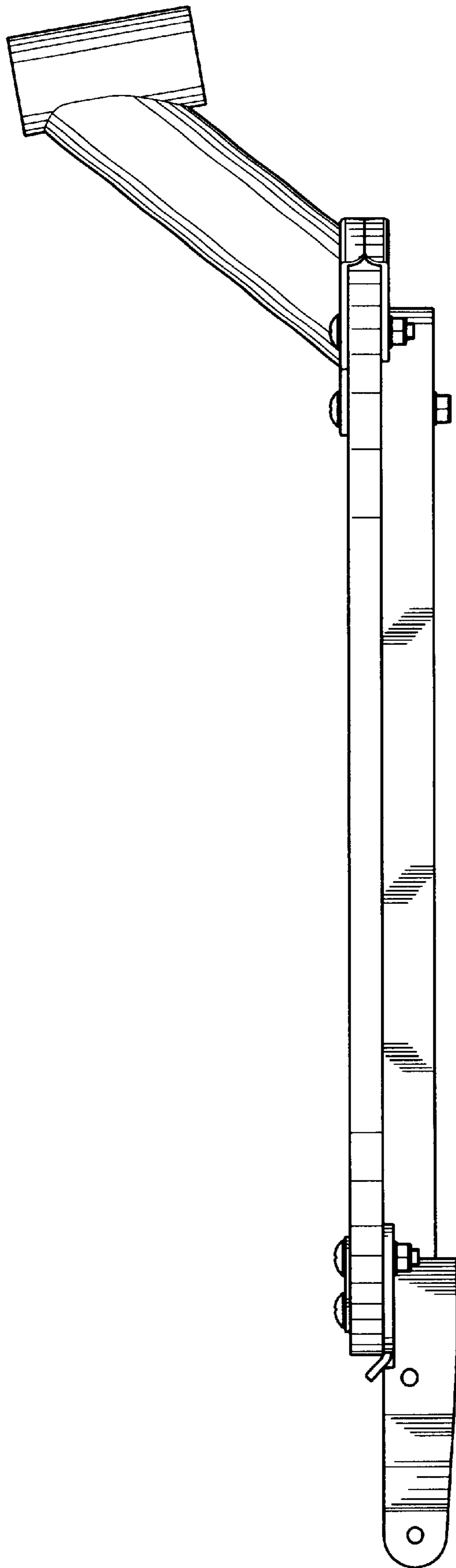


FIG. 4

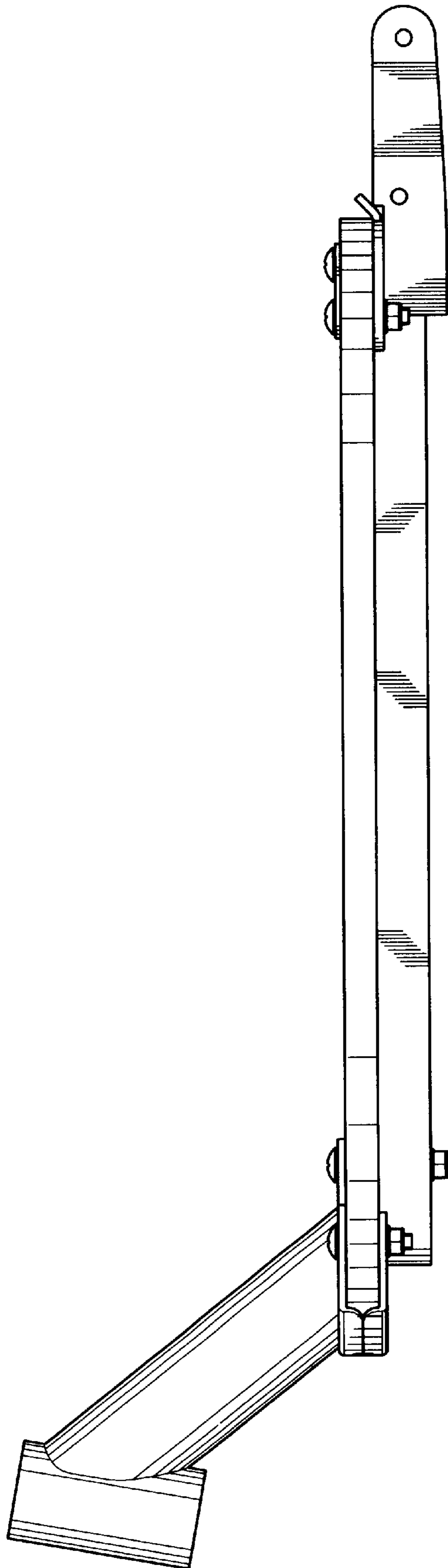


FIG. 5

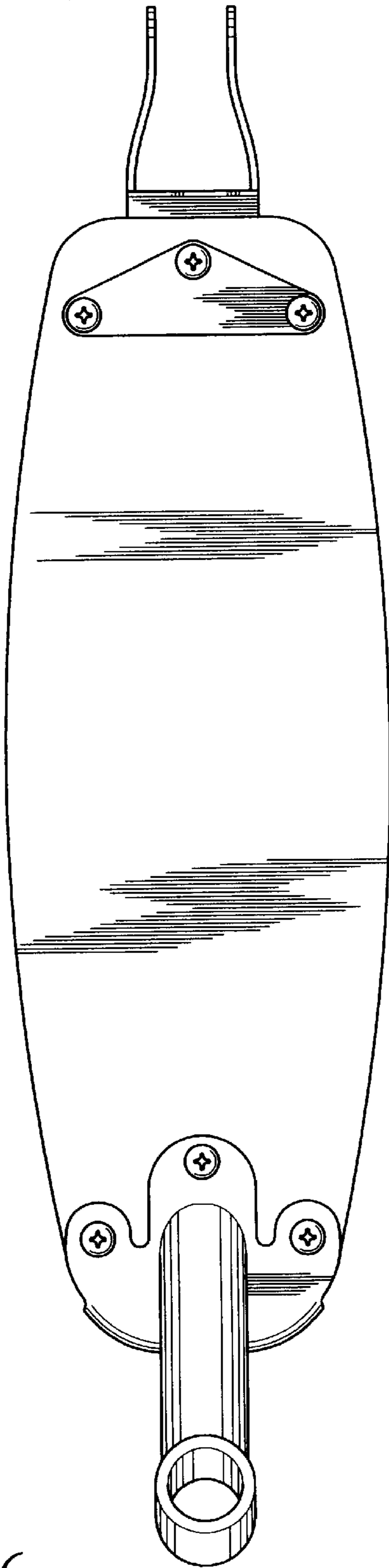


FIG. 6

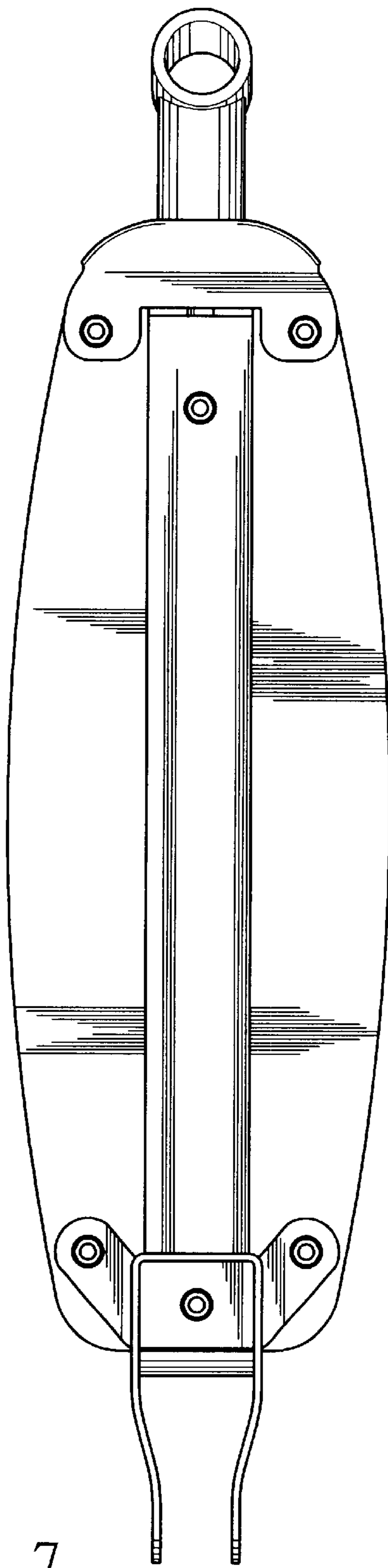


FIG. 7