



US00D457573S

(12) **United States Design Patent**
Chan

(10) **Patent No.:** **US D457,573 S**

(45) **Date of Patent:** **** May 21, 2002**

(54) **TOY GUITAR**

(75) Inventor: **Ho Man Herman Chan, Tsing Yi (CN)**

(73) Assignee: **Potex Toys Manufacturer Ltd., Kwai Chung (CN)**

(**) Term: **14 Years**

(21) Appl. No.: **29/133,492**

(22) Filed: **Nov. 30, 2000**

(30) **Foreign Application Priority Data**

Jun. 5, 2000 (HK) 0010707

(51) **LOC (7) Cl.** **21-01**

(52) **U.S. Cl.** **D21/405; D17/14**

(58) **Field of Search** D17/14, 15, 18-20;
D21/405; 84/267, 291, 293; 446/408

(56) **References Cited**

U.S. PATENT DOCUMENTS

4,890,529 A * 1/1990 Grant 84/291

D339,150 S * 9/1993 Robertson D17/14
D427,244 S * 6/2000 Muraki et al. D17/14
D442,232 S * 5/2001 Lee et al. D21/405

* cited by examiner

Primary Examiner—Adir Aronovich

(74) *Attorney, Agent, or Firm*—Alix, Yale & Ristas, LLP

(57) **CLAIM**

The ornamental design for a toy guitar, as shown and described.

DESCRIPTION

FIG. 1 is a front perspective view of the toy guitar showing my new design;

FIG. 2 is a front view of the toy guitar of FIG. 1;

FIG. 3 is a rear view of the toy guitar of FIG. 1;

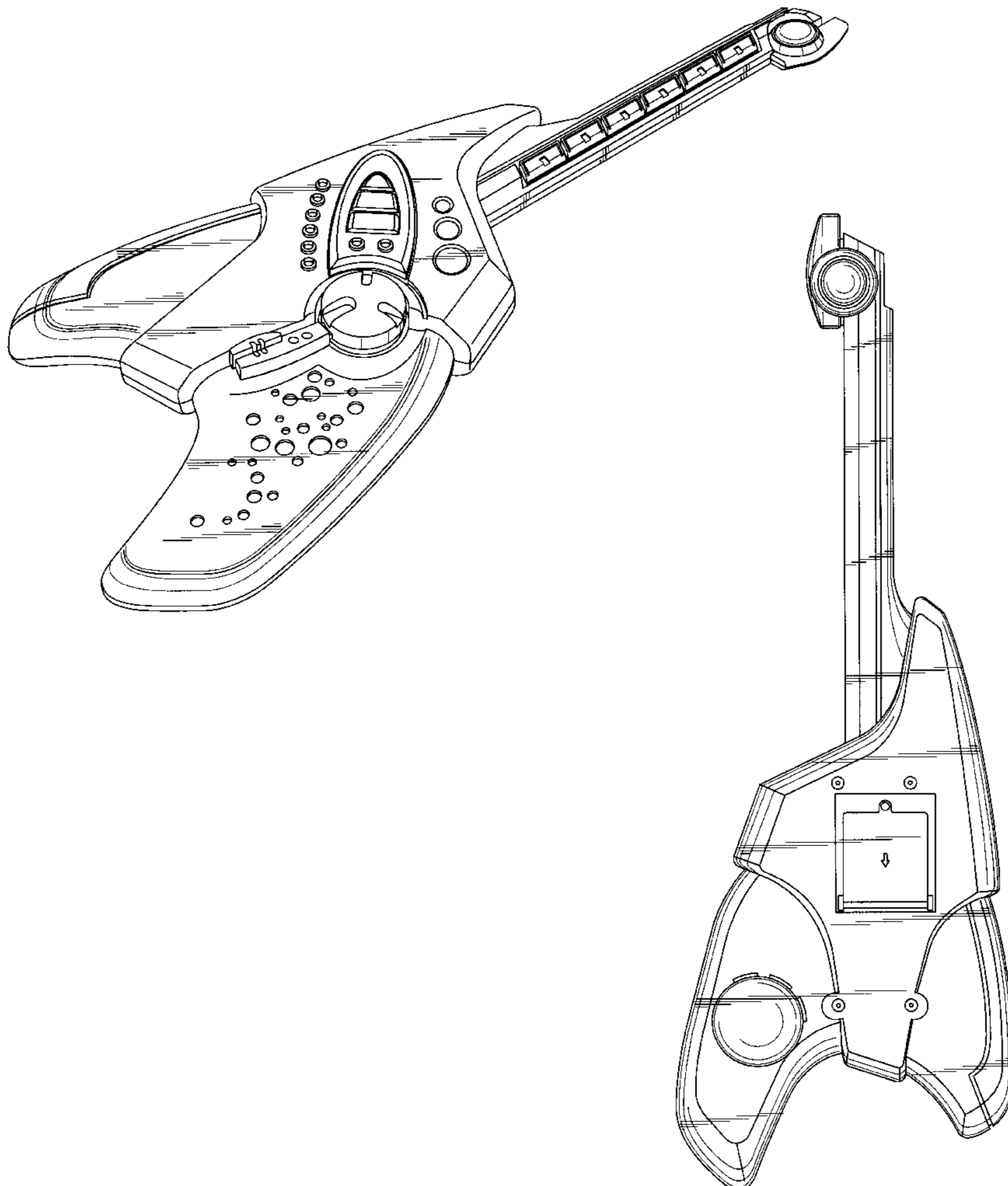
FIG. 4 is a left side view of the toy guitar of FIG. 1;

FIG. 5 is a right side view of the toy guitar of FIG. 1;

FIG. 6 is a top plan view of the toy guitar of FIG. 1; and,

FIG. 7 is a bottom plan view of the toy guitar of FIG. 1.

1 Claim, 5 Drawing Sheets



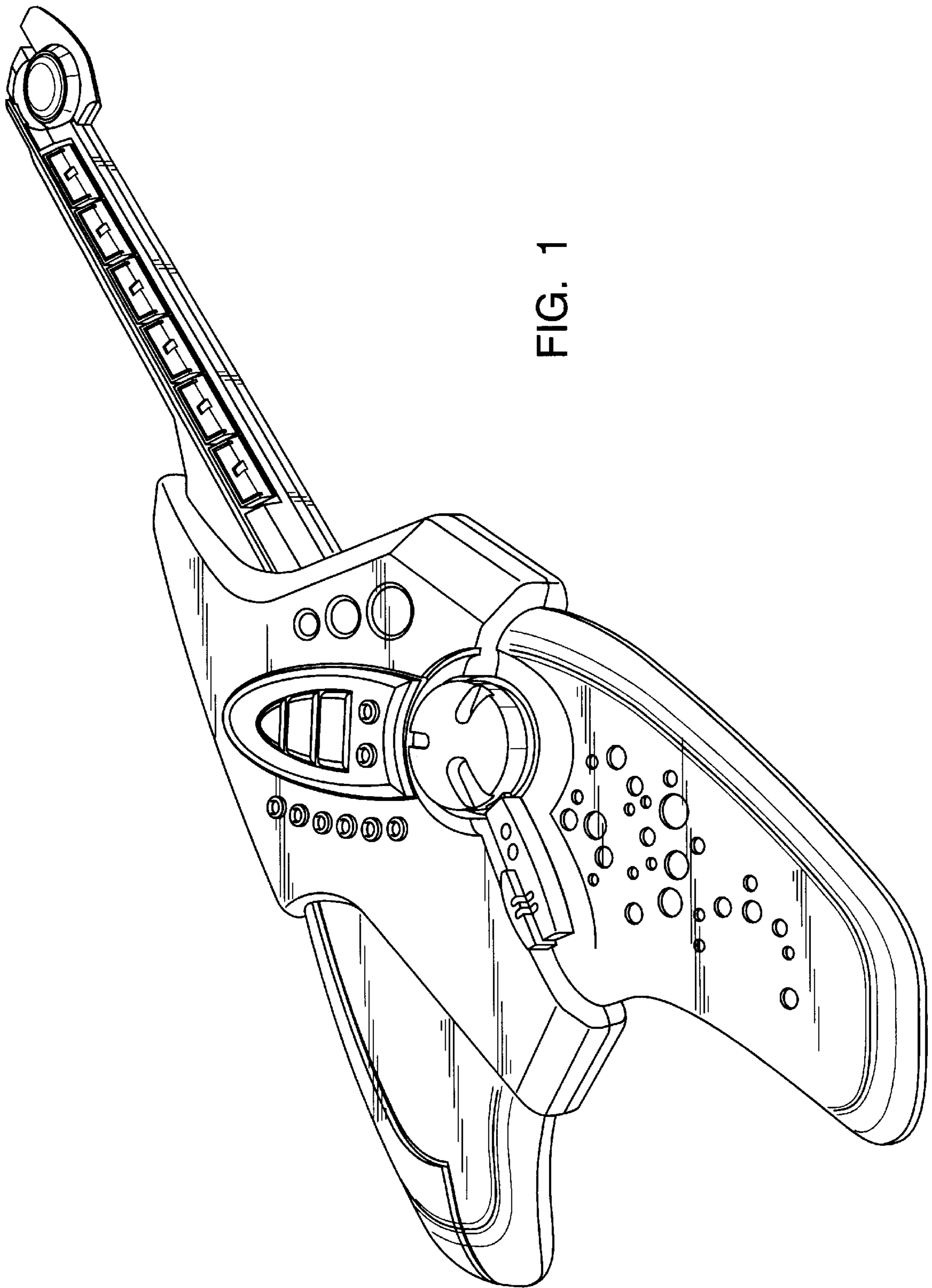


FIG. 1

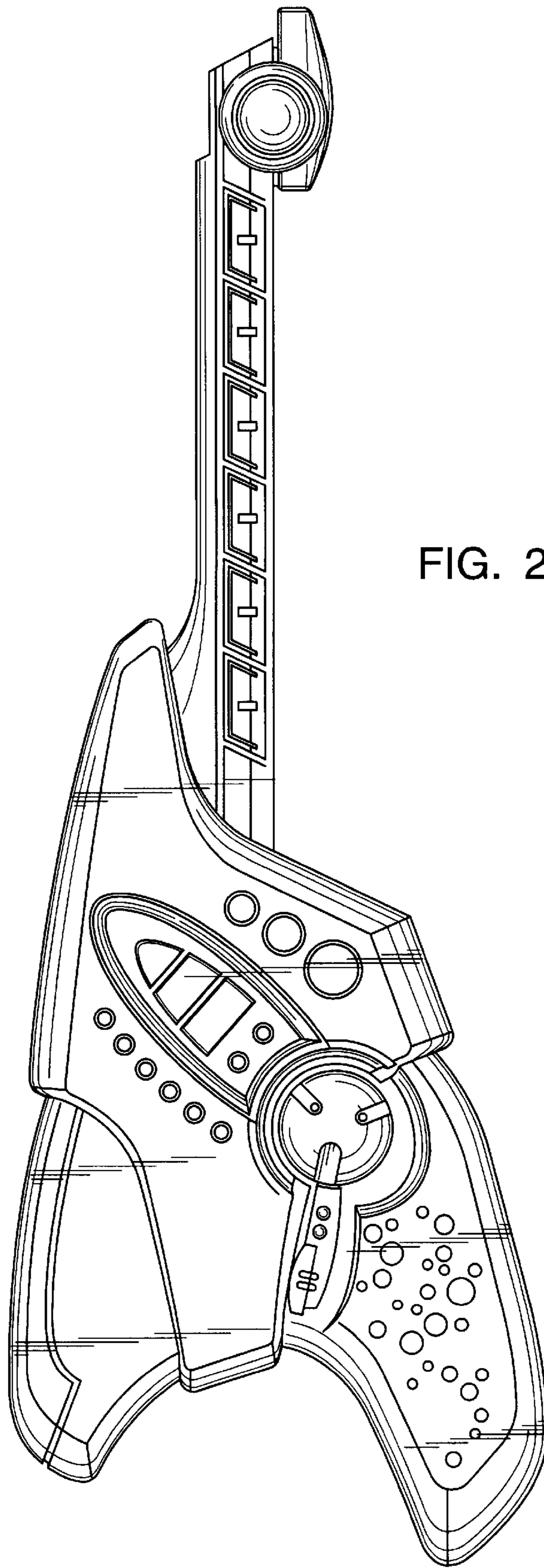


FIG. 2

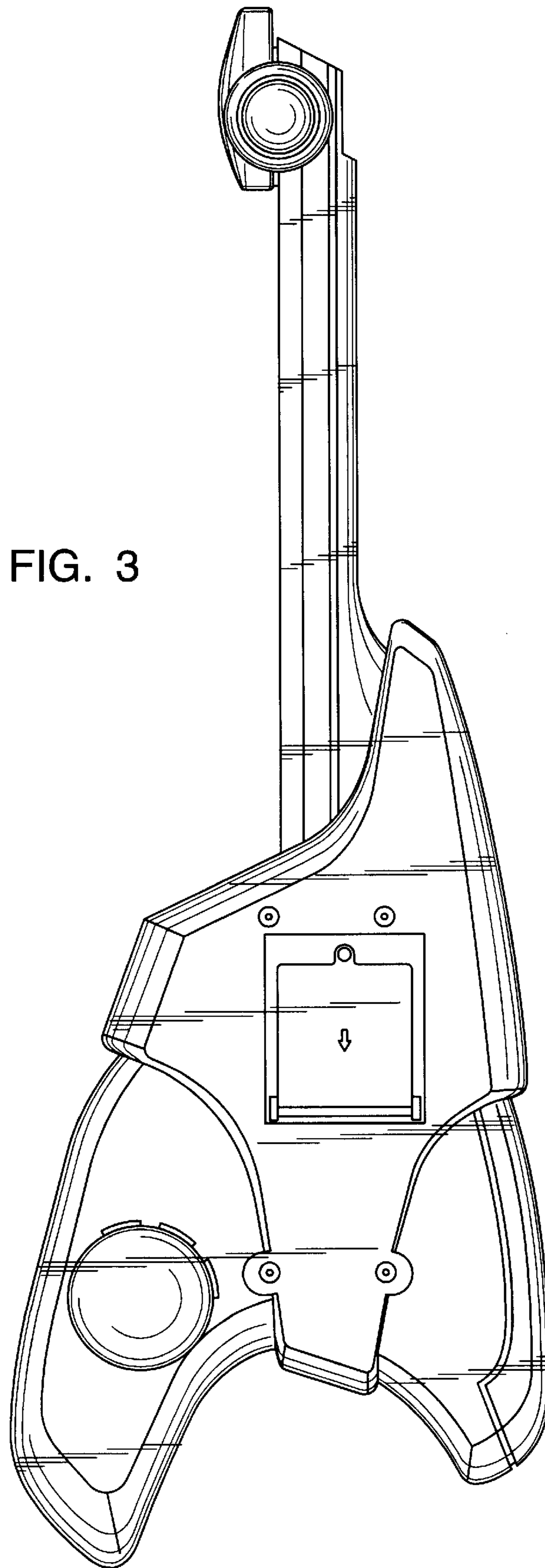


FIG. 4

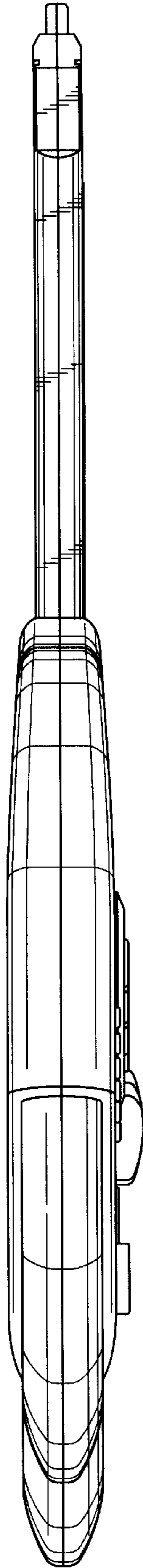
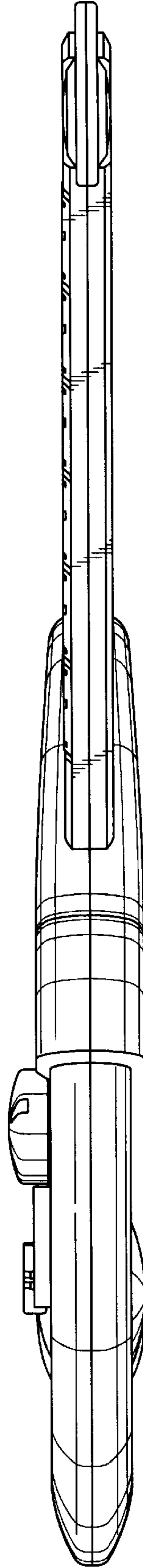


FIG. 5



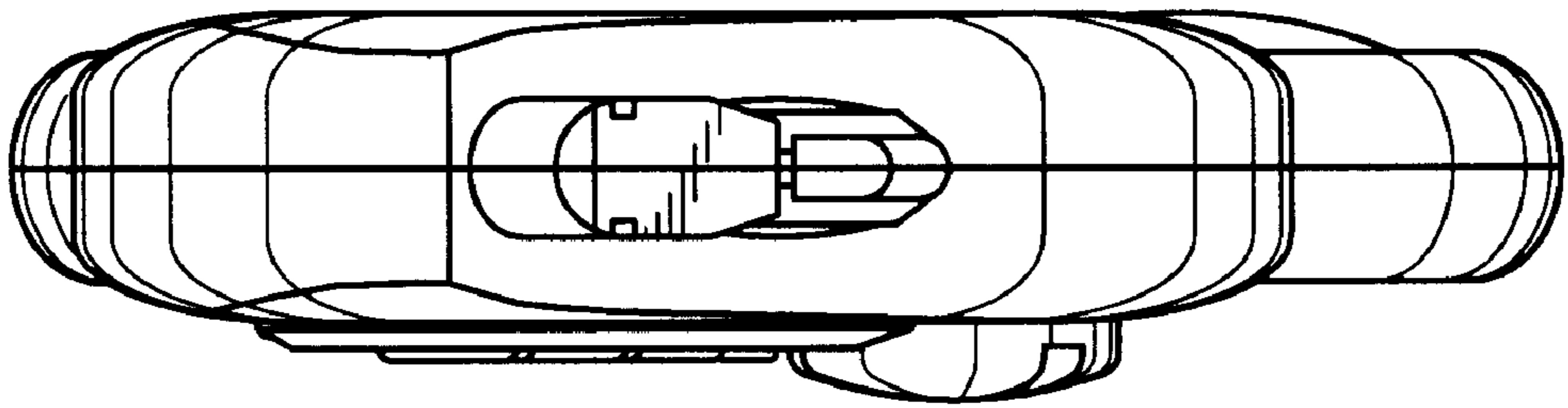


FIG. 6

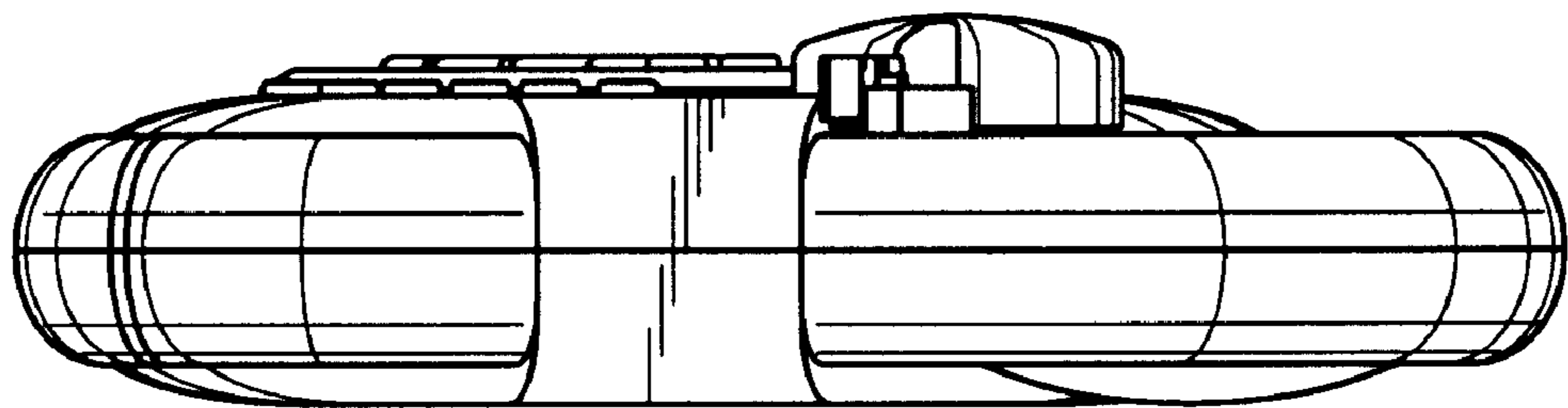


FIG. 7