



US00D457570S

(12) **United States Design Patent**
Brinson

(10) **Patent No.:** **US D457,570 S**

(45) **Date of Patent:** **** May 21, 2002**

(54) **GAME MACHINE**

D428,446 S * 7/2000 Thomas D21/325

(76) Inventor: **Travis Brinson**, P.O. Box 462043, Los Angeles, CA (US) 90057

* cited by examiner

(**) Term: **14 Years**

Primary Examiner—Prabhakar Deshmukh
(74) *Attorney, Agent, or Firm*—Christie, Parker & Hale, LLP

(21) Appl. No.: **29/142,777**

(57) **CLAIM**

(22) Filed: **Jun. 1, 2001**

The ornamental design for the game machine, as shown and described.

(51) **LOC (7) Cl.** **21-01**

(52) **U.S. Cl.** **D21/325**

(58) **Field of Search** D21/324–327,
D21/333, 369; 463/1, 16–23, 30–35, 46–51;
273/440, 459

DESCRIPTION

(56) **References Cited**

U.S. PATENT DOCUMENTS

- 4,643,421 A * 2/1987 Meyer et al. 463/1
- D311,428 S * 10/1990 Sears D21/325
- 5,413,357 A * 5/1995 Schulze et al. 463/23
- 5,584,763 A * 12/1996 Kelly et al. 463/16
- D411,582 S * 6/1999 Muraki et al. D21/325
- D412,018 S * 7/1999 Hoopes D21/369

FIG. 1 is a perspective view of a game machine according to my new design;

FIG. 2 is a front elevational view thereof;

FIG. 3 is a side elevational view thereof, taken from the right side of FIG. 2;

FIG. 4 is a back elevational view thereof; and,

FIG. 5 is a top view thereof.

The broken line showing of supports is for illustrative purpose only and forms no part of the claimed design.

1 Claim, 5 Drawing Sheets

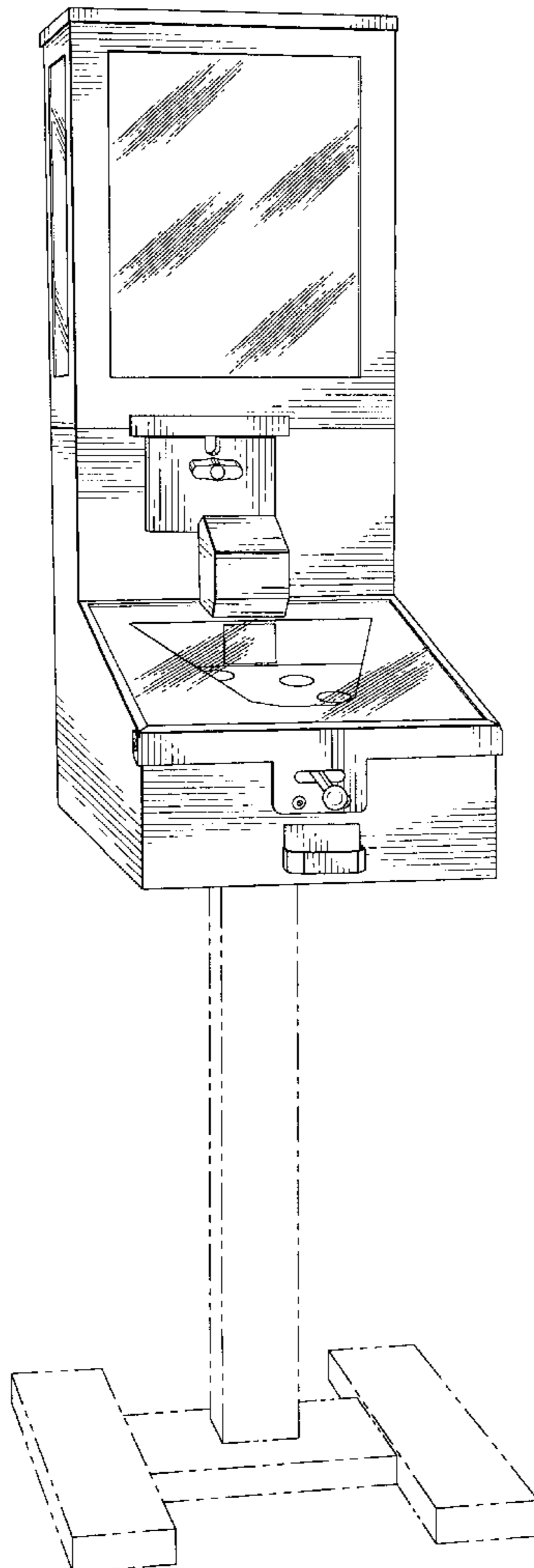


FIG. 1

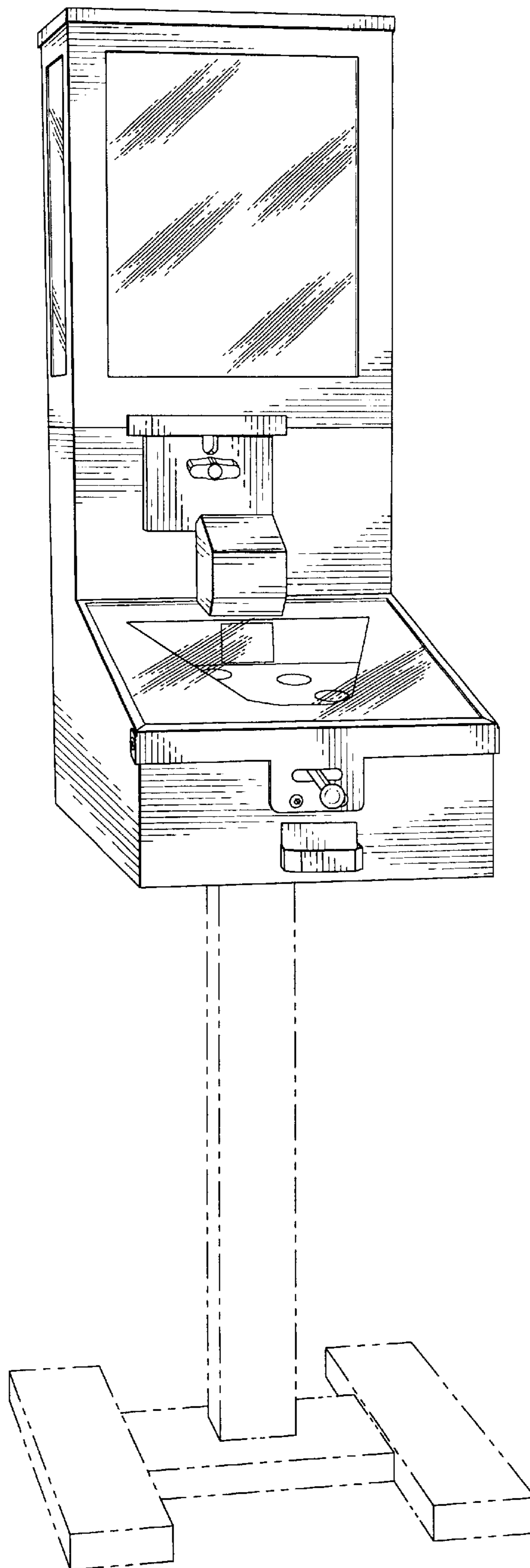


FIG. 2

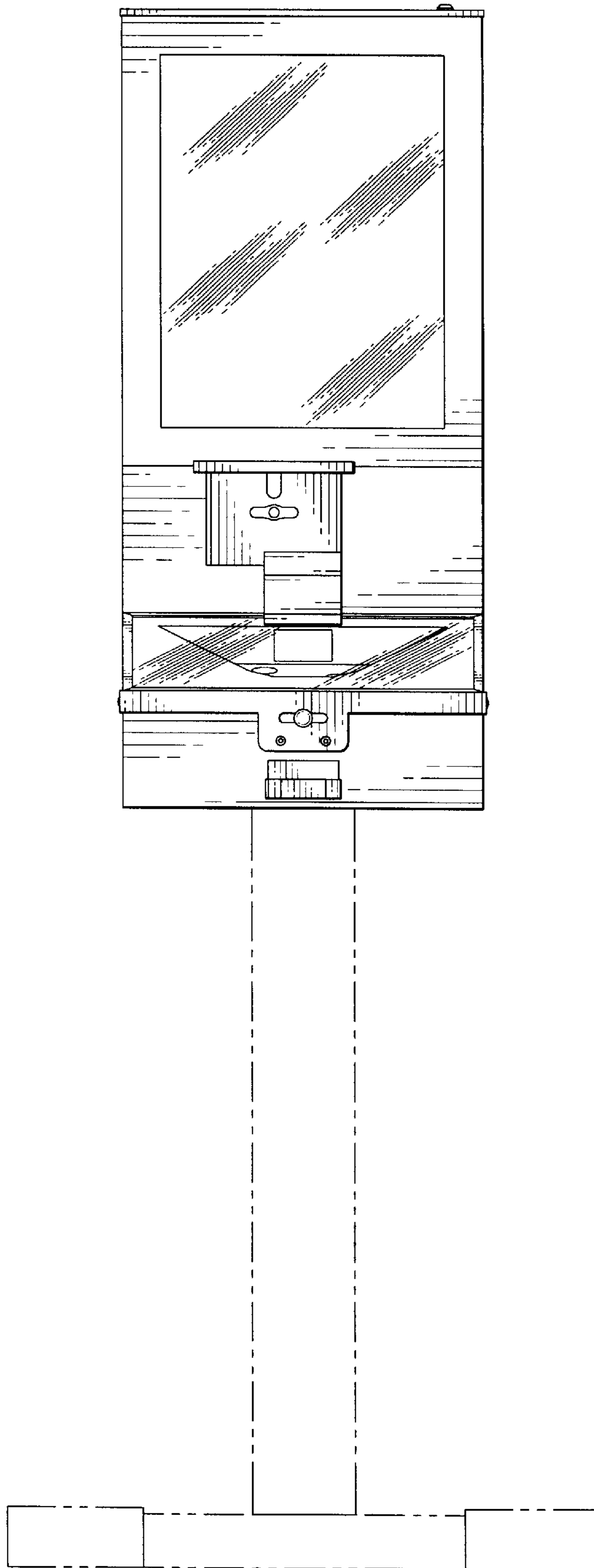


FIG. 3

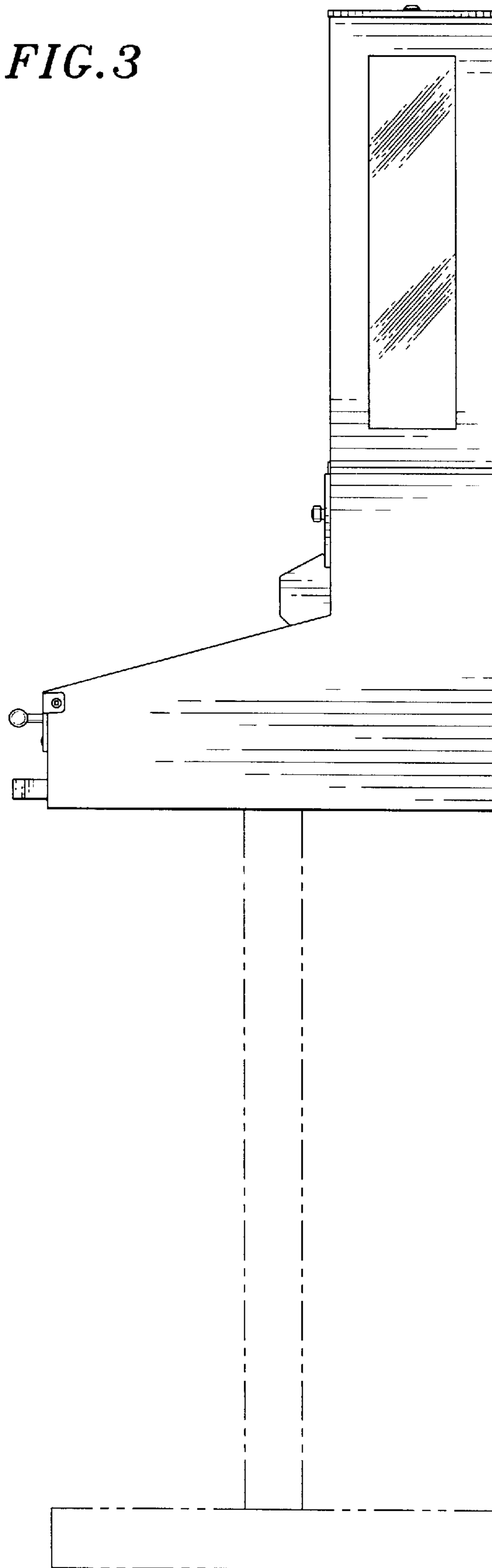


FIG. 4

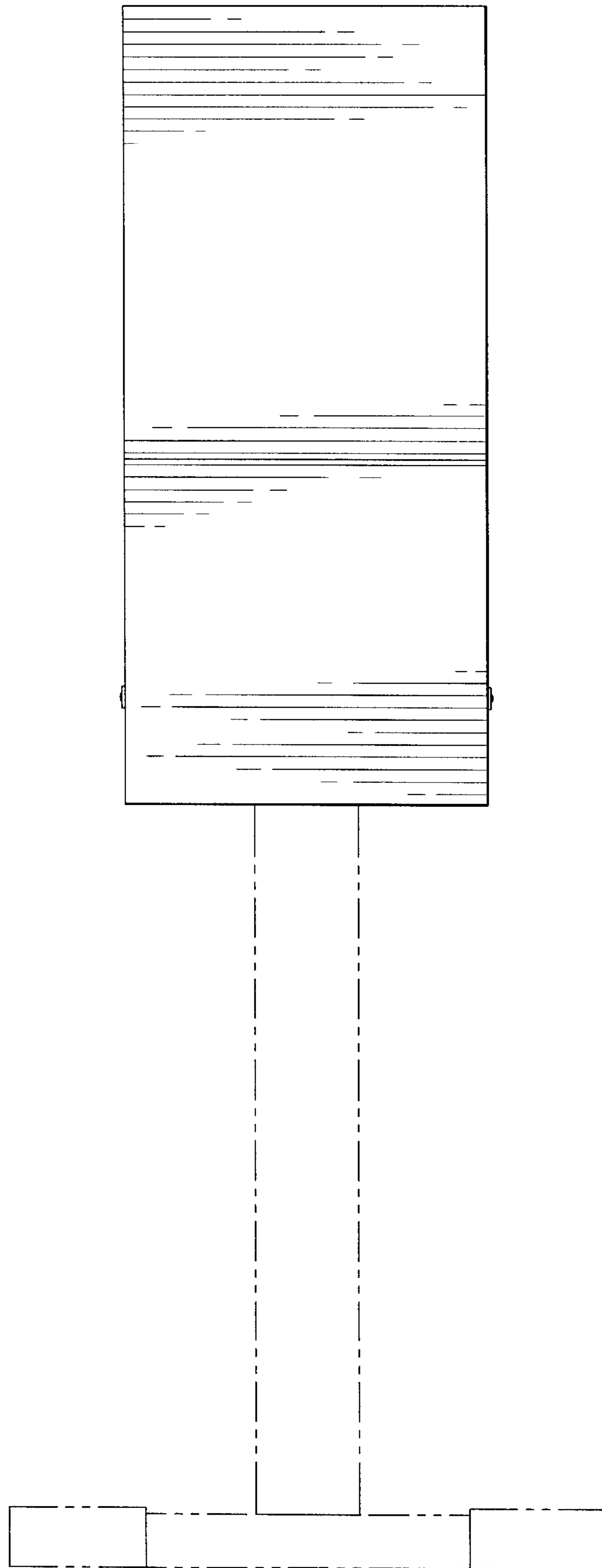


FIG. 5

