



US00D457566S

(12) **United States Design Patent**  
**Slater et al.**

(10) **Patent No.:** **US D457,566 S**

(45) **Date of Patent:** **\*\* May 21, 2002**

(54) **DESK ORGANIZER**

(75) Inventors: **Owen Slater**, Chicago, IL (US); **Jill Hunt**, Lakewood, OH (US); **Daniel Luchay**; **John Van Akkeren**, both of Chicago, IL (US)

(73) Assignee: **Thermos L.L.C.**, Schaumburg, IL (US)

(\*\*) Term: **14 Years**

(21) Appl. No.: **29/144,770**

(22) Filed: **Jul. 10, 2001**

(51) **LOC (7) Cl.** ..... **19-06**

(52) **U.S. Cl.** ..... **D19/77; D19/78; D19/85**

(58) **Field of Search** ..... D19/35, 36, 65,  
D19/75, 77, 78, 79, 81-85, 86, 92, 93,  
95, 99, 100; 206/214, 224, 371; 211/10,  
11, 13.1, 69.1-69.9, 163, 126.1, 126.13,  
126.14

(56) **References Cited**

**U.S. PATENT DOCUMENTS**

- D119,890 S \* 4/1940 Marcantonio ..... D19/77
- 2,583,567 A \* 1/1952 Hanson ..... D19/78 X
- D173,818 S \* 1/1955 Rogers ..... D19/77
- D175,000 S \* 6/1955 Stone ..... D19/77
- D266,435 S \* 10/1982 Laughlin ..... D19/75

- 4,384,647 A \* 5/1983 Schweizer ..... 206/371
- D317,461 S \* 6/1991 Willie ..... D19/75
- D332,968 S \* 2/1993 Peersmann ..... D19/95 X
- D333,841 S \* 3/1993 Henrickson ..... D19/78
- D342,095 S \* 12/1993 Peersmann ..... D19/86 X
- D432,577 S \* 10/2000 Yeh ..... D19/77

\* cited by examiner

*Primary Examiner*—Martie K. Holtje

(74) *Attorney, Agent, or Firm*—Wood, Phillips, VanSanten, Clark & Mortimer

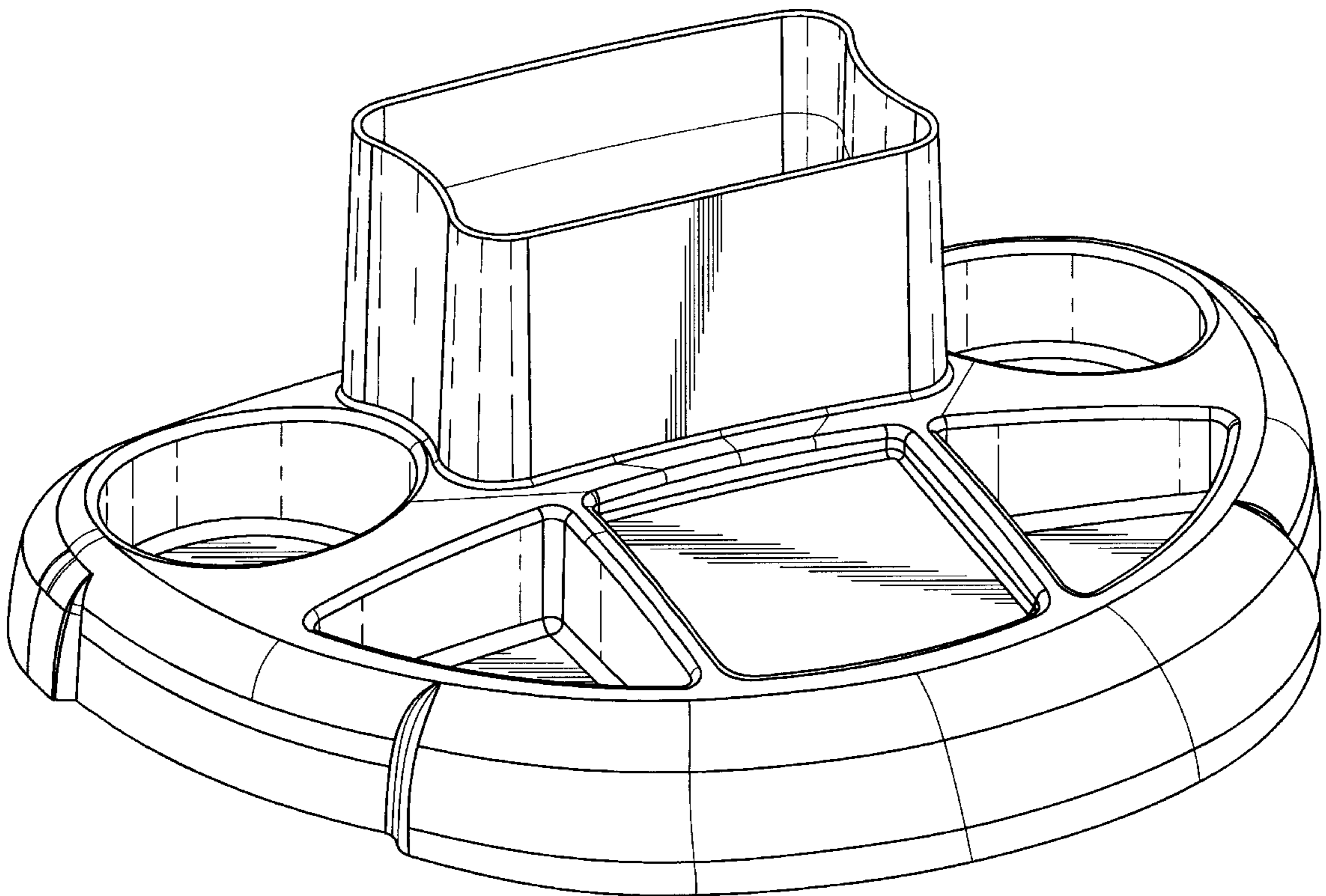
(57) **CLAIM**

The ornamental design for a desk organizer, as shown and described.

**DESCRIPTION**

FIG. 1 is a perspective view of our desk organizer as seen from the front and the left thereof;  
 FIG. 2 is a top plan view of our desk organizer;  
 FIG. 3 is a front elevation of our desk organizer;  
 FIG. 4 is a left side elevation of our desk organizer, it being is a mere understood that the right side elevation of our desk organizer is a mere image of this figure; and,  
 FIG. 5 is a rear elevation of our desk organizer.  
 The bottom of our desk organizer is plain and unornamented.

**1 Claim, 3 Drawing Sheets**



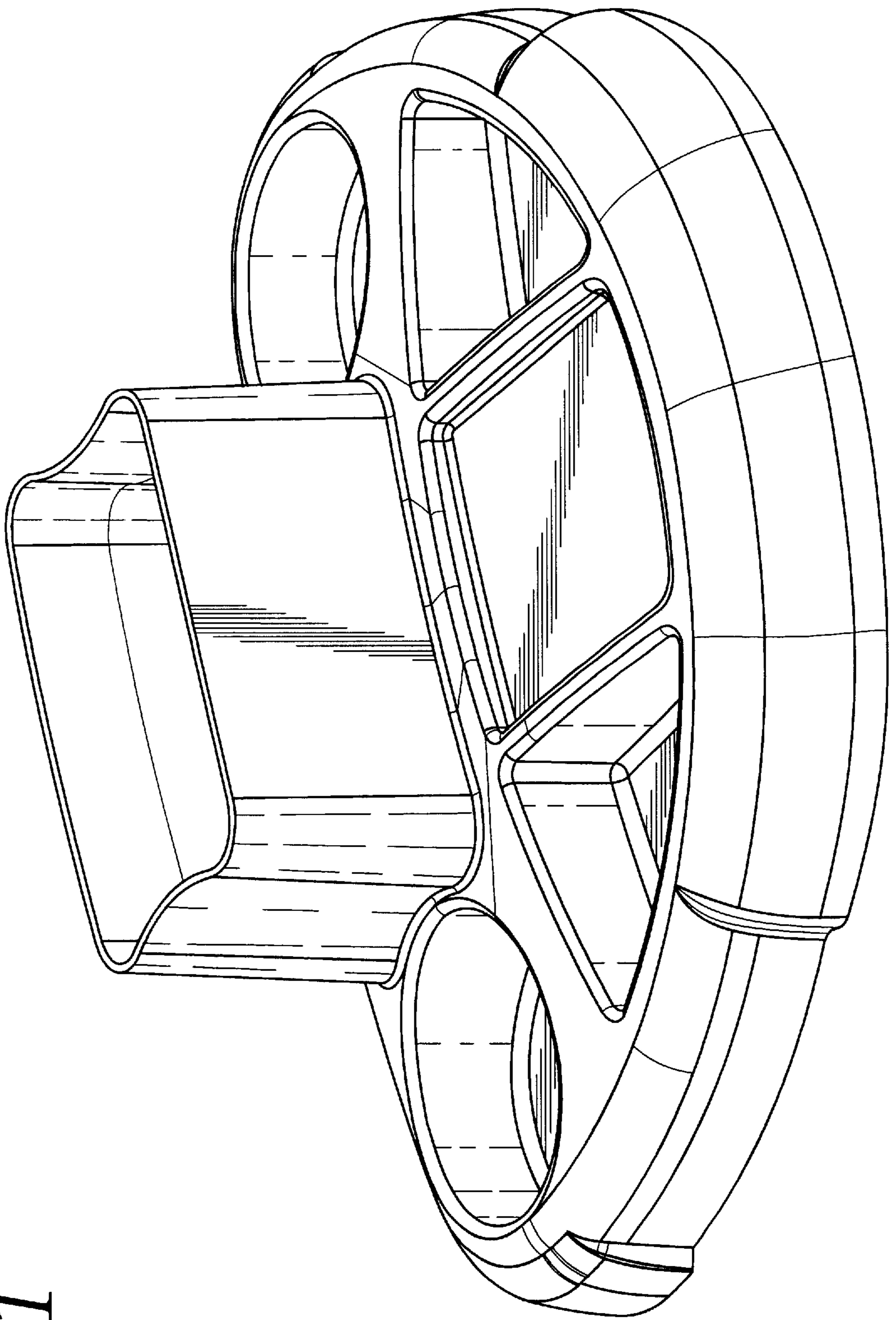
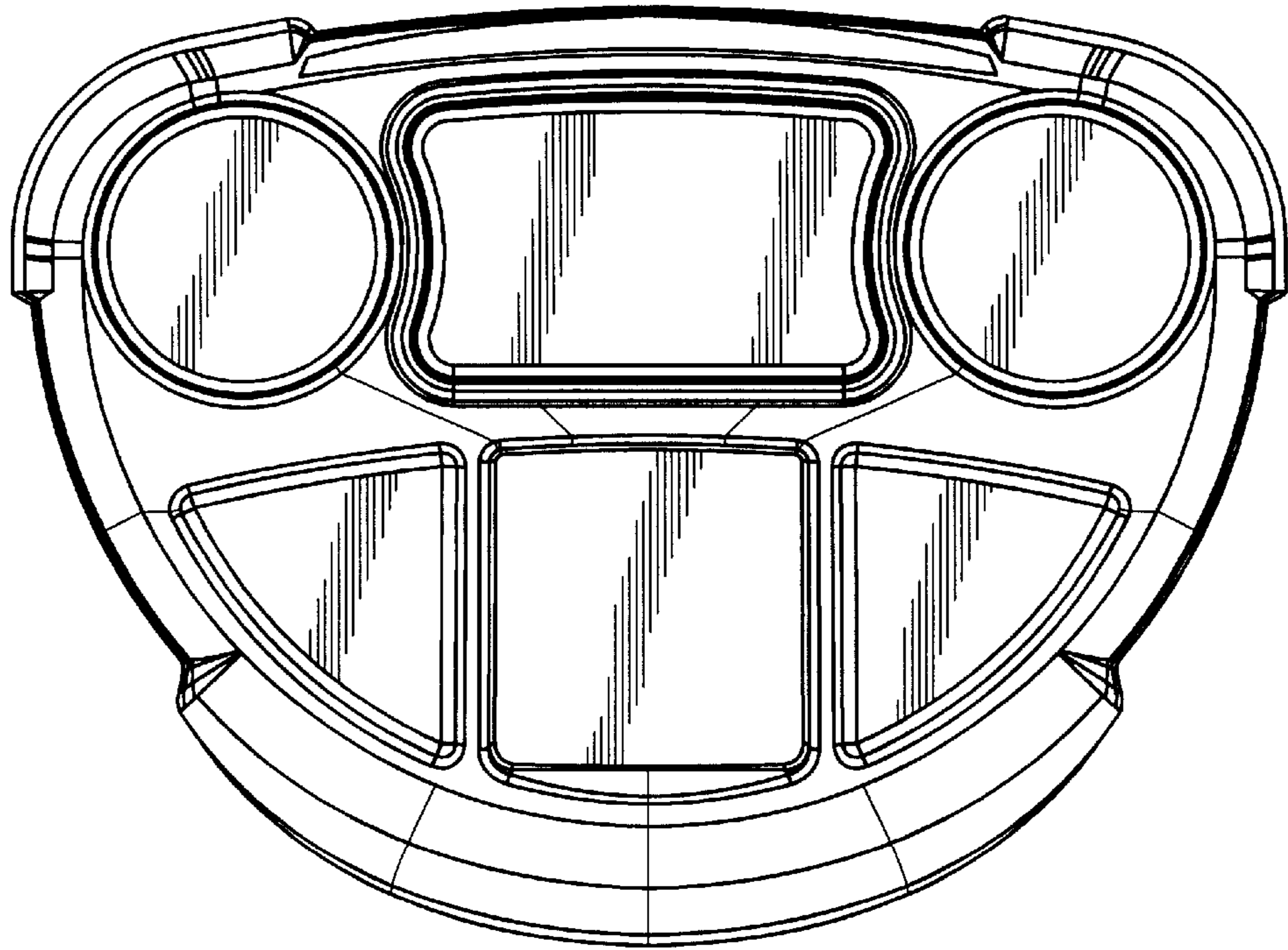
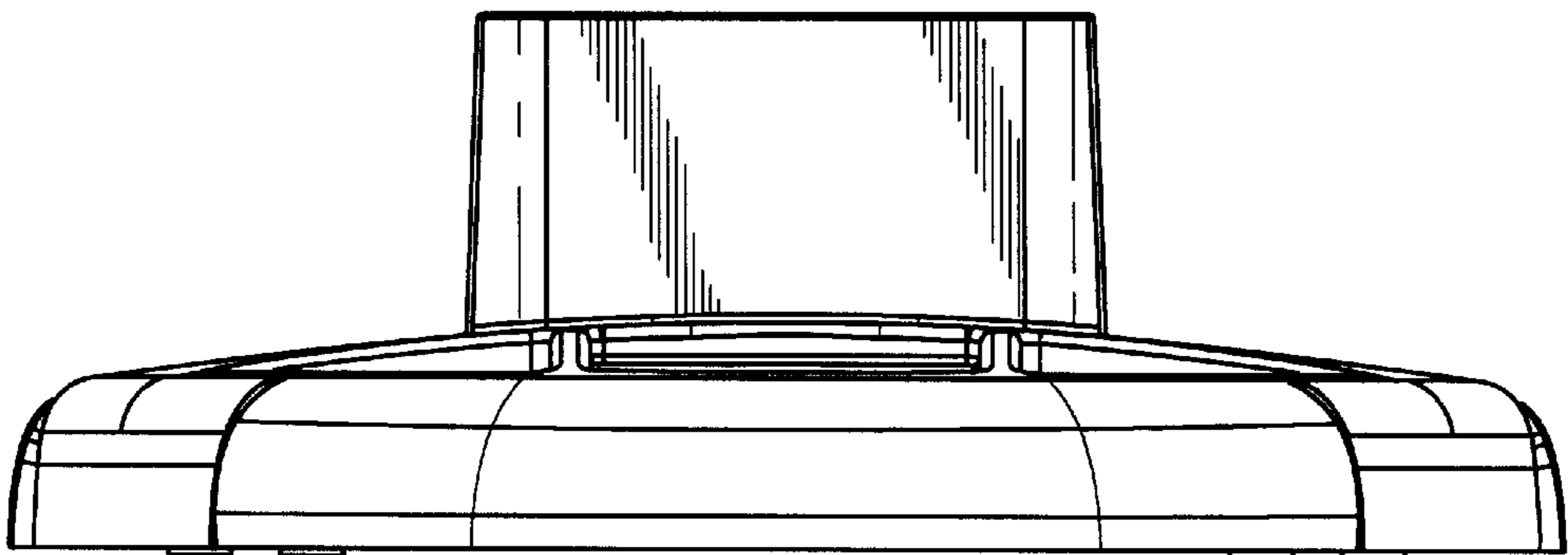


Fig. 1

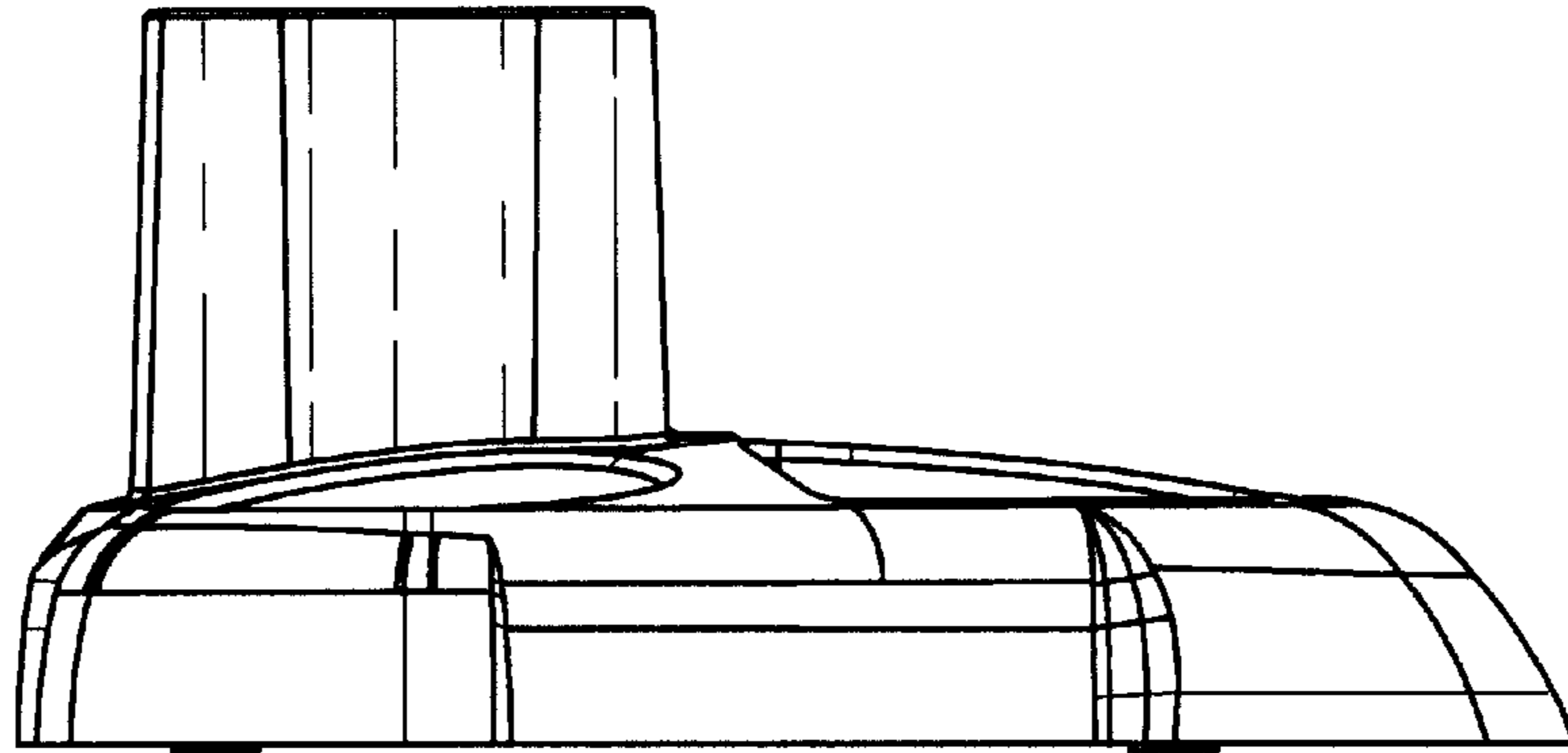
*Fig. 2*



*Fig. 3*



*Fig. 4*



*Fig. 5*

