



US00D457562S

(12) **United States Design Patent**
McKinney

(10) **Patent No.:** **US D457,562 S**

(45) **Date of Patent:** **** May 21, 2002**

(54) **COMBINATION BOOKMARK AND WRITING INSTRUMENT CASE**

(76) **Inventor:** **Christina McKinney**, P.O. Box 93,236,
Lubbock, TX (US) 79493

(**) **Term:** **14 Years**

(21) **Appl. No.:** **29/134,395**

(22) **Filed:** **Dec. 21, 2000**

(51) **LOC (7) Cl.** **19-99**

(52) **U.S. Cl.** **D19/34**

(58) **Field of Search** D19/32, 34; 281/42,
281/48, 30, 37; 116/234, 237, 239; 128/878;
2/338; 206/805

(56) **References Cited**

U.S. PATENT DOCUMENTS

1,322,796	A	*	11/1919	Kissel	281/42
2,066,992	A		1/1937	Matson		
2,300,216	A		10/1942	Grodsky et al.		
2,664,847	A	*	1/1954	Orman	116/239
3,068,840	A		12/1962	Pullins		
4,089,412	A	*	5/1978	Baugh	206/805 X
4,162,800	A		7/1979	Gonot, Jr. et al.		
4,505,219	A		3/1985	Mangano		

D294,660	S		3/1988	Strongwater		
D314,589	S	*	2/1991	Cooley	D19/34
5,054,816	A		10/1991	Rosengarten		
D346,399	S	*	4/1994	Schad et al.	D19/34
5,405,010	A		4/1995	Goldberger		
D449,648	S	*	10/2001	Andler	D19/34

* cited by examiner

Primary Examiner—Paula A. Mortimer

(74) *Attorney, Agent, or Firm*—Joseph Scafetta, Jr.

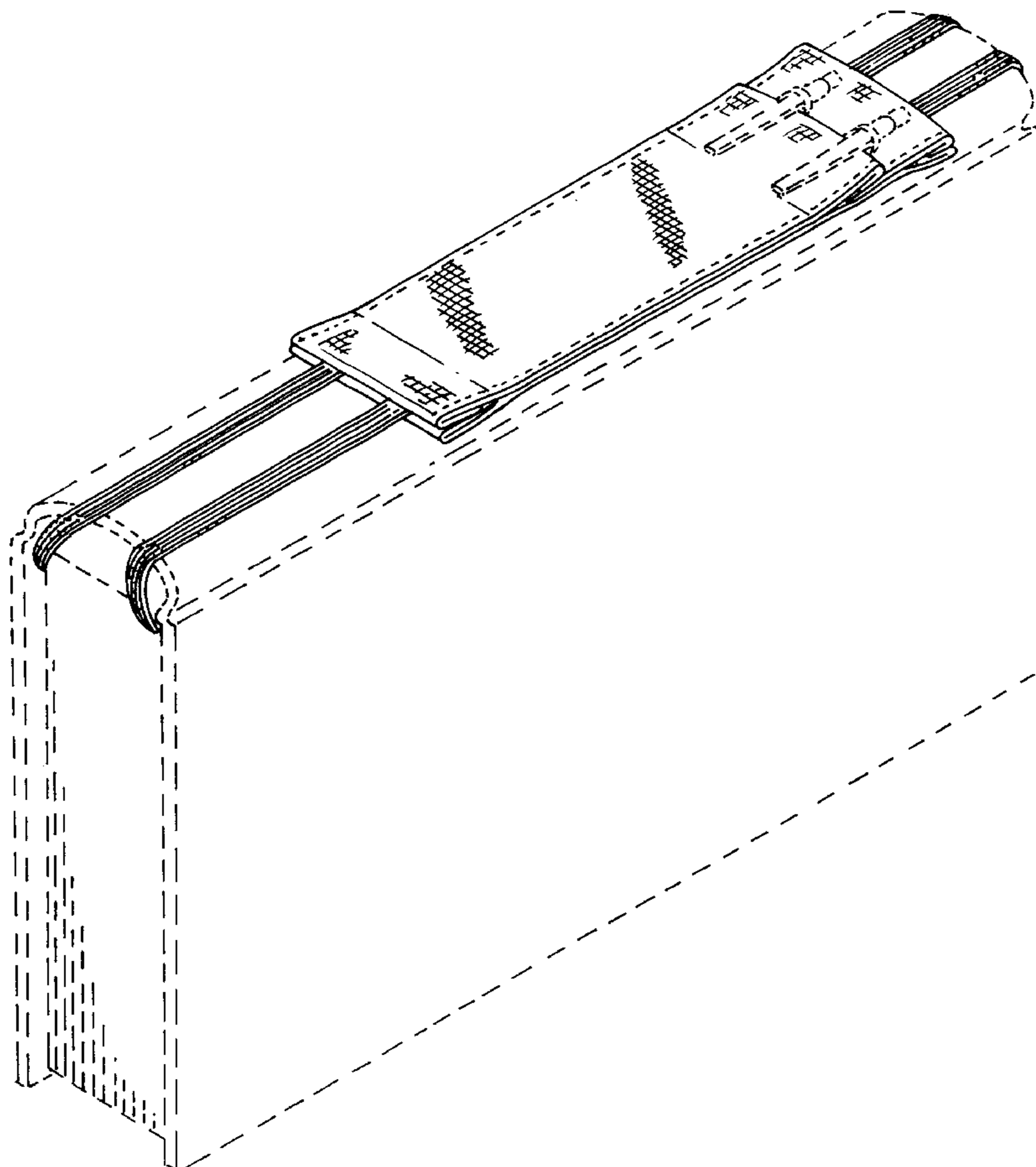
(57) **CLAIM**

The ornamental design for a combination bookmark and writing instrument case, as shown and described.

DESCRIPTION

FIG. 1 is a top plan view showing my new design;
 FIG. 2 is a bottom plan view thereof;
 FIG. 3 is a front elevational view thereof;
 FIG. 4 is a rear elevational view thereof;
 FIG. 5 is a right side elevational view thereof with the left side being a mirror image thereof;
 FIG. 6 is a perspective view showing one use of my new design; and,
 FIG. 7 is a perspective view showing another use of my new design.

1 Claim, 4 Drawing Sheets



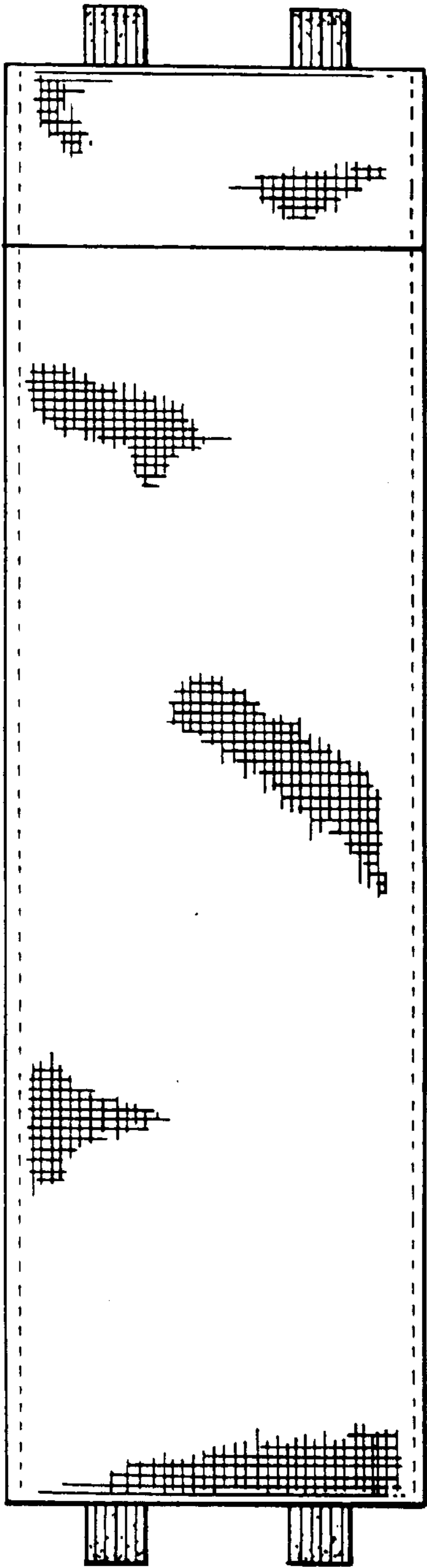


Fig. 1

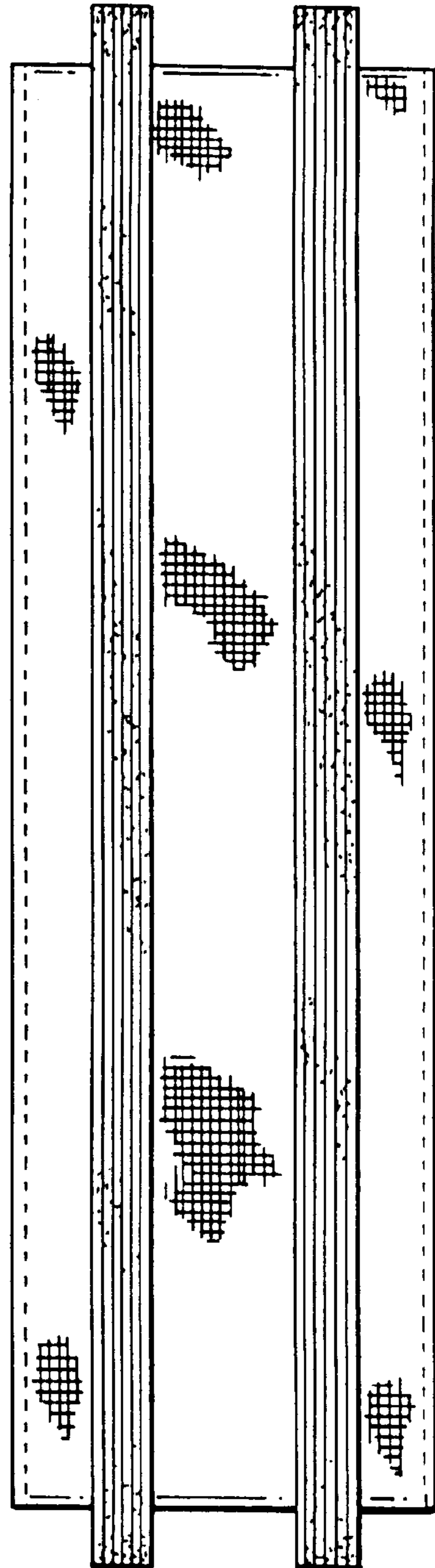


Fig. 2

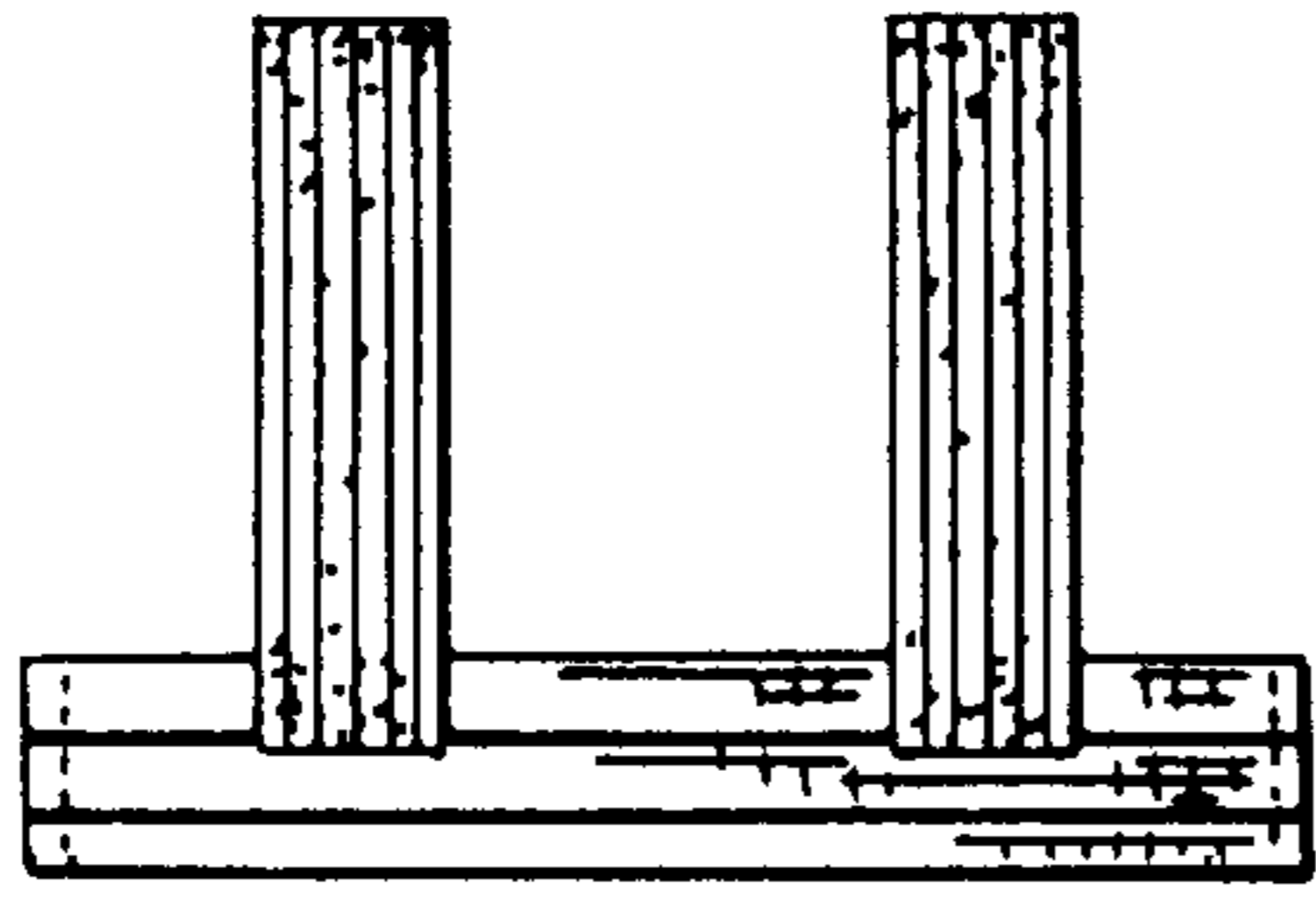


Fig. 3

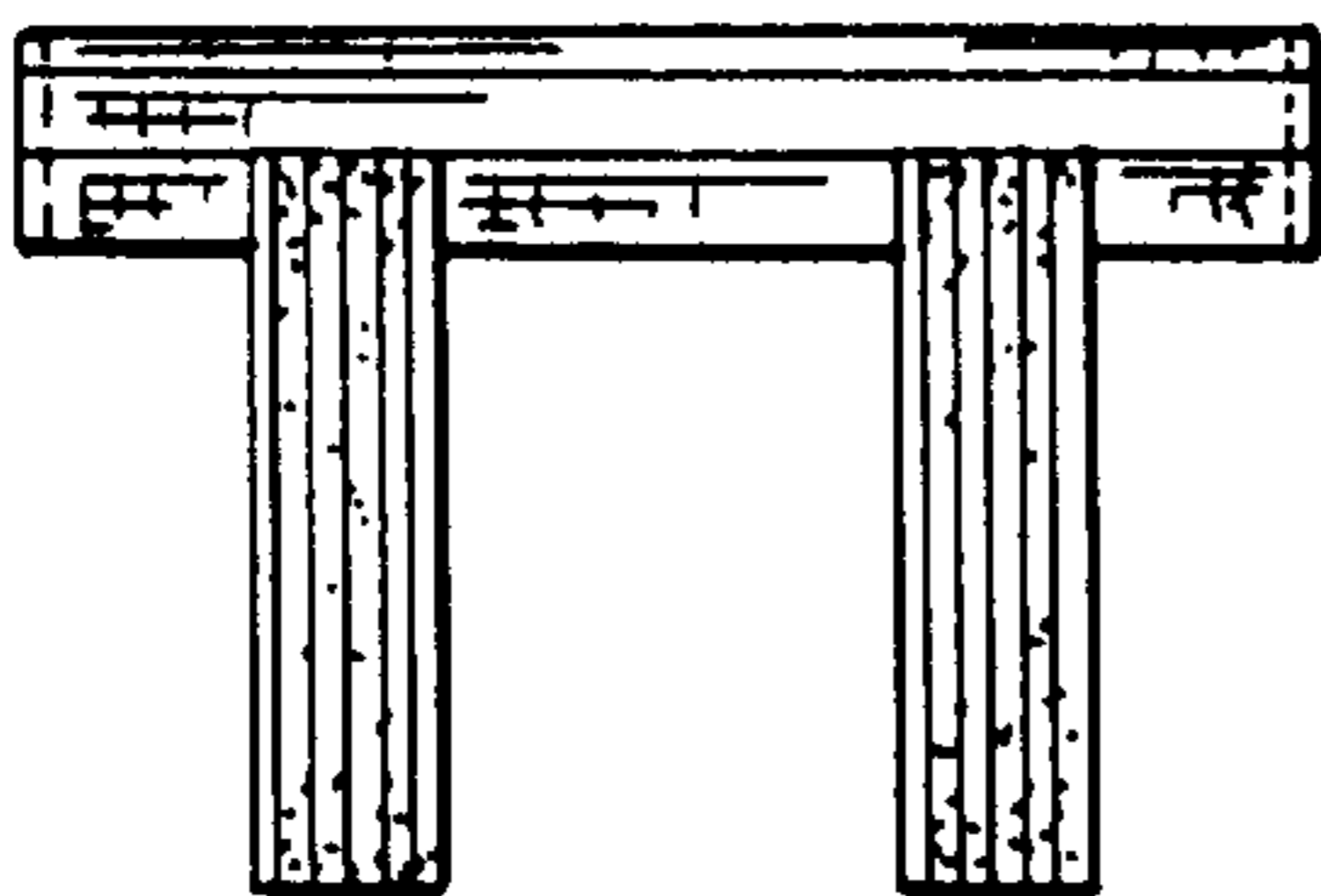


Fig. 4

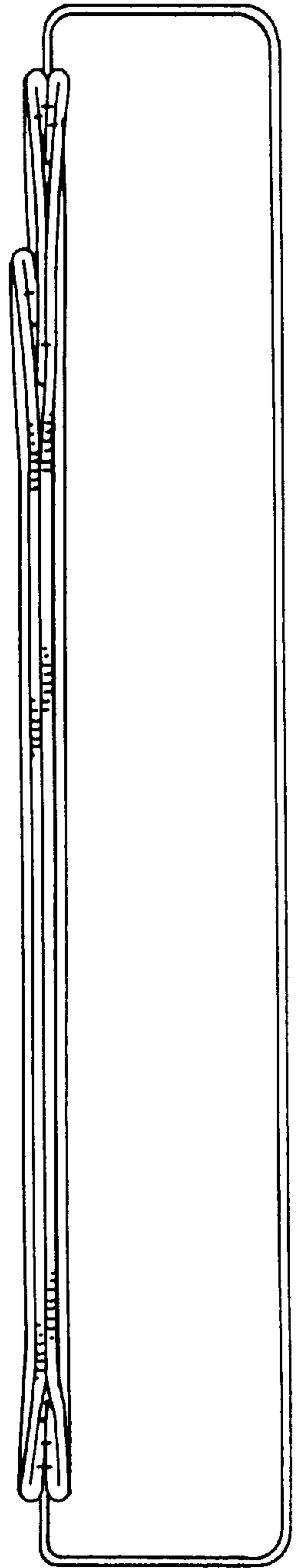


Fig. 5

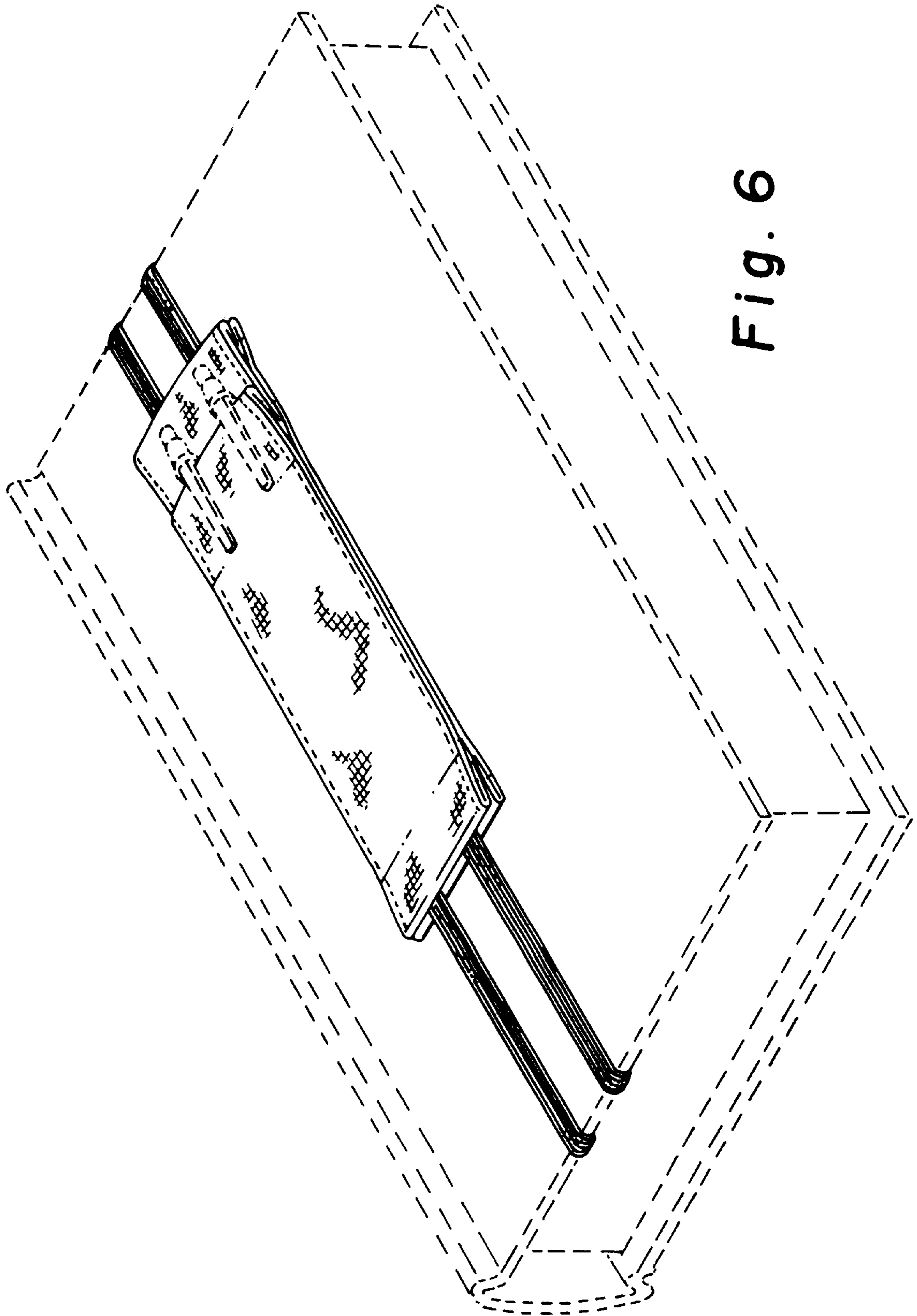


Fig. 6

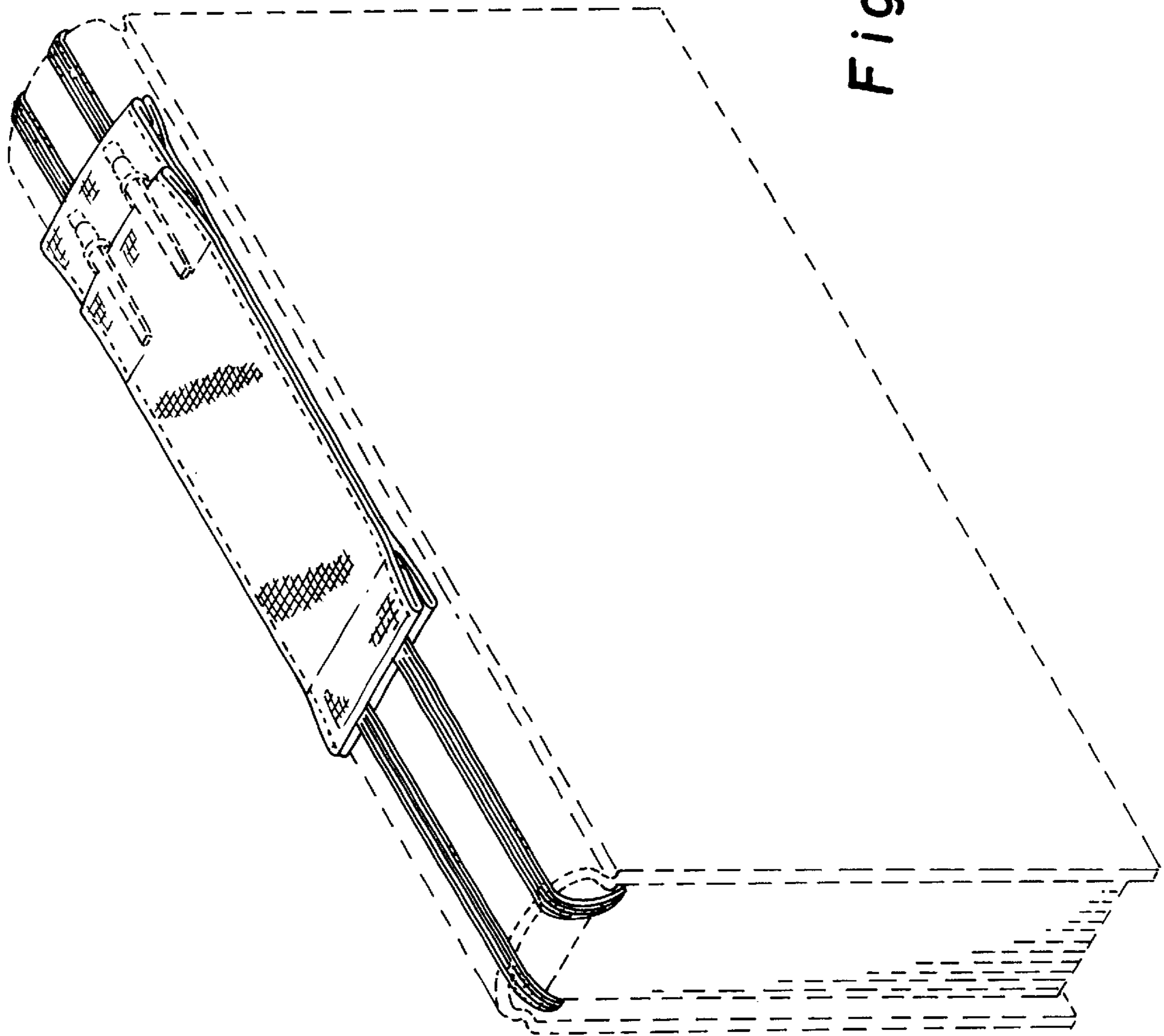


Fig. 7