



US00D457559S

(12) **United States Design Patent**
To

(10) **Patent No.:** **US D457,559 S**

(45) **Date of Patent:** **** May 21, 2002**

(54) **RING BINDER**

(75) Inventor: **Chun Yuen To**, Kauto Shan Shatin N.T. (HK)

(73) Assignee: **World Wide Stationery Manufacturing Company, Ltd.** (HK)

(**) Term: **14 Years**

(21) Appl. No.: **29/146,093**

(22) Filed: **Aug. 3, 2001**

(51) **LOC (7) Cl.** **19-04**

(52) **U.S. Cl.** **D19/27; D19/32**

(58) **Field of Search** D19/22, 27, 32;
402/26, 31, 36, 37, 38, 39, 40, 41, 42,
43, 44, 45, 46, 80 R, 502

(56) **References Cited**

U.S. PATENT DOCUMENTS

3,263,687 A	8/1966	Weichert	
4,552,478 A	11/1985	Cohen	
D325,928 S	* 5/1992	Bourgedis D19/27
5,332,327 A	* 7/1994	Gillum 402/31
D377,805 S	2/1997	To	
D382,593 S	8/1997	To	
D392,997 S	* 3/1998	Chan D19/32
D408,851 S	4/1999	To	
5,971,649 A	10/1999	To	

5,980,146 A	11/1999	To	
6,045,286 A	* 4/2000	Tung 402/37
D426,571 S	6/2000	To	
D433,445 S	7/2000	To	
D434,071 S	11/2000	To	
6,217,247 B1	4/2001	Ng	

* cited by examiner

Primary Examiner—Paula A. Mortimer
(74) *Attorney, Agent, or Firm*—Senniger, Powers, Leavitt & Roedel

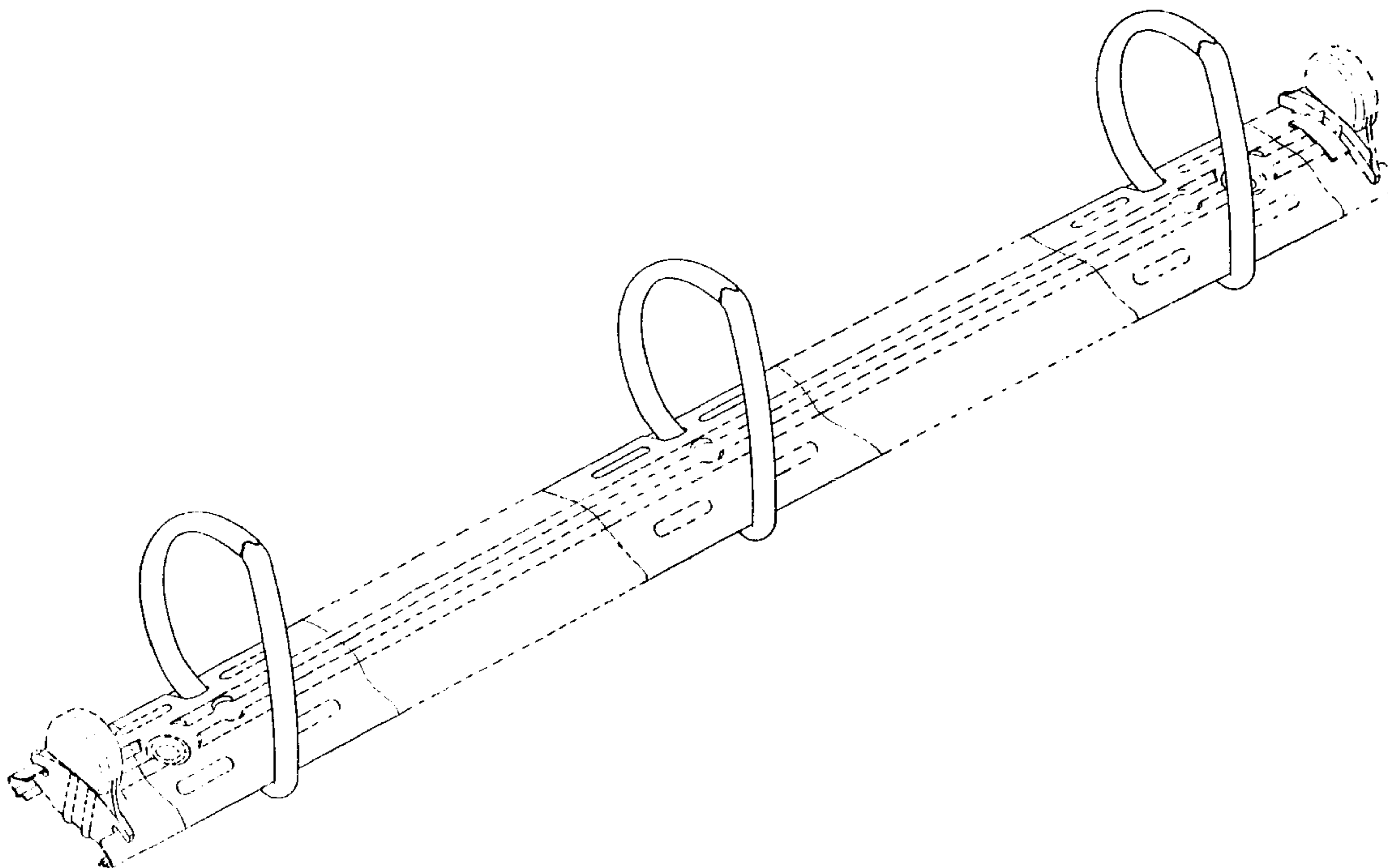
(57) **CLAIM**

The ornamental design for a ring binder, as shown and described.

DESCRIPTION

FIG. 1 is a perspective view of a ring binder showing my new design with the rings in the closed position; FIG. 2 is a view similar to FIG. 1 with the rings in the open position; FIG. 3 is a bottom plan view thereof; FIG. 4 is a top plan view thereof; and, FIG. 5 is a left end elevational view thereof with the rings in the closed position, the right end being a mirror image thereof. The broken lines shown in the drawings are for illustrative purposes only and form no part of the claimed design.

1 Claim, 4 Drawing Sheets



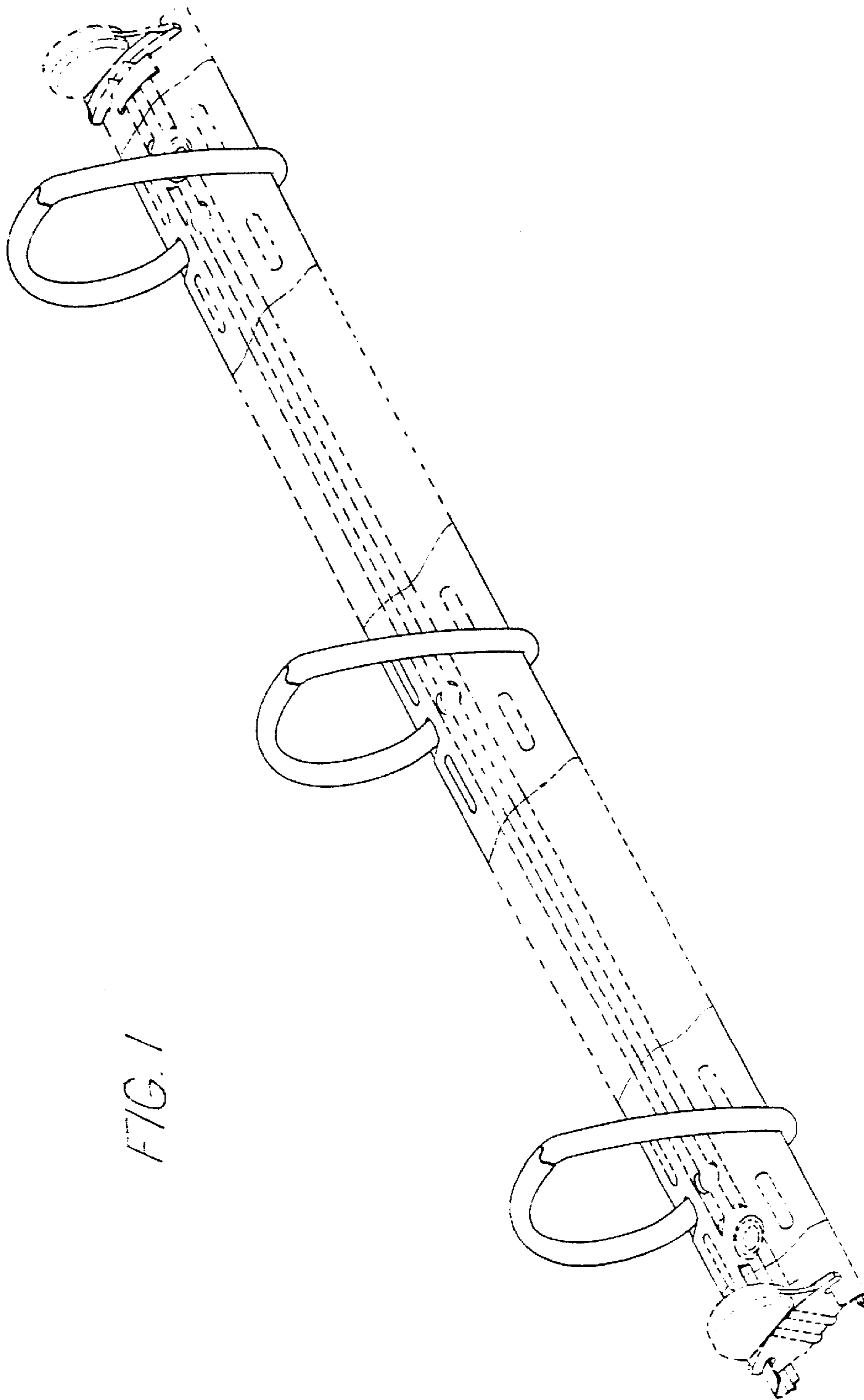


FIG. 1

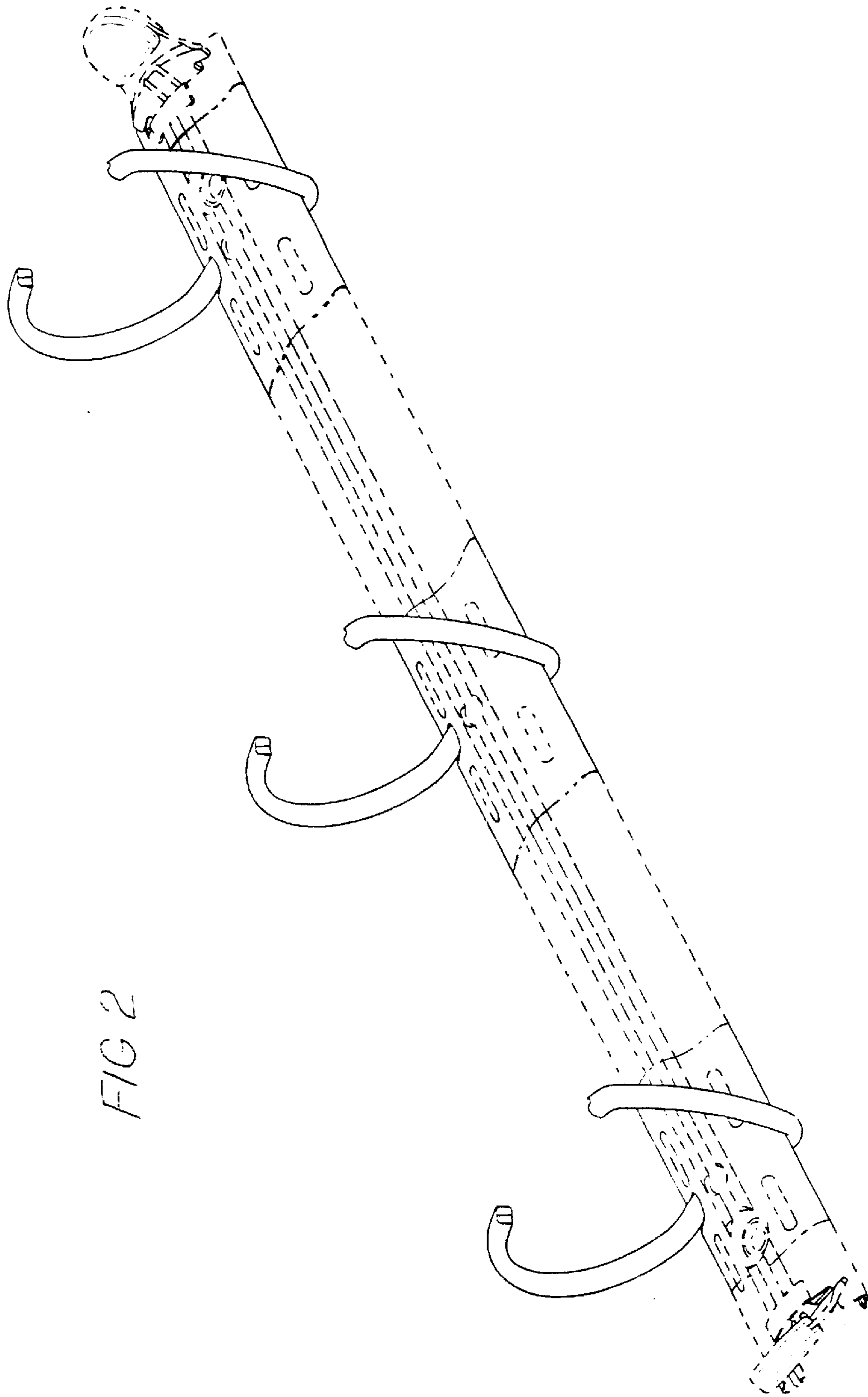


FIG 2

FIG. 3

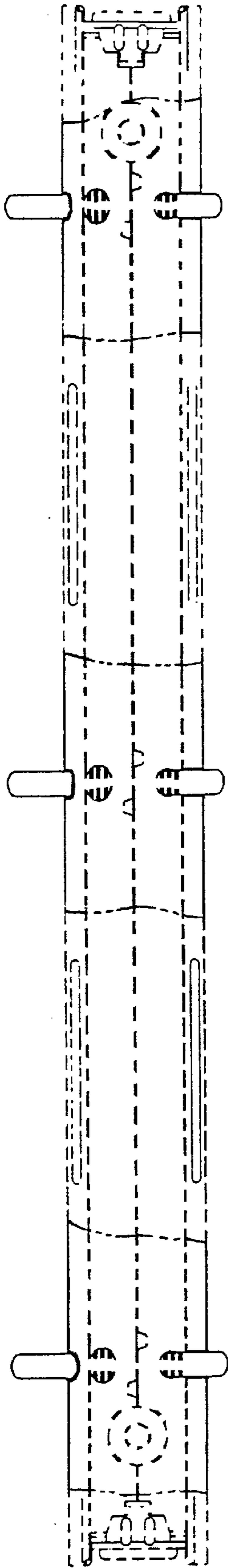


FIG. 4

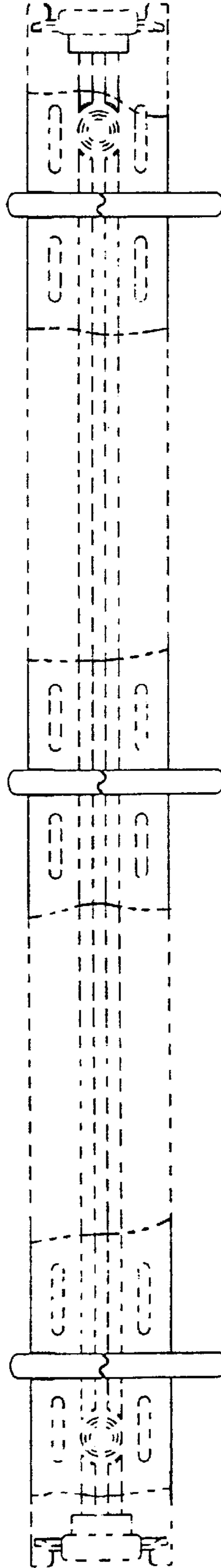


FIG. 5

