



US00D457544S

(12) **United States Design Patent**
Salzsauler et al.

(10) **Patent No.:** **US D457,544 S**

(45) **Date of Patent:** **** May 21, 2002**

(54) **PLASTIC FILM ROLL**

(75) Inventors: **Edward R. Salzsauler**, Georgetown;
Richard G. Salzsauler, Rockwood;
Donald J. Salzsauler, Georgetown, all
of (CA)

(73) Assignee: **Saltech Inc.**, Christ Church (BB)

(**) Term: **14 Years**

(21) Appl. No.: **29/142,487**

(22) Filed: **May 29, 2001**

(51) **LOC (7) Cl.** **16-04**

(52) **U.S. Cl.** **D16/250; D14/481**

(58) **Field of Search** D9/414, 502; D14/481;
D16/237, 249, 250; 242/348-348.4; 396/512-514

(56) **References Cited**

U.S. PATENT DOCUMENTS

D102,268 S * 12/1936 Flannery D9/502

D114,462 S * 4/1939 Platt D9/502
3,276,340 A * 10/1966 Nerwin 396/512
5,102,062 A * 4/1992 Bush 242/348.3
D330,549 S * 10/1992 Takahashi D16/250
5,271,577 A * 12/1993 Takahashi et al. 242/348.3
5,435,499 A * 7/1995 Hirose 242/348.4

* cited by examiner

Primary Examiner—Adir Aronovich

(74) *Attorney, Agent, or Firm*—Robert F. Delbridge

(57) **CLAIM**

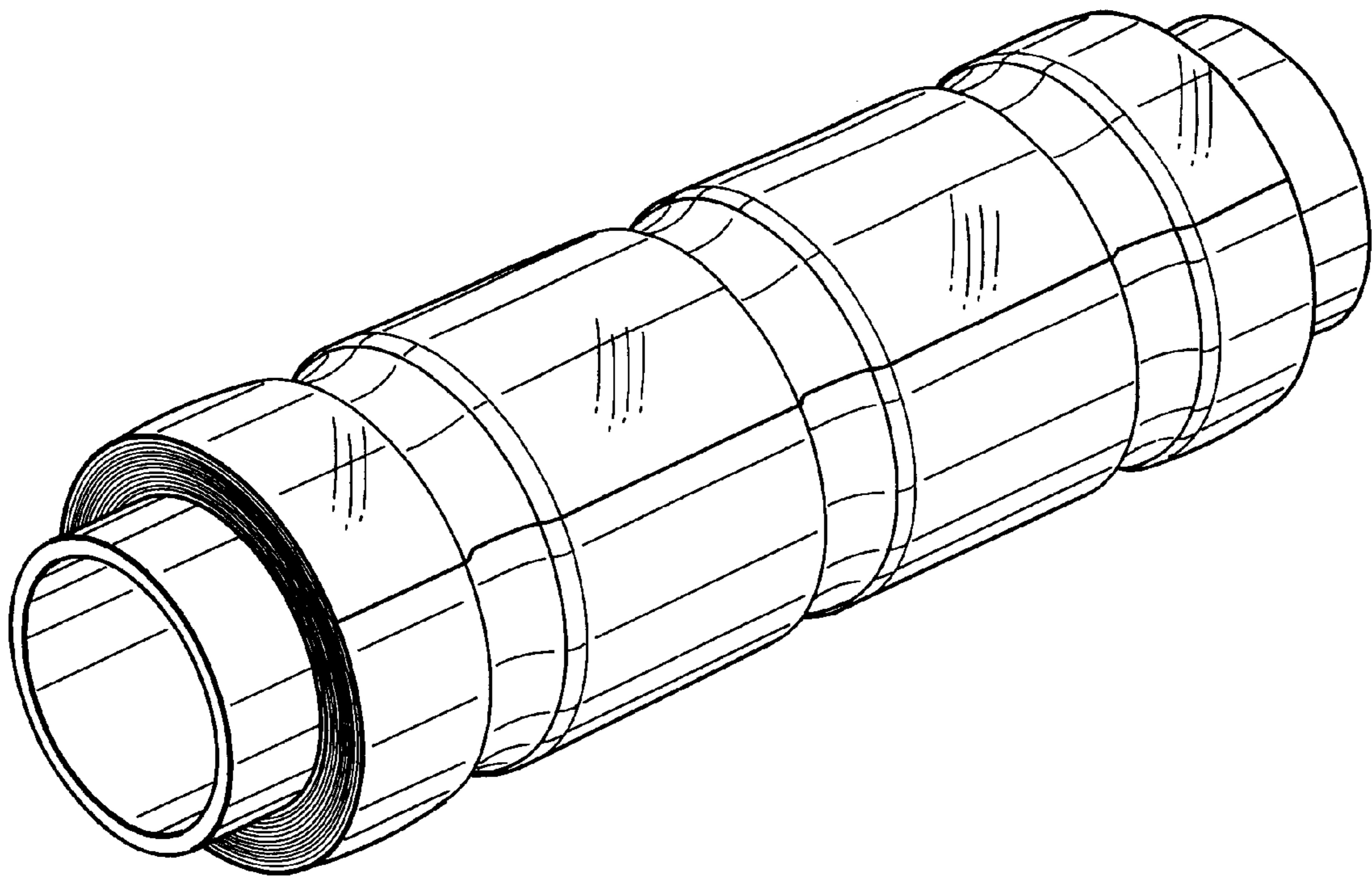
The ornamental design for a plastic film roll, as shown.

DESCRIPTION

FIG. 1 is a perspective view of a plastic film roll showing our new design;

FIG. 2 is a front view of the plastic film roll of FIG. 1; and,
FIG. 3 is an end view of the plastic film roll of FIG. 1.

1 Claim, 1 Drawing Sheet



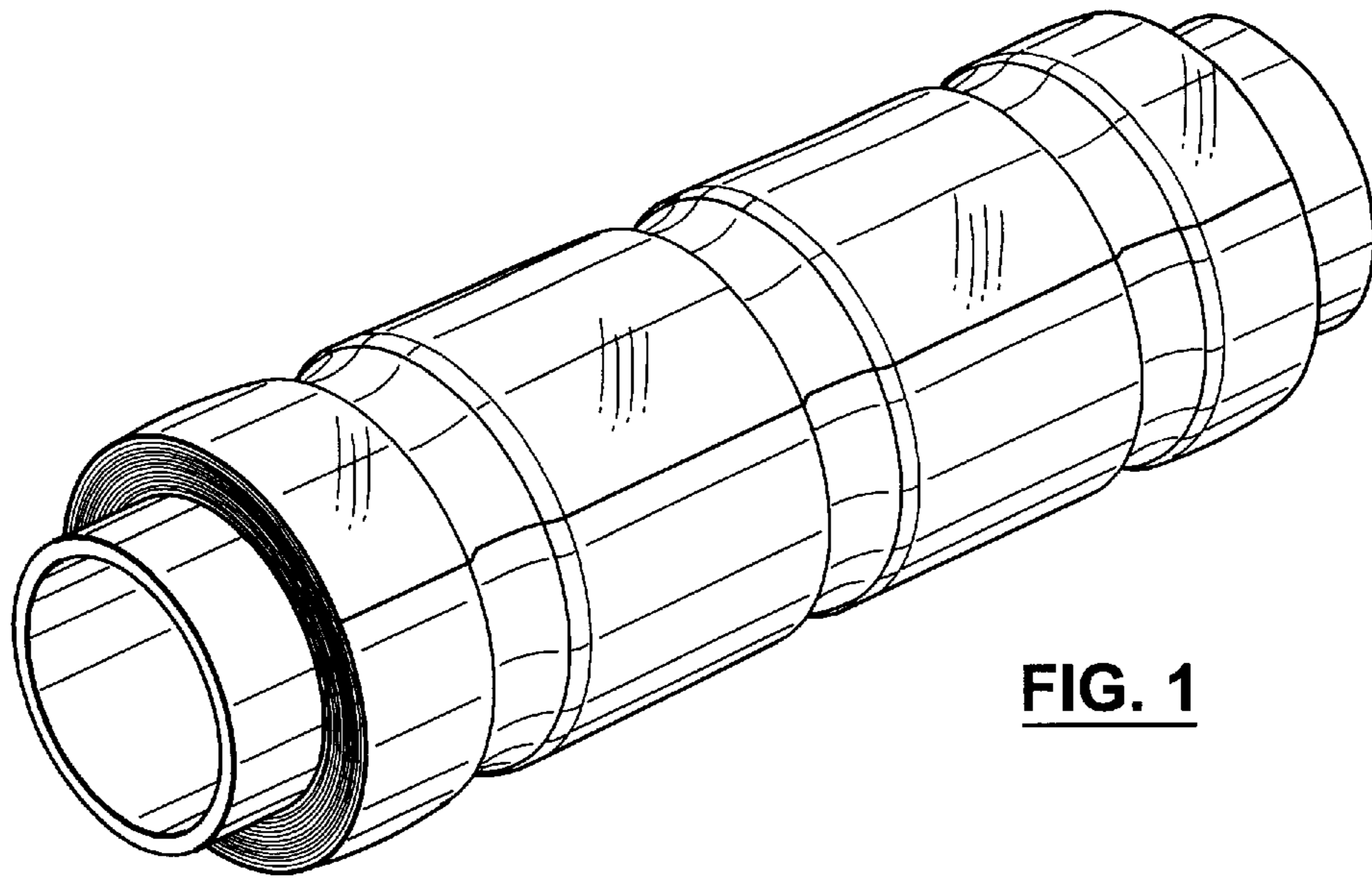


FIG. 1

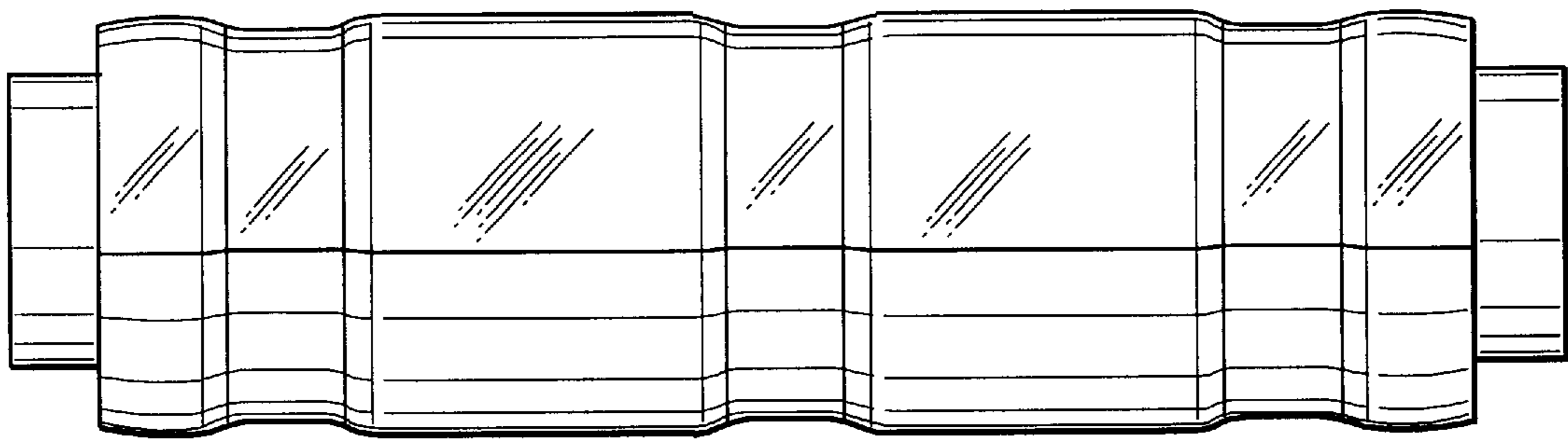


FIG. 2

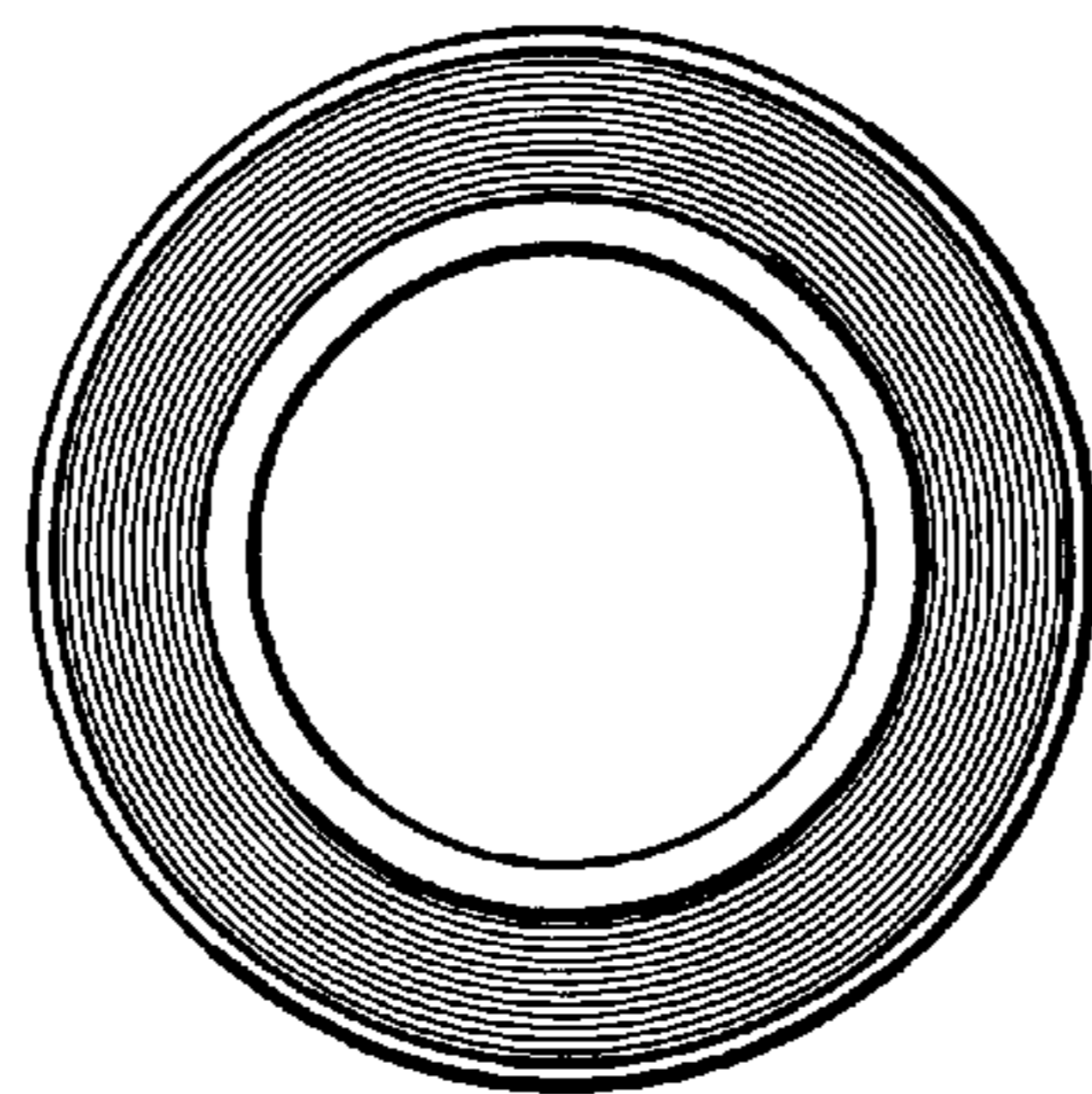


FIG. 3