



US00D457542S

(12) **United States Design Patent**
Peterson

(10) **Patent No.:** **US D457,542 S**

(45) **Date of Patent:** **** May 21, 2002**

(54) **LENS PROTECTION FOR SIGHTS**

2,889,629 A * 6/1959 Darkenwald 359/511 X
D298,761 S * 11/1988 Yoshida et al. D16/136

(75) Inventor: **Magnus Peterson**, Malmö (SE)

* cited by examiner

(73) Assignee: **GS Development AB**, Malmö (SE)

Primary Examiner—Paula A. Mortimer

(**) Term: **14 Years**

(74) *Attorney, Agent, or Firm*—Marshall A. Lerner, Esq.;
Finn T. Simmenssen, Esq.; Kleinberg & Lerner, LLP

(21) Appl. No.: **29/150,742**

(57) **CLAIM**

(22) Filed: **Nov. 28, 2001**

The ornamental design for a lens protection for sights, as shown and described.

(30) **Foreign Application Priority Data**

Jun. 1, 2001 (SE) 01-0959

DESCRIPTION

(51) **LOC (7) Cl.** **16-06**

FIG. 1 is a bottom perspective view of an embodiment of a lens protection for sights showing my new design;

(52) **U.S. Cl.** **D16/136**

FIG. 2 is a top perspective view thereof;

(58) **Field of Search** D16/130, 136;
D22/100, 109, 110, 199; D9/443; 359/511,
611, 811, 827; 42/129

FIG. 3 is a left side view thereof;

FIG. 4 is a bottom plan view thereof;

FIG. 5 is a right side view thereof;

FIG. 6 is a top plan view thereof;

FIG. 7 is a bottom end view thereof; and,

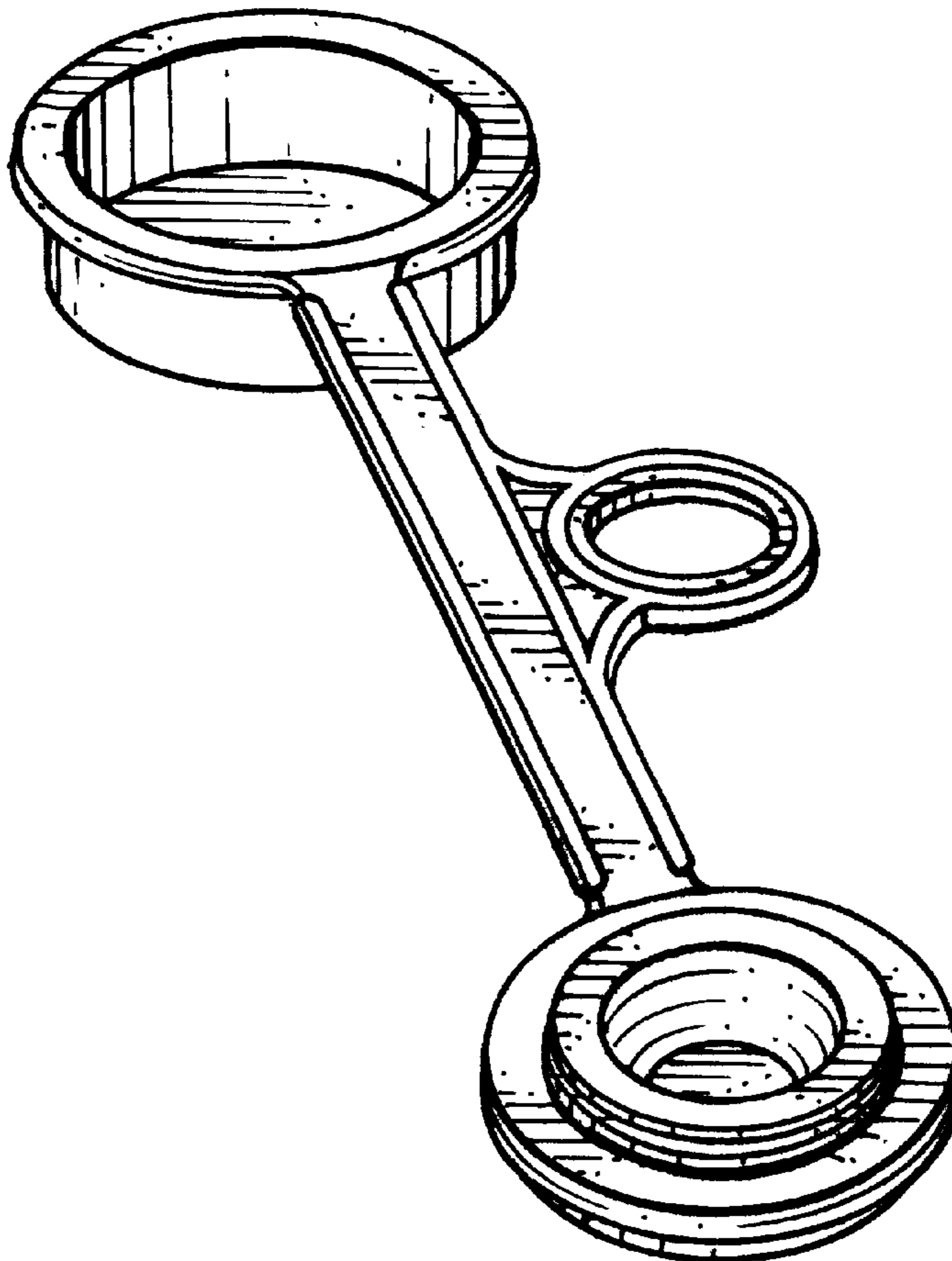
FIG. 8 is a top end view thereof.

(56) **References Cited**

U.S. PATENT DOCUMENTS

2,291,821 A * 8/1942 McNabb 359/811 X
D164,923 S * 10/1951 Heidecke D16/136

1 Claim, 2 Drawing Sheets



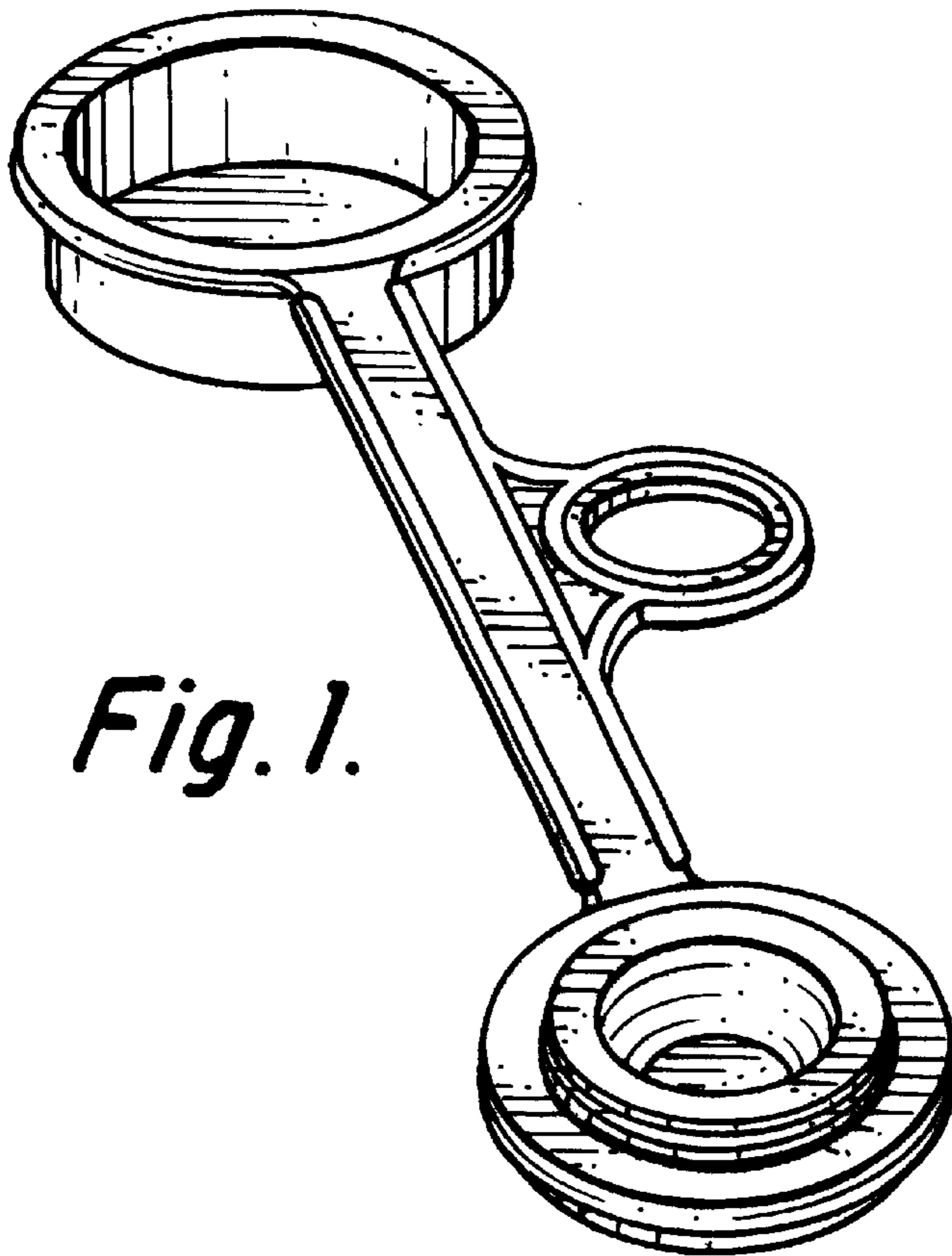


Fig. 1.

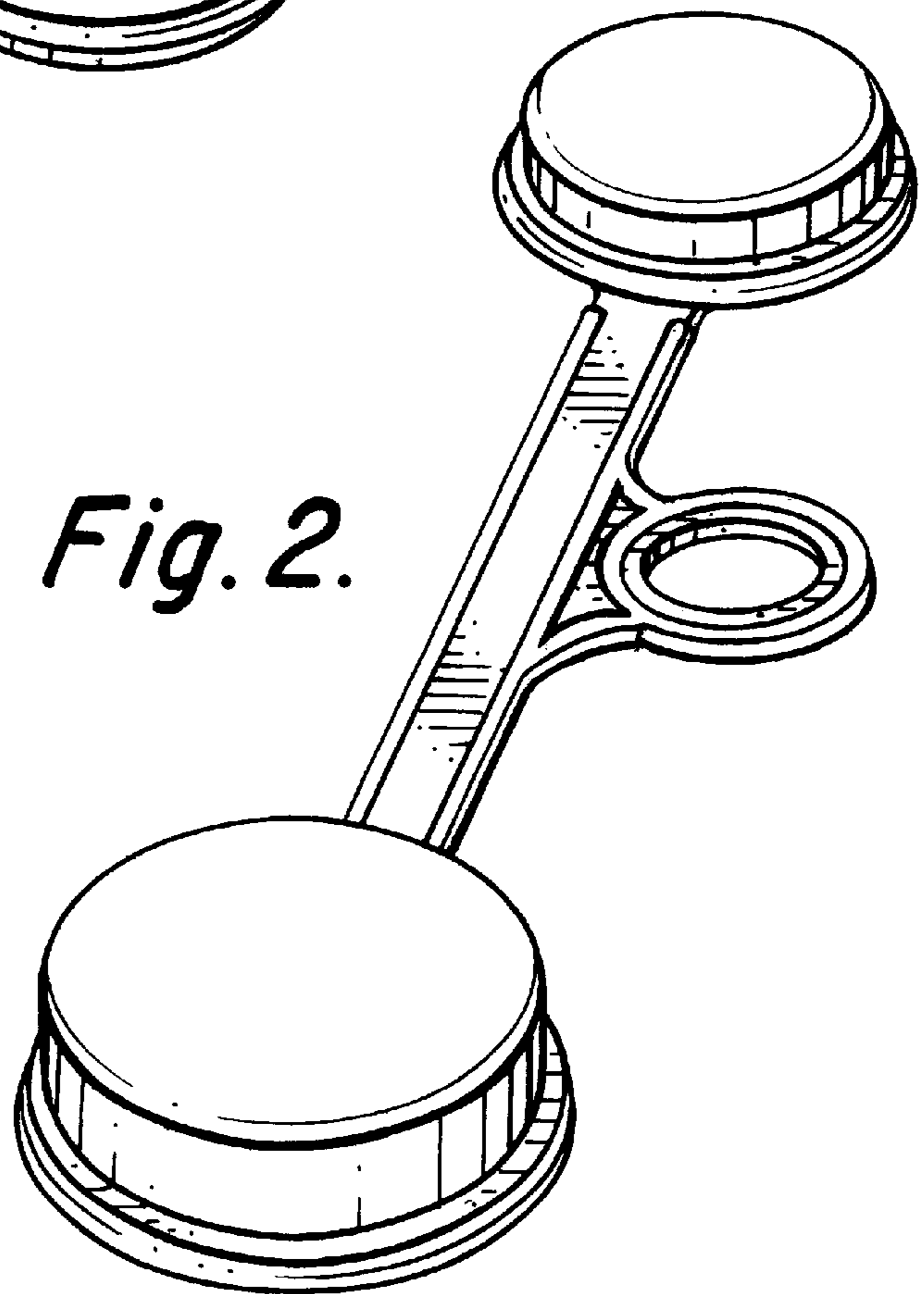


Fig. 2.

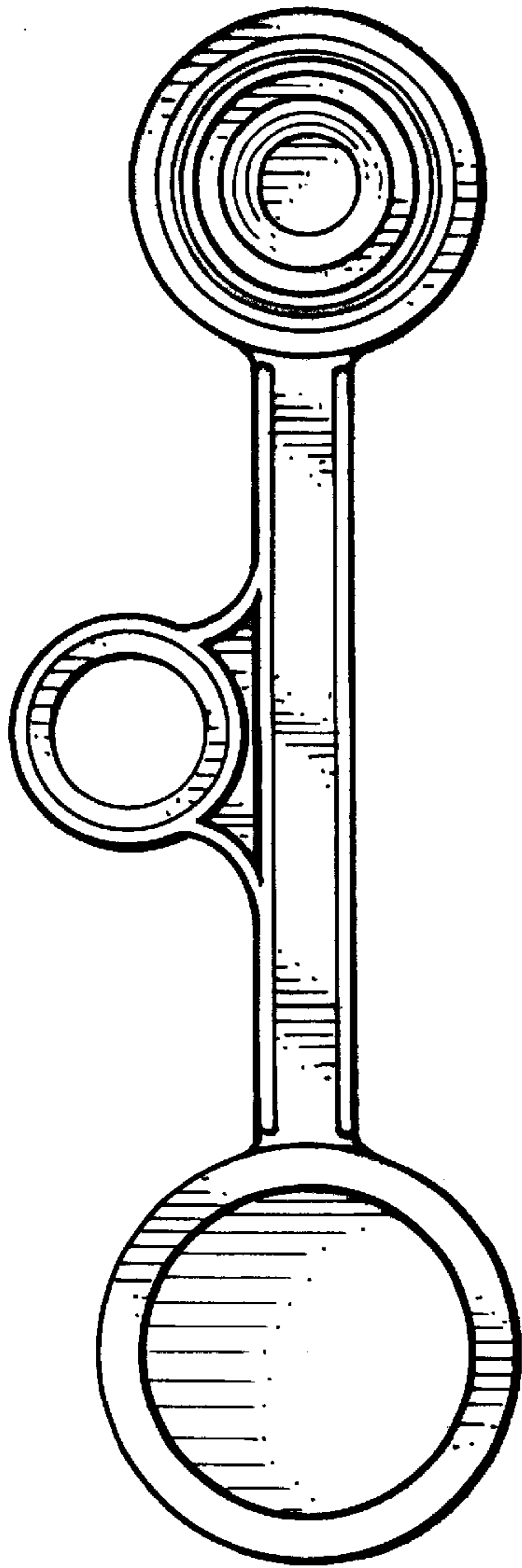


Fig. 3.

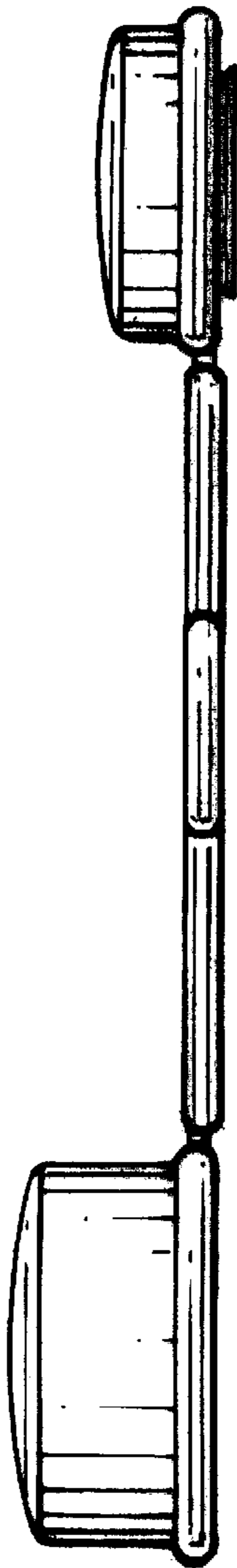


Fig. 4.

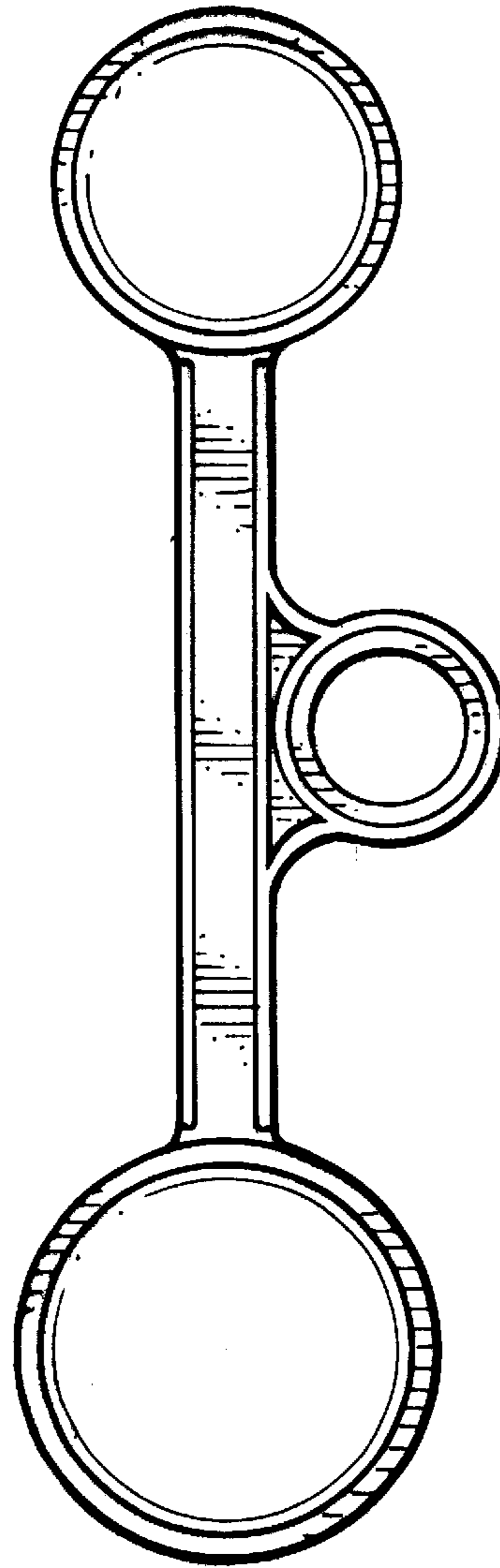


Fig. 5.

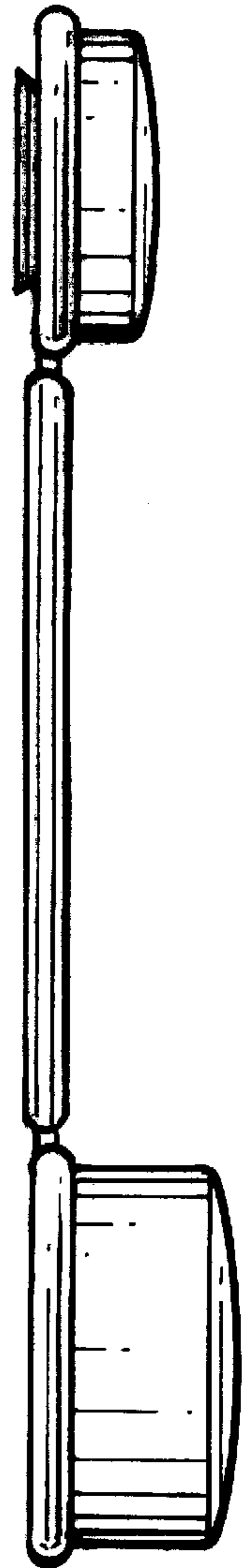


Fig. 6.

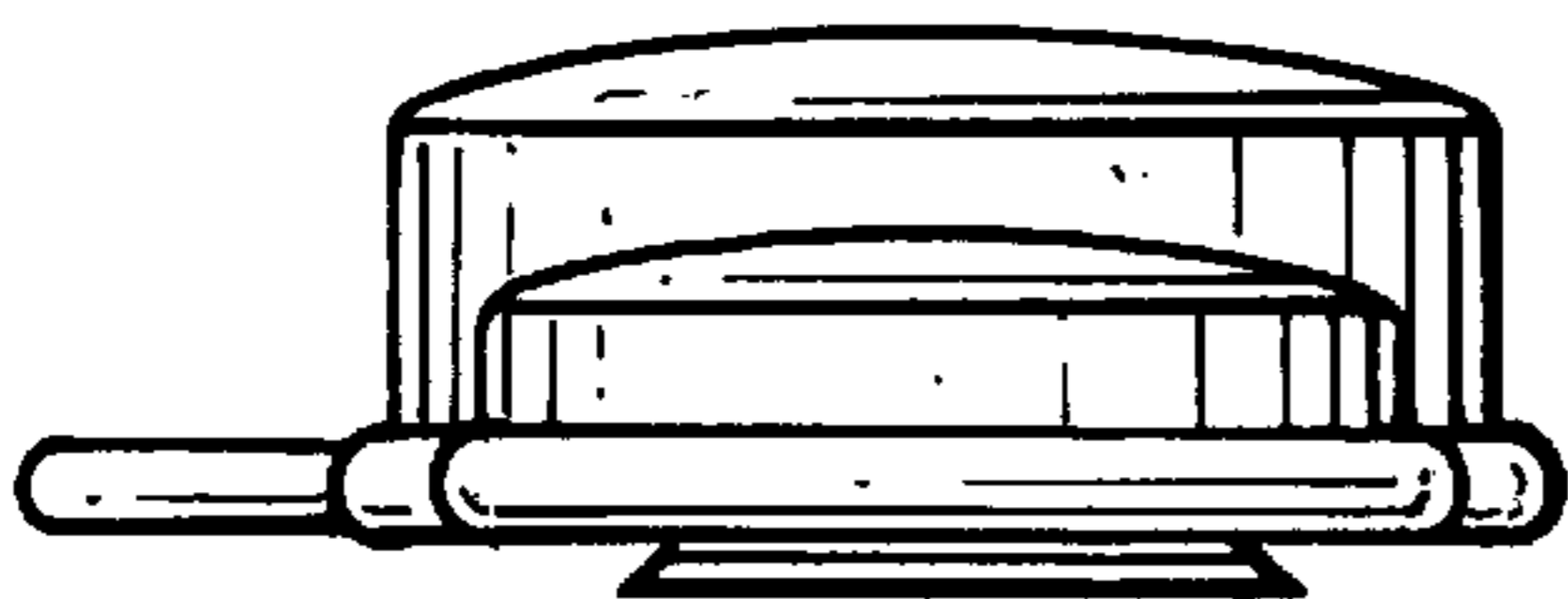


Fig. 7.

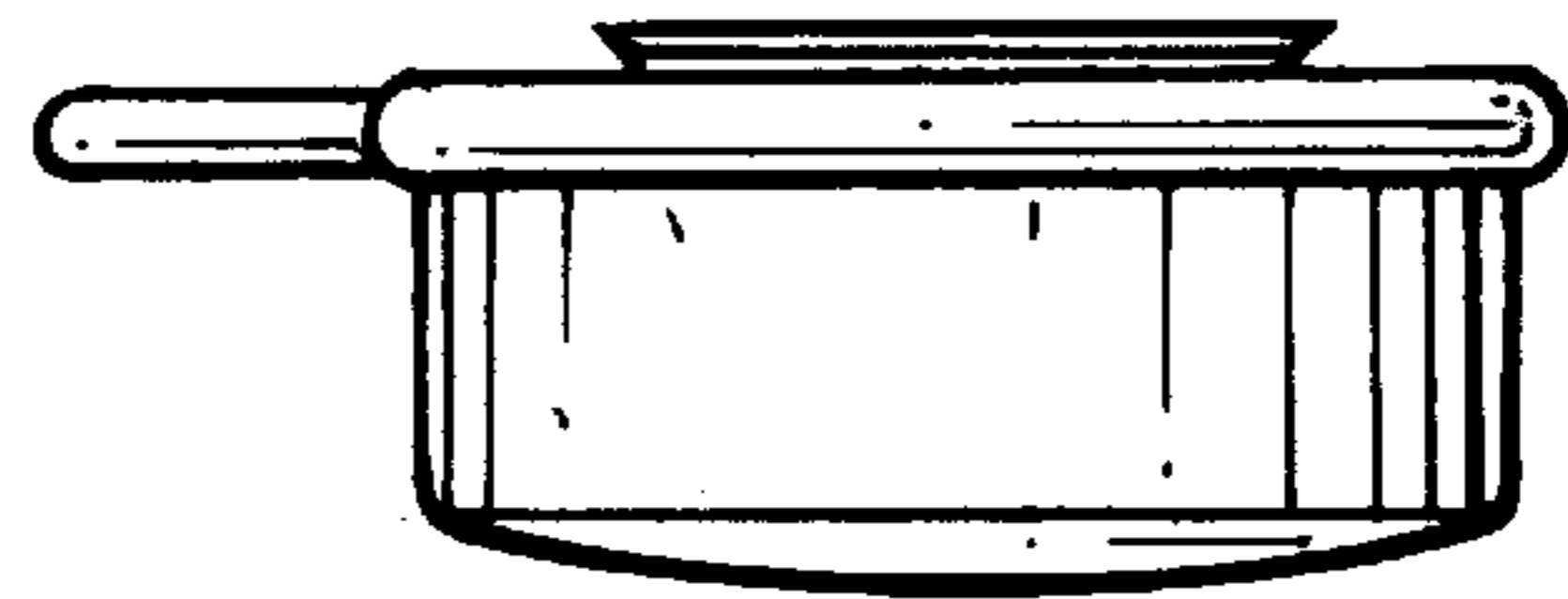


Fig. 8.