



US00D457541S

(12) **United States Design Patent**
Hayashi

(10) **Patent No.:** **US D457,541 S**

(45) **Date of Patent:** **** May 21, 2002**

(54) **BINOCULARS**

(75) Inventor: **Tatsuyuki Hayashi, Saitama (JP)**

(73) Assignee: **Asahi Kogaku Kogyo Kabushiki Kaisha, Tokyo (JP)**

(**) Term: **14 Years**

(21) Appl. No.: **29/150,265**

(22) Filed: **Nov. 19, 2001**

(30) **Foreign Application Priority Data**

May 21, 2001 (JP) 2001-014454

(51) **LOC (7) Cl.** **16-06**

(52) **U.S. Cl.** **D16/133**

(58) **Field of Search** D16/130, 133;
359/407, 408, 409, 410, 411, 412, 413,
414, 415, 416, 417, 418

(56) **References Cited**

U.S. PATENT DOCUMENTS

D375,106 S * 10/1996 Matsuda et al. D16/133
D376,167 S * 12/1996 Hayamizu D16/133

5,583,692 A * 12/1996 Funatsu 359/413
D394,666 S * 5/1998 Ono D16/133
D395,905 S * 7/1998 Hamamura D16/133
D420,690 S * 2/2000 Konno D16/133
D421,997 S * 3/2000 Kawahata D16/133
D428,031 S * 7/2000 Inaba D16/133
D430,586 S * 9/2000 Inaba D16/133

* cited by examiner

Primary Examiner—Paula A. Mortimer

(74) *Attorney, Agent, or Firm*—Sughrue Mion, PLLC

(57) **CLAIM**

The ornamental design for binoculars, as shown.

DESCRIPTION

FIG. 1 is a perspective view of the top, front and right side of binoculars showing my new design;
FIG. 2 is a front elevational view thereof;
FIG. 3 is a top plan view thereof;
FIG. 4 is a right side elevational view thereof;
FIG. 5 is a rear elevational view thereof;
FIG. 6 is a left side elevational view thereof; and,
FIG. 7 is a bottom plan view thereof.

1 Claim, 4 Drawing Sheets

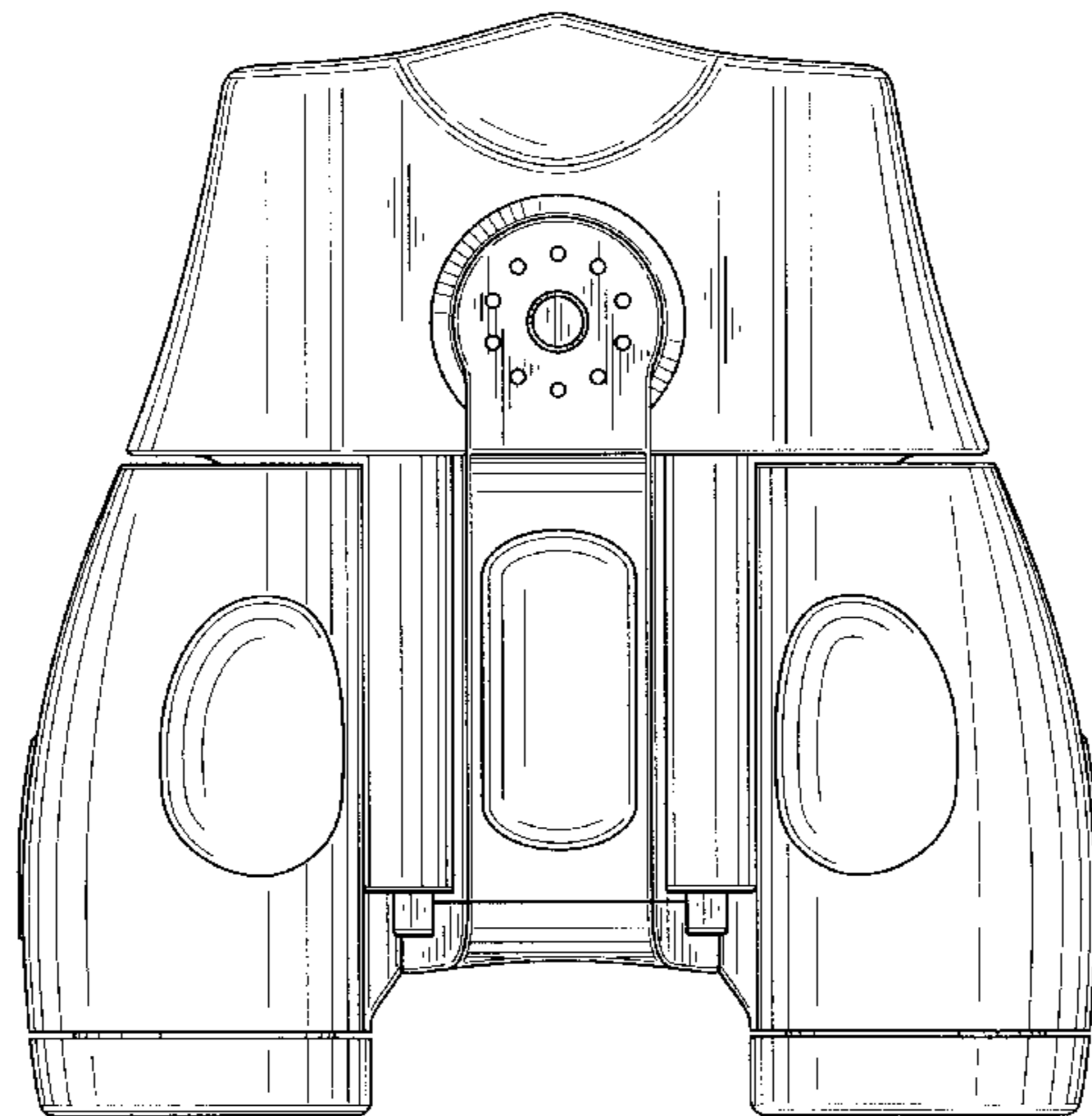
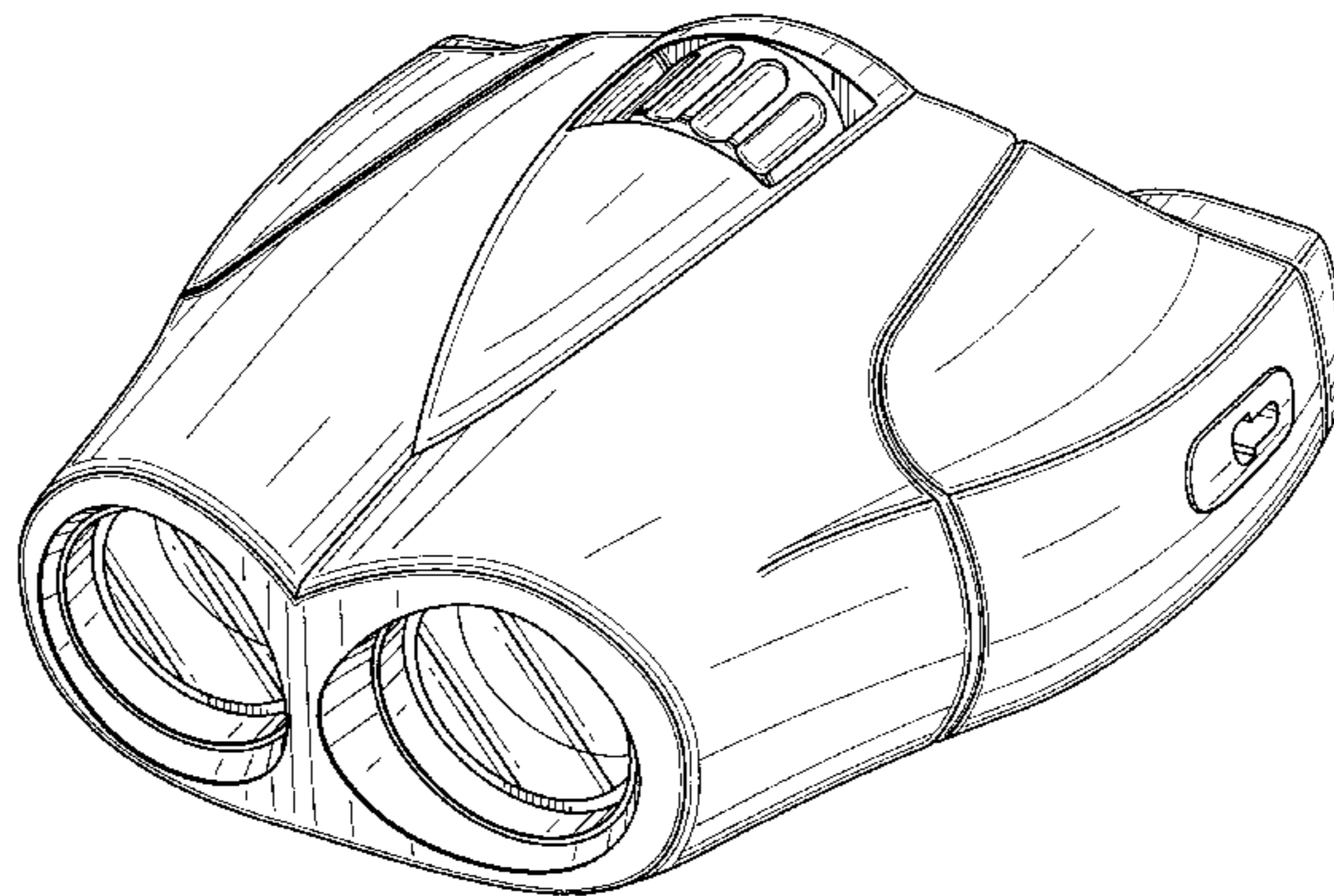


FIG. 1

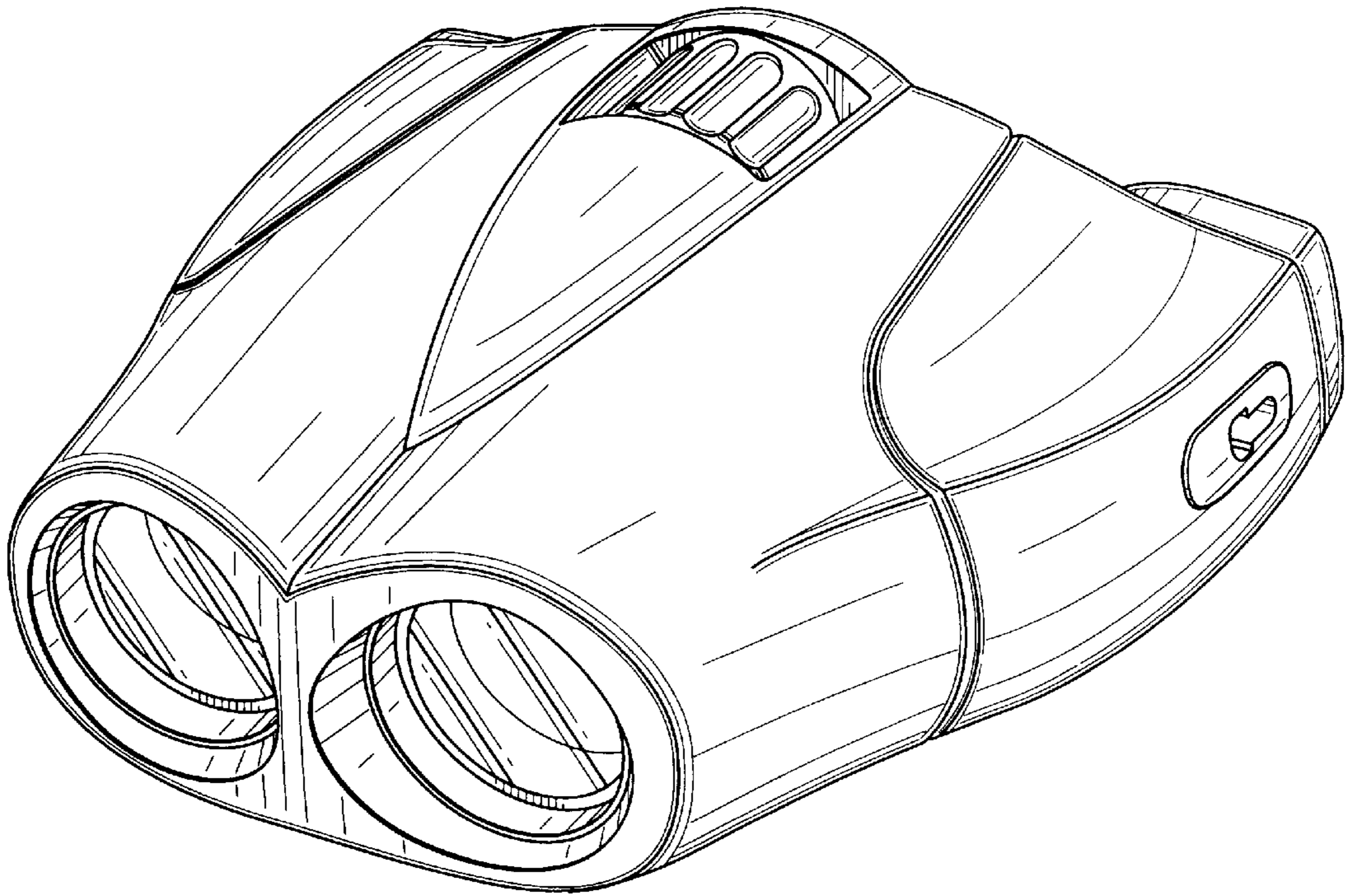


FIG. 2

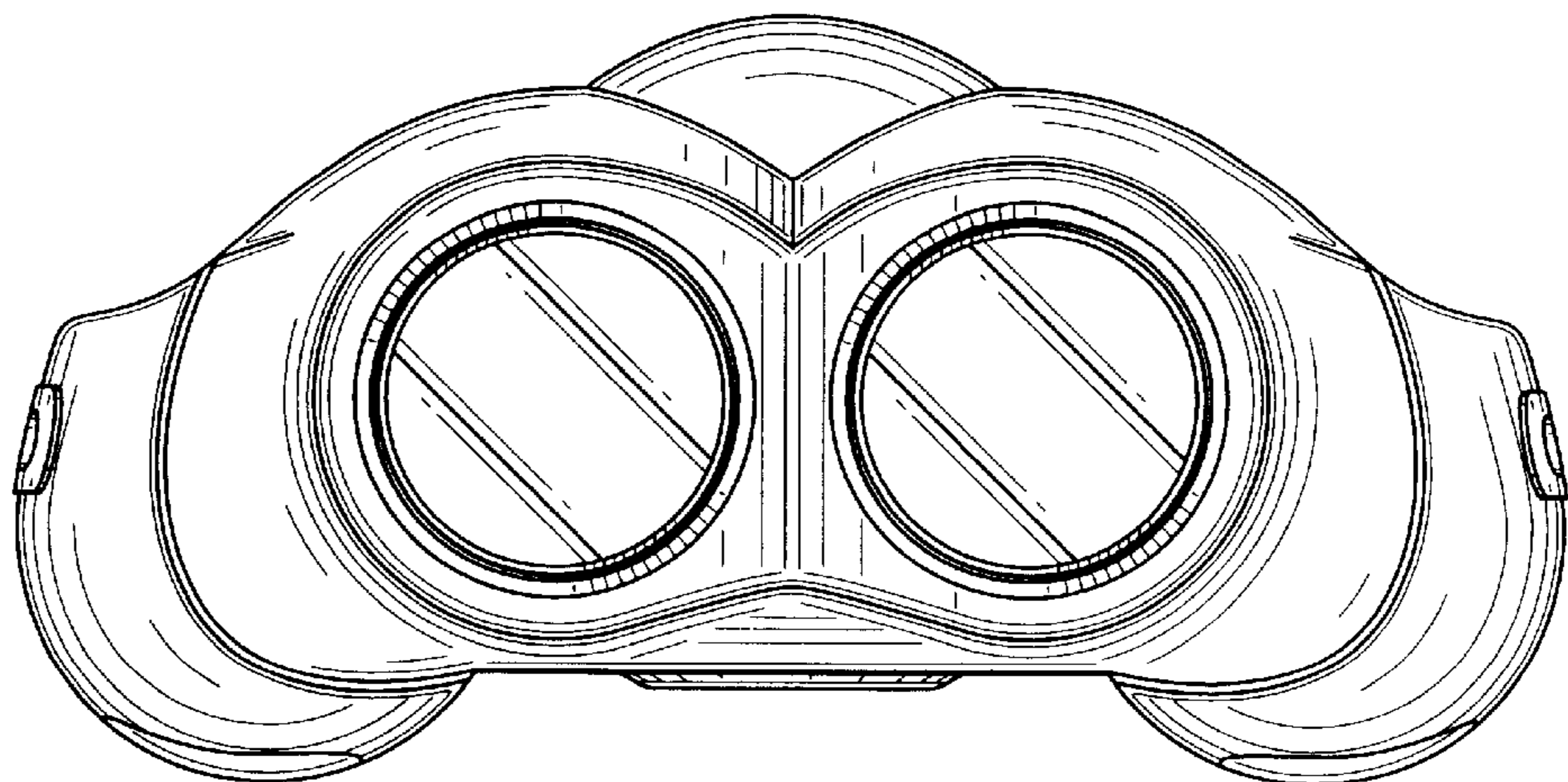


FIG. 3

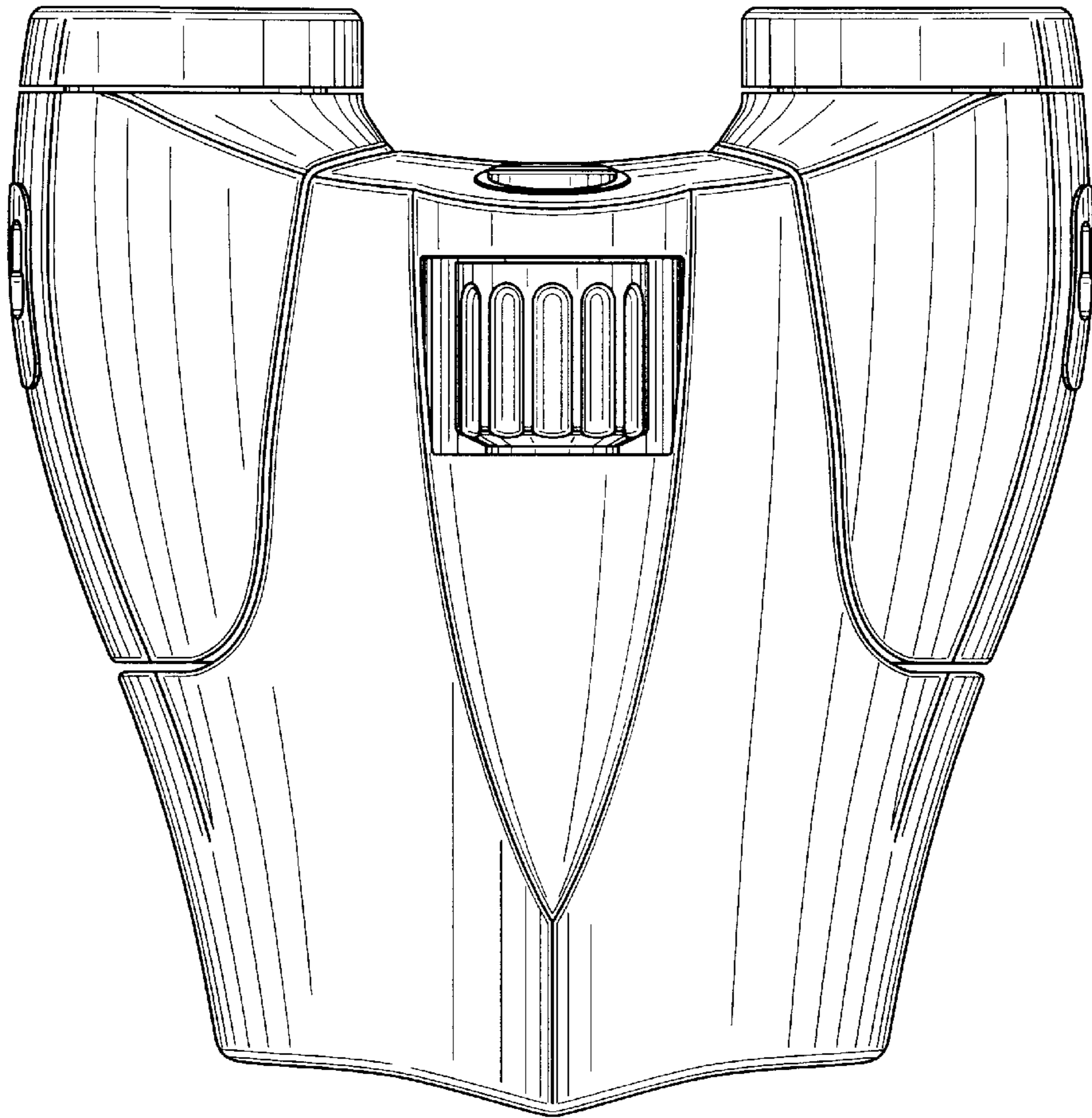


FIG. 4

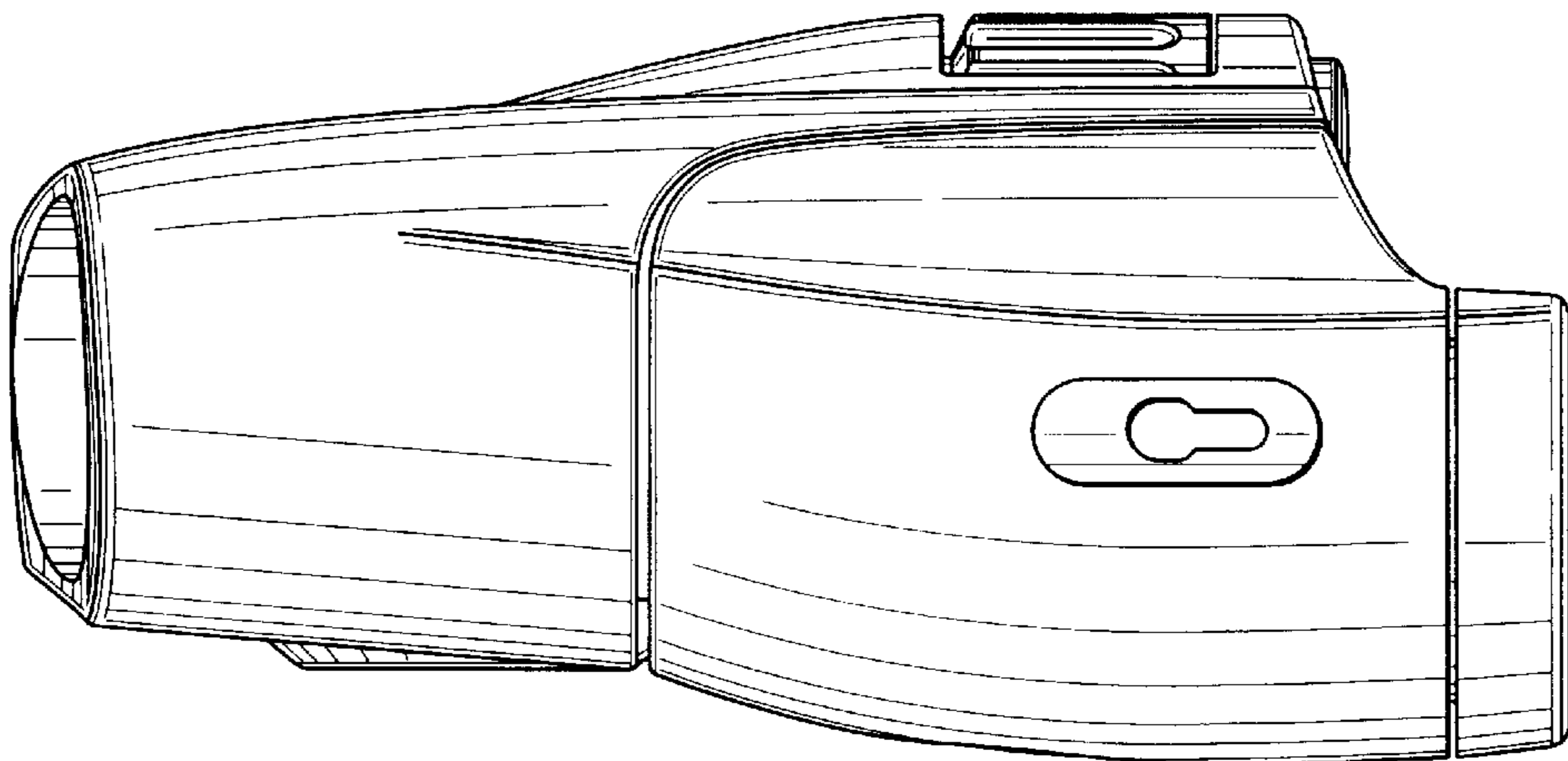


FIG. 5

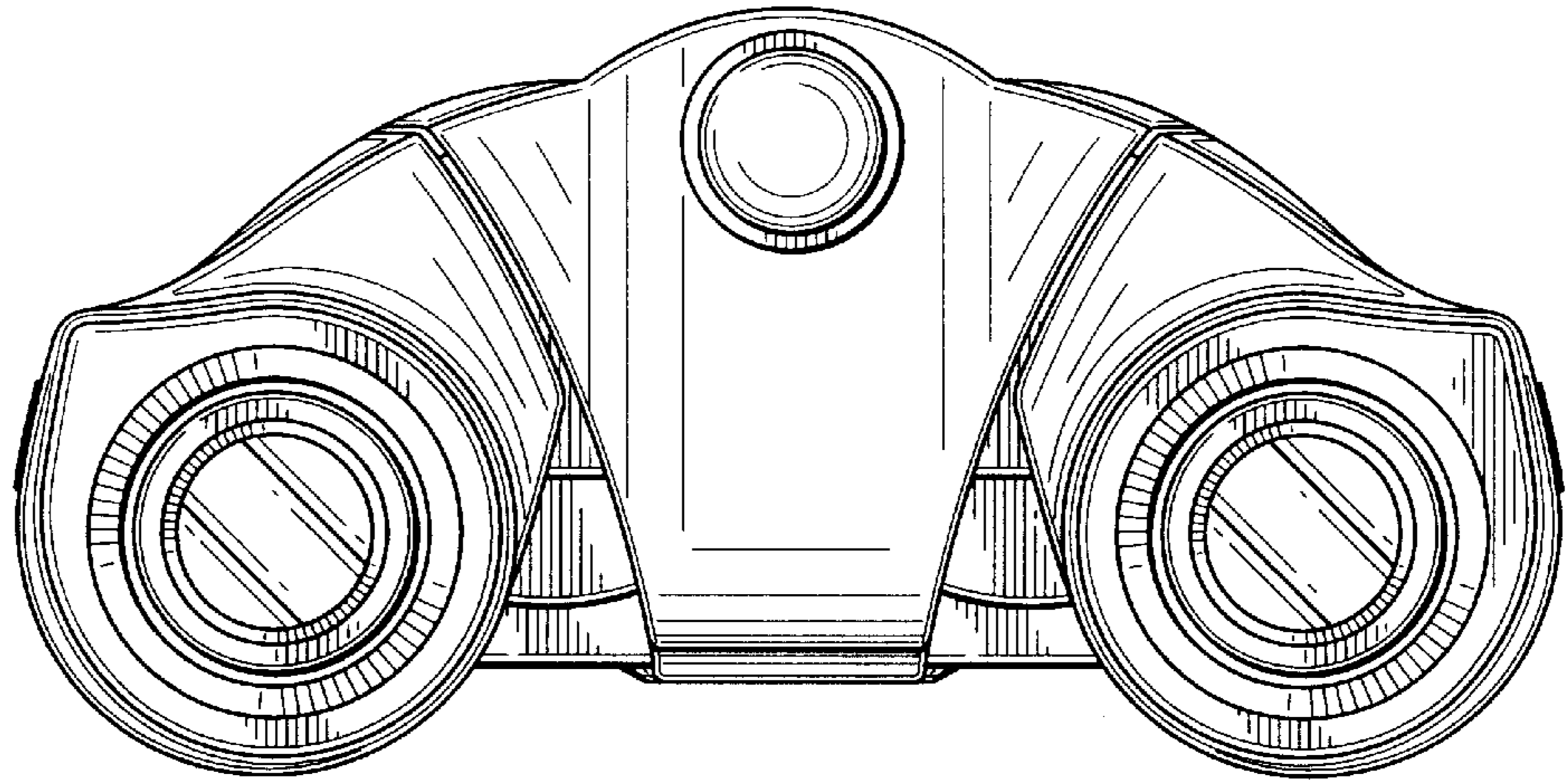


FIG. 6

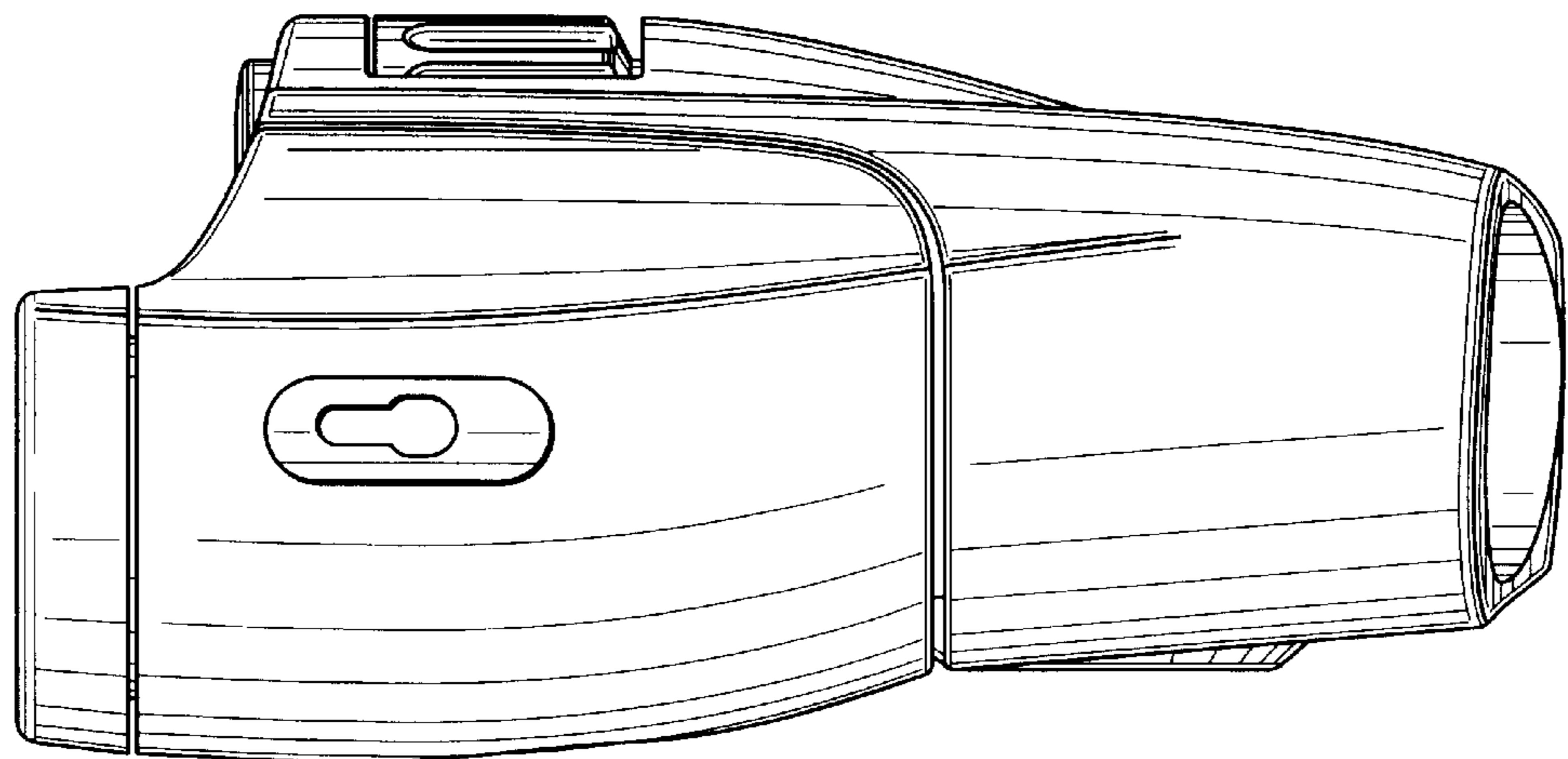


FIG. 7

