



US00D457539S

(12) **United States Design Patent**
Rothlisberger

(10) **Patent No.:** **US D457,539 S**

(45) **Date of Patent:** **** May 21, 2002**

(54) **TRANSMISSION PAN**

(76) **Inventor:** **Roy Rothlisberger**, 14718 Arminta St.,
Van Nuys, CA (US) 91402

(**) **Term:** **14 Years**

(21) **Appl. No.:** **29/149,274**

(22) **Filed:** **Oct. 3, 2001**

(51) **LOC (7) Cl.** **15-09**

(52) **U.S. Cl.** **D15/150**

(58) **Field of Search** D15/150-152;
141/69.1, 105.1, 106, 1.5, 98; 220/271-273,
527, 200, 573; 206/229, 504; 210/138,
143, 167

(56) **References Cited**

U.S. PATENT DOCUMENTS

D248,637 S * 7/1978 Bishop D15/152

D423,531 S * 4/2000 Becker D15/150

* cited by examiner

Primary Examiner—Antoine Duval Davis
(74) *Attorney, Agent, or Firm*—Walter A. Hackler

(57) **CLAIM**

The ornamental design for the transmission pan, as shown and described.

DESCRIPTION

FIG. 1 is a perspective view of the present invention;
FIG. 2 is a top view of the present invention;
FIG. 3 is a bottom view of the present invention;
FIG. 4 is a front elevational view of the present invention;
FIG. 5 is a rear elevational view of the present invention;
FIG. 6 is a right side elevational view of the present invention; and,
FIG. 7 is a left side elevational view of the present invention.
The broken line showing in FIGS. 1-7 is for illustrative purposes only and forms no part of the claimed design.

1 Claim, 3 Drawing Sheets

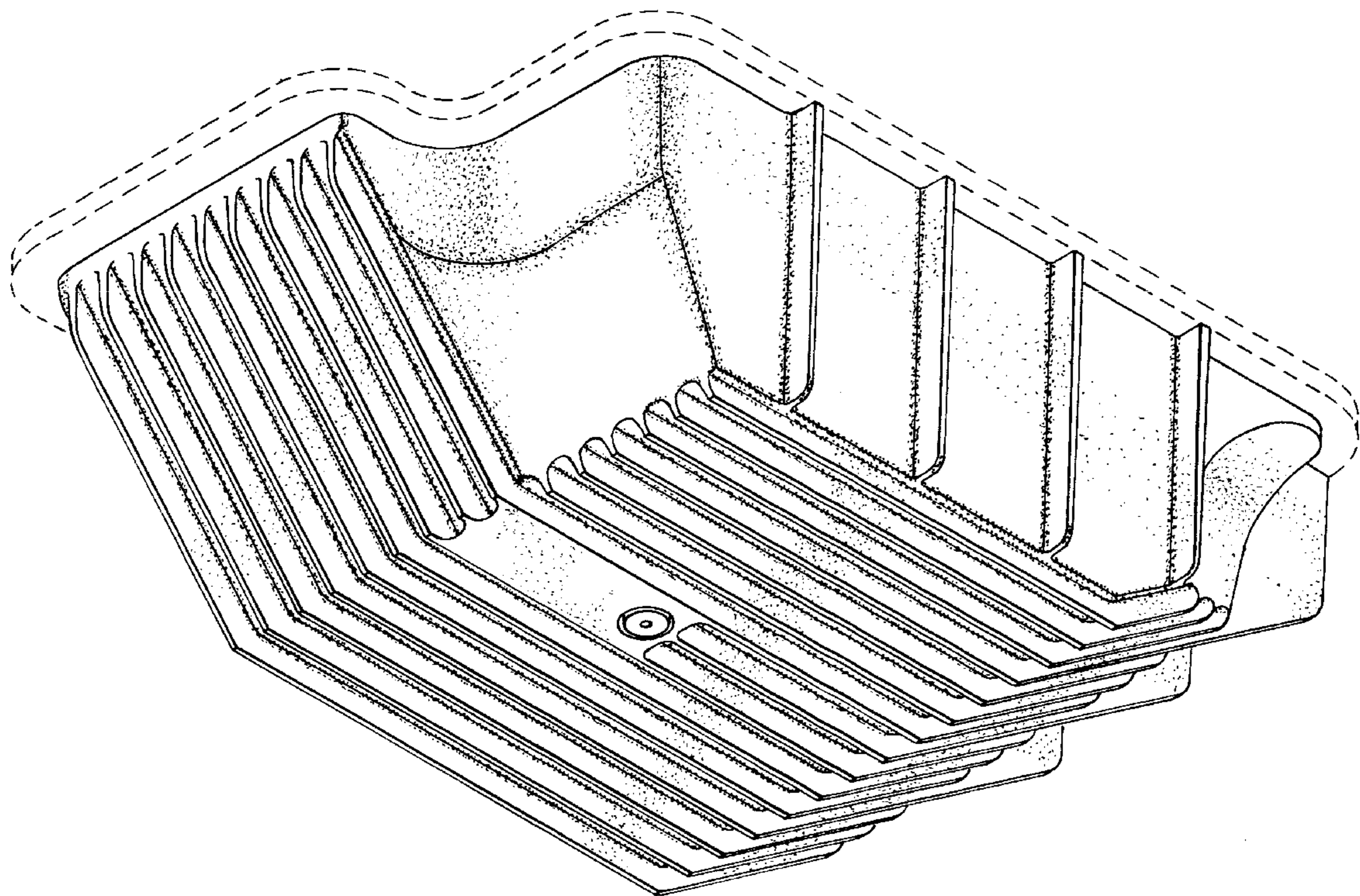
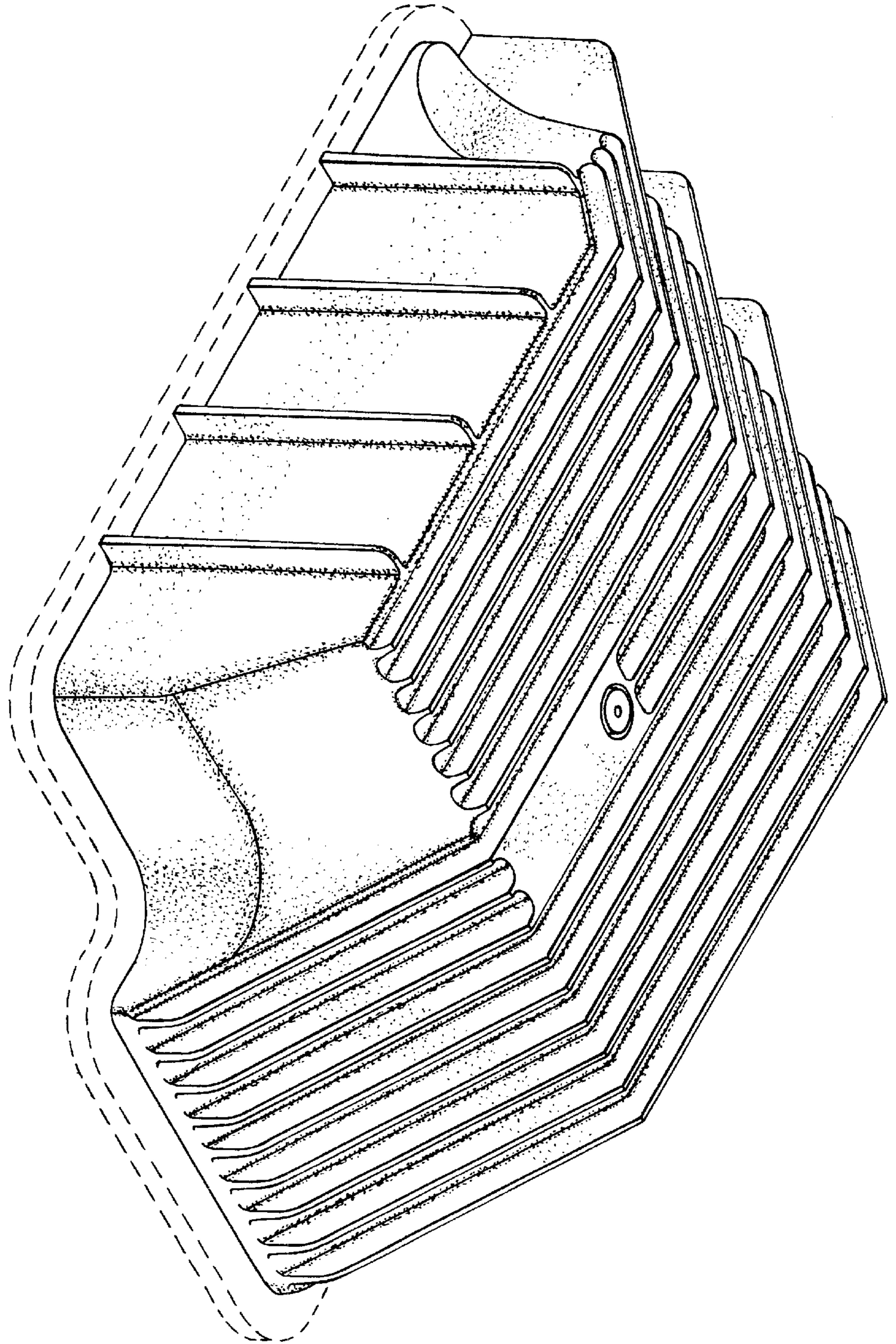


FIG. 1.



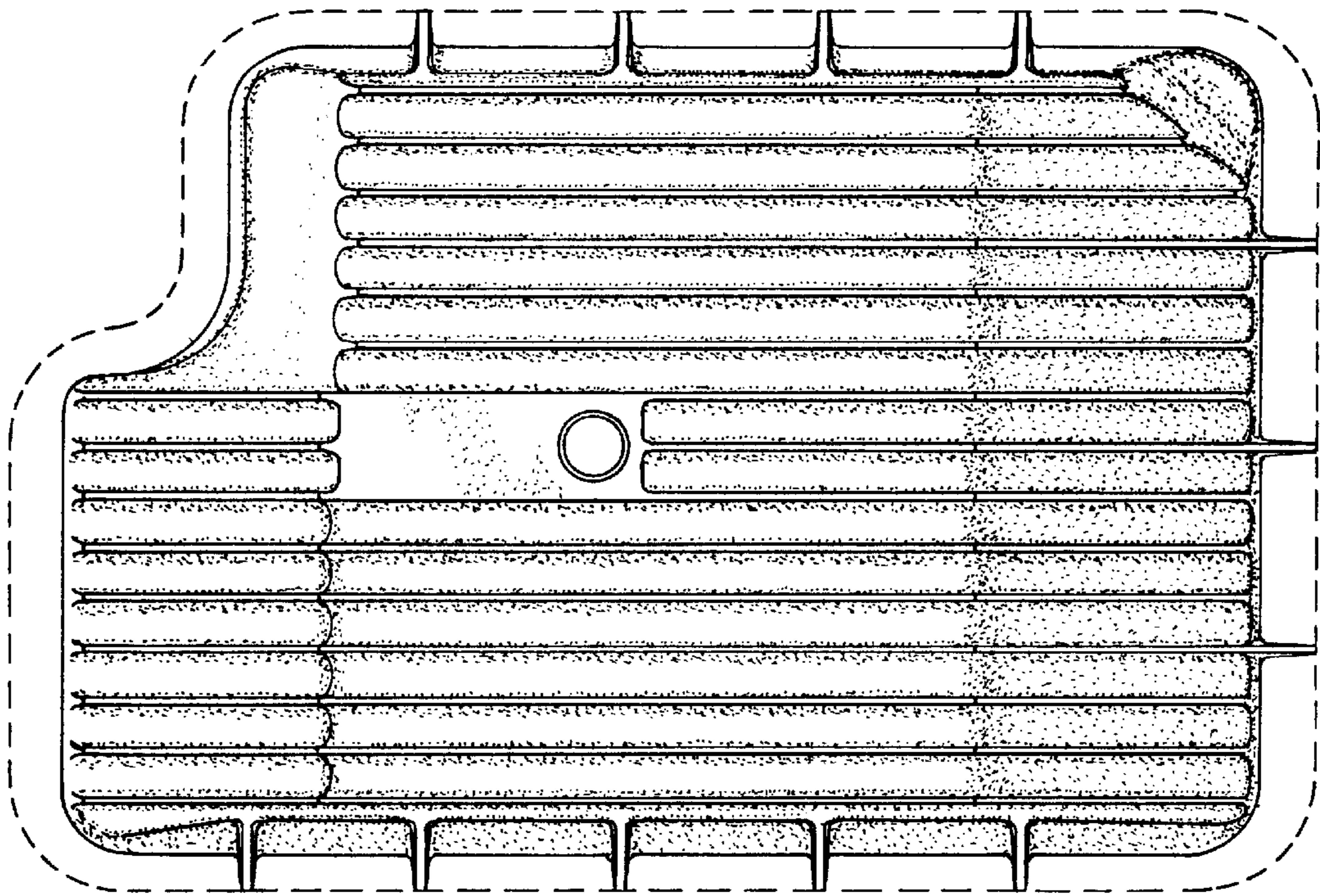


FIG. 2.

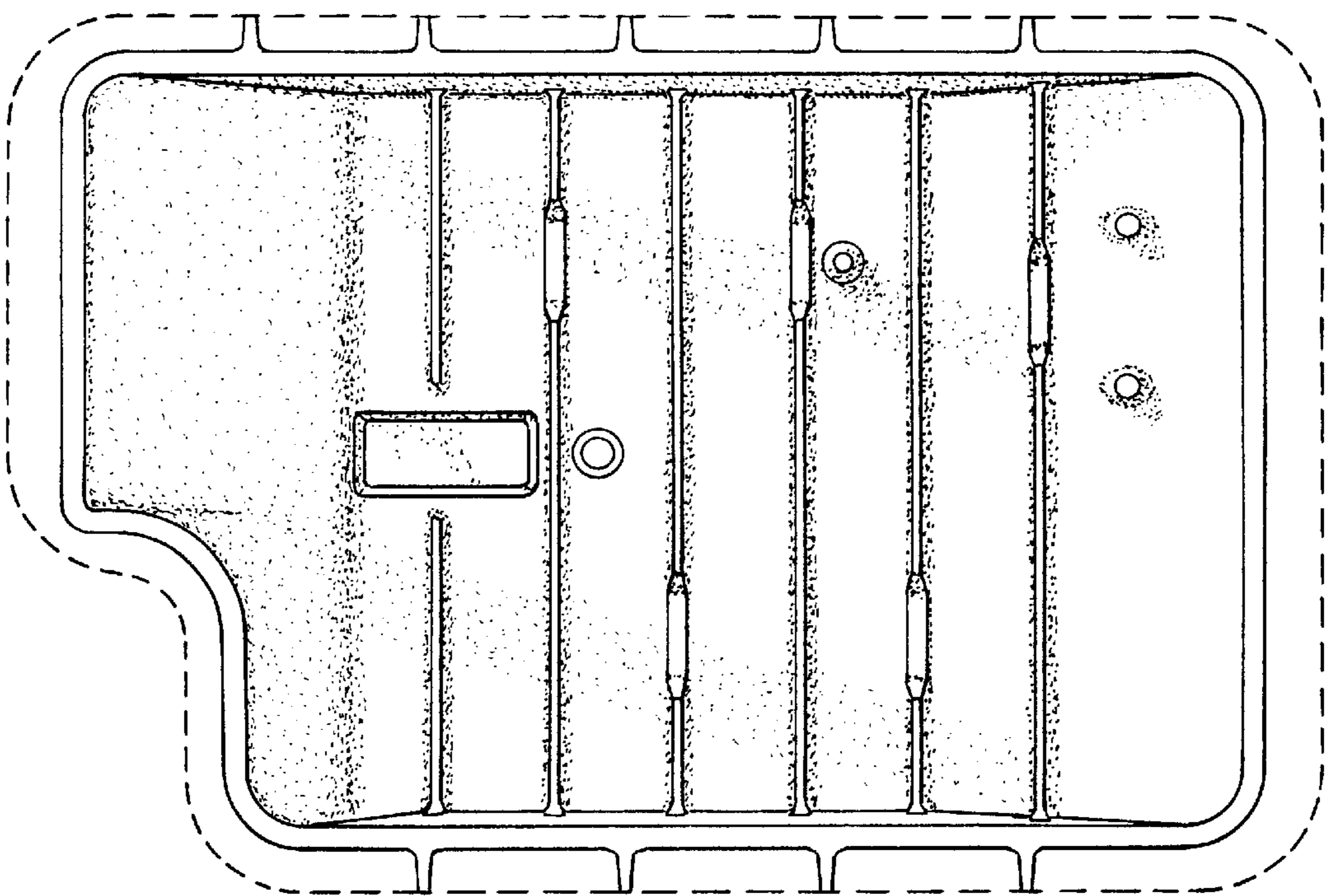


FIG. 3.

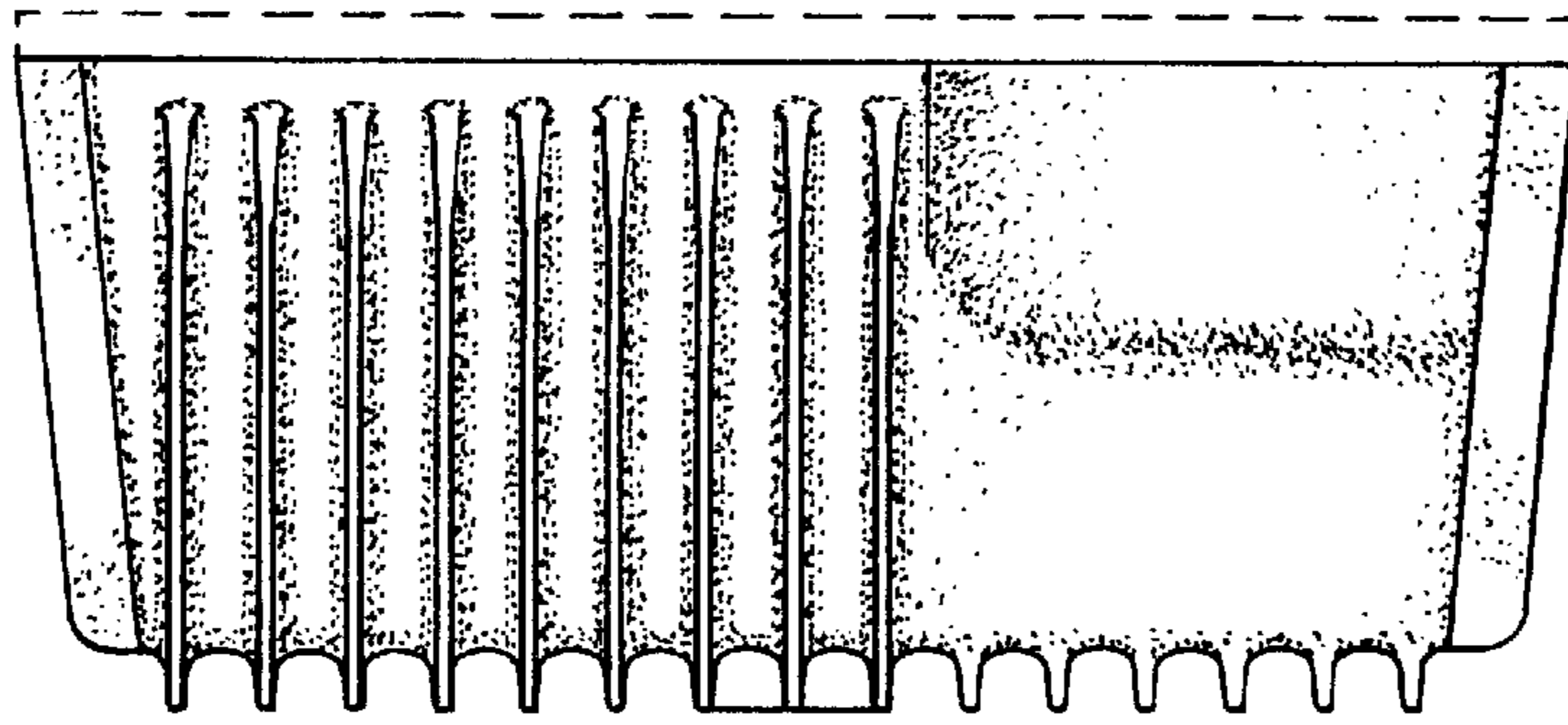


FIG. 4.

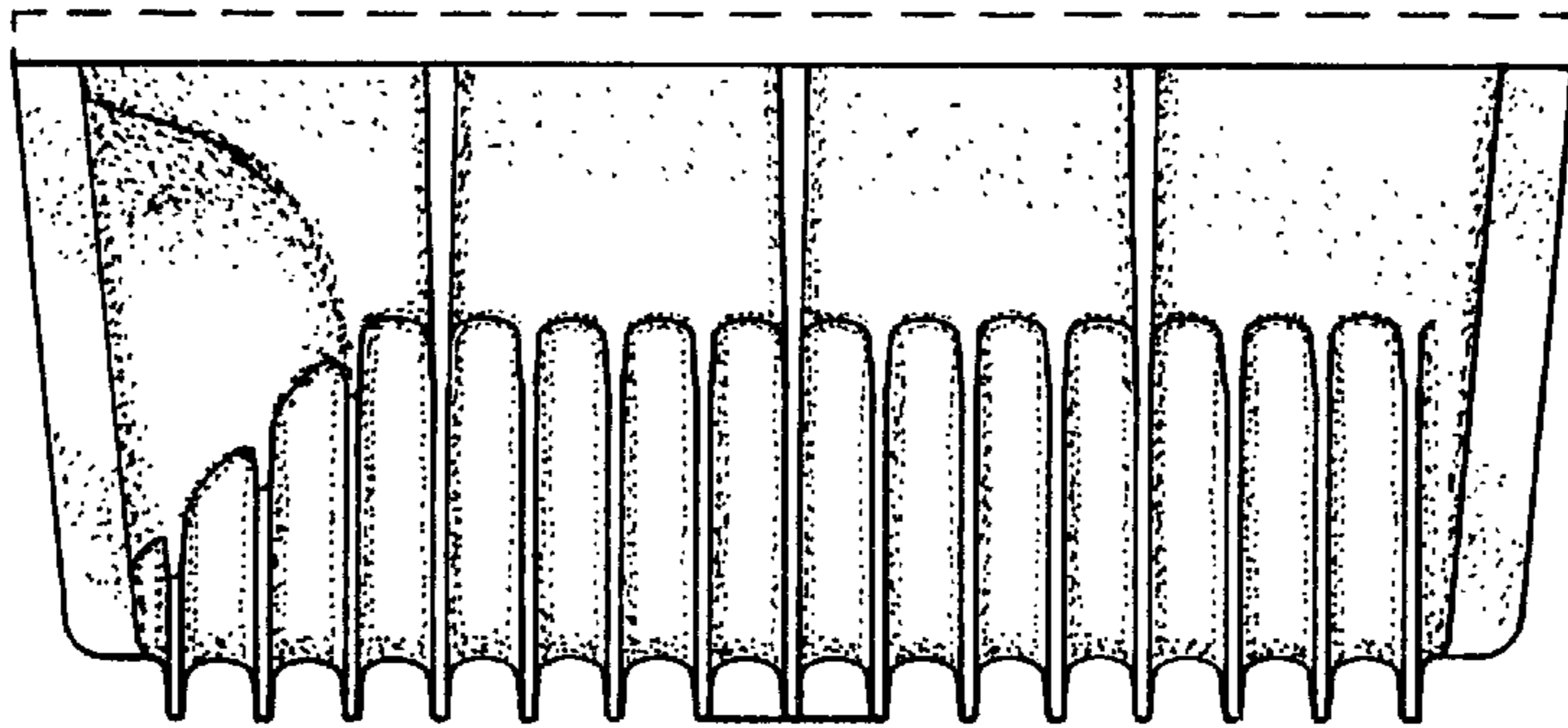


FIG. 5.

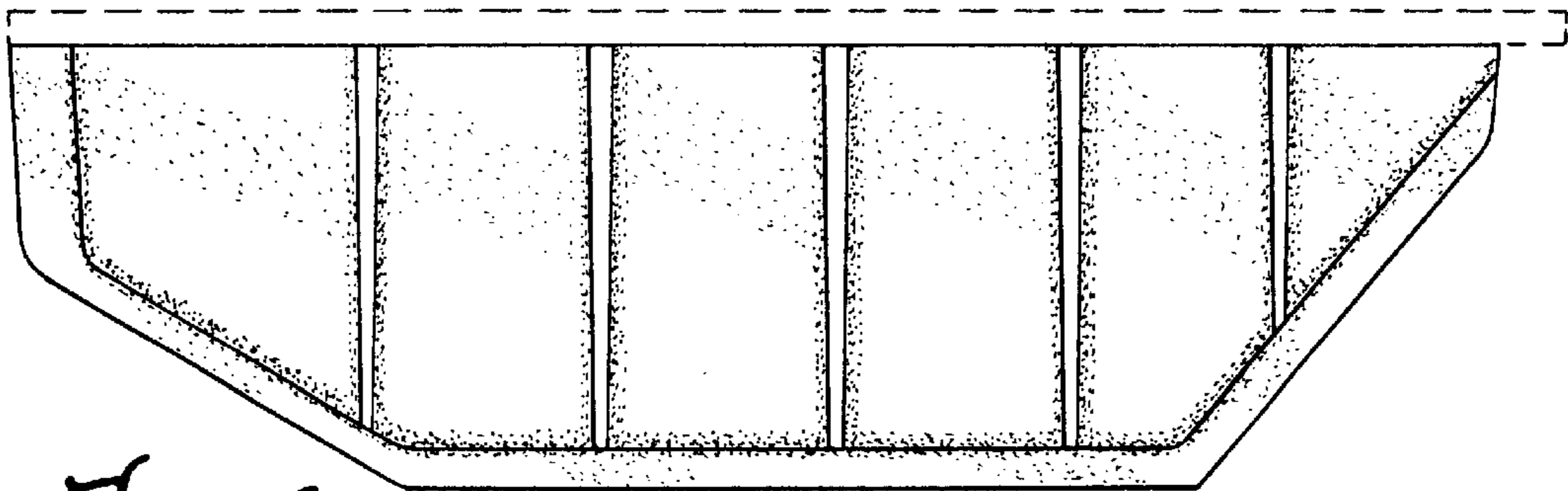


FIG. 6.

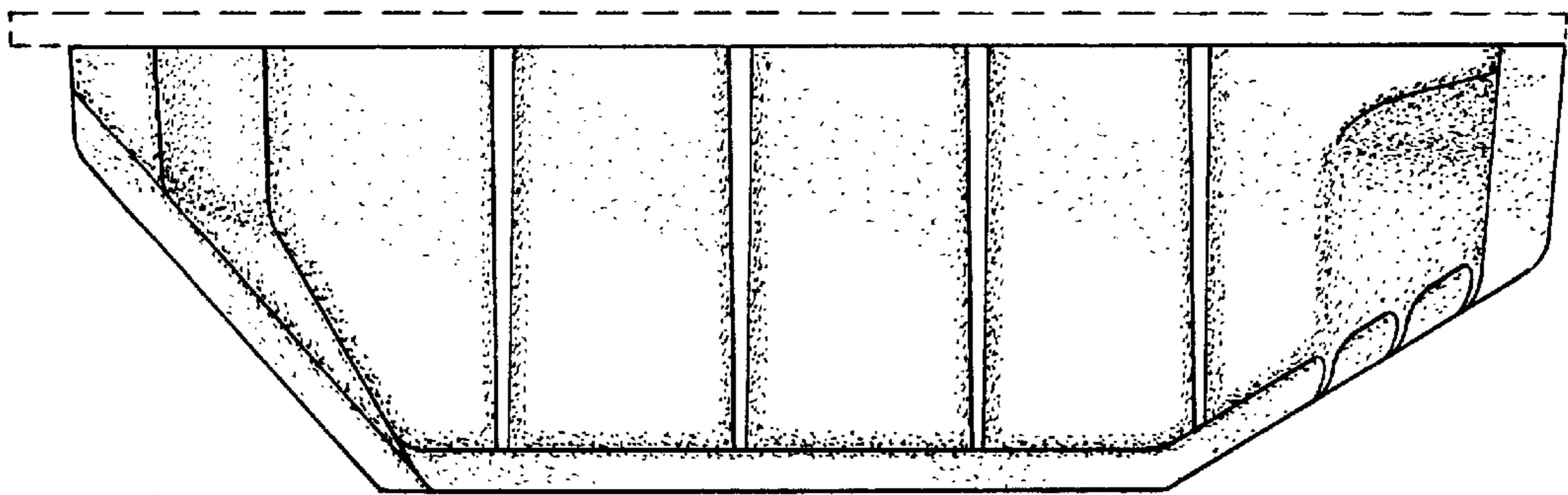


FIG. 7.