



US00D457538S

(12) **United States Design Patent**
Gressett, Jr. et al.

(10) **Patent No.:** **US D457,538 S**
(45) **Date of Patent:** **** May 21, 2002**

- (54) **LIQUID FILAMENT DISPENSING NOZZLE**
- (75) Inventors: **Charles A. Gressett, Jr.**, Norcross;
John M. Riney, Buford; **Laurence B. Saidman**, Duluth; **Paul Schmidt**, Sugar Hill, all of GA (US)
- (73) Assignee: **Nordson Corporation**, Westlake, OH (US)
- (**) Term: **14 Years**
- (21) Appl. No.: **29/138,963**
- (22) Filed: **Mar. 22, 2001**
- (51) **LOC (7) Cl.** **15-09**
- (52) **U.S. Cl.** **D15/144**
- (58) **Field of Search** D15/144, 144.1, D15/144.2; 239/135, 424.5, 533.4, 533.6, 533.9; 222/1, 309, 504

(56) **References Cited**

U.S. PATENT DOCUMENTS

- 6,056,155 A 5/2000 Byerly et al. 222/1
- 6,149,076 A * 11/2000 Riney 239/135

* cited by examiner

Primary Examiner—Antoine Duval Davis

(74) *Attorney, Agent, or Firm*—Wood, Herron & Evans, L.L.P.

(57) **CLAIM**

The ornamental design for a liquid filament dispensing nozzle, as shown and described.

DESCRIPTION

FIG. 1 is a bottom perspective view of the liquid filament dispensing nozzle illustrated as a first embodiment of the invention;

FIG. 2 is a front view of FIG. 1, the rear view being the same as the front view;

FIG. 3 is a right side view of FIG. 1, the left side view being a mirror image of the right side view;

FIG. 4 is a bottom view of FIG. 1;

FIG. 5 is a top view of FIG. 1;

FIG. 6 is a bottom perspective view of a second embodiment of the invention;

FIG. 7 is a front view of FIG. 6, the rear view being the same as the front view of FIG. 6;

FIG. 8 is a right side view of FIG. 6;

FIG. 9 is a left side view of FIG. 6;

FIG. 10 is a bottom view of FIG. 6;

FIG. 11 is a top view of FIG. 6;

FIG. 12 is a bottom perspective view of a third embodiment of the invention;

FIG. 13 is a front view of FIG. 12, the rear view being the same as the front view of FIG. 12;

FIG. 14 is a right side view of FIG. 12, the left side view being a mirror image of the right side view;

FIG. 15 is a bottom view of FIG. 12;

FIG. 16 is a top view of FIG. 12;

FIG. 17 is a bottom perspective view of a fourth embodiment of the invention;

FIG. 18 is a front view of FIG. 17, the rear view being the same as the front view of FIG. 17;

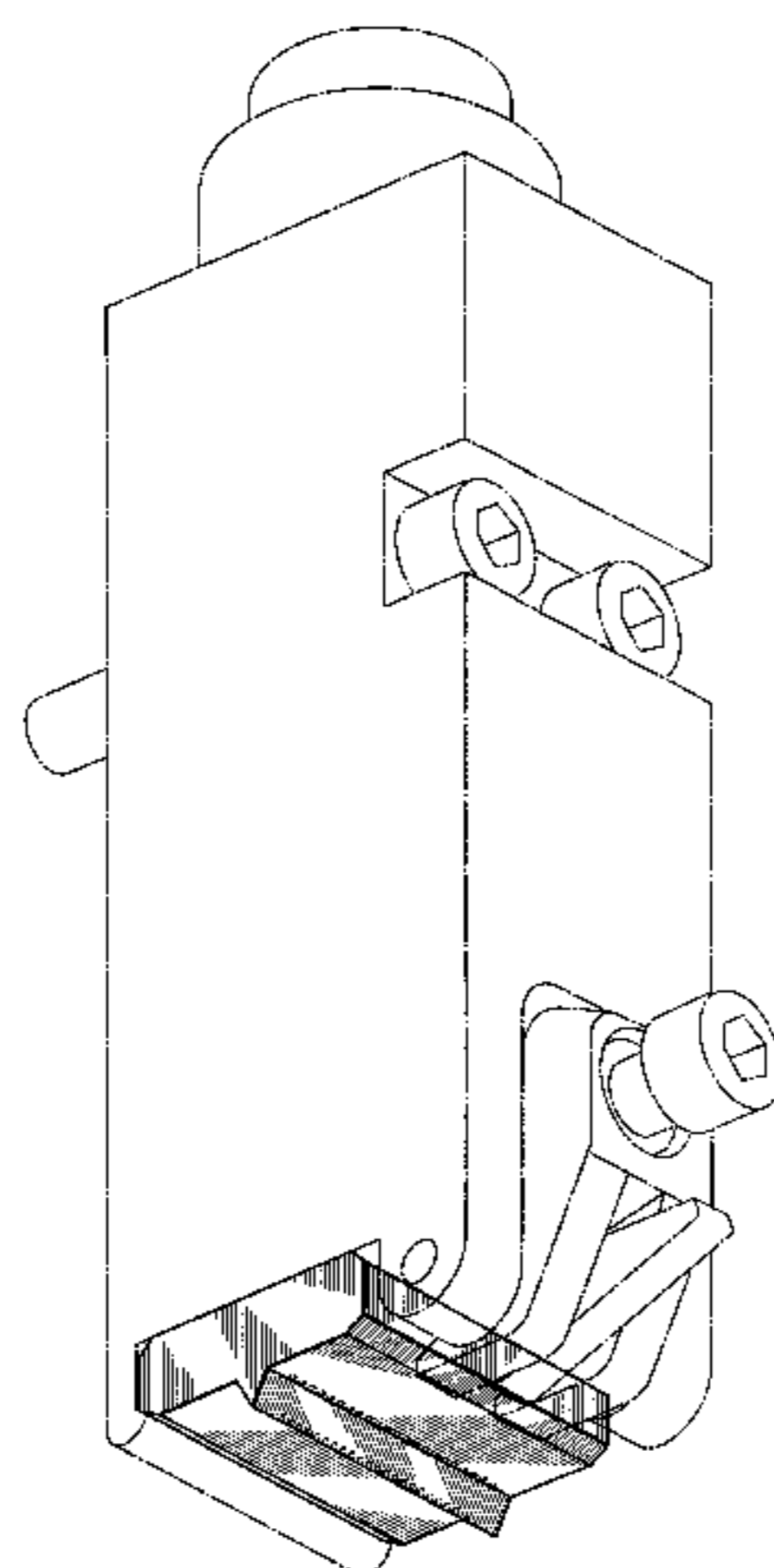
FIG. 19 is a right side view of FIG. 17, the left side view being a mirror image of the right side view;

FIG. 20 is a bottom view of FIG. 17; and,

FIG. 21 is a top view of FIG. 17.

The elements shown in dash-dot lines form no part of the claimed invention, and are instead included to show environmental aspects of the claimed invention.

1 Claim, 8 Drawing Sheets



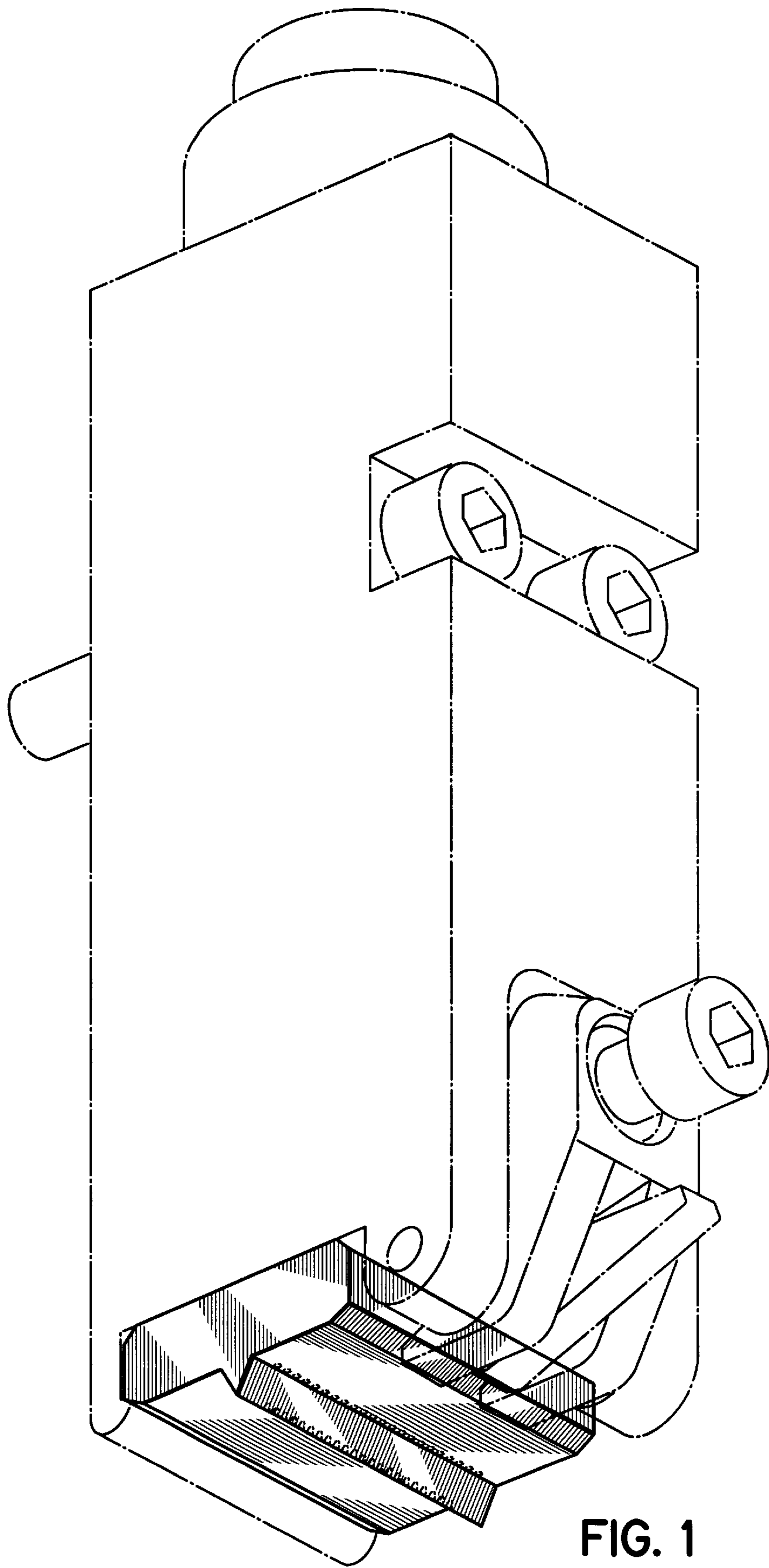


FIG. 1

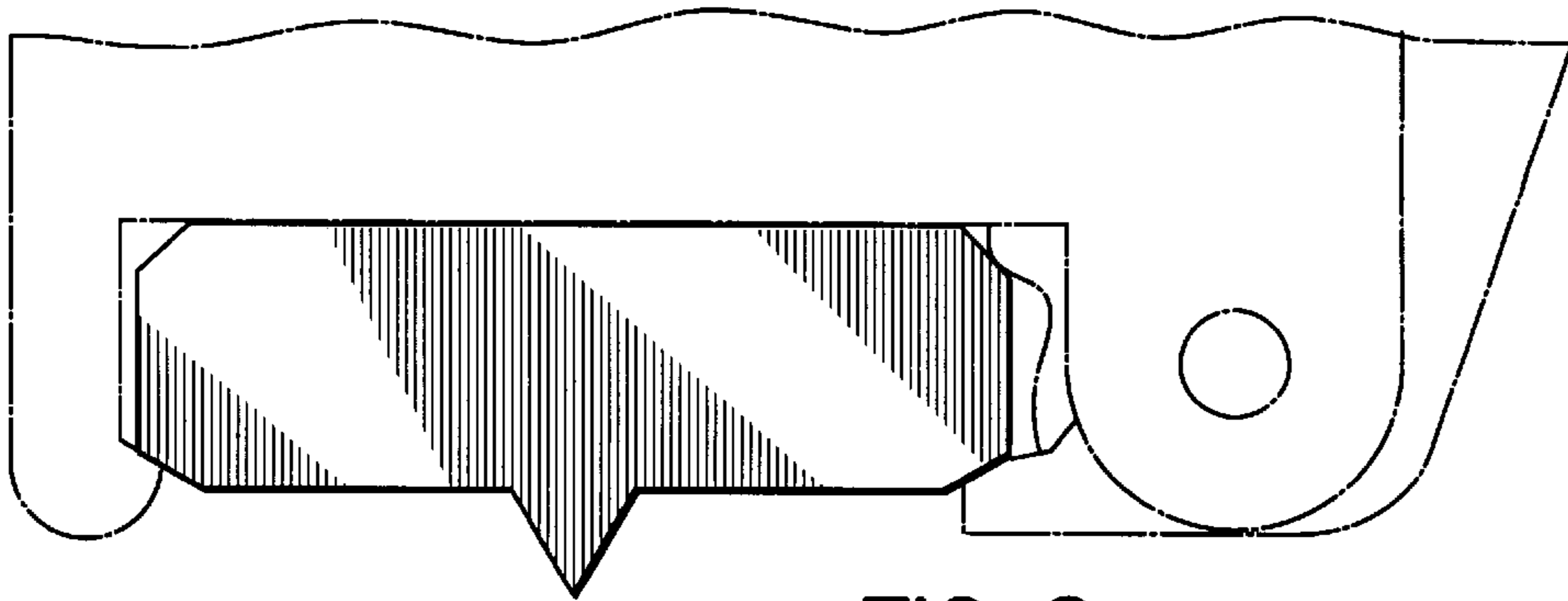


FIG. 2

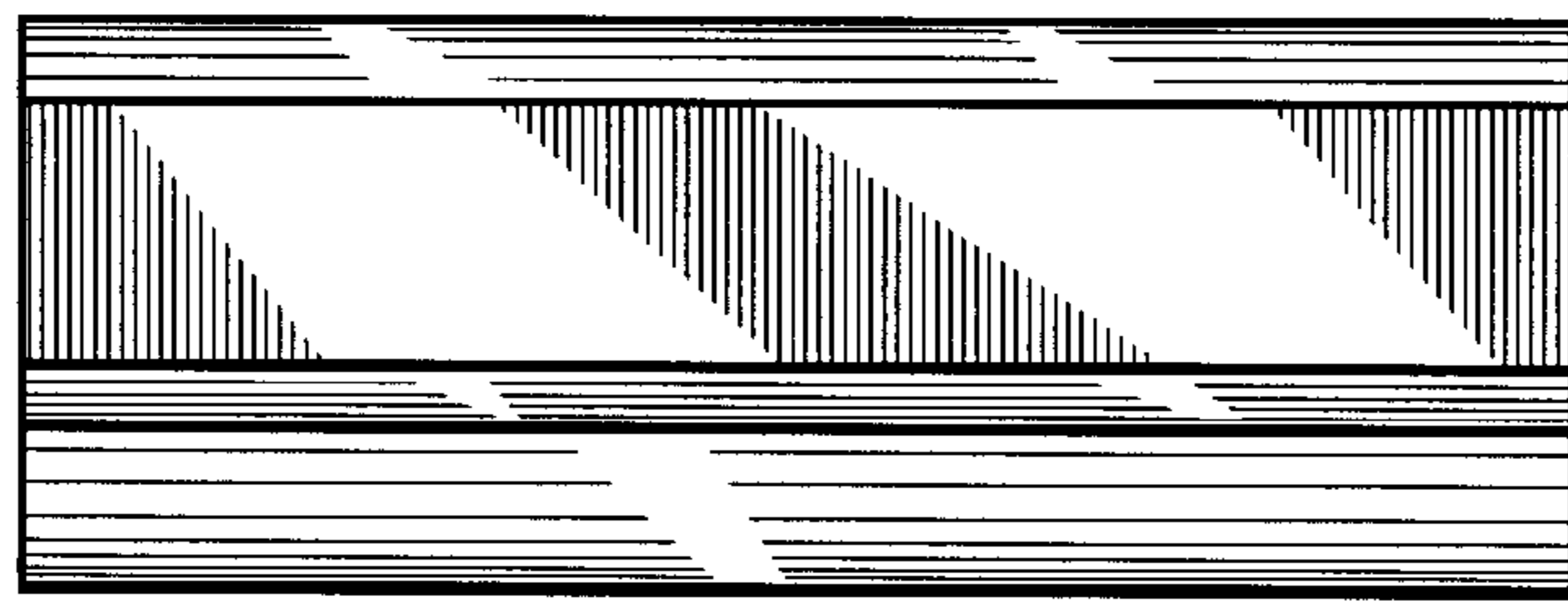


FIG. 3

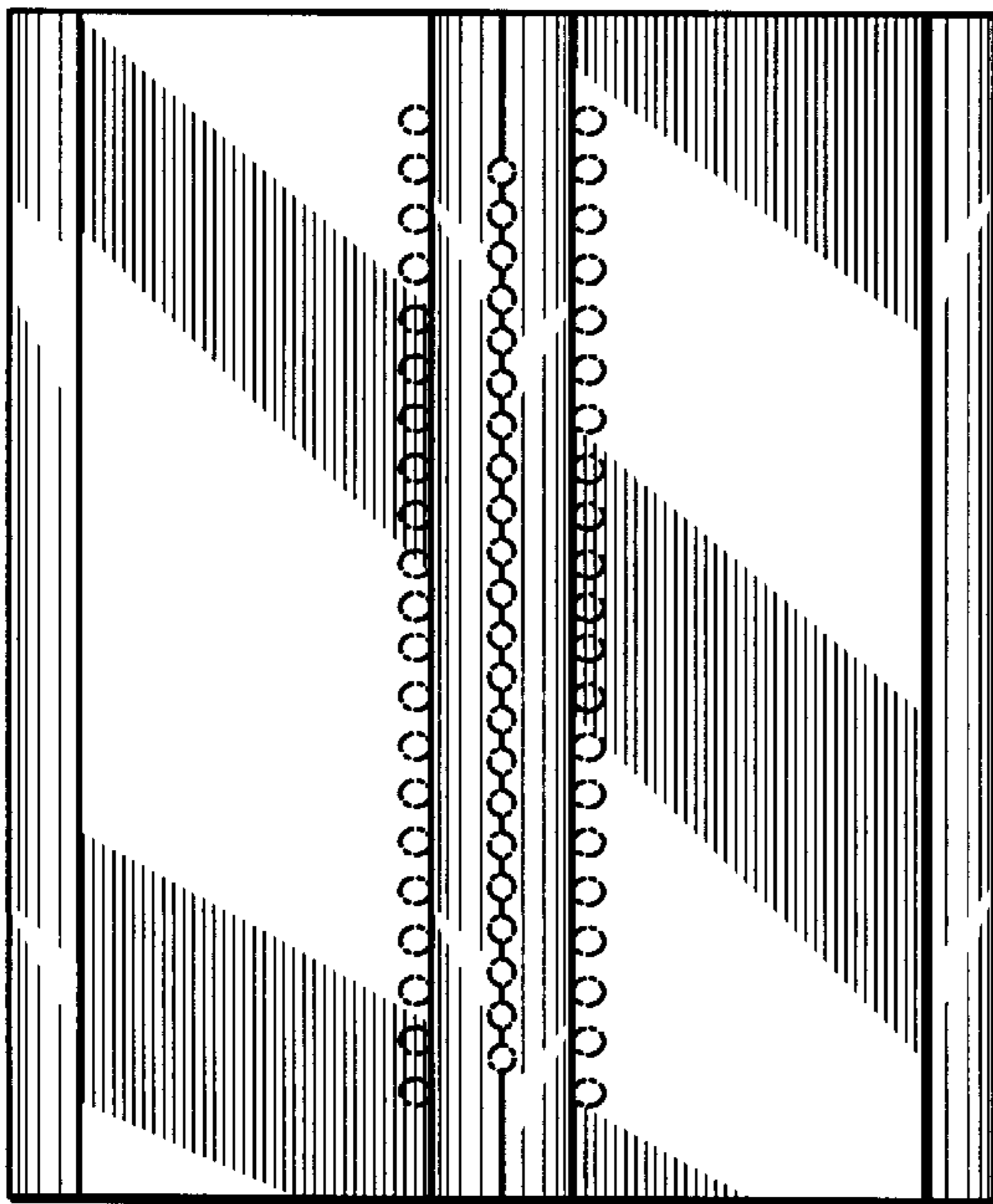


FIG. 4

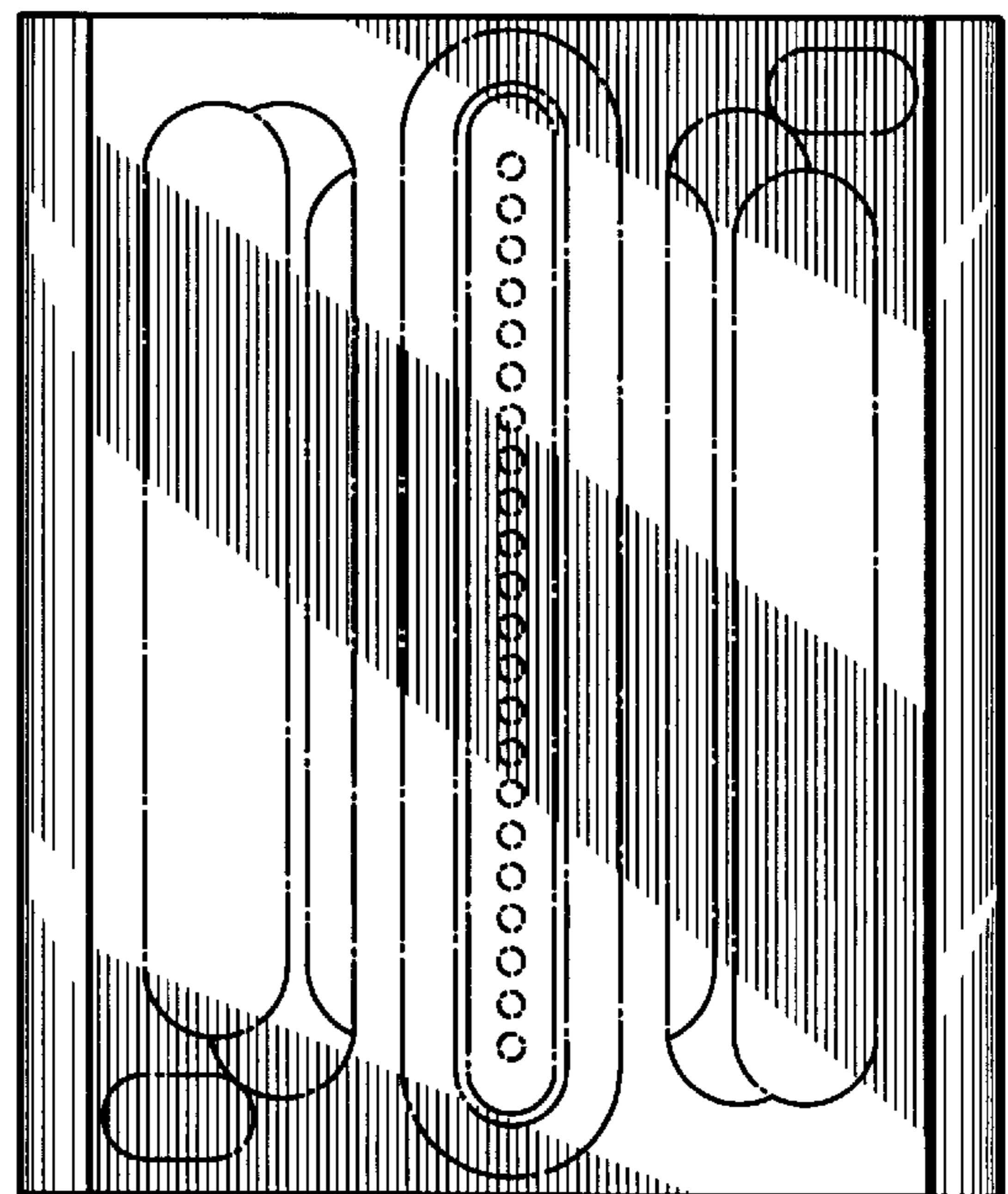


FIG. 5

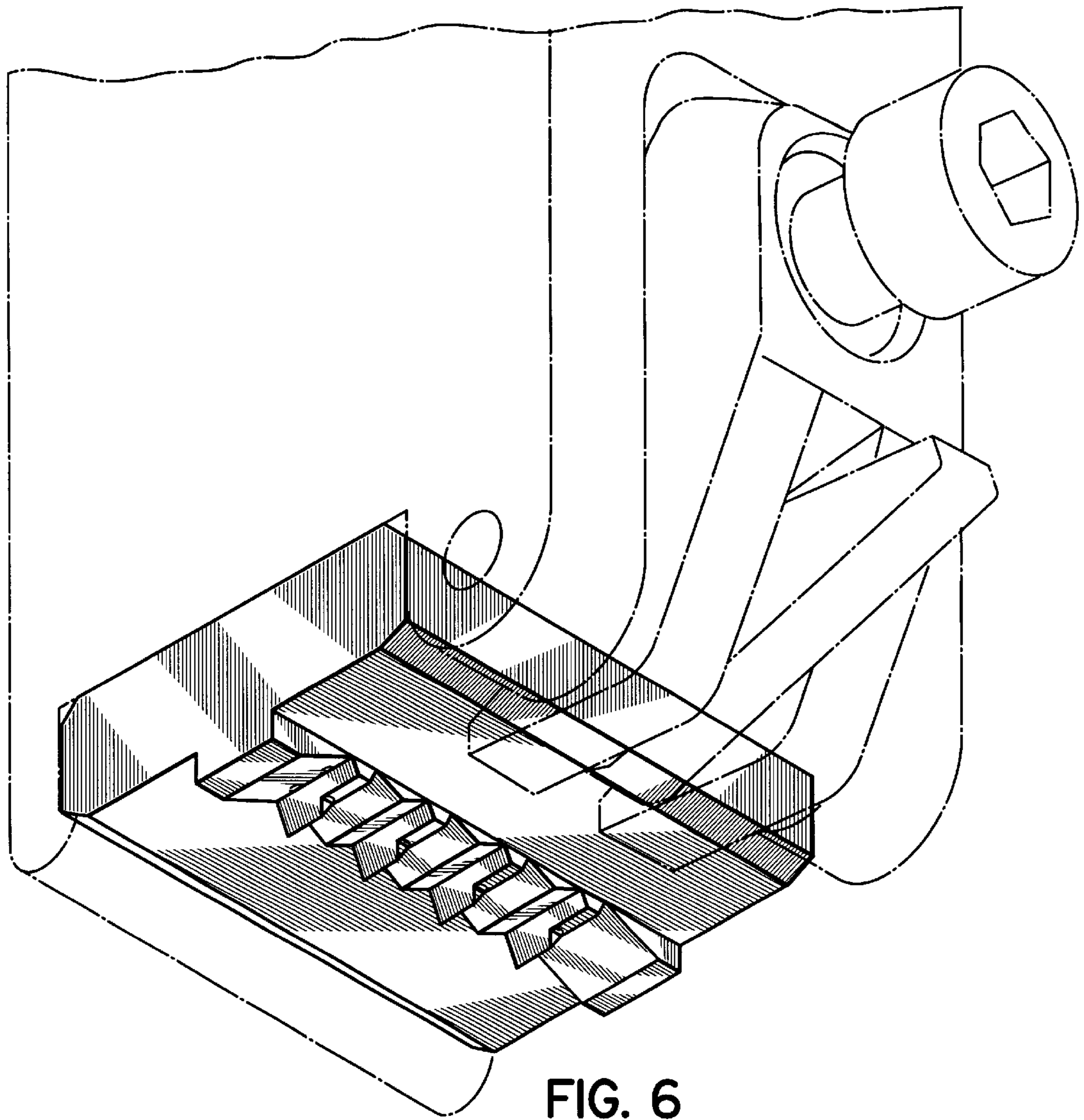


FIG. 6

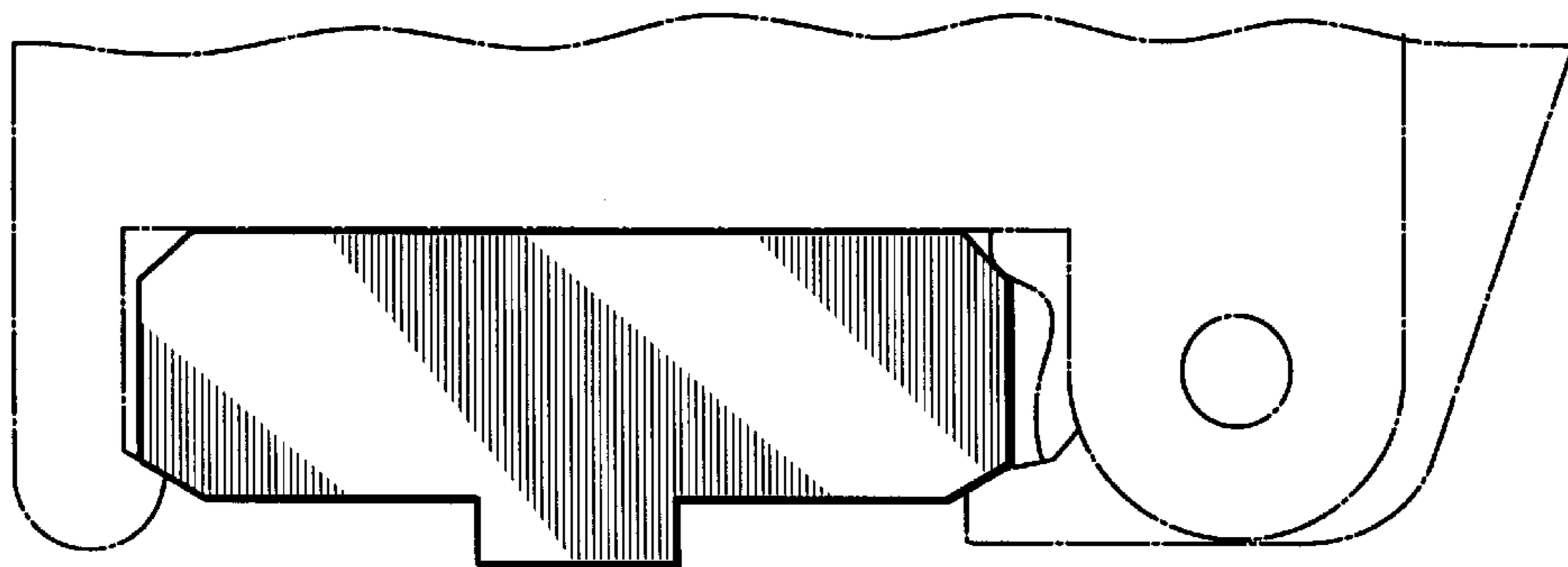


FIG. 7

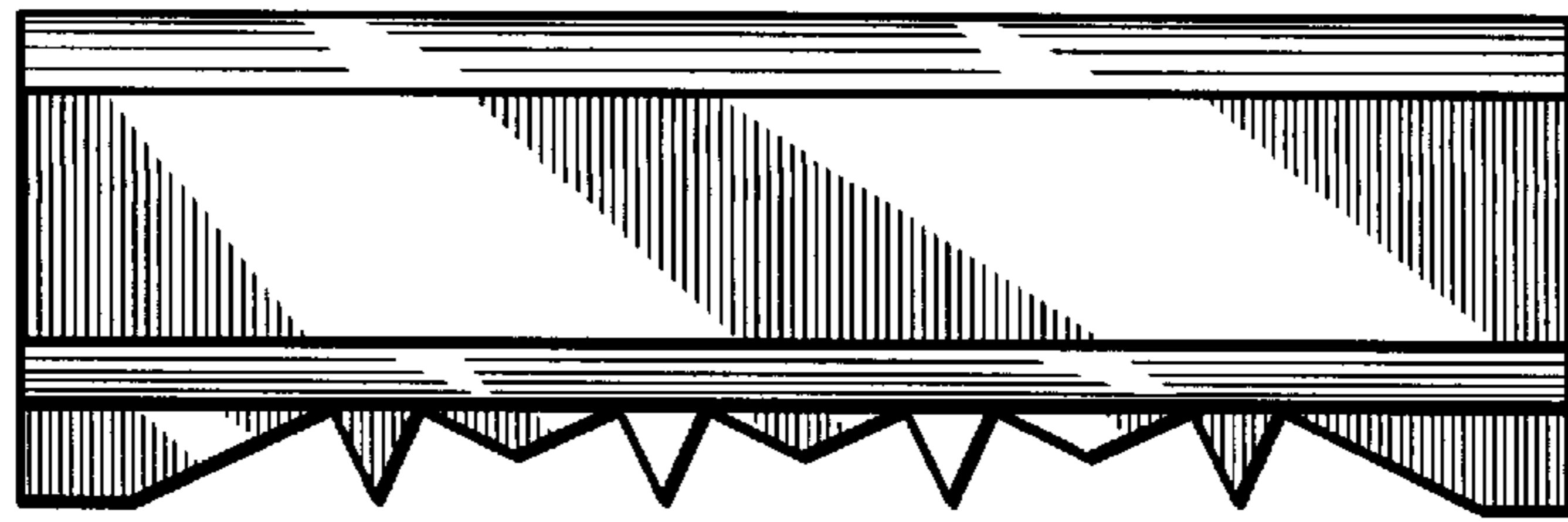


FIG. 8

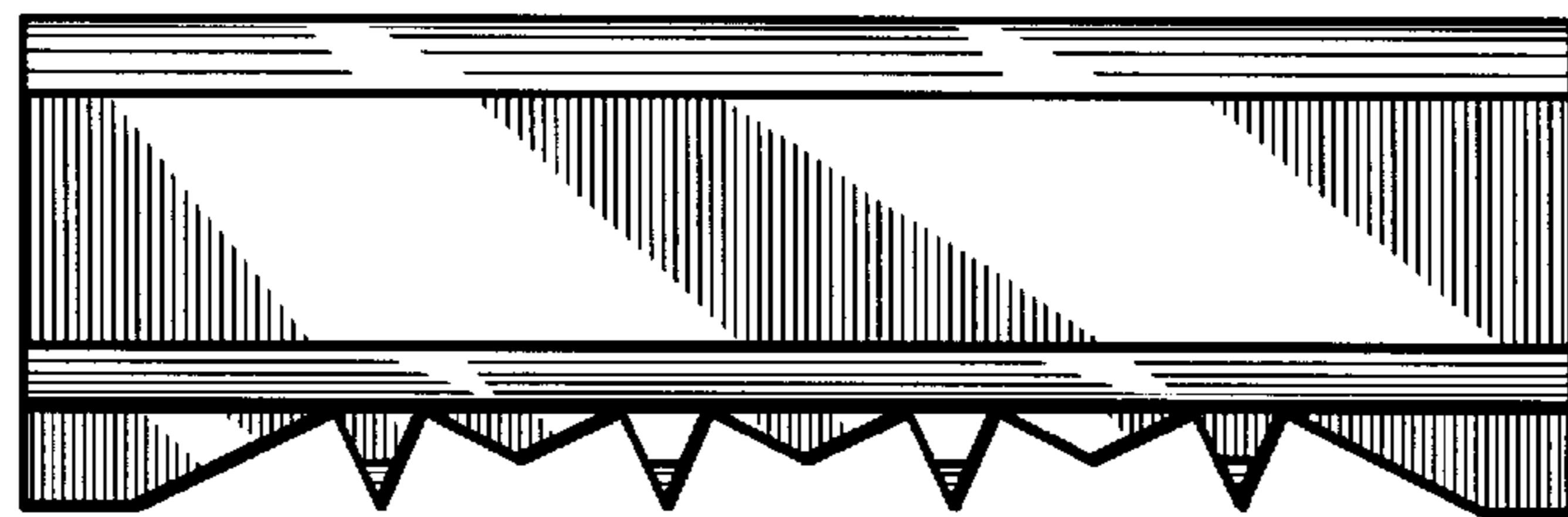


FIG. 9

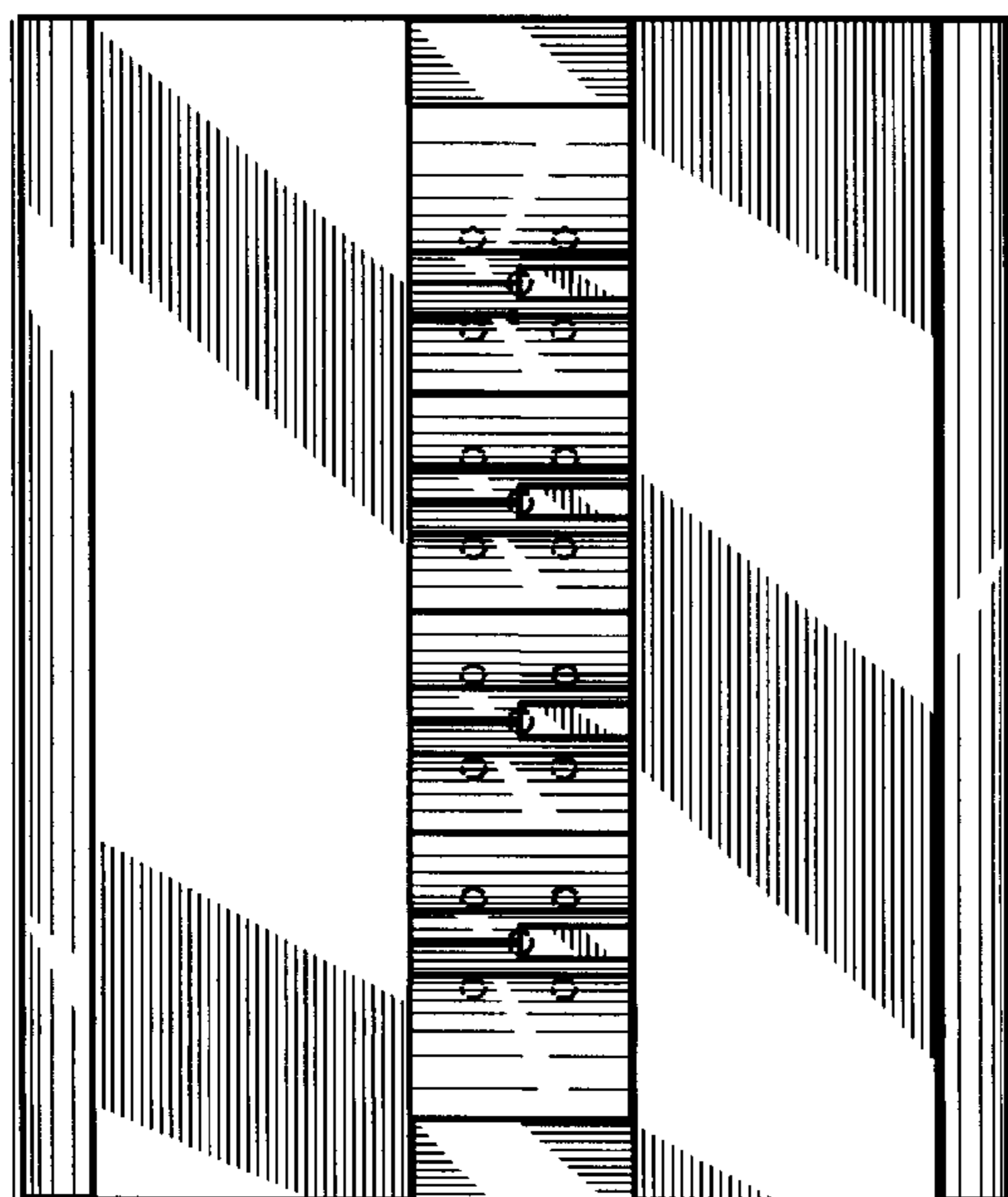


FIG. 10

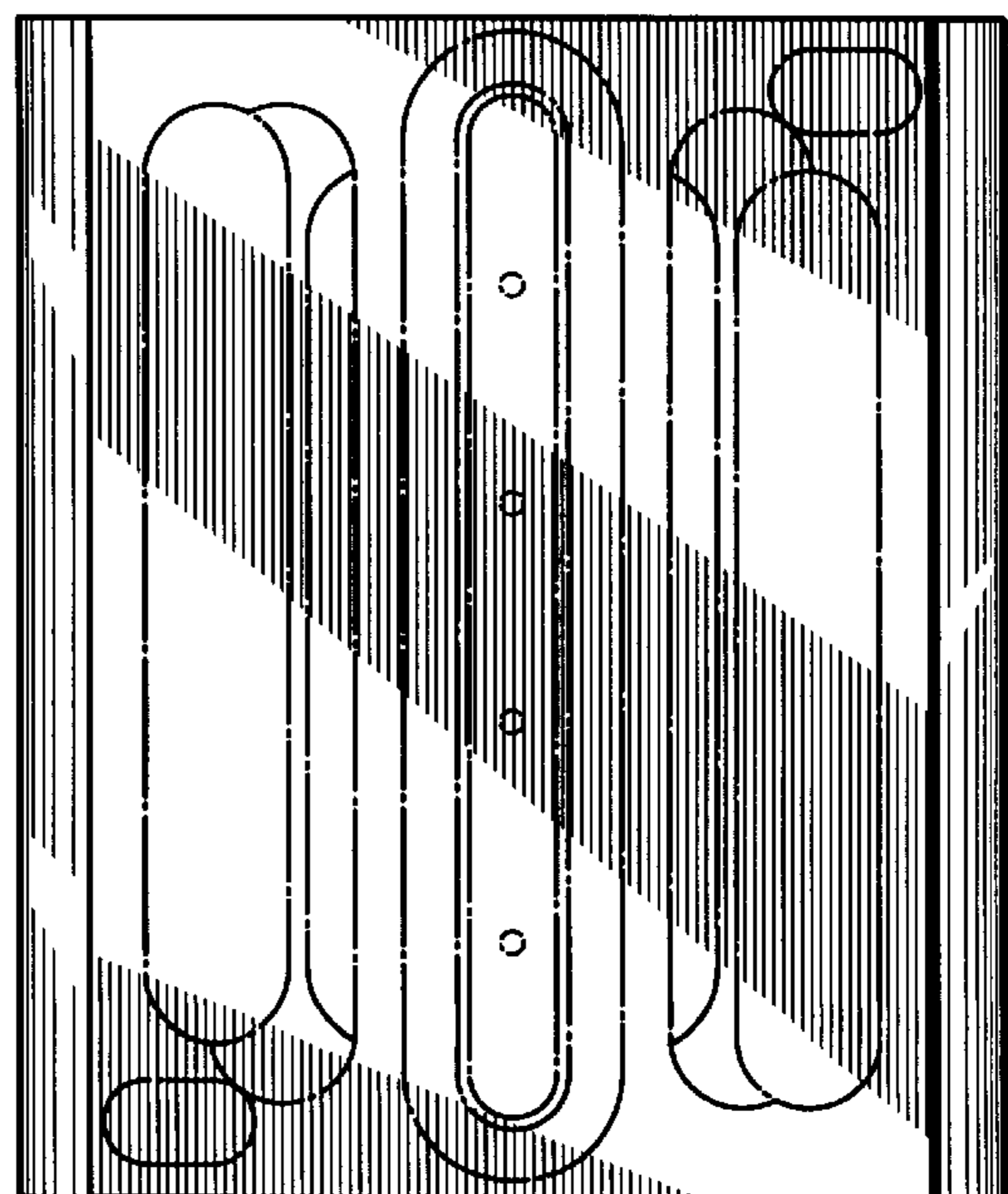


FIG. 11

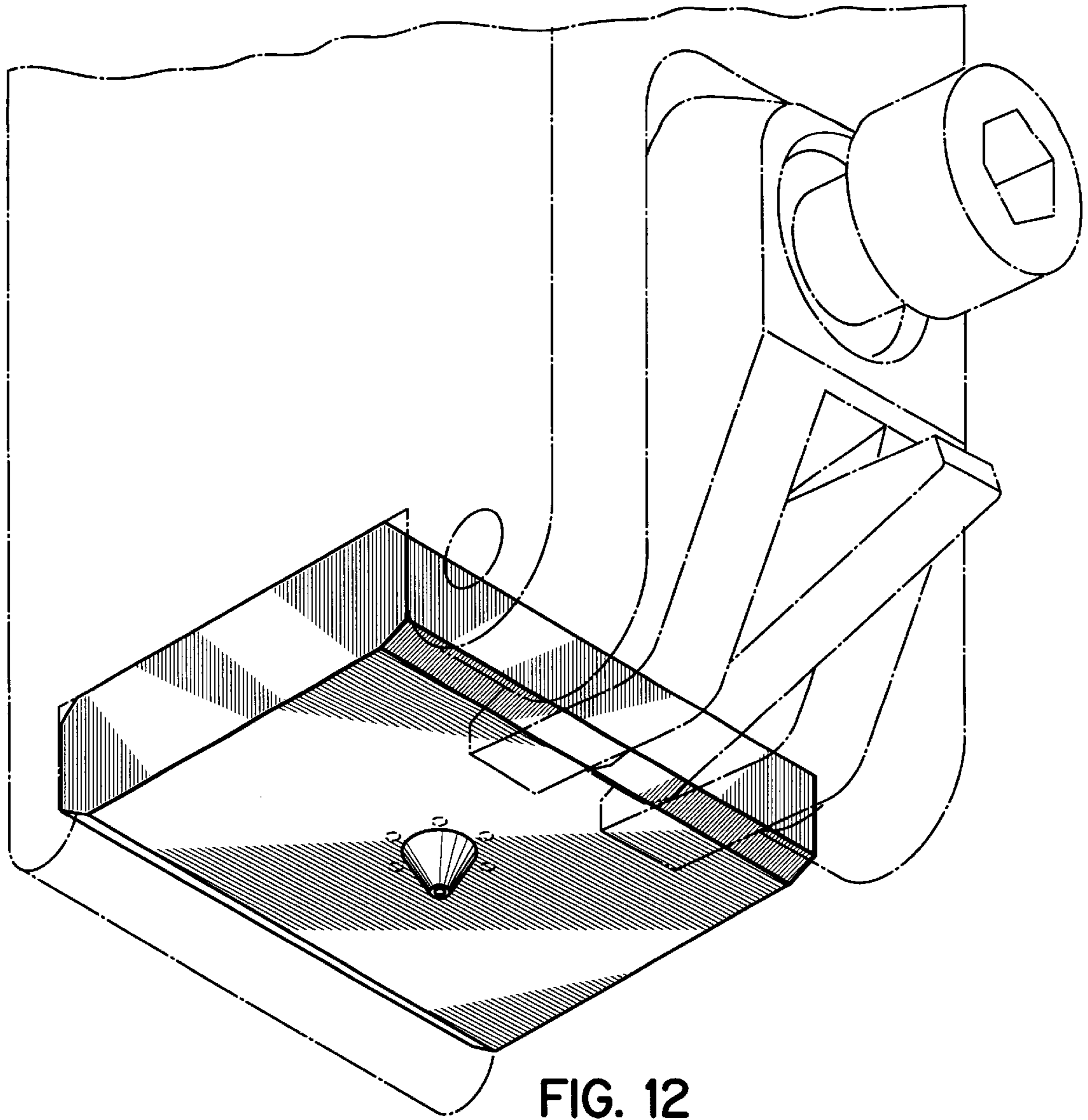


FIG. 12

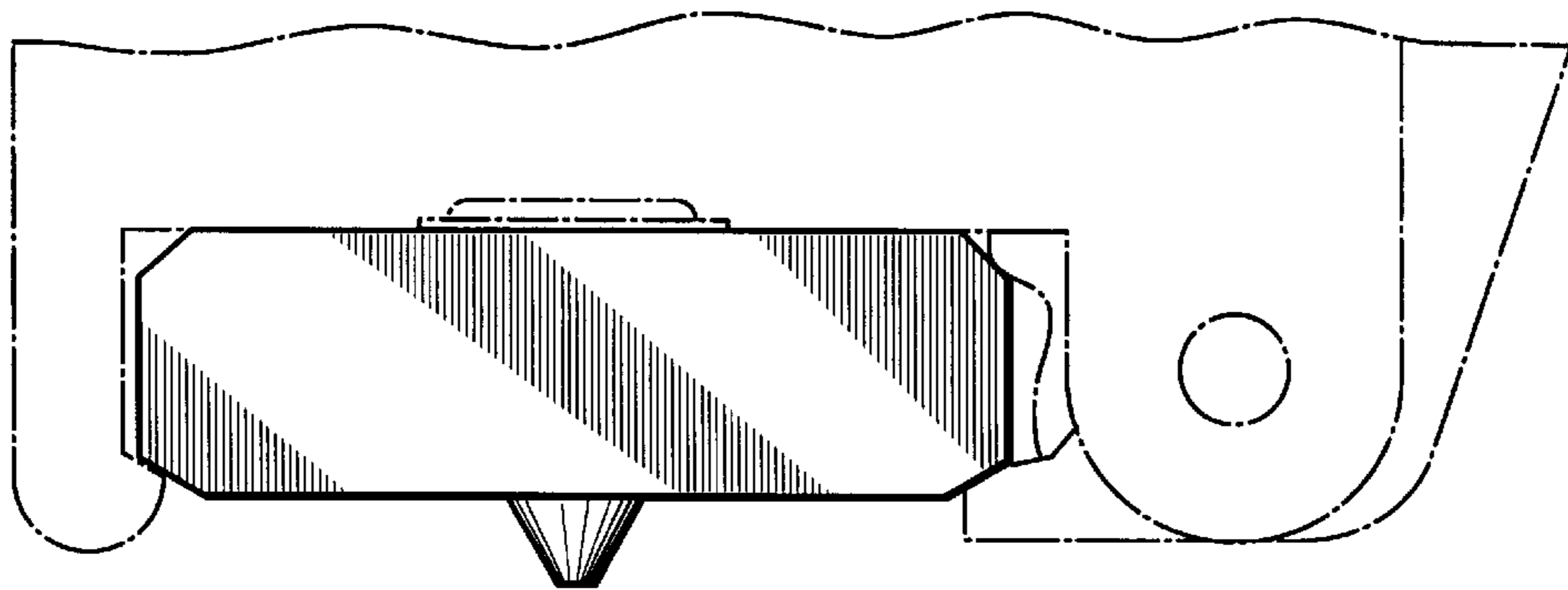


FIG. 13

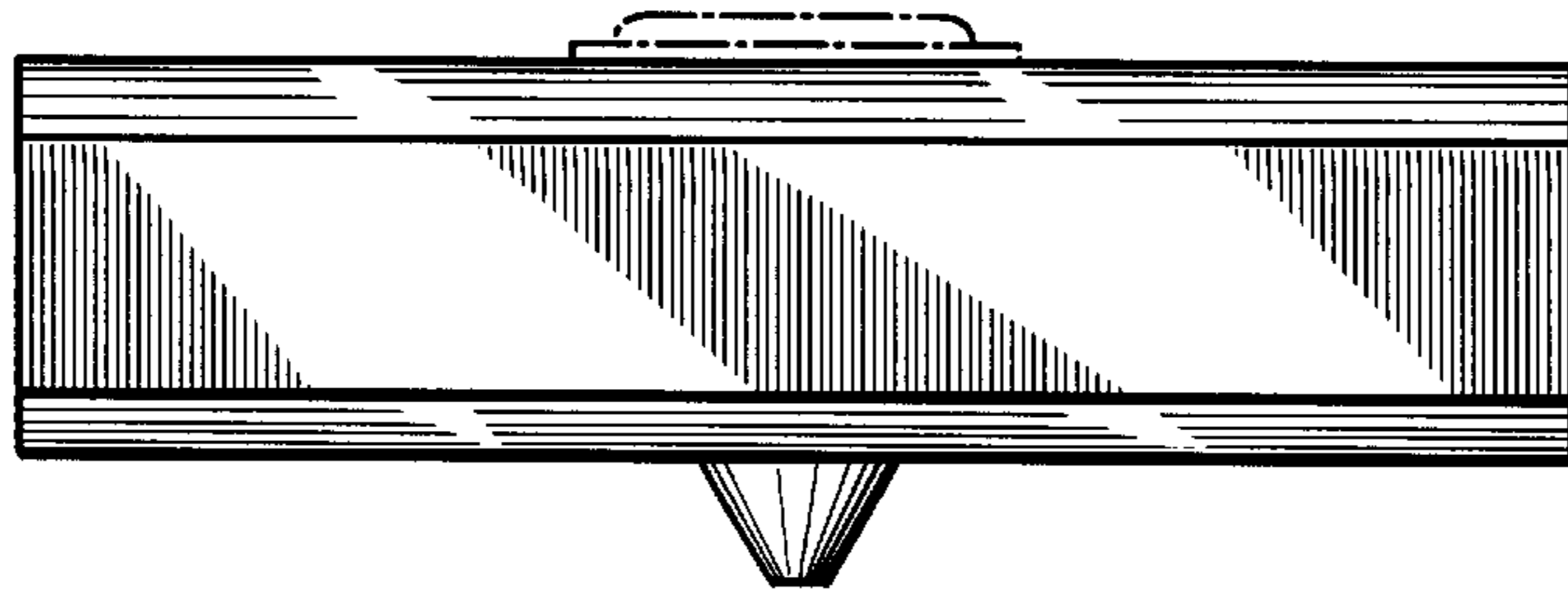


FIG. 14

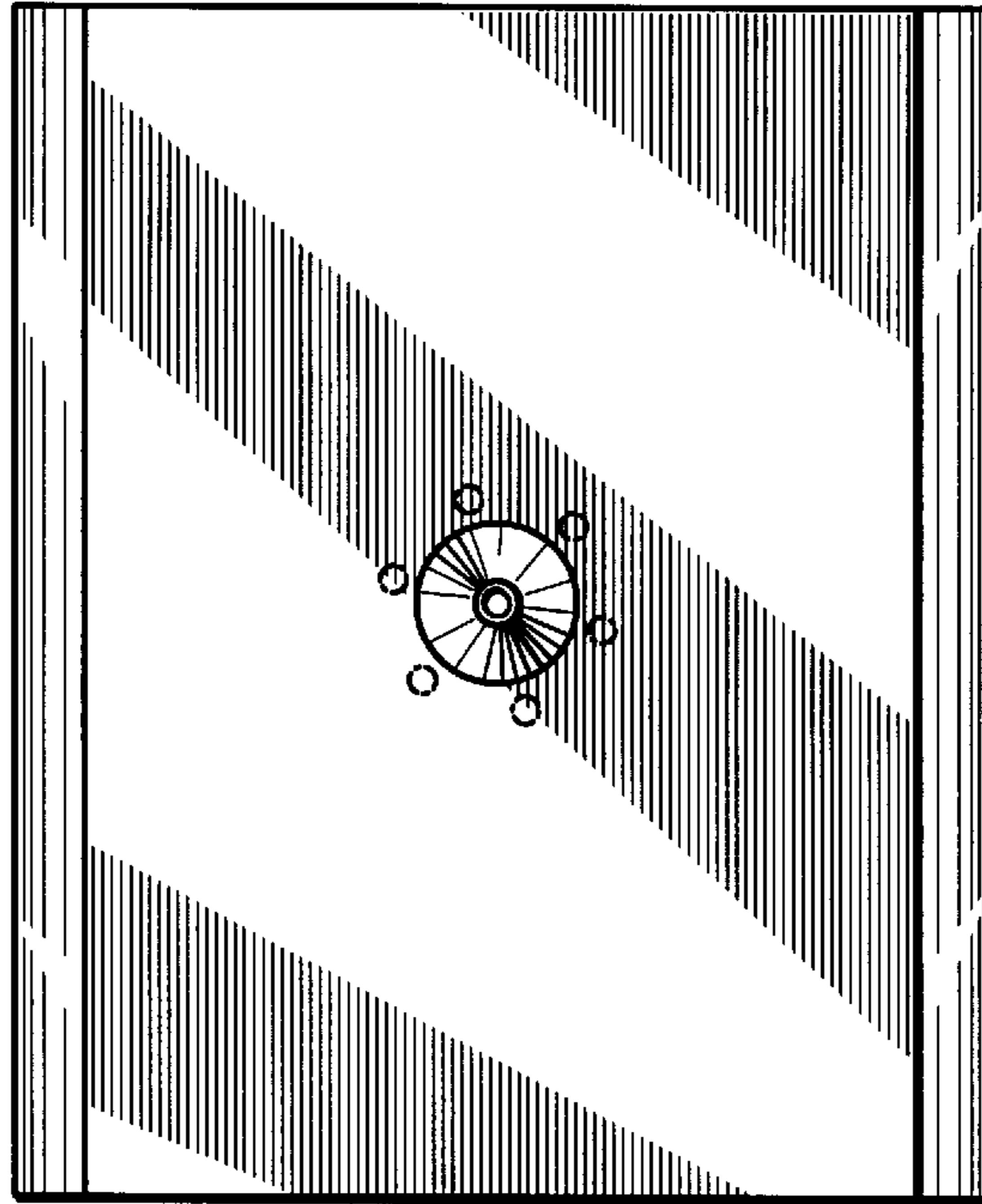


FIG. 15

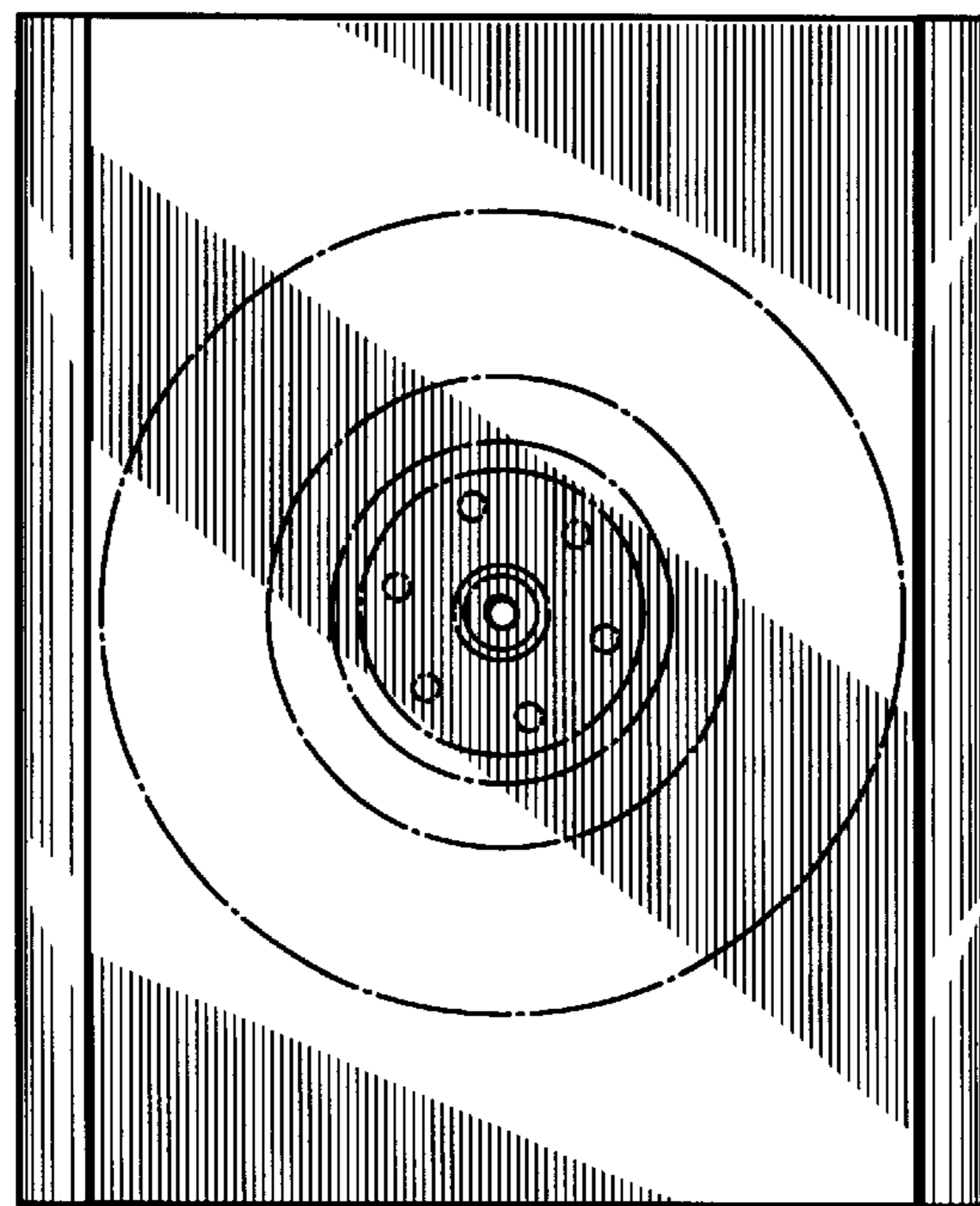


FIG. 16

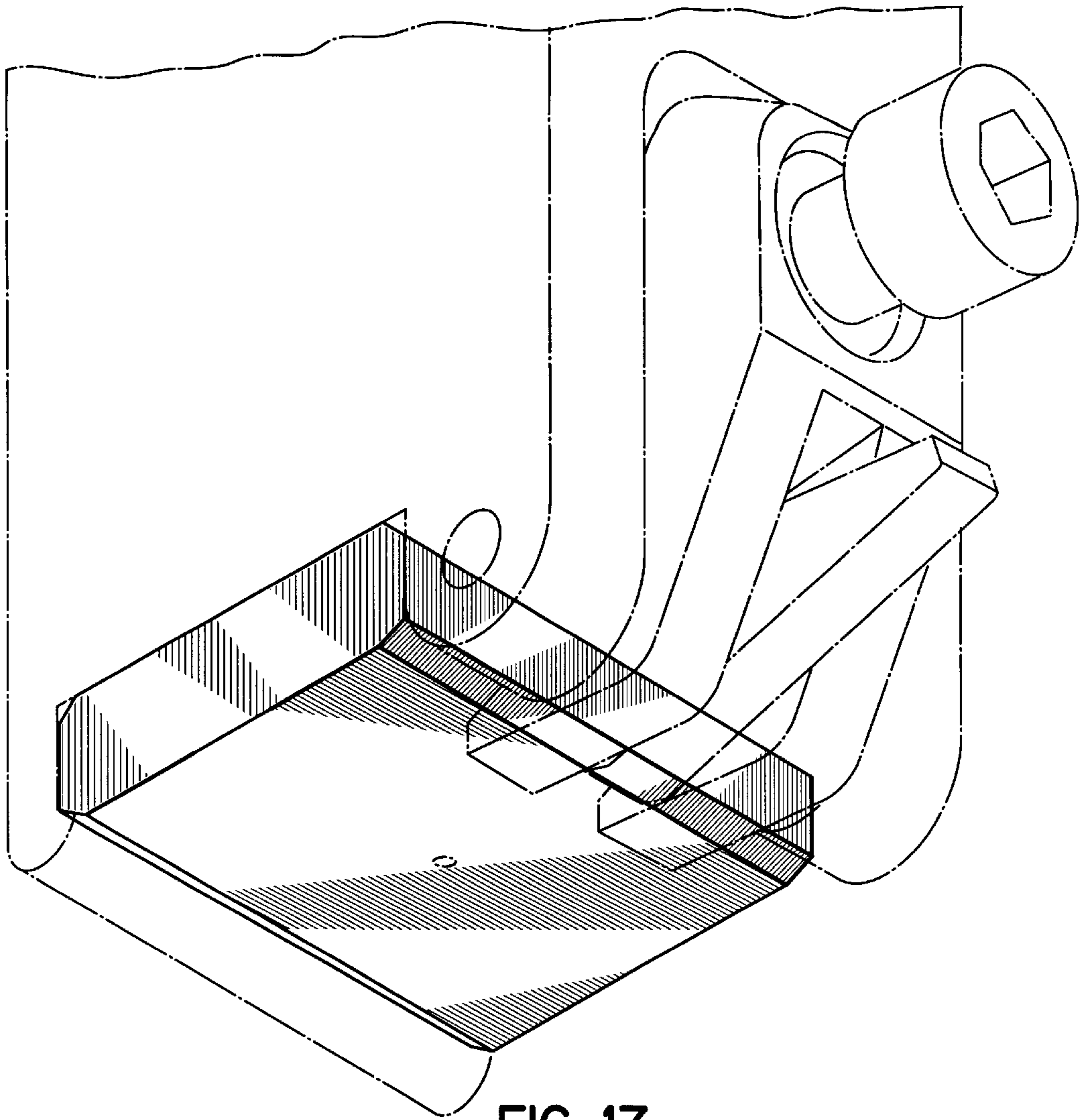


FIG. 17

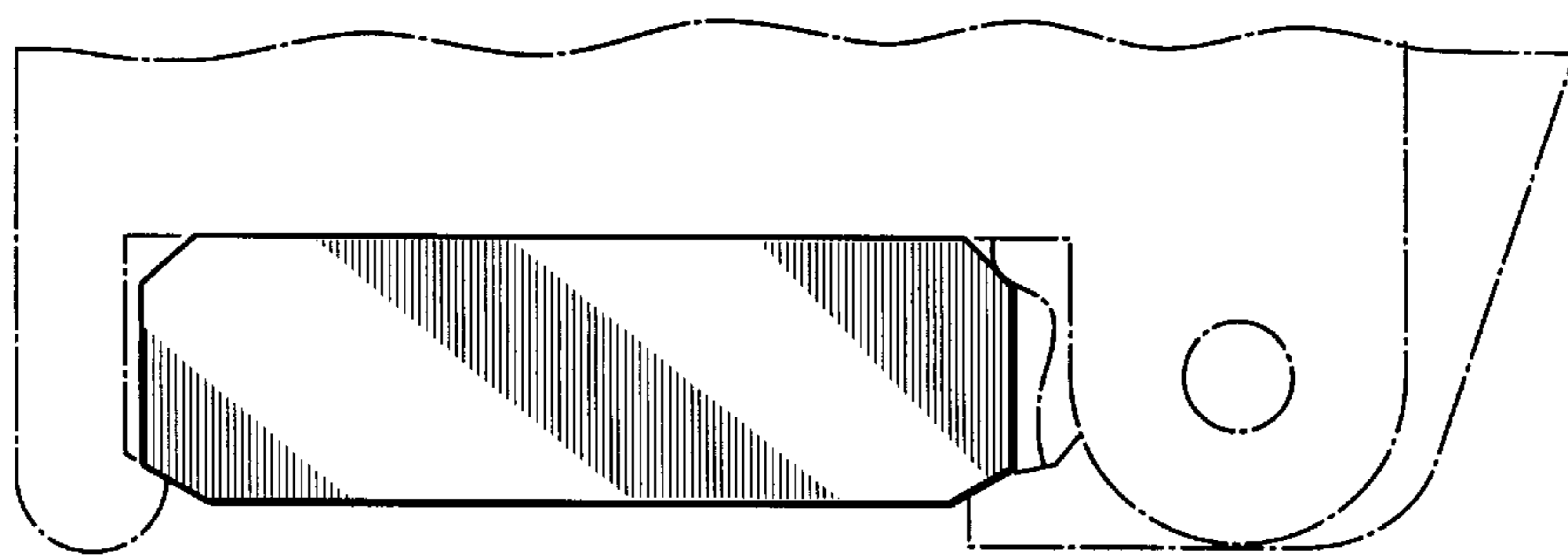


FIG. 18

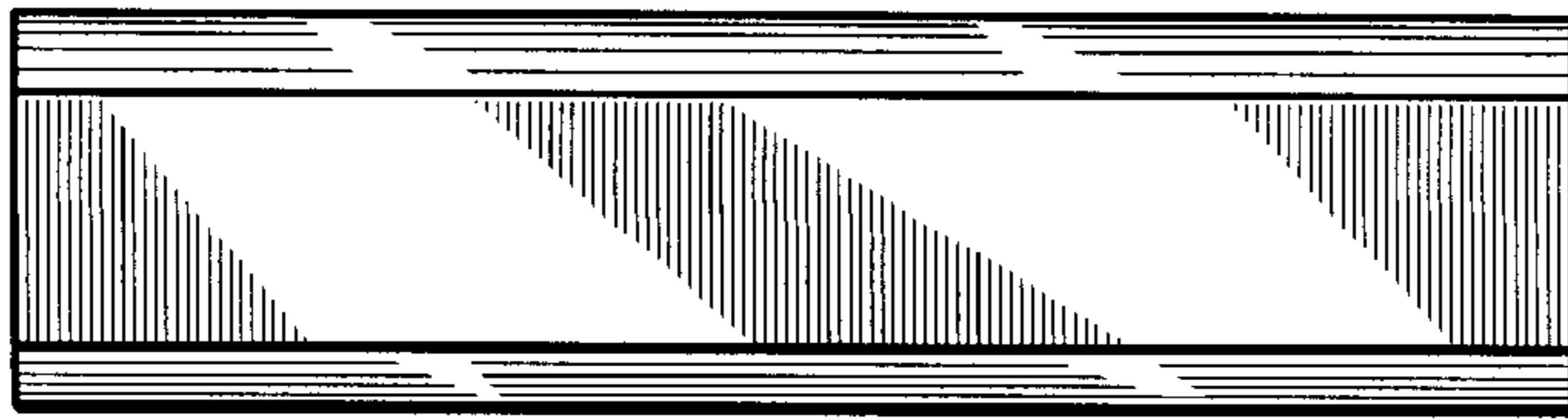


FIG. 19

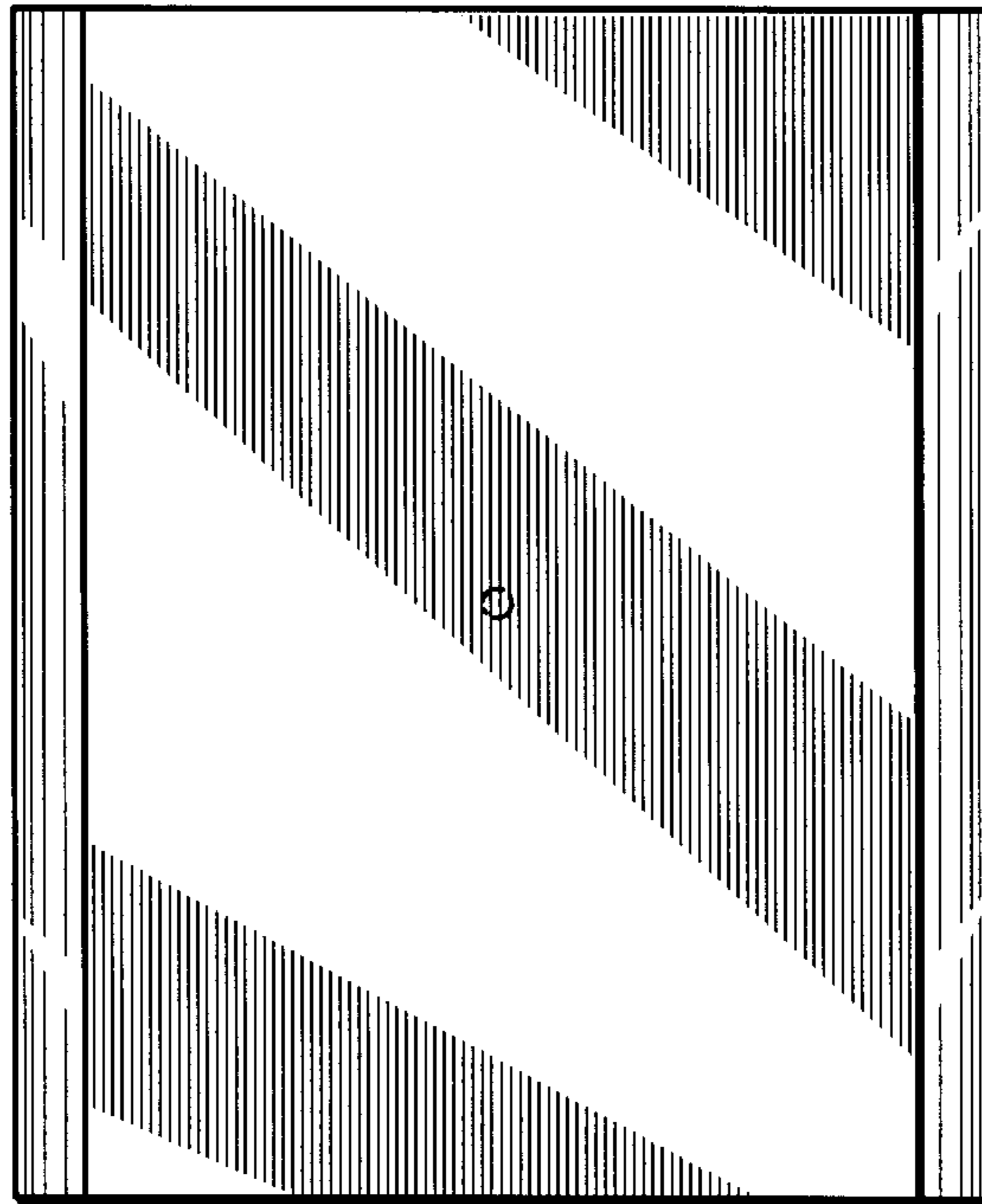


FIG. 20

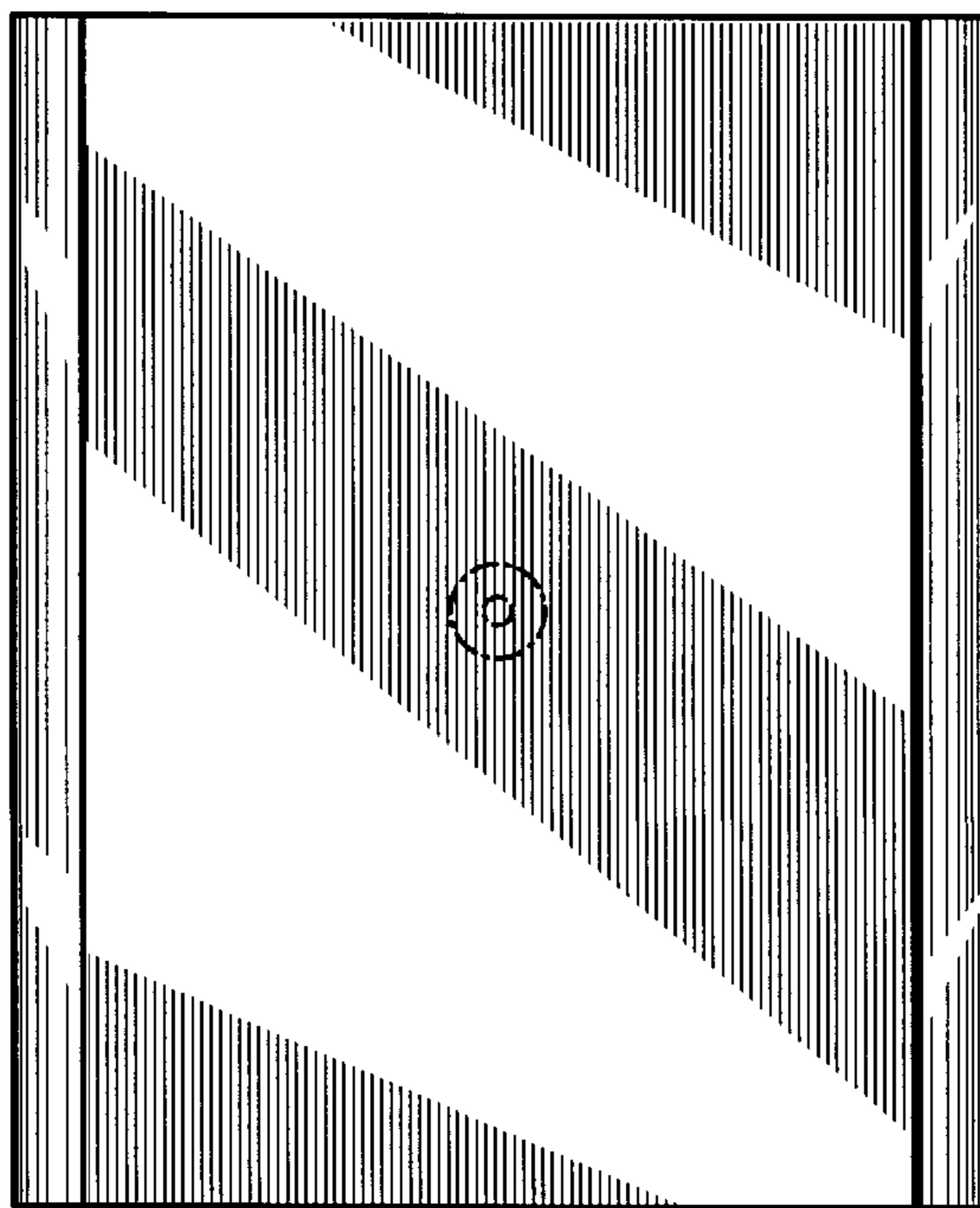


FIG. 21