



US00D457533S

(12) **United States Design Patent**  
**Concari et al.**

(10) **Patent No.:** **US D457,533 S**

(45) **Date of Patent:** **\*\* May 21, 2002**

(54) **MOWER**

(75) Inventors: **Gabriel E. Concari**, Eldersburg, MD  
(US); **David S. Strong**, Battersea (CA);  
**Richard P. Rosa**; **Murray D. Hunter**,  
both of Kingston (CA)

(73) Assignee: **Black & Decker Inc.**, Newark, DE  
(US)

(\*\*) Term: **14 Years**

(21) Appl. No.: **29/127,749**

(22) Filed: **Aug. 11, 2000**

(51) **LOC (7) Cl.** ..... **15-03**

(52) **U.S. Cl.** ..... **D15/14**

(58) **Field of Search** ..... D15/14-17; 56/13.4,  
56/16.7, 17.5, 202, 255, 295, 320.1, 320.2

(56) **References Cited**

**U.S. PATENT DOCUMENTS**

3,147,987 A	9/1964	Ritums	
D232,184 S	7/1974	Cognata	
D330,210 S	10/1992	Sirois et al.	
D333,309 S	* 2/1993	Hess et al.	..... D15/14
D347,640 S	* 6/1994	Chunn et al.	..... D15/14

D356,581 S	3/1995	Chunn et al.	
D361,771 S	8/1995	Ledingham	
5,442,901 A	8/1995	Niemela et al.	
D374,017 S	9/1996	Chunn et al.	
D381,665 S	7/1997	Hinklin et al.	
D390,576 S	* 2/1998	Shimamura	..... D15/14
D410,012 S	5/1999	Goebert et al.	
D419,163 S	1/2000	Sirois et al.	

\* cited by examiner

*Primary Examiner*—Mitchell Siegel

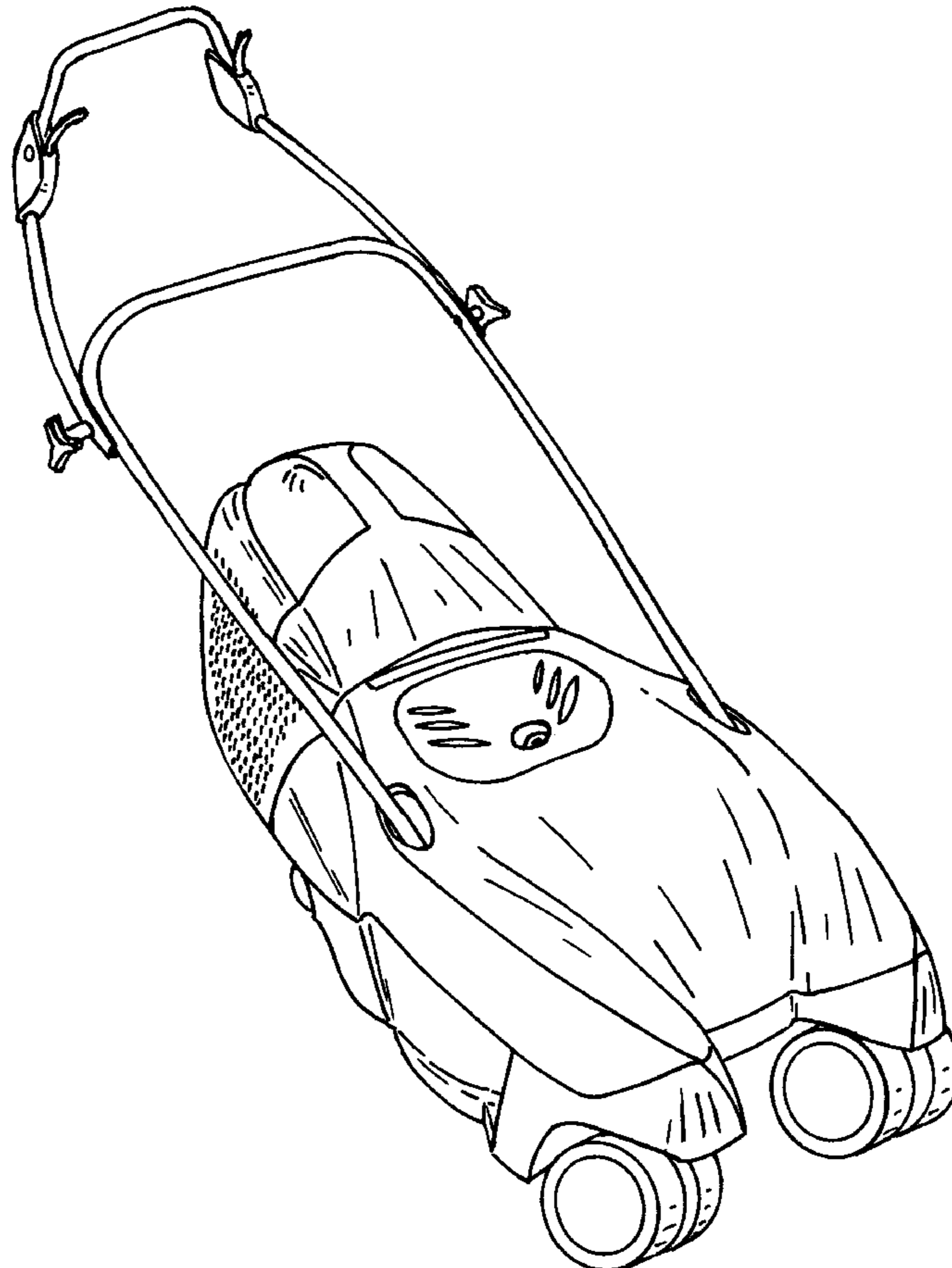
(57) **CLAIM**

The ornamental design for a mower, as shown and described.

**DESCRIPTION**

FIG. 1 is a front-right perspective view of the a mower in accordance with the present invention;  
FIG. 2 is a front left perspective view of the mower;  
FIG. 3 is a plan view of the mower;  
FIG. 4 is a front view of the mower;  
FIG. 5 is a right side view of the mower;  
FIG. 6 is a left side view of the mower; and,  
FIG. 7 is a rear view of the mower.

**1 Claim, 7 Drawing Sheets**



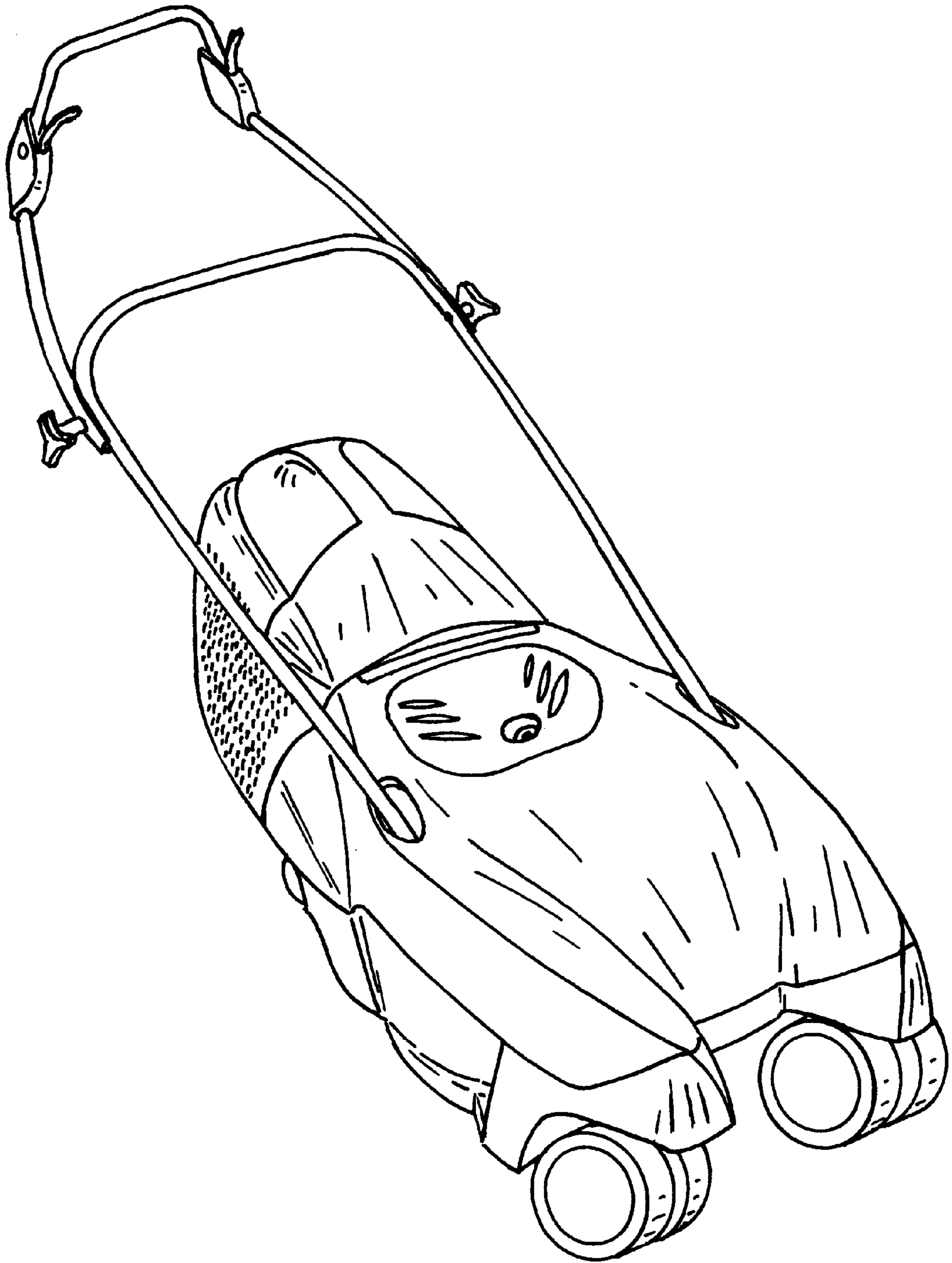


FIG. 1

FIG. 2

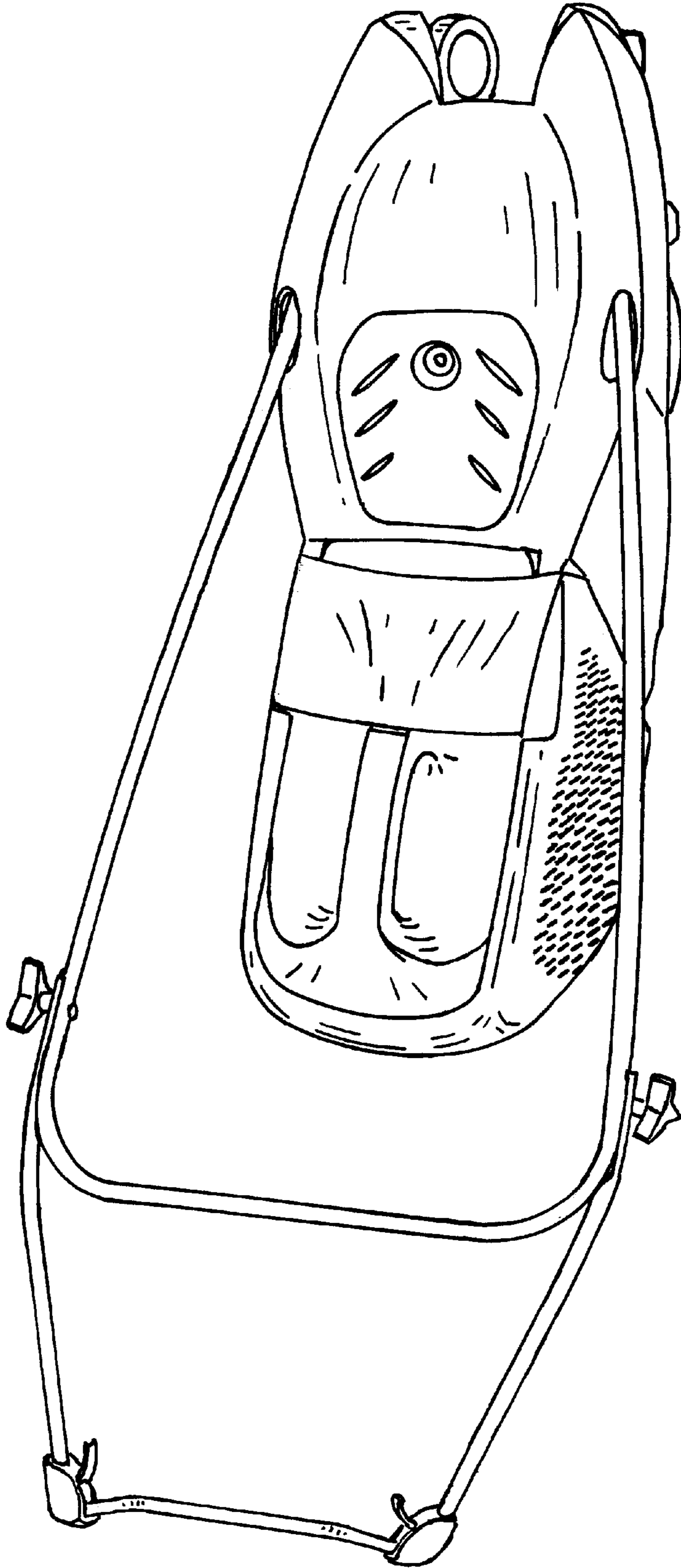




FIG. 3

FIG. 4

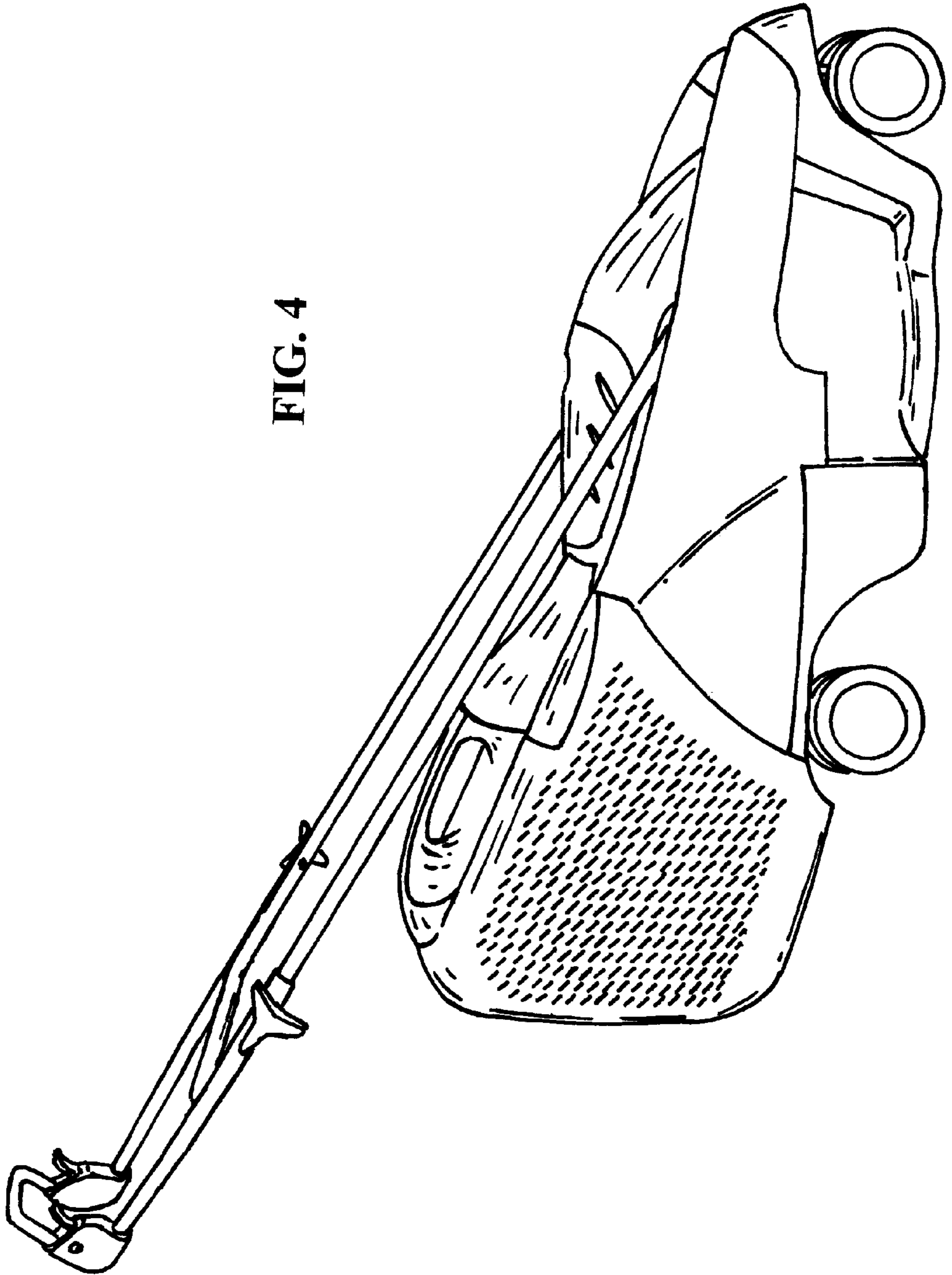
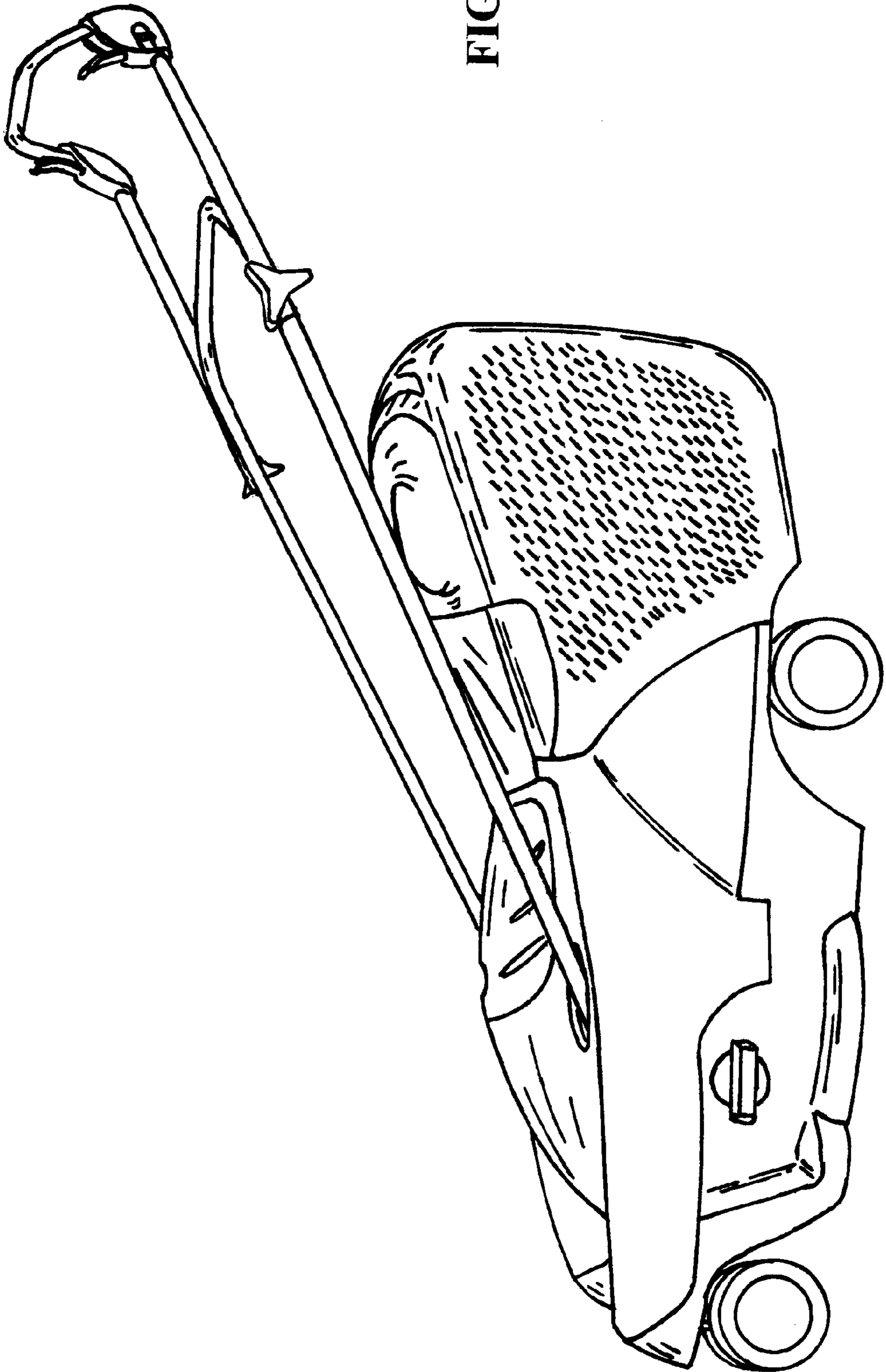


FIG. 5



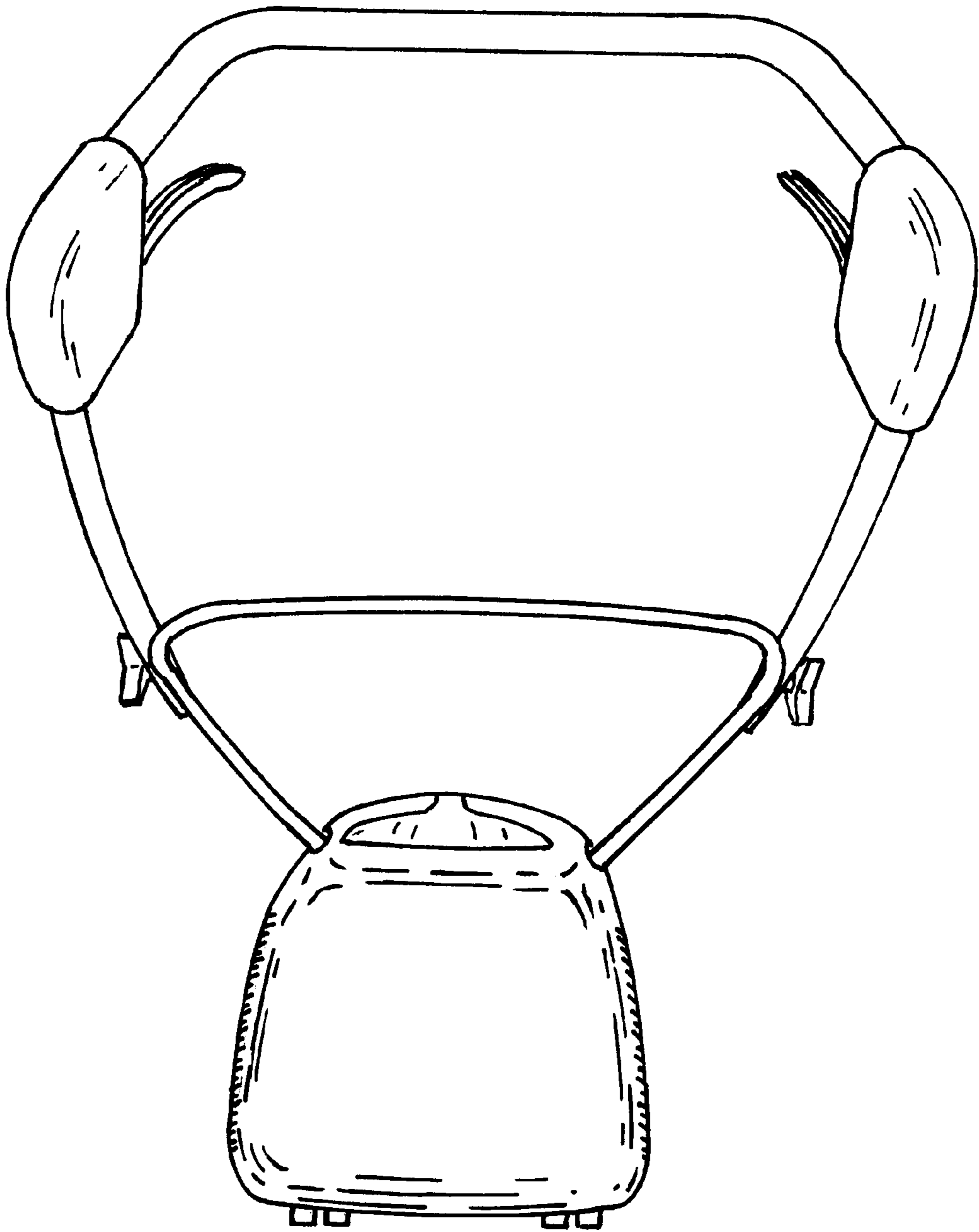


FIG. 6

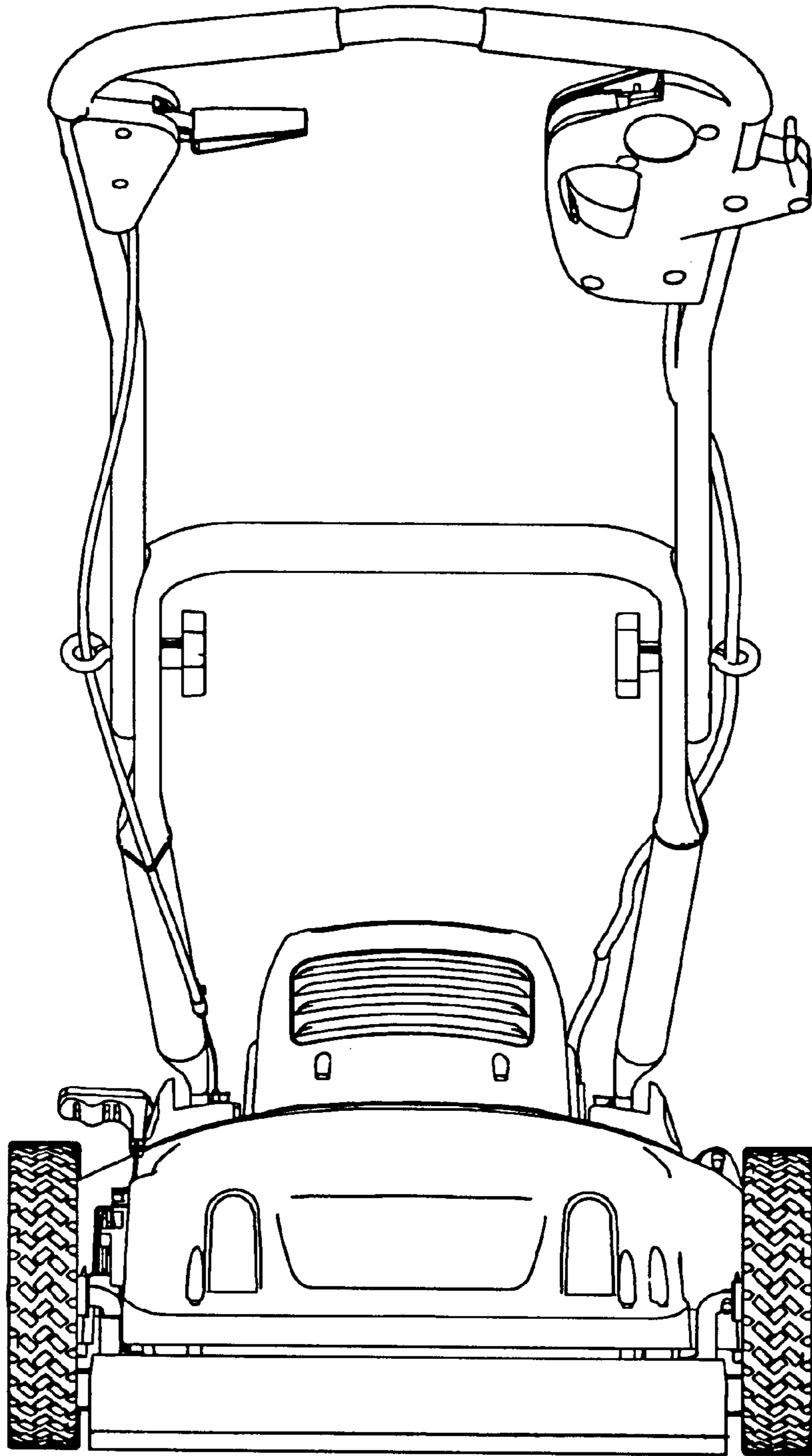


FIGURE 7



UNITED STATES PATENT AND TRADEMARK OFFICE  
**CERTIFICATE OF CORRECTION**

PATENT NO. : Des. 457,533 S  
APPLICATION NO. : 29/127749  
DATED : May 21, 2002  
INVENTOR(S) : Concari et al.

Page 1 of 9

It is certified that error appears in the above-identified patent and that said Letters Patent is hereby corrected as shown below:

Delete Title page illustrating a figure(s), and substitute therefor, new Title page illustrating a figure(s). (attached)

Delete drawing sheets 1-7, and substitute therefor drawing sheets 1-7. (attached)

Signed and Sealed this

Nineteenth Day of February, 2008

A handwritten signature in black ink that reads "Jon W. Dudas". The signature is written in a cursive style with a large, looped initial "J".

JON W. DUDAS

*Director of the United States Patent and Trademark Office*

(12) **United States Design Patent** (10) **Patent No.:** **US D457,533 S**  
**Concari et al.** (45) **Date of Patent:** **\*\* May 21, 2002**

(54) **MOWER**

(75) **Inventors:** **Gabriel E. Concari, Eldersburg, MD (US); David S. Strong, Batterssea (CA); Richard P. Rosa; Murray D. Hunter, both of Kingston (CA)**

(73) **Assignee:** **Black & Decker Inc., Newark, DE (US)**

(\*\*) **Term:** **14 Years**

(21) **Appl. No.:** **29/127,749**

(22) **Filed:** **Aug. 11, 2000**

(51) **LOC (7)Cl** ..... **15-03**

(52) **U.S. Cl.** ..... **D15/14**

(58) **Field of Search** ..... **D15/14-17; 56/13.4, 56/16.7, 17.5, 202, 255, 295, 320.1, 320.2**

(56) **References Cited**

**U.S. PATENT DOCUMENTS**

3,147,987 A 9/1964 Rituma  
 D232,184 S 7/1974 Cognata  
 D330,210 S 10/1992 Sirois et al.  
 D333,309 S \* 2/1993 Hess et al. .... D15/14  
 D347,640 S \* 6/1994 Chunn et al. .... D15/14

D356,581 S 3/1995 Chunn et al.  
 D361,771 S 8/1995 Ledingham  
 5,442,901 A 8/1995 Niemela et al.  
 D374,017 S 9/1996 Chunn et al.  
 D381,665 S 7/1997 Hincklin et al.  
 D390,576 S \* 2/1998 Shimamura ..... D15/14  
 D410,012 S 5/1999 Goebert et al.  
 D419,163 S 1/2000 Sirois et al.

\* cited by examiner

*Primary Examiner*---**Mitchell Siegel**

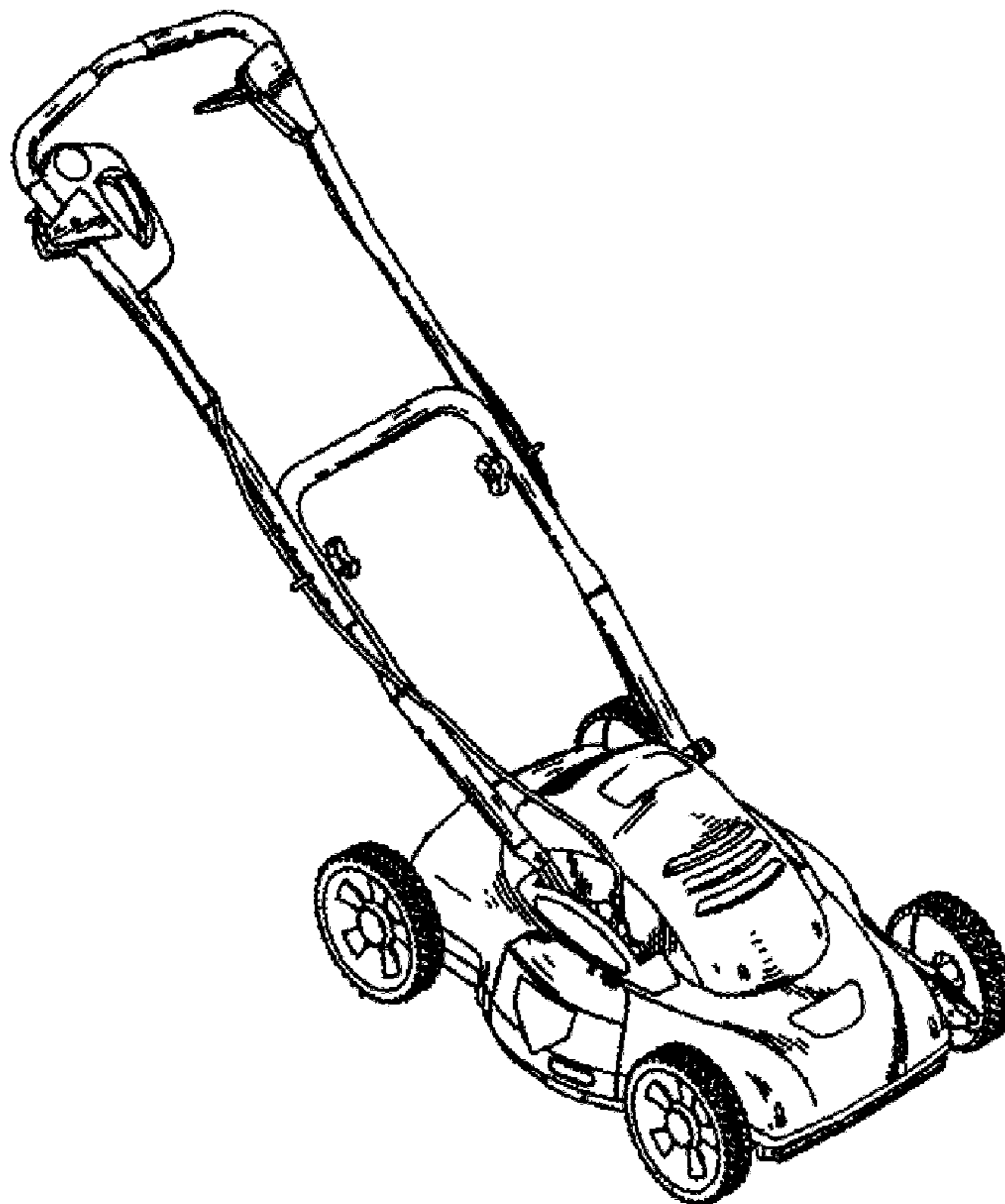
(57) **CLAIM**

The ornamental design for a mower, as shown and described.

**DESCRIPTION**

FIG. 1 is a front-right perspective view of the a mower in accordance with the present invention;  
 FIG. 2 is a front left perspective view of the mower;  
 FIG. 3 is a plan view of the mower;  
 FIG. 4 is a front view of the mower;  
 FIG. 5 is a right side view of the mower;  
 FIG. 6 is a left side view of the mower; and,  
 FIG. 7 is a rear view of the mower.

**1 Claim, 7 Drawing Sheets**

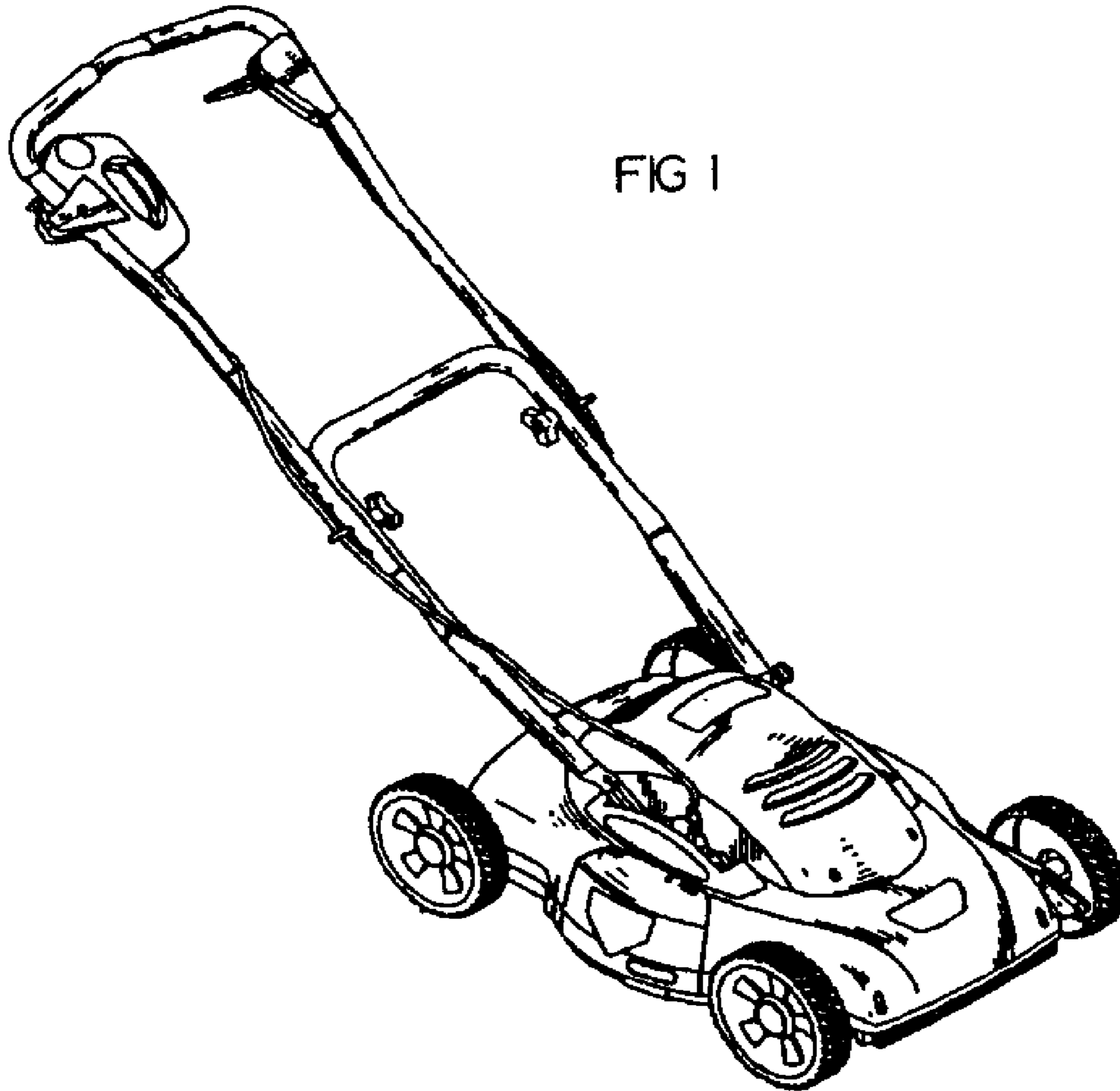


UNITED STATES PATENT AND TRADEMARK OFFICE  
**CERTIFICATE OF CORRECTION**

PATENT NO. : Des. 457,533 S  
APPLICATION NO. : 29/127749  
DATED : May 21, 2002  
INVENTOR(S) : Concari et al.

Page 3 of 9

It is certified that error appears in the above-identified patent and that said Letters Patent is hereby corrected as shown below:



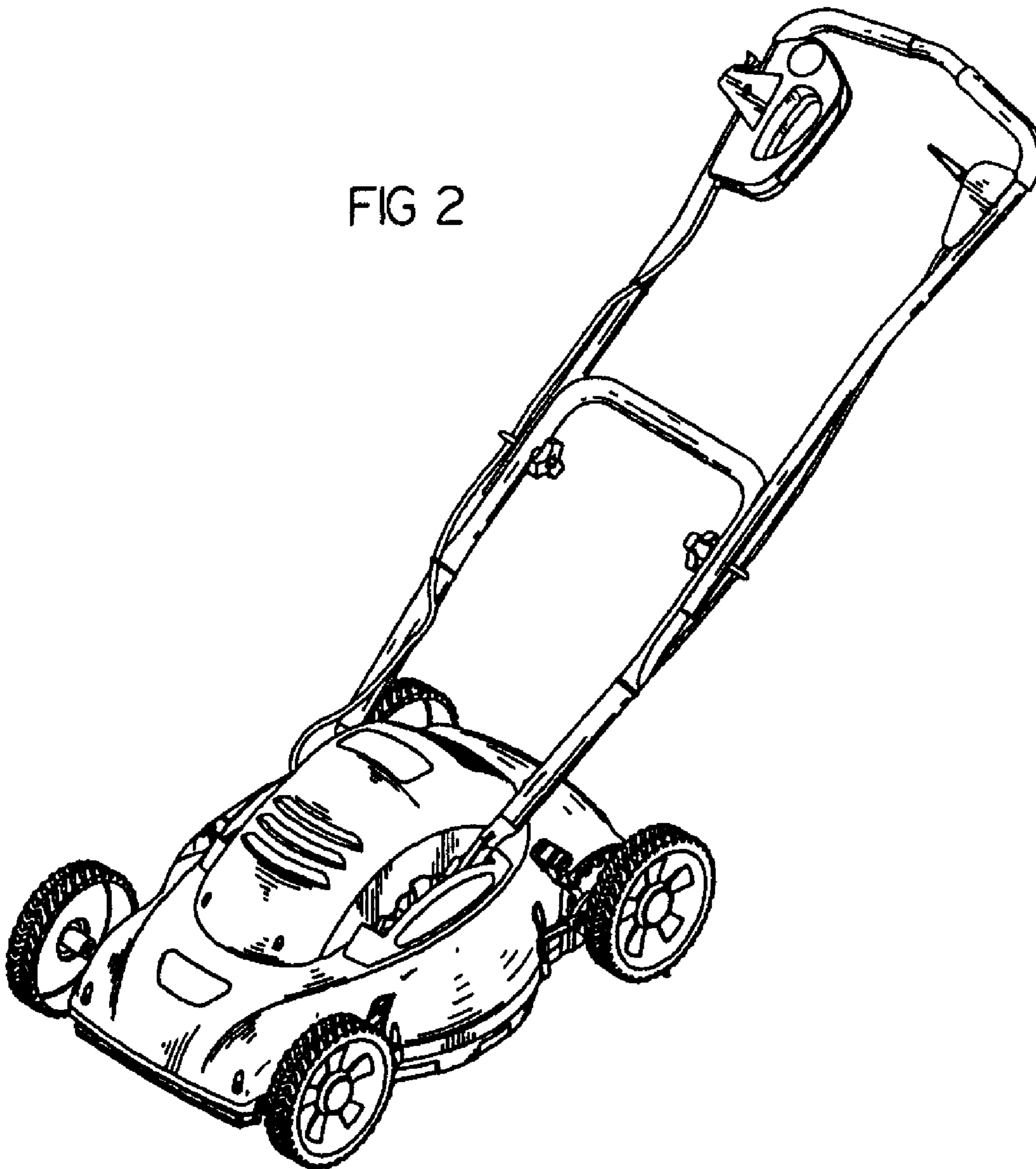
UNITED STATES PATENT AND TRADEMARK OFFICE  
**CERTIFICATE OF CORRECTION**

PATENT NO. : Des. 457,533 S  
APPLICATION NO. : 29/127749  
DATED : May 21, 2002  
INVENTOR(S) : Concari et al.

Page 4 of 9

It is certified that error appears in the above-identified patent and that said Letters Patent is hereby corrected as shown below:

FIG 2



UNITED STATES PATENT AND TRADEMARK OFFICE  
**CERTIFICATE OF CORRECTION**

PATENT NO. : Des. 457,533 S  
APPLICATION NO. : 29/127749  
DATED : May 21, 2002  
INVENTOR(S) : Concari et al.

Page 5 of 9

It is certified that error appears in the above-identified patent and that said Letters Patent is hereby corrected as shown below:

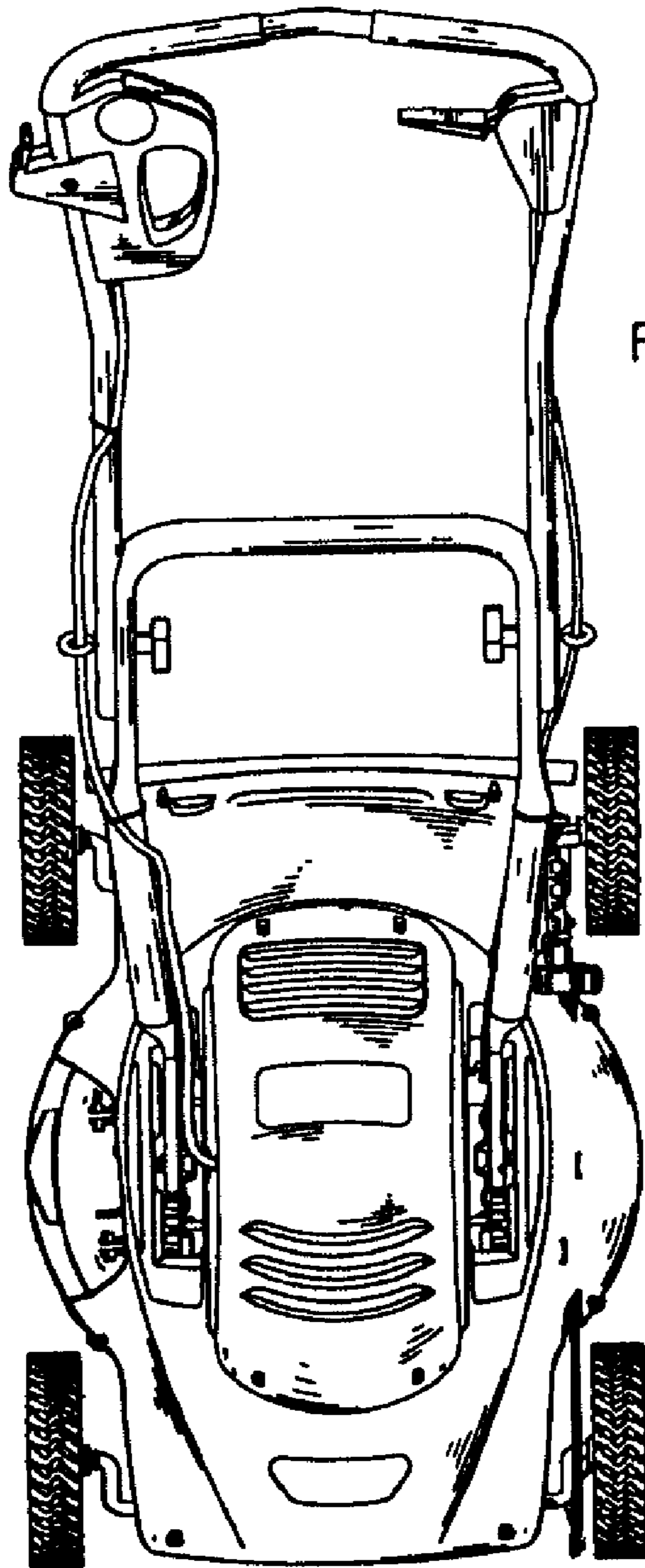


FIG 3

UNITED STATES PATENT AND TRADEMARK OFFICE  
**CERTIFICATE OF CORRECTION**

PATENT NO. : Des. 457,533 S  
APPLICATION NO. : 29/127749  
DATED : May 21, 2002  
INVENTOR(S) : Concari et al.

Page 6 of 9

It is certified that error appears in the above-identified patent and that said Letters Patent is hereby corrected as shown below:

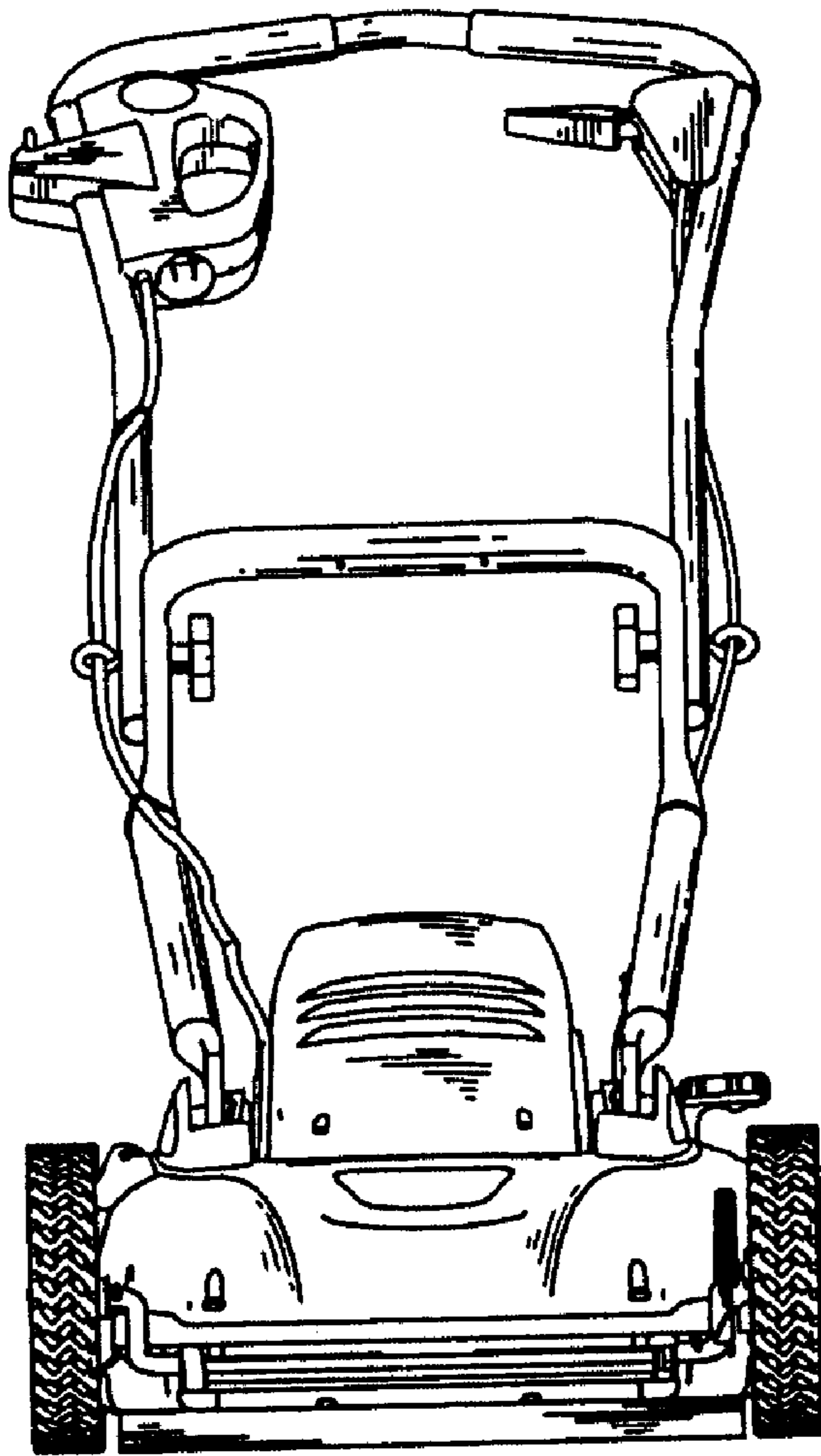


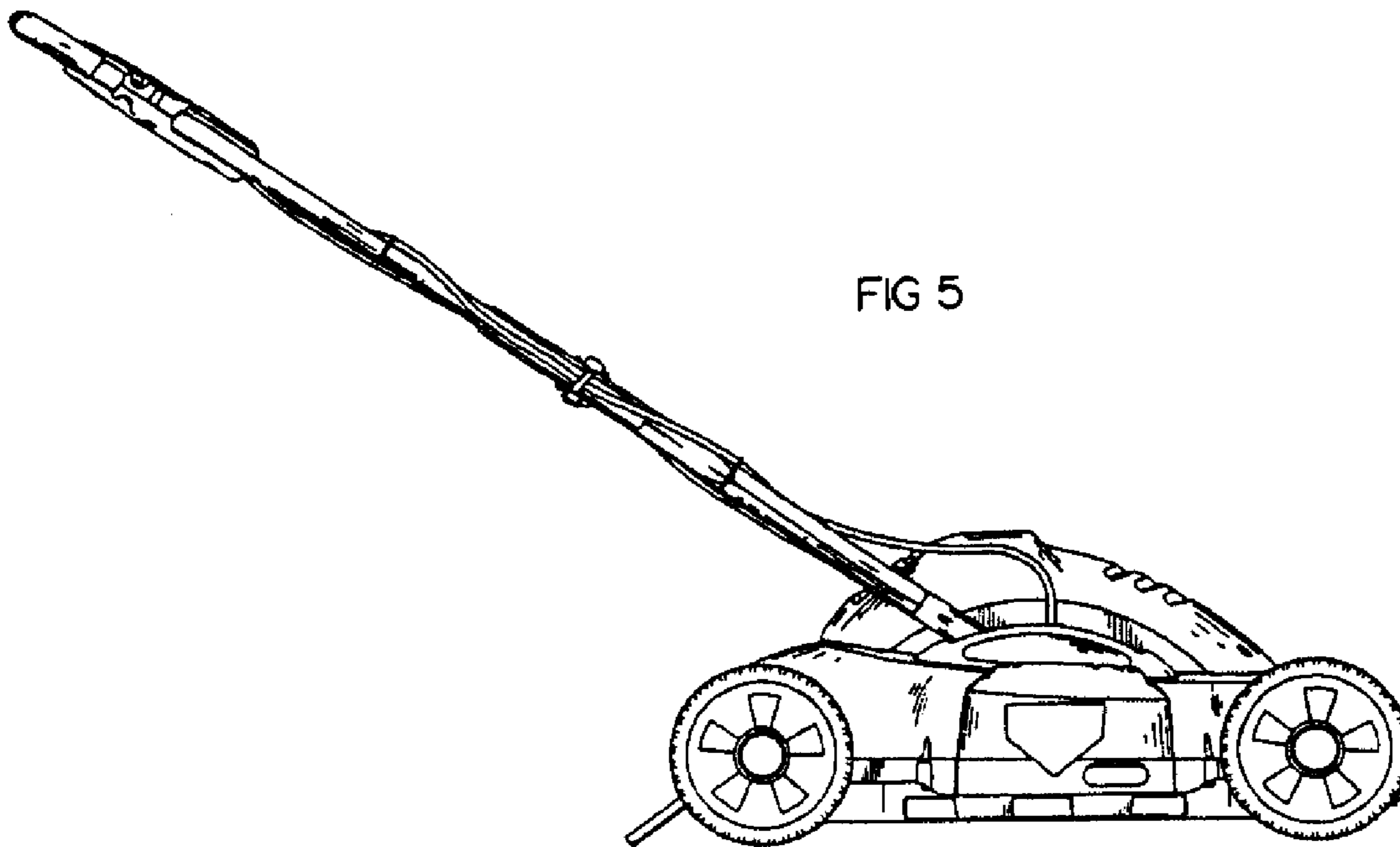
FIG 4

UNITED STATES PATENT AND TRADEMARK OFFICE  
**CERTIFICATE OF CORRECTION**

PATENT NO. : Des. 457,533 S  
APPLICATION NO. : 29/127749  
DATED : May 21, 2002  
INVENTOR(S) : Concari et al.

Page 7 of 9

It is certified that error appears in the above-identified patent and that said Letters Patent is hereby corrected as shown below:

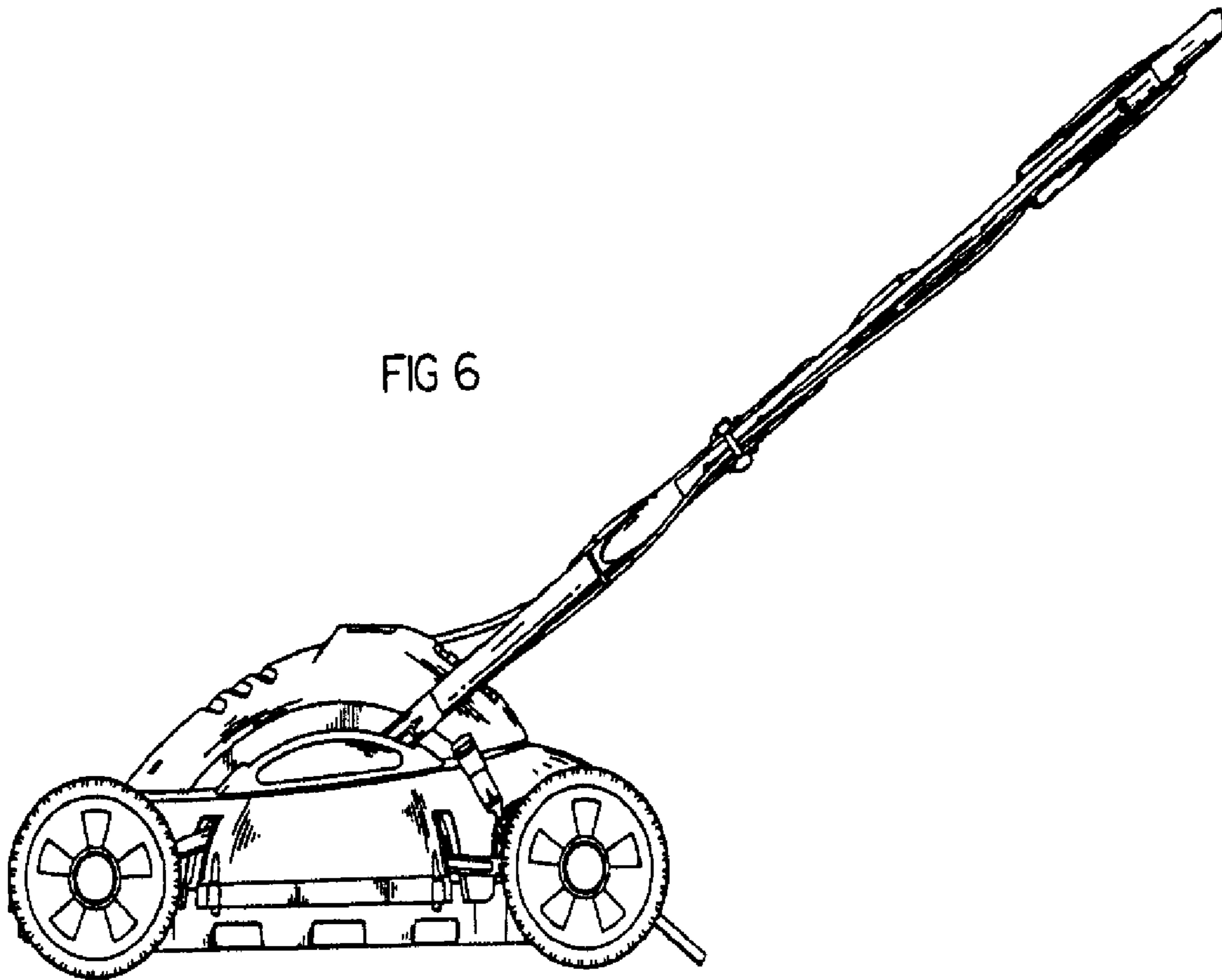


UNITED STATES PATENT AND TRADEMARK OFFICE  
**CERTIFICATE OF CORRECTION**

PATENT NO. : Des. 457,533 S  
APPLICATION NO. : 29/127749  
DATED : May 21, 2002  
INVENTOR(S) : Concari et al.

Page 8 of 9

It is certified that error appears in the above-identified patent and that said Letters Patent is hereby corrected as shown below:





UNITED STATES PATENT AND TRADEMARK OFFICE  
**CERTIFICATE OF CORRECTION**

PATENT NO. : Des. 457,533 S  
APPLICATION NO. : 29/127749  
DATED : May 21, 2002  
INVENTOR(S) : Concari et al.

Page 9 of 9

It is certified that error appears in the above-identified patent and that said Letters Patent is hereby corrected as shown below:

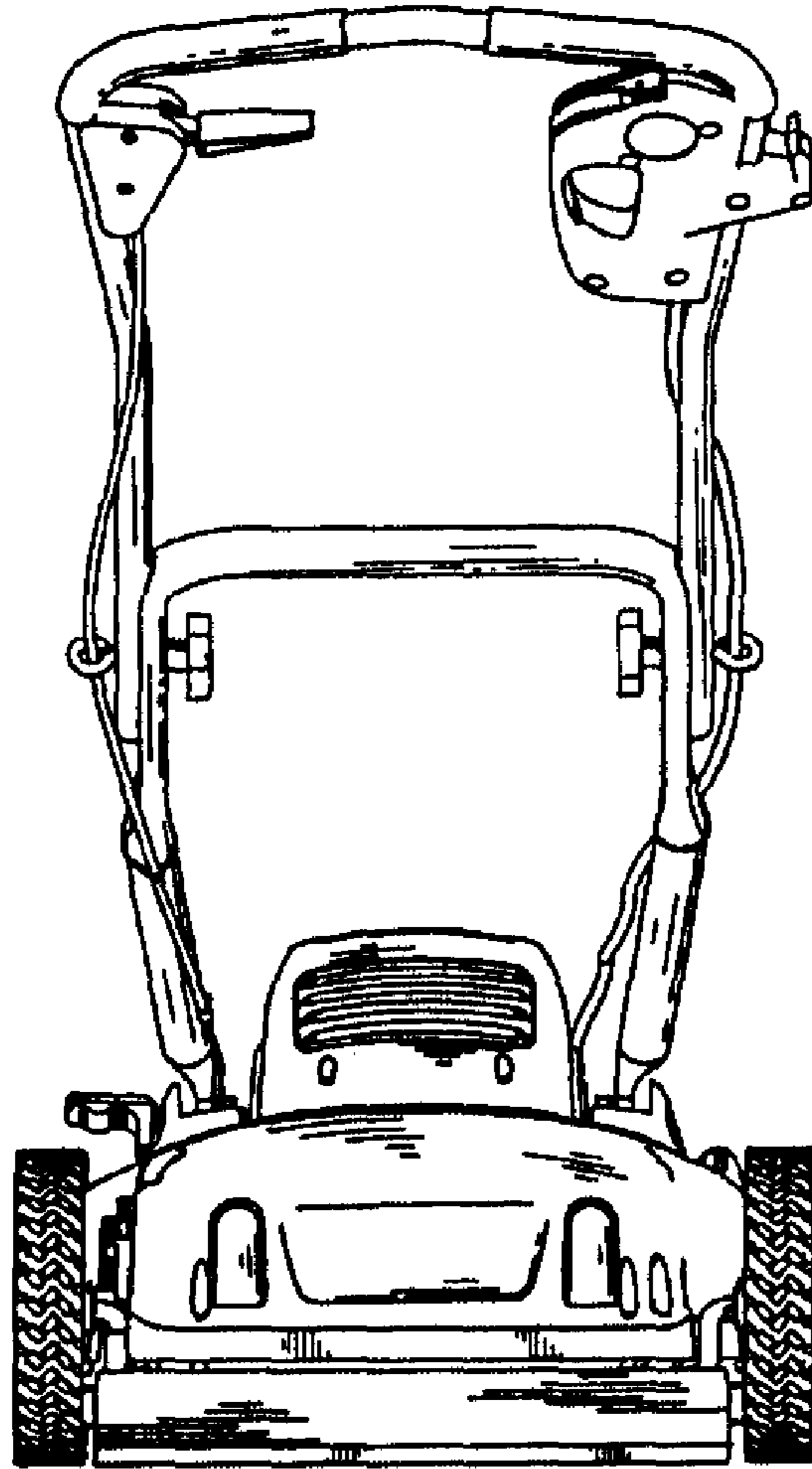


FIG 7