



US00D457531S

(12) **United States Design Patent**  
**Kimura et al.**

(10) **Patent No.:** **US D457,531 S**

(45) **Date of Patent:** **\*\* May 21, 2002**

(54) **COMPRESSOR PISTON**

(75) Inventors: **Kazuya Kimura; Kenji Takenaka; Hiroaki Kayukawa; Masaki Ota**, all of Kariya (JP)

(73) Assignee: **Kabushiki Kaisha Toyota Jidoshokki Seisakusho**, Kariya (JP)

(\*\*) Term: **14 Years**

(21) Appl. No.: **29/107,174**

(22) Filed: **Jun. 29, 1999**

**Related U.S. Application Data**

(62) Division of application No. 29/063,687, filed on Dec. 12, 1996, now Pat. No. Des. 417,225.

(30) **Foreign Application Priority Data**

Jun. 13, 1996	(JP)	.....	8-017824
Jul. 2, 1996	(JP)	.....	8-019791
Jul. 2, 1996	(JP)	.....	8-019792
Jul. 2, 1996	(JP)	.....	8-019793
Jul. 2, 1996	(JP)	.....	8-019794
Jul. 2, 1996	(JP)	.....	8-019795
Jul. 2, 1996	(JP)	.....	8-019796
Jul. 2, 1996	(JP)	.....	8-019797
Jul. 2, 1996	(JP)	.....	8-019798
Jul. 2, 1996	(JP)	.....	8-019799

(51) **LOC (7) Cl.** ..... **15-02**

(52) **U.S. Cl.** ..... **D15/9**

(58) **Field of Search** ..... D15/1-5, 7-9; 91/505; 92/12.2, 71, 165 R, 165 PR; 417/222.1, 266, 269, 273

(56) **References Cited**

**U.S. PATENT DOCUMENTS**

5,461,967 A \* 10/1995 Burkett et al. .... 92/71

5,490,767 A \* 2/1996 Kanou et al. .... 417/269  
D373,773 S \* 9/1996 Hund, Jr. .... D15/5  
D377,493 S \* 1/1997 Oda et al. .... D15/5  
5,706,716 A 1/1998 Umemura  
5,720,215 A 2/1998 Asplund et al.

**FOREIGN PATENT DOCUMENTS**

JP	449676	4/1992
JP	4109481	9/1992
JP	4113791	10/1992
JP	547441	6/1993
JP	666253	3/1994
JP	6336977	12/1994
JP	74877	1/1995
JP	7189897	7/1995
JP	7189898	7/1995
JP	7189900	7/1995
JP	978580	4/1997

\* cited by examiner

*Primary Examiner*—Nanda Bondade

(74) *Attorney, Agent, or Firm*—Morgan & Finnegan, L.L.P.

(57) **CLAIM**

The ornamental design for a compressor piston, as shown and described.

**DESCRIPTION**

FIG. 1 is a front elevational view of a compressor piston;  
FIG. 2 is a rear elevational view thereof;  
FIG. 3 is a top plan view thereof;  
FIG. 4 is a bottom plan view thereof;  
FIG. 5 is a right side elevation view thereof, the left side elevation view being a mirror image; and,  
FIG. 6 is a perspective view thereof.

**1 Claim, 2 Drawing Sheets**

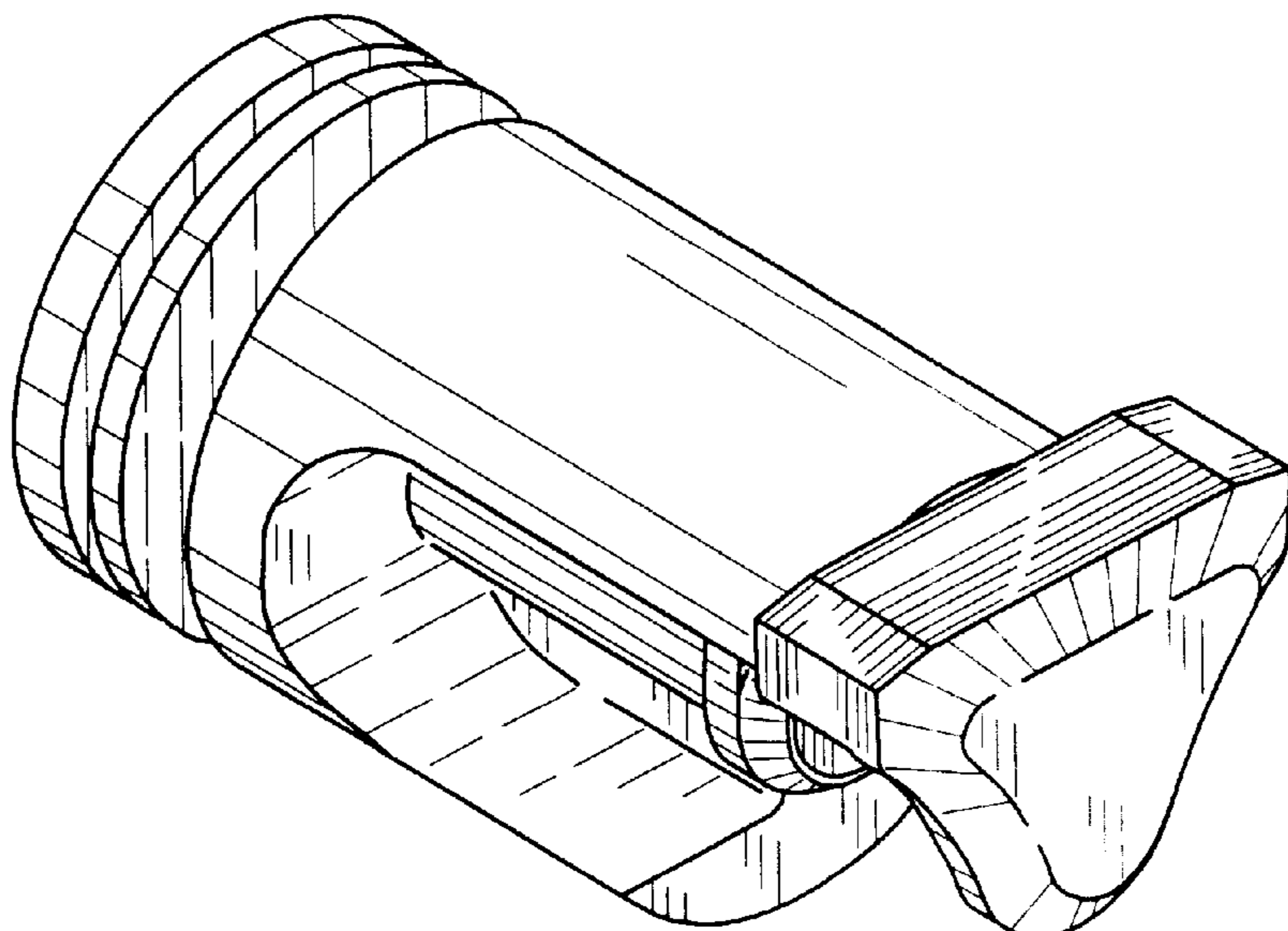


Fig. 1

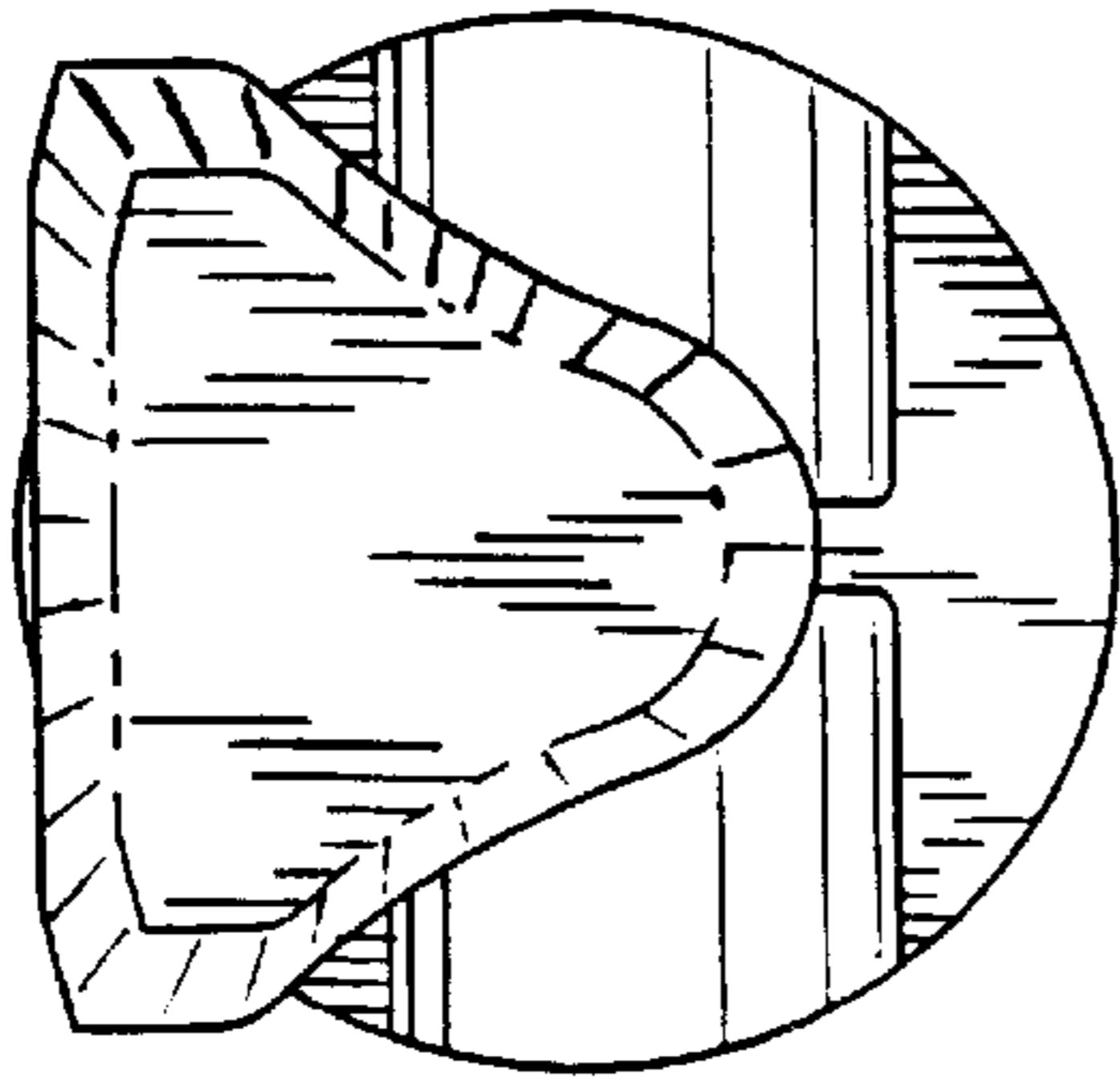


Fig. 2

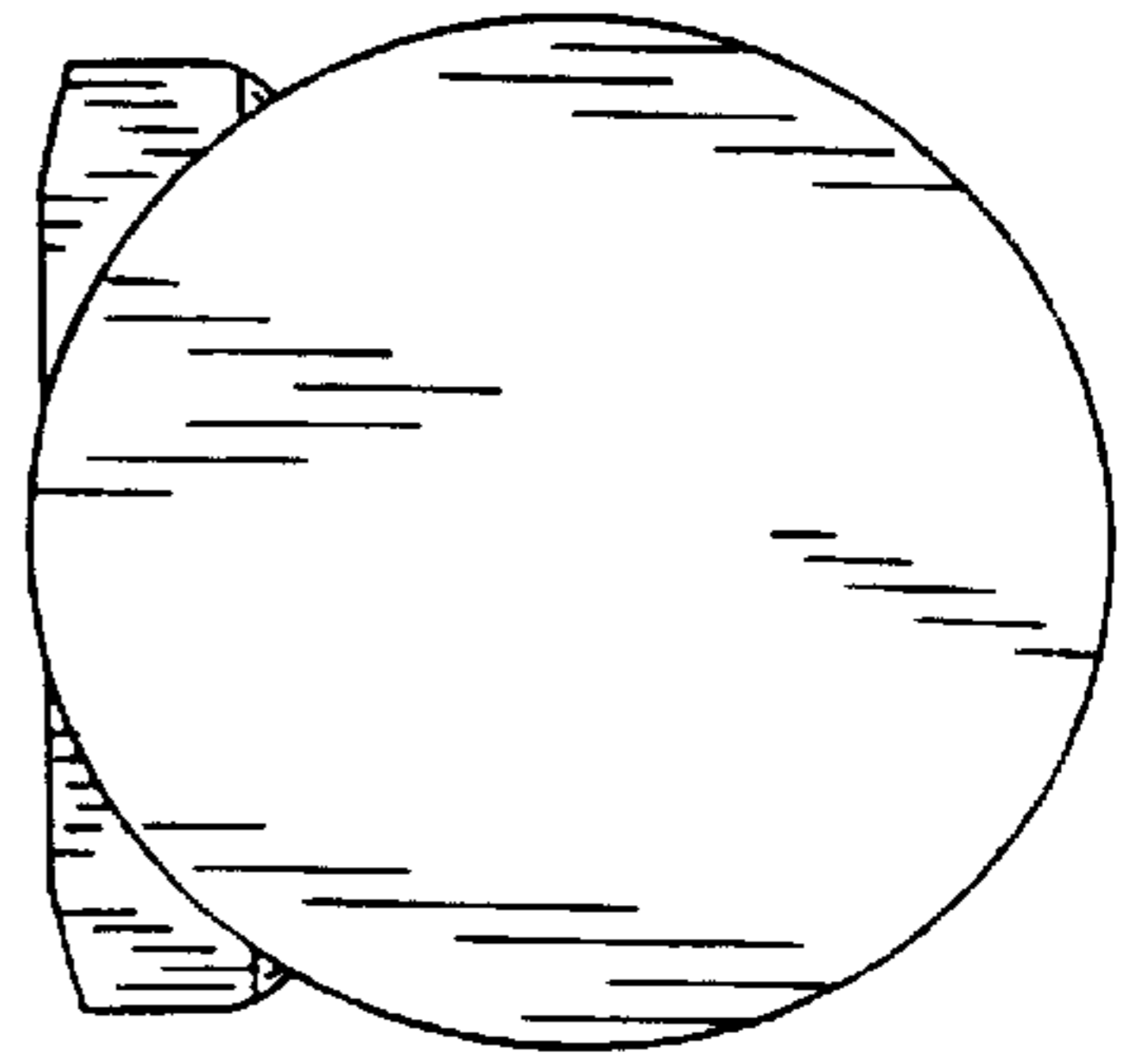


Fig. 3

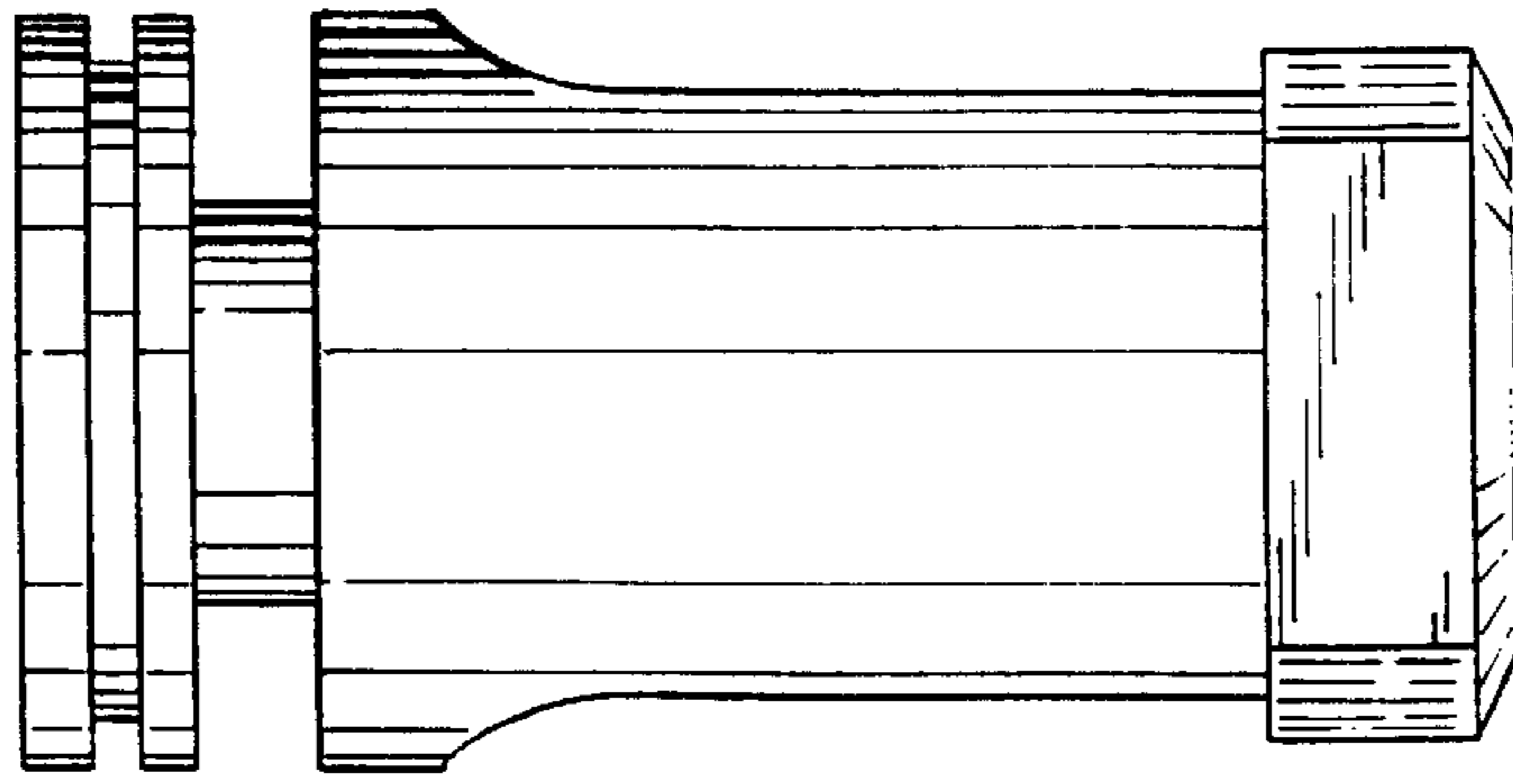


Fig. 4

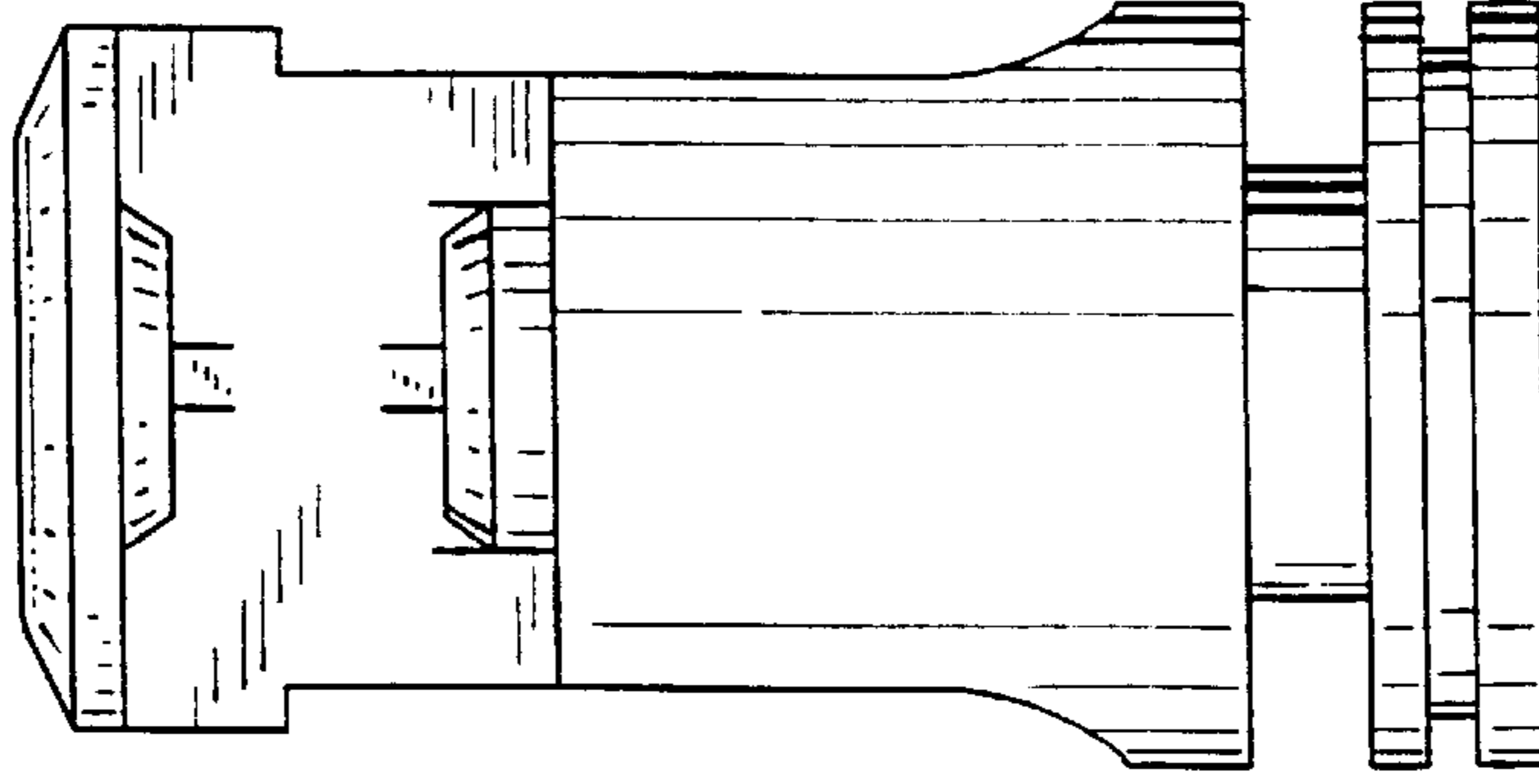


Fig. 5

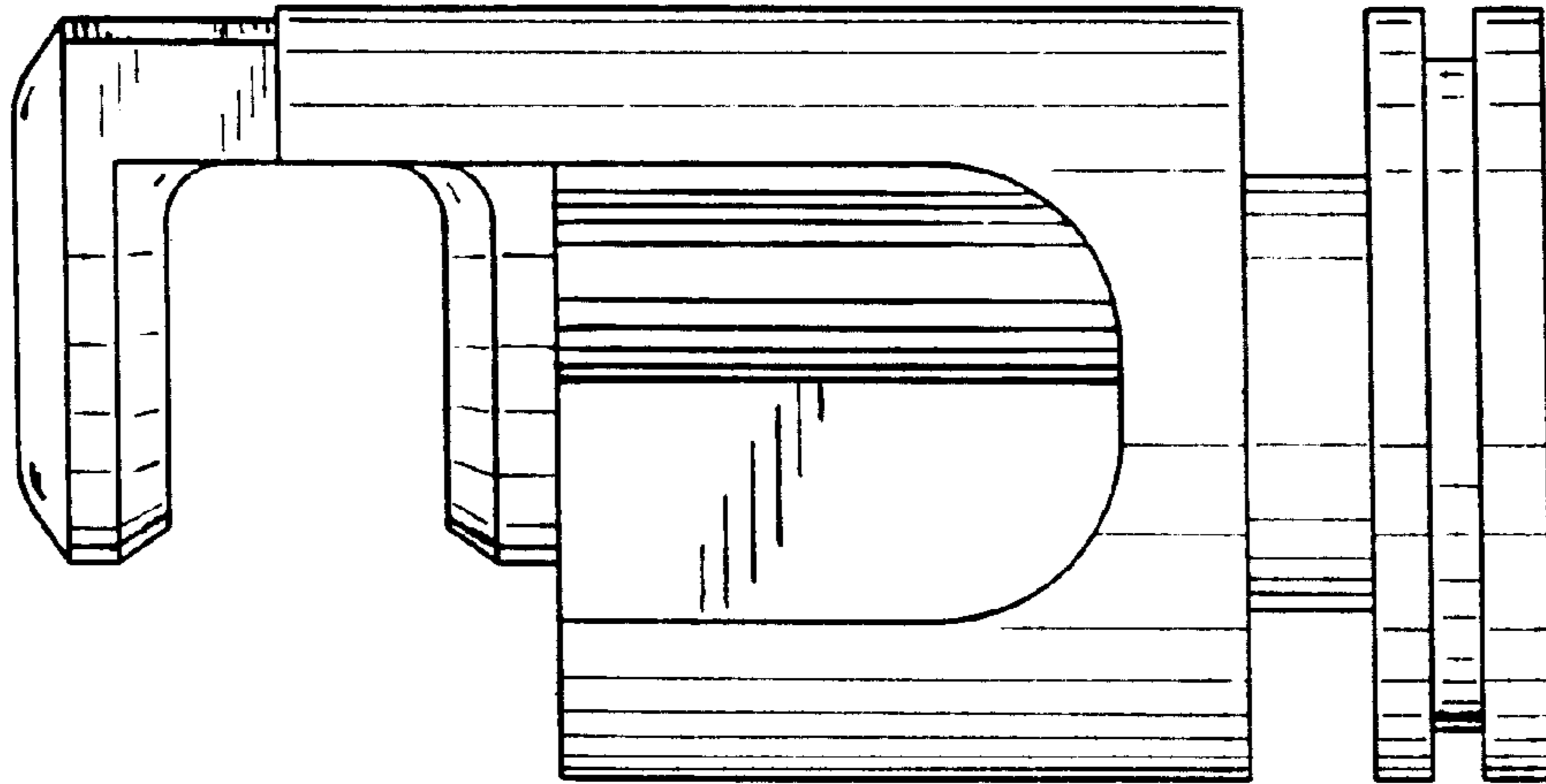


Fig. 6

