



US00D457530S

(12) **United States Design Patent**  
**Amron**

(10) **Patent No.:**

**US D457,530 S**

(45) **Date of Patent:**

**\*\* May 21, 2002**

(54) **COMBINED FRAME DIGITAL IMAGE  
PLAYER AND RECORDER**

D418,503 S \* 1/2000 Amron

D418,829 S \* 1/2000 Amron

D419,987 S \* 2/2000 Amron

D420,662 S \* 2/2000 Amron

(76) **Inventor:** Alan Amron, P.O. Box 42, Woodbury,  
NY (US) 11797

\* cited by examiner

(\*\*) **Term:** 14 Years

*Primary Examiner*—M. H. Tung

(21) **Appl. No.:** 29/107,078

(57) **CLAIM**

(22) **Filed:** Jun. 25, 1999

The ornamental design for a combined frame digital image player and recorder, substantially as shown and described.

(51) **LOC (7) Cl.** ..... 14-03

(52) **U.S. Cl.** ..... D14/496

(58) **Field of Search** ..... D14/496, 167,  
D14/168, 356; 386/104, 117-18; D16/202;  
345/905; 463/1, 43, 46

**DESCRIPTION**

FIG. 1 is a front plan view of the combined frame digital image player and recorder of the present invention;  
FIG. 2 is a rear plan view;  
FIG. 3 is a side plan view (right side as seen in FIG. 1);  
FIG. 4 is a side plan view (left side as seen in FIG. 1);  
FIG. 5 is a top plan view; and,  
FIG. 6 is a bottom plan view.

(56) **References Cited**

**U.S. PATENT DOCUMENTS**

4,438,926 A \* 3/1984 Yokoi et al.

5,555,098 A \* 9/1996 Parulski

5,661,632 A \* 8/1997 Register

**1 Claim, 2 Drawing Sheets**

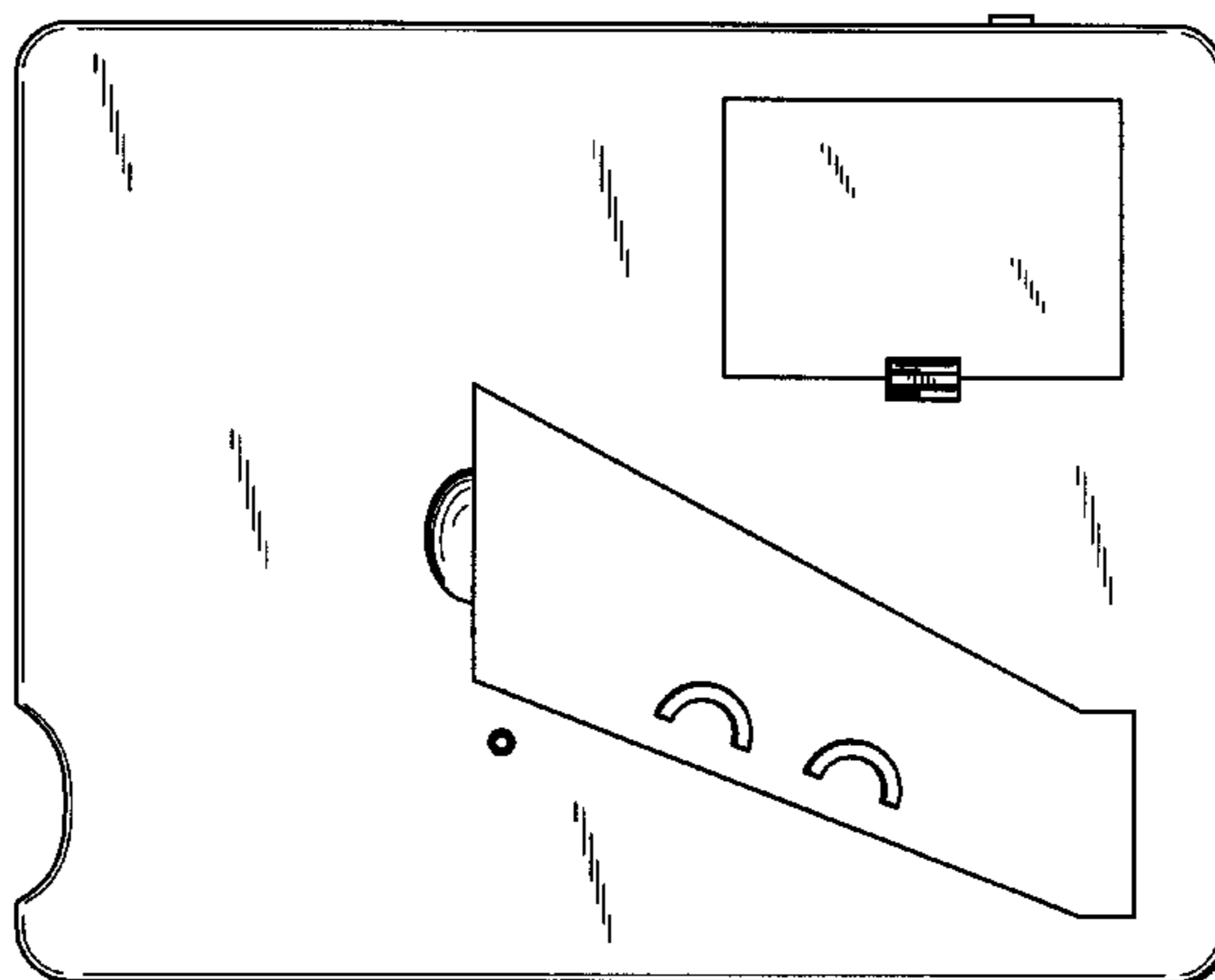
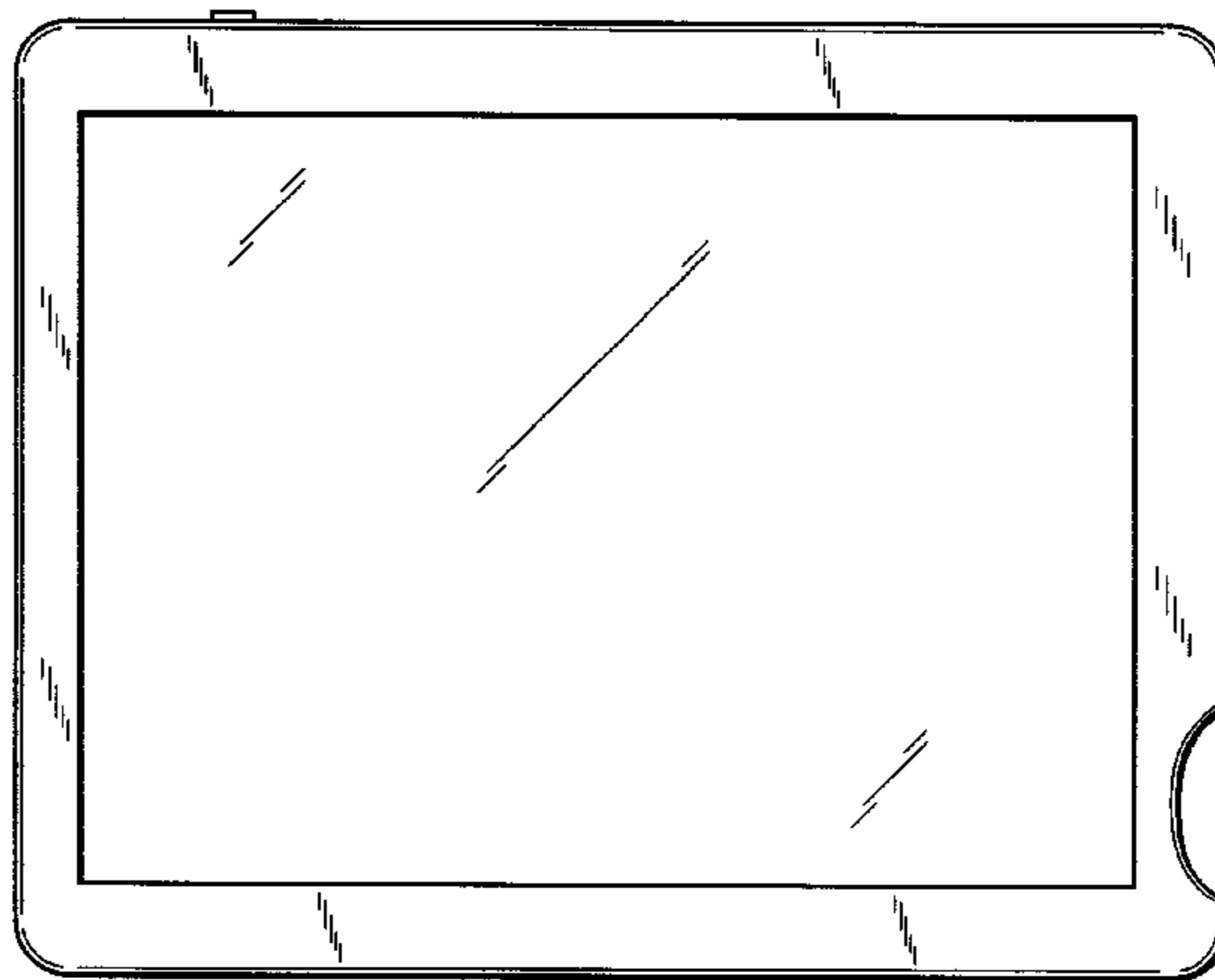


FIG. 1

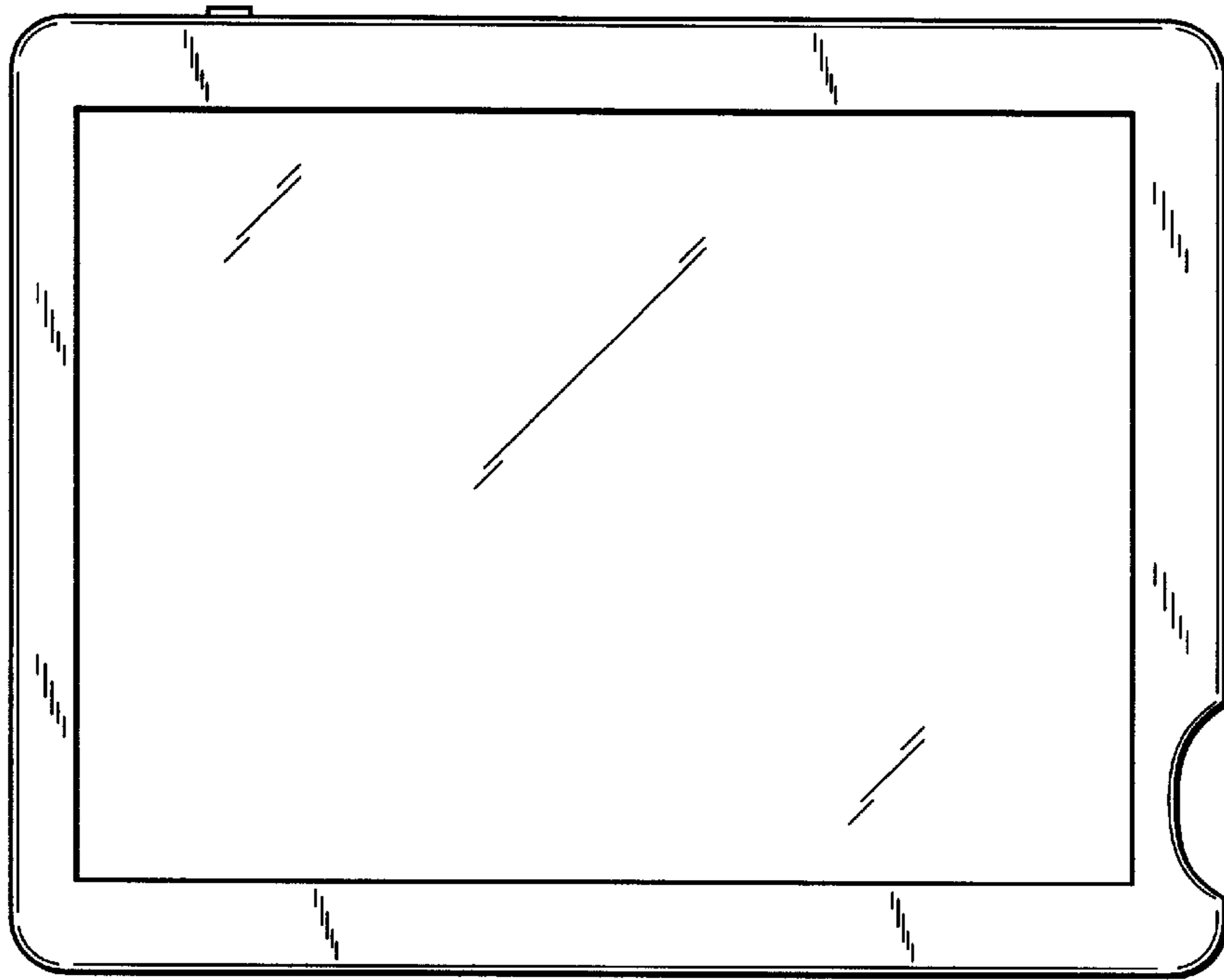


FIG. 2

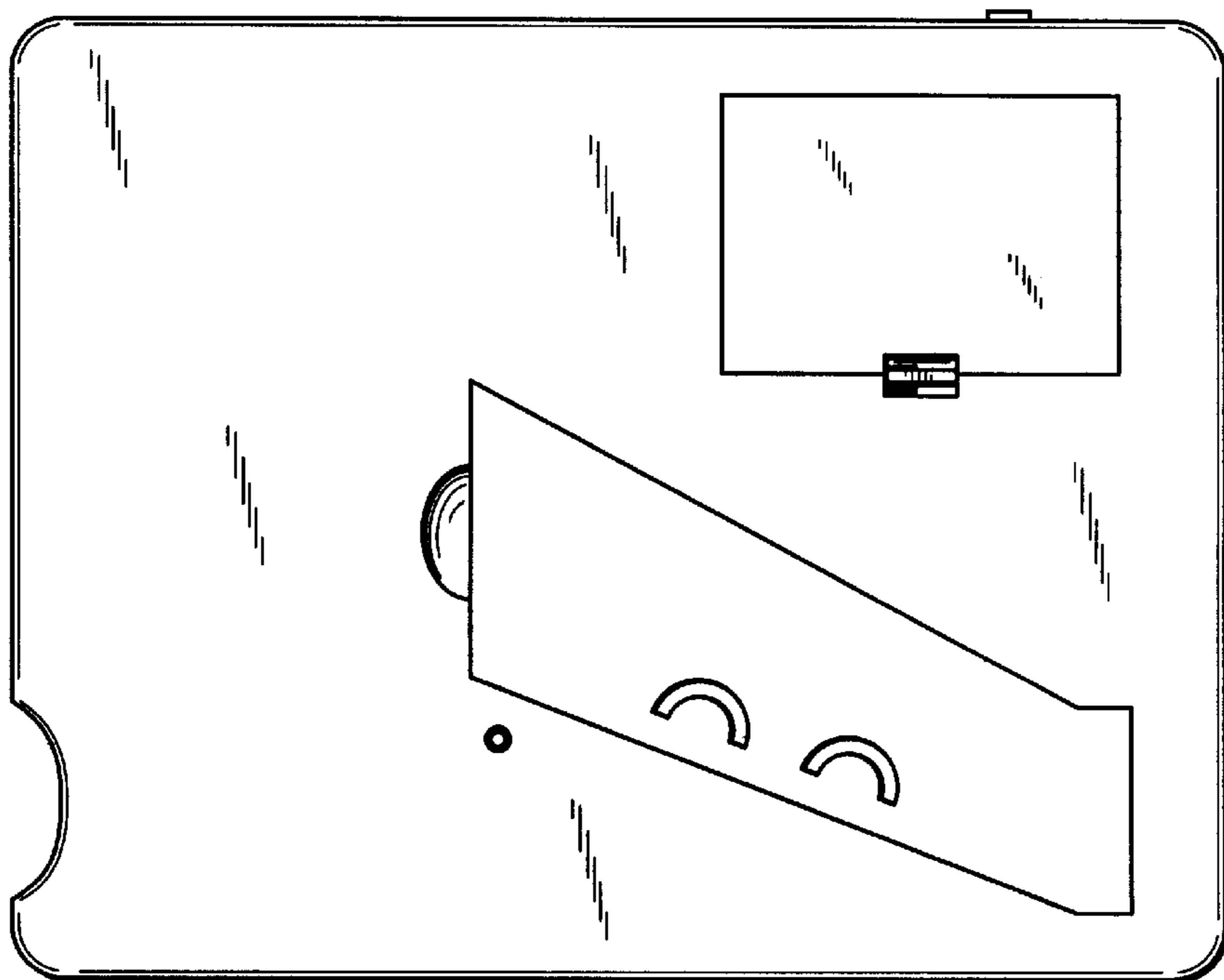


FIG. 3



FIG. 4

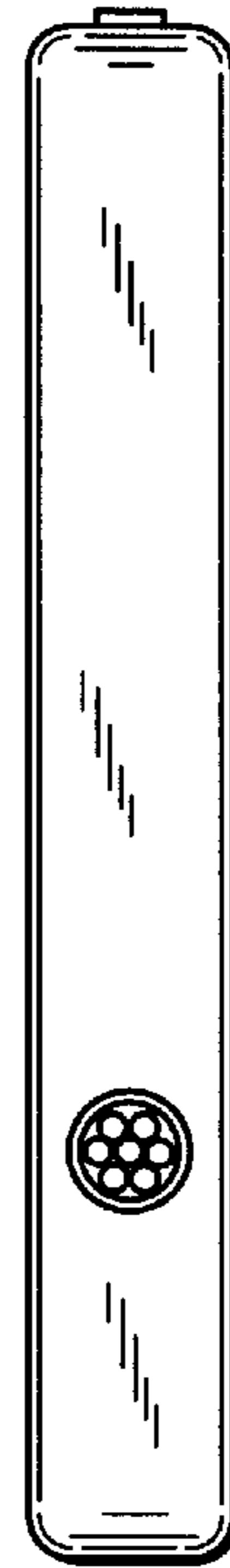


FIG. 5



FIG. 6

