



US00D457527S

(12) **United States Design Patent**  
**Manuel et al.**

(10) **Patent No.:** **US D457,527 S**

(45) **Date of Patent:** **\*\* May 21, 2002**

(54) **CHASSIS FOR A PERSONAL DIGITAL ASSISTANT**

(75) Inventors: **David Manuel**, Surrey; **Justine Smith**; **William Gordon**, both of Vancouver; **David Cirjak**, Burnaby, all of (CA)

(73) Assignee: **Intrinsyc Software, Inc.**, Vancouver (CA)

(\*\*) Term: **14 Years**

(21) Appl. No.: **29/137,558**

(22) Filed: **Feb. 26, 2001**

(51) **LOC (7) Cl.** ..... **14-02**

(52) **U.S. Cl.** ..... **D14/447**

(58) **Field of Search** ..... D14/300, 301, D14/314, 336, 337, 356, 432, 434, 447, 457; 361/680-686; D13/184, 199; 439/95, 248

(56) **References Cited**

**U.S. PATENT DOCUMENTS**

- D341,133 S \* 11/1993 Miyake et al. .... D14/357
- 5,452,180 A \* 9/1995 Register et al. .... 361/686
- D366,659 S \* 1/1996 Ross et al. .... D14/447
- D368,704 S \* 4/1996 Tanaka ..... D14/434

- D412,162 S \* 7/1999 Tal et al. .... D14/447
- D420,989 S \* 2/2000 Sandhu et al. .... D14/447
- D426,524 S 6/2000 Abed et al.
- D432,124 S \* 10/2000 Pardikes et al. .... D14/336
- D437,593 S \* 2/2001 Keeler et al. .... D14/336

\* cited by examiner

*Primary Examiner*—Freda Nunn

(74) *Attorney, Agent, or Firm*—Hall, Priddy, Myers & Vande Sande

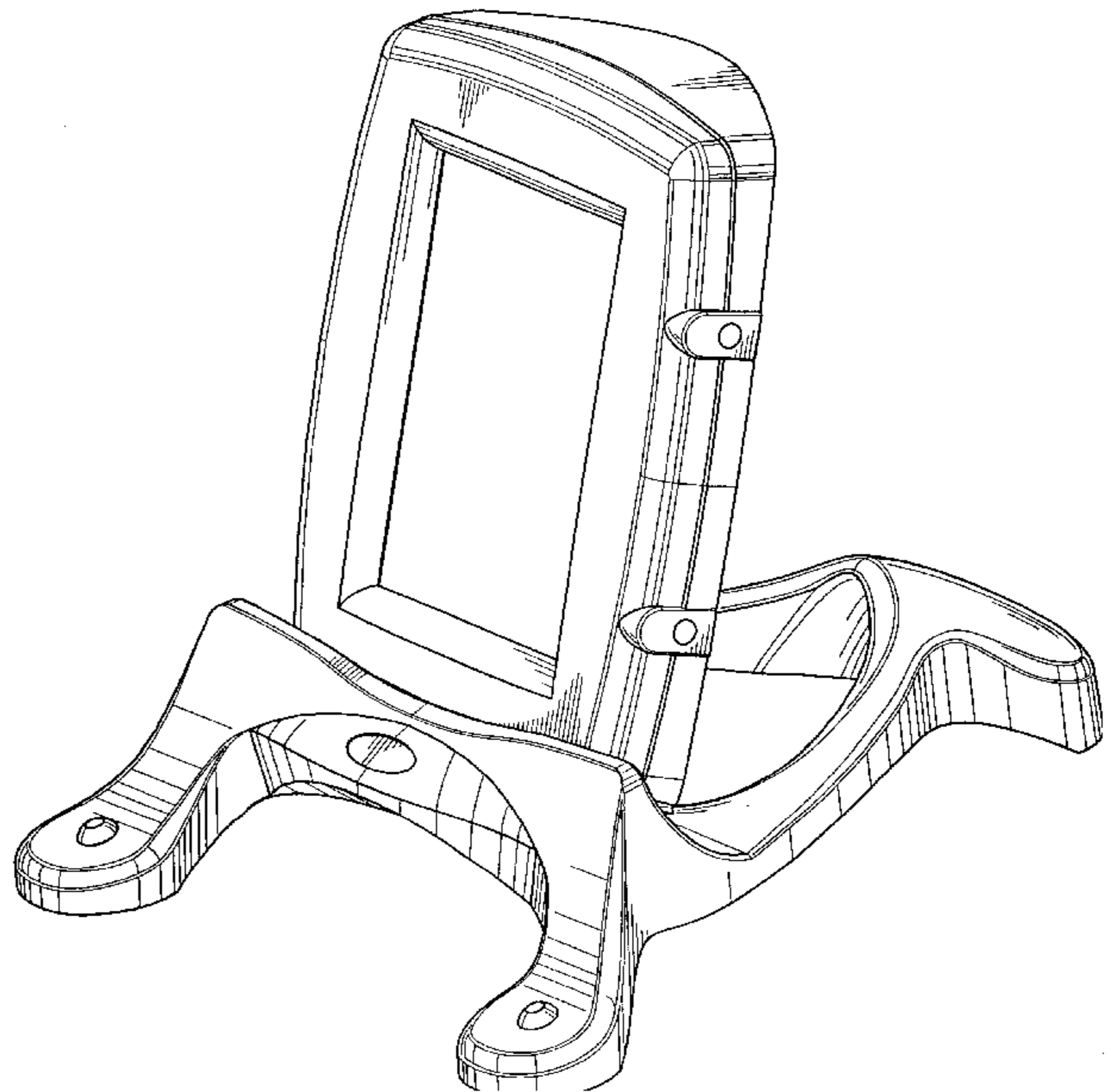
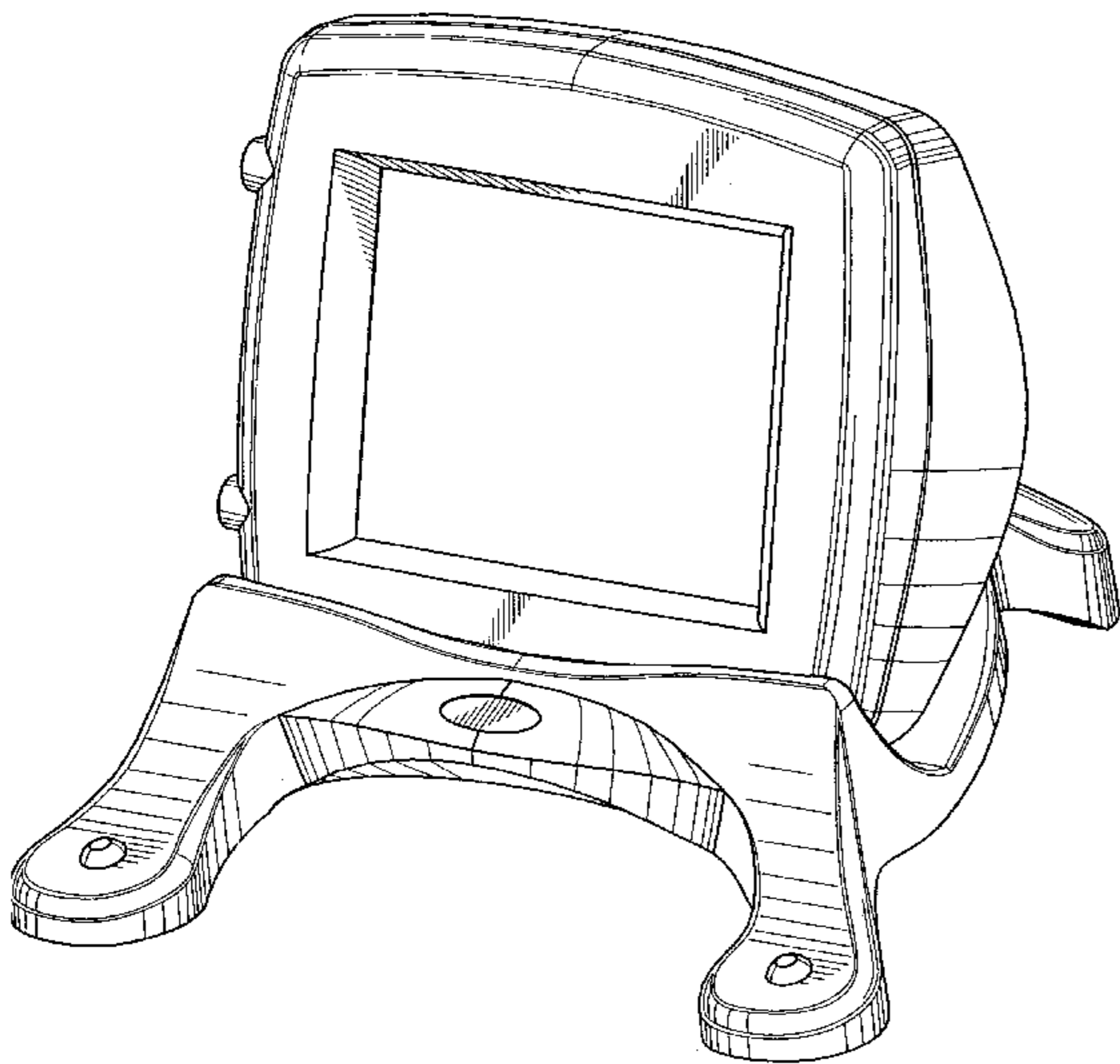
(57) **CLAIM**

The ornamental design for a chassis for a personal digital assistant, as shown.

**DESCRIPTION**

FIG. 1 is a perspective view of the front and right side in horizontal orientation of the article showing the new design; FIG. 2 is a front elevation view thereof; FIG. 3 is a rear elevation view thereof; FIG. 4. is a top plan view thereof; FIG. 5 is a bottom plan view thereof; FIG. 6 is a left side elevation view thereof; FIG. 7 is a right side elevation view thereof; and, FIG. 8 is a perspective view of the front and right side in an alternative orientation.

**1 Claim, 5 Drawing Sheets**



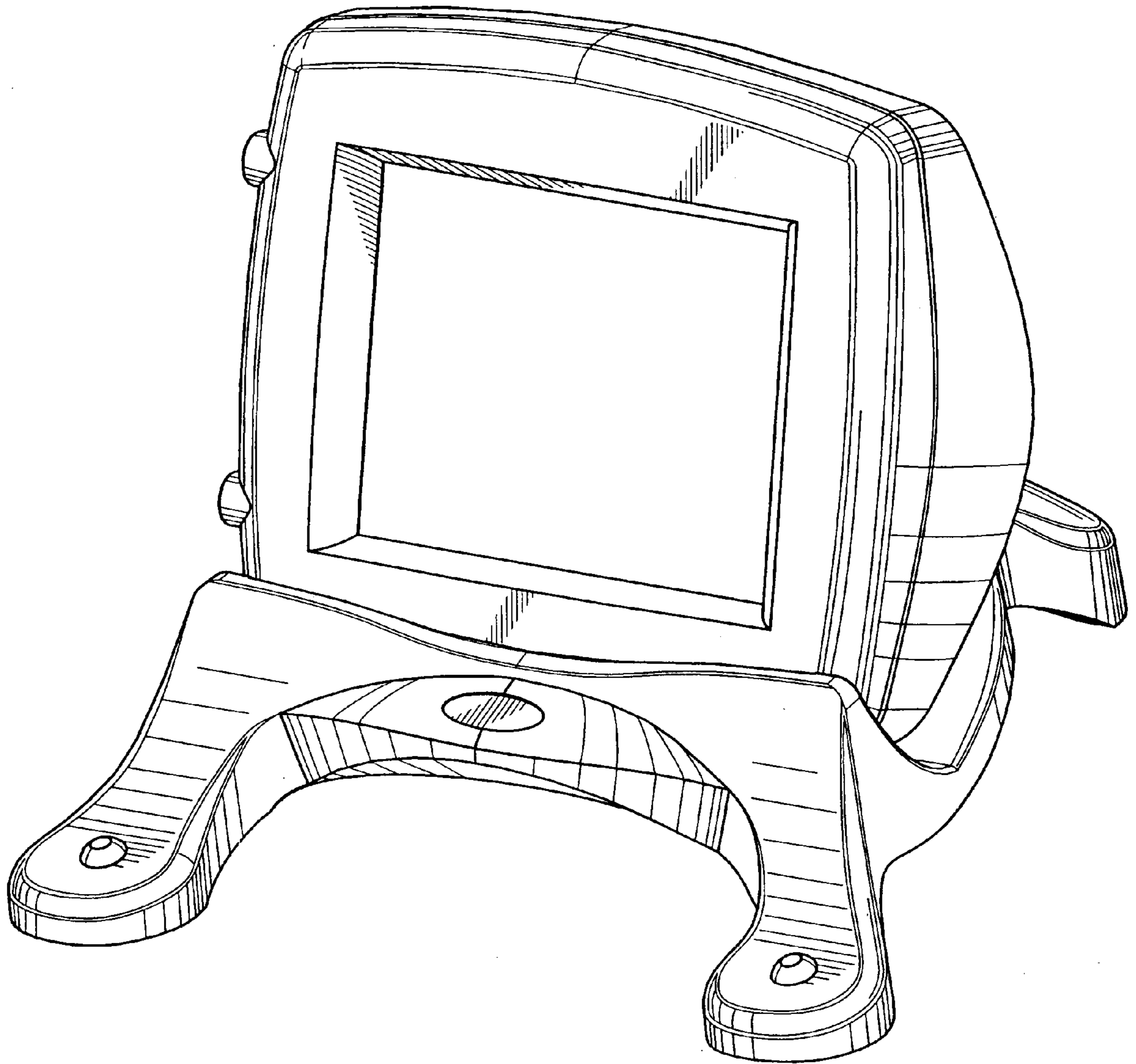


FIG. 1

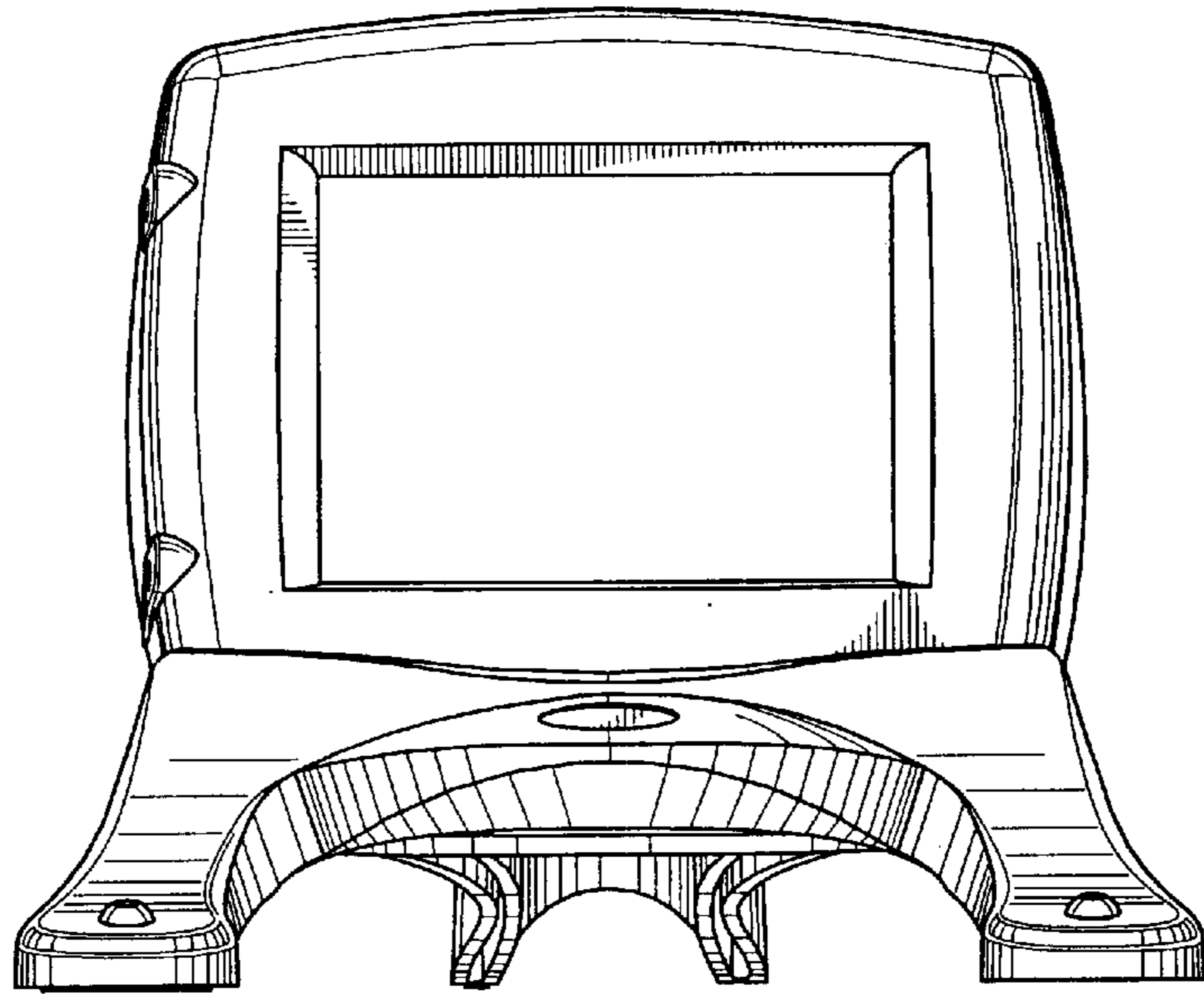


FIG. 2

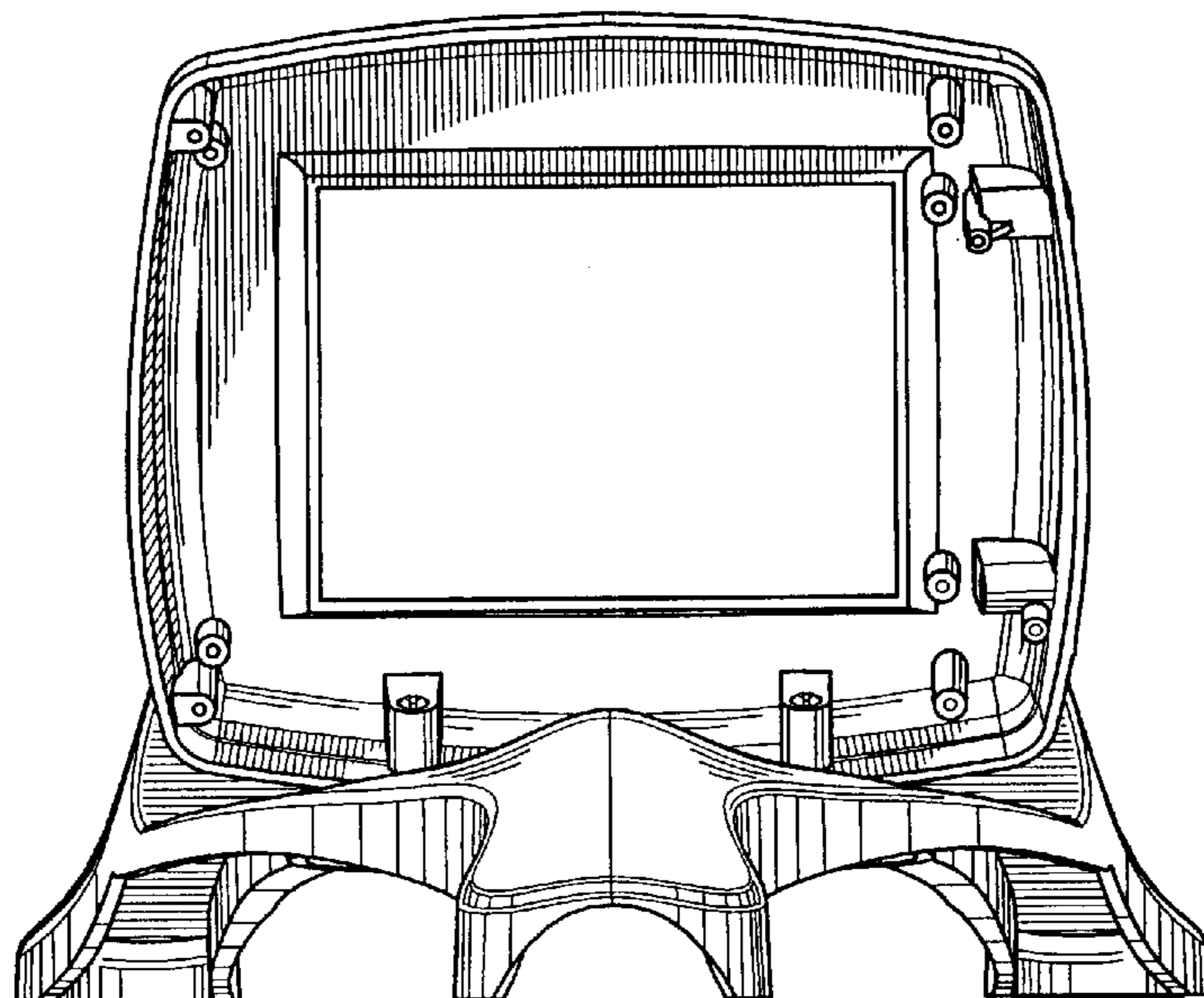


FIG. 3



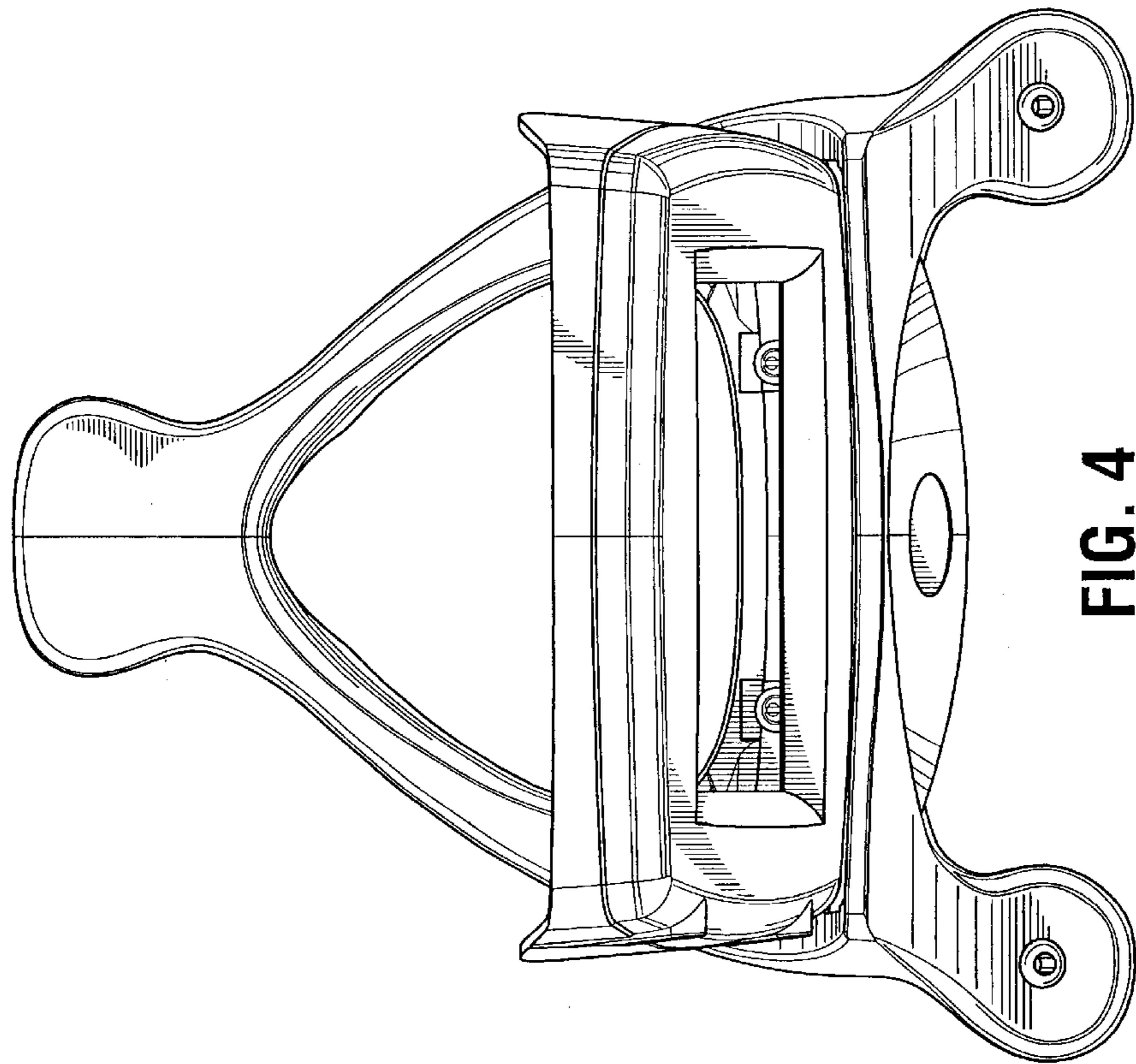


FIG. 4

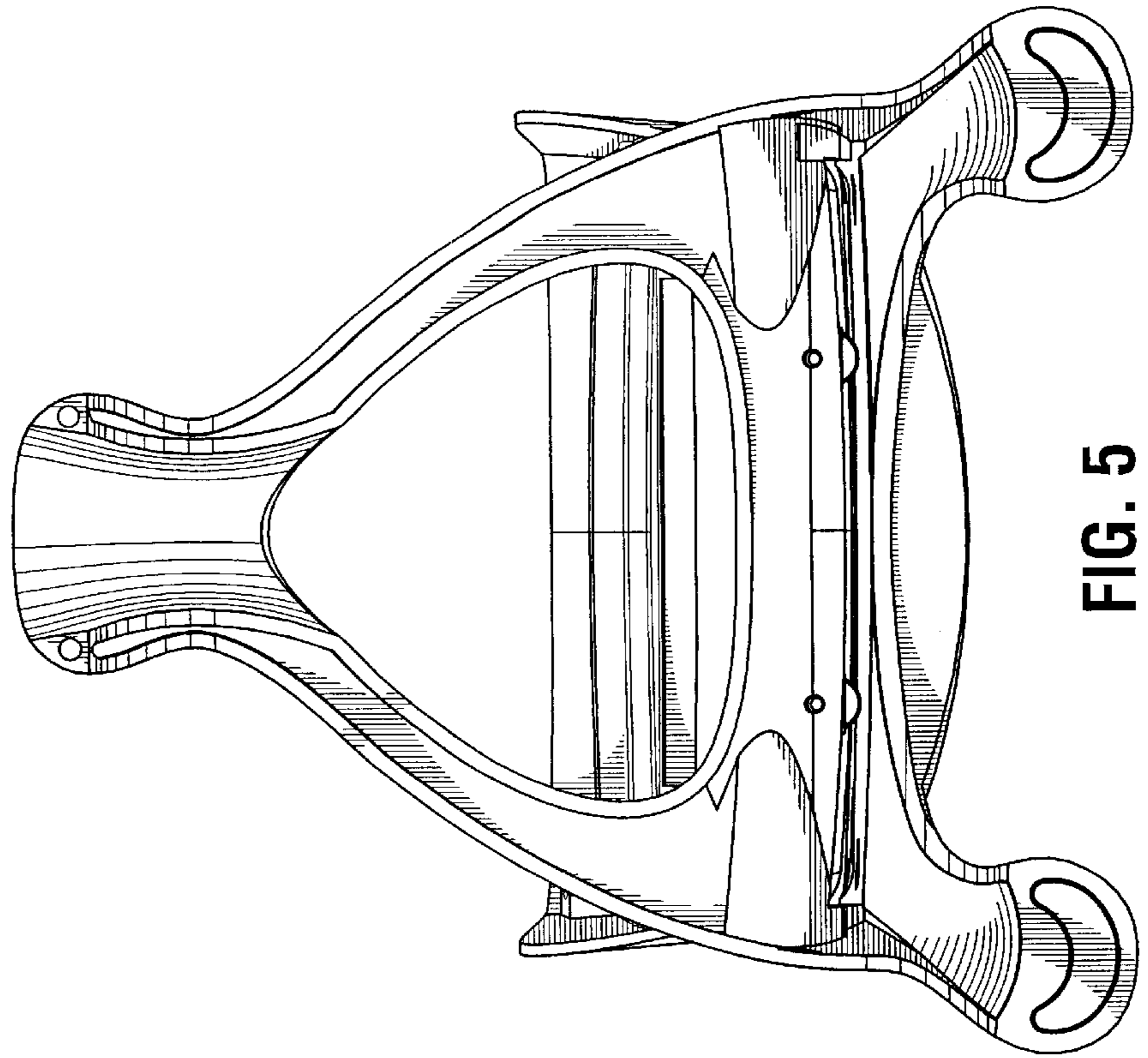
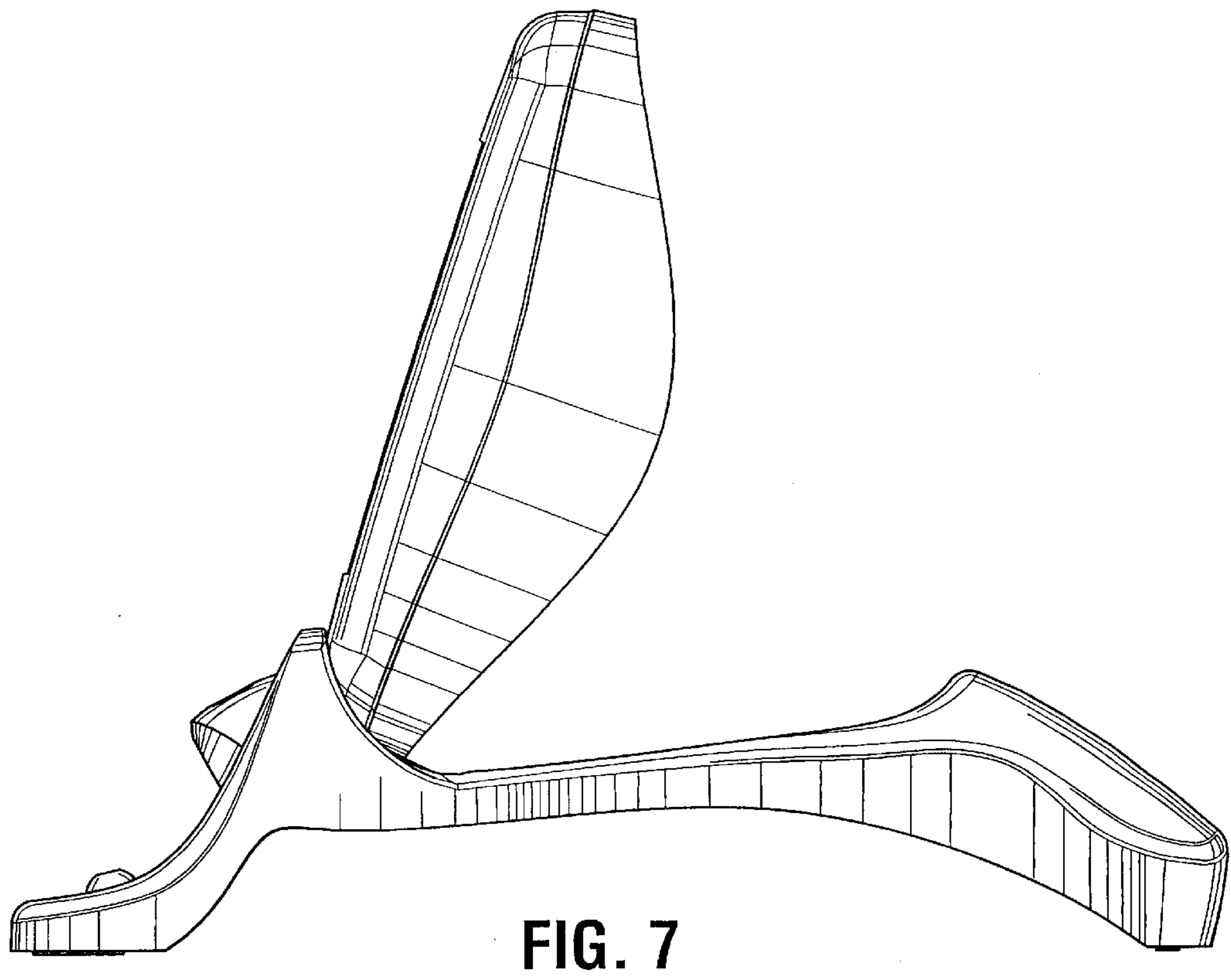
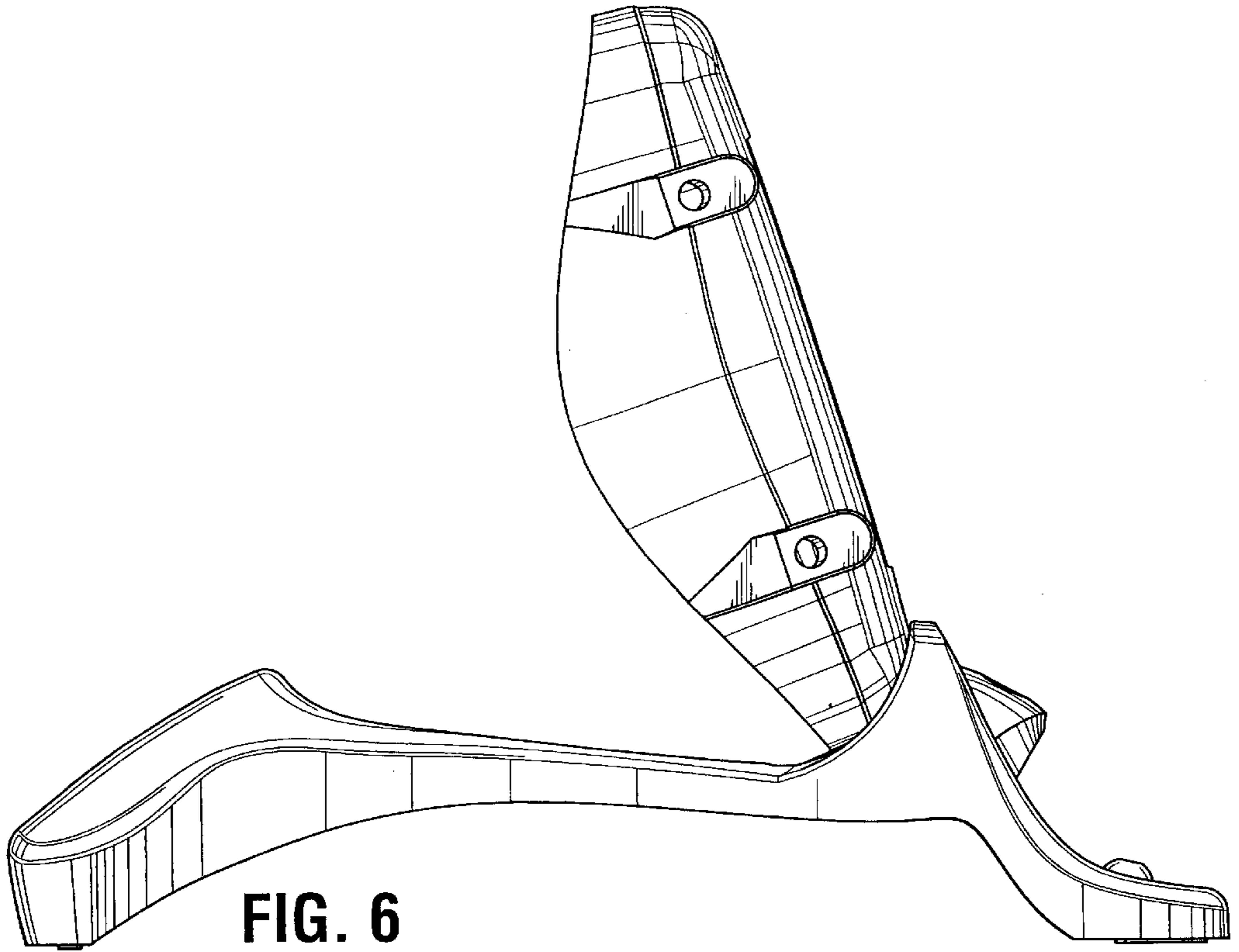
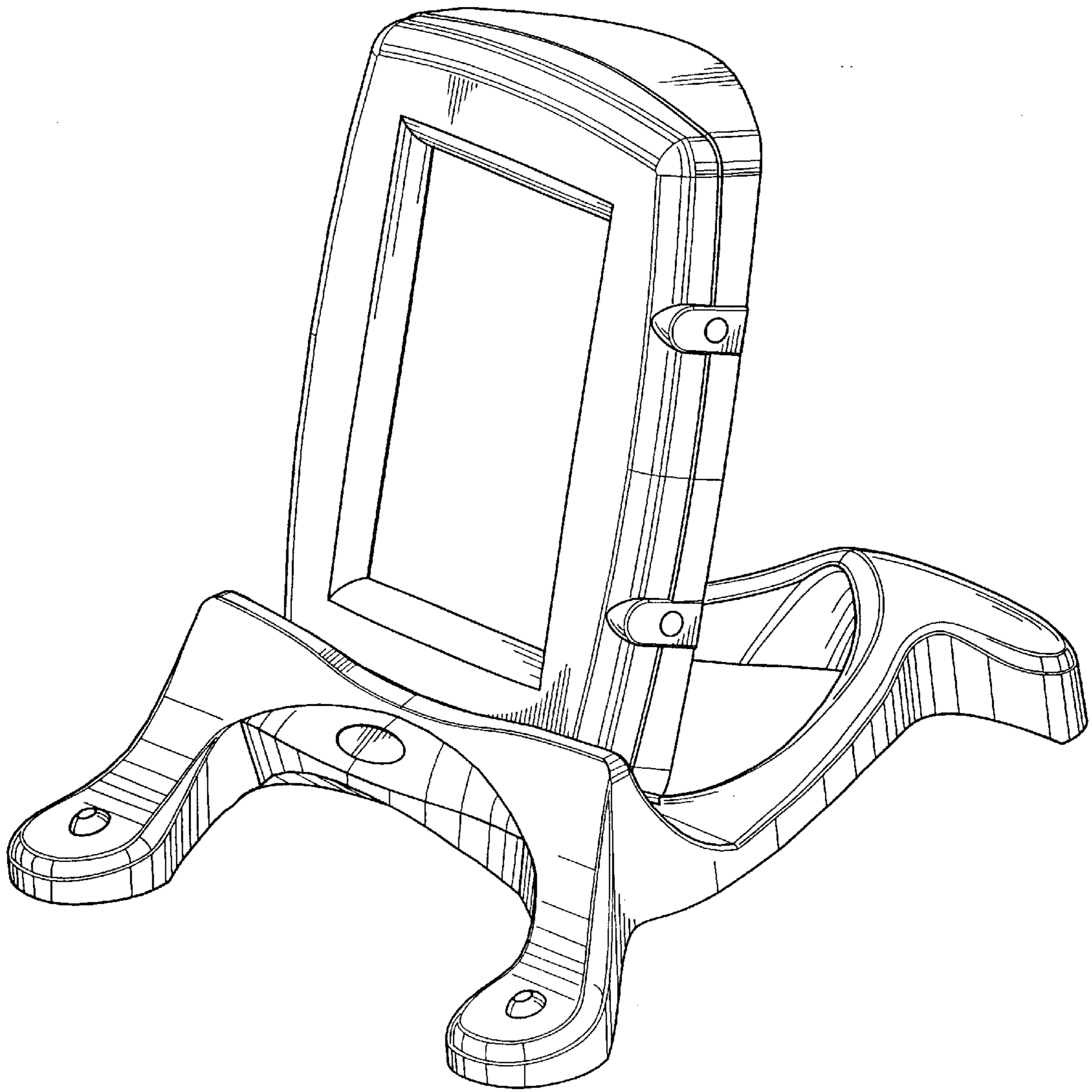


FIG. 5





**FIG. 8**