



US00D457526S

(12) **United States Design Patent**  
**Hawkins et al.**

(10) **Patent No.:** **US D457,526 S**

(45) **Date of Patent:** **\*\* May 21, 2002**

(54) **CHIP FOR PERSONAL DIGITAL ASSISTANT**

D434,410 S 11/2000 Frye et al. .... D14/248  
D434,898 S 12/2000 Jokinen et al. .... D3/218

(75) Inventors: **Jeffrey C. Hawkins**, Redwood City;  
**Peter Skillman**, San Carlos; **Martin Bone**, San Francisco, all of CA (US)

\* cited by examiner

*Primary Examiner*—Kay H. Chin

(73) Assignee: **Handspring, Inc.**, Mountain View, CA (US)

(74) *Attorney, Agent, or Firm*—Fenwick & West LLP

(\*\*) Term: **14 Years**

(57) **CLAIM**

The ornamental design for chip for personal digital assistant, as shown and described.

(21) Appl. No.: **29/139,869**

**DESCRIPTION**

(22) Filed: **Apr. 5, 2001**

(51) **LOC (7) Cl.** ..... **14-02**

(52) **U.S. Cl.** ..... **D14/434; D14/435**

(58) **Field of Search** ..... D14/432, 433,  
D14/434, 300, 356, 357; D13/184, 199;  
361/679-687; 200/5 R, 5 A, 6 R, 6 A

FIG. 1 is a front perspective view of a chip for personal digital assistant according to the present invention; FIG. 2 is a front elevational view thereof; FIG. 3 is a right elevational view thereof; FIG. 4 is a rear elevational view thereof; FIG. 5 is a front perspective view of a chip for personal digital assistant according to the present invention, connected to a personal digital assistant; FIG. 6 is a right elevational view thereof; and, FIG. 7 is a rear elevational view thereof.

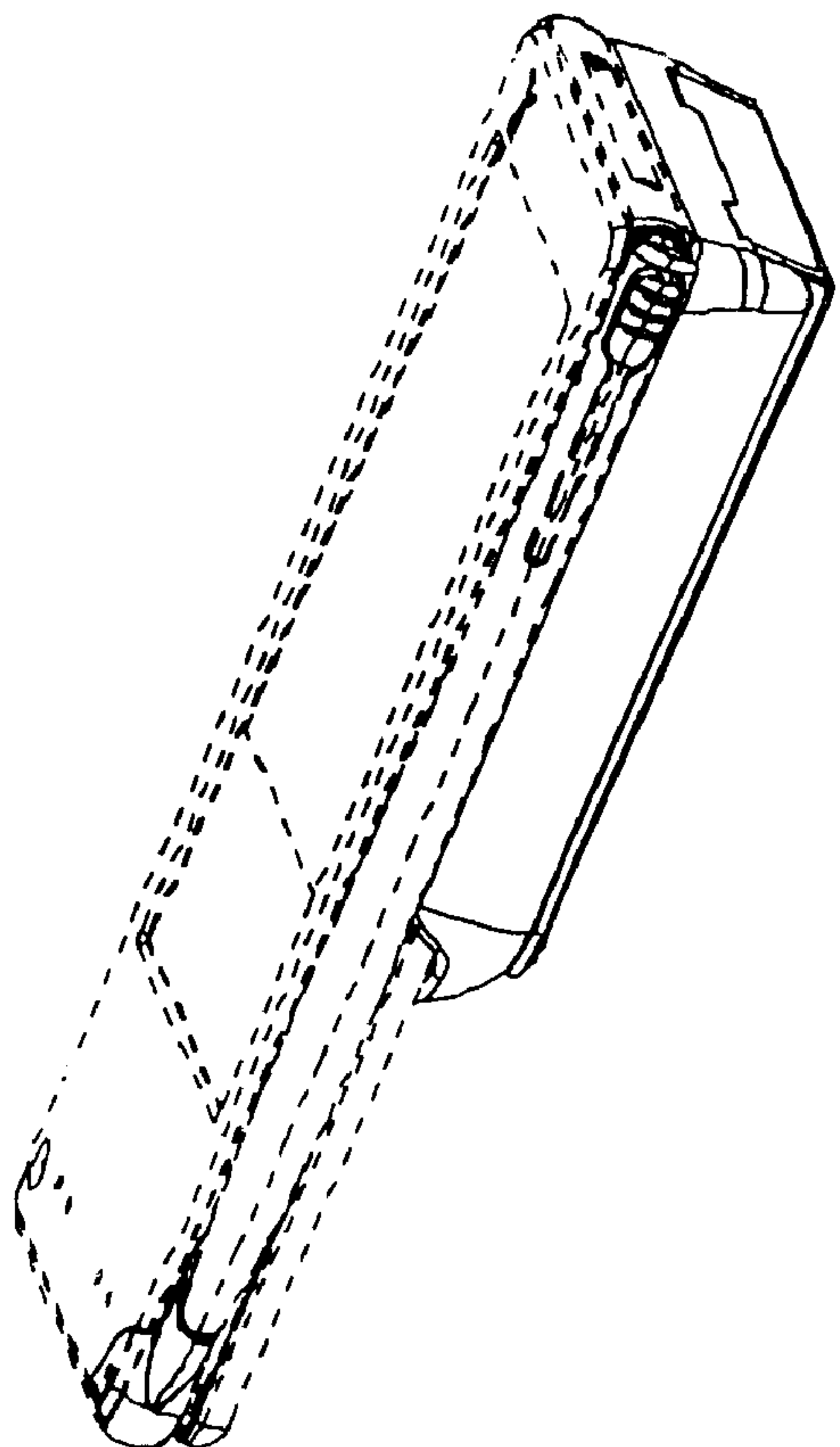
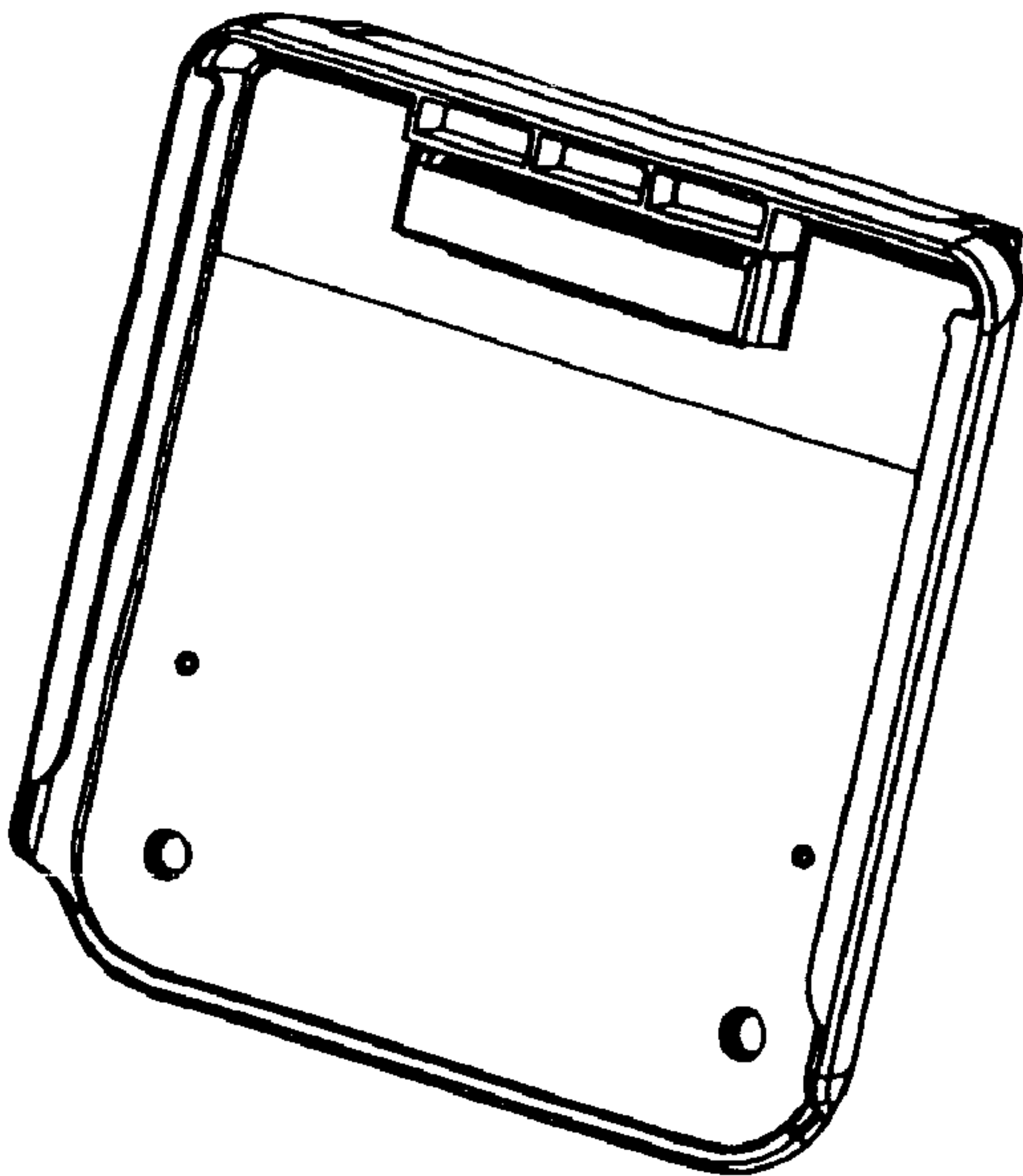
The broken line showing of a personal digital assistant is for illustrative purposes only and forms no part of the claimed design.

(56) **References Cited**

**U.S. PATENT DOCUMENTS**

D363,473 S	*	10/1995	Leman	.....	D14/434
D397,679 S		9/1998	Hawkins et al.	.....	D14/100
D411,824 S	*	7/1999	Wilson, Sr. et al.	.....	D13/108
D416,256 S		11/1999	Griffin et al.	.....	D14/191
D433,002 S		10/2000	Kolinen	.....	D14/138

**1 Claim, 2 Drawing Sheets**



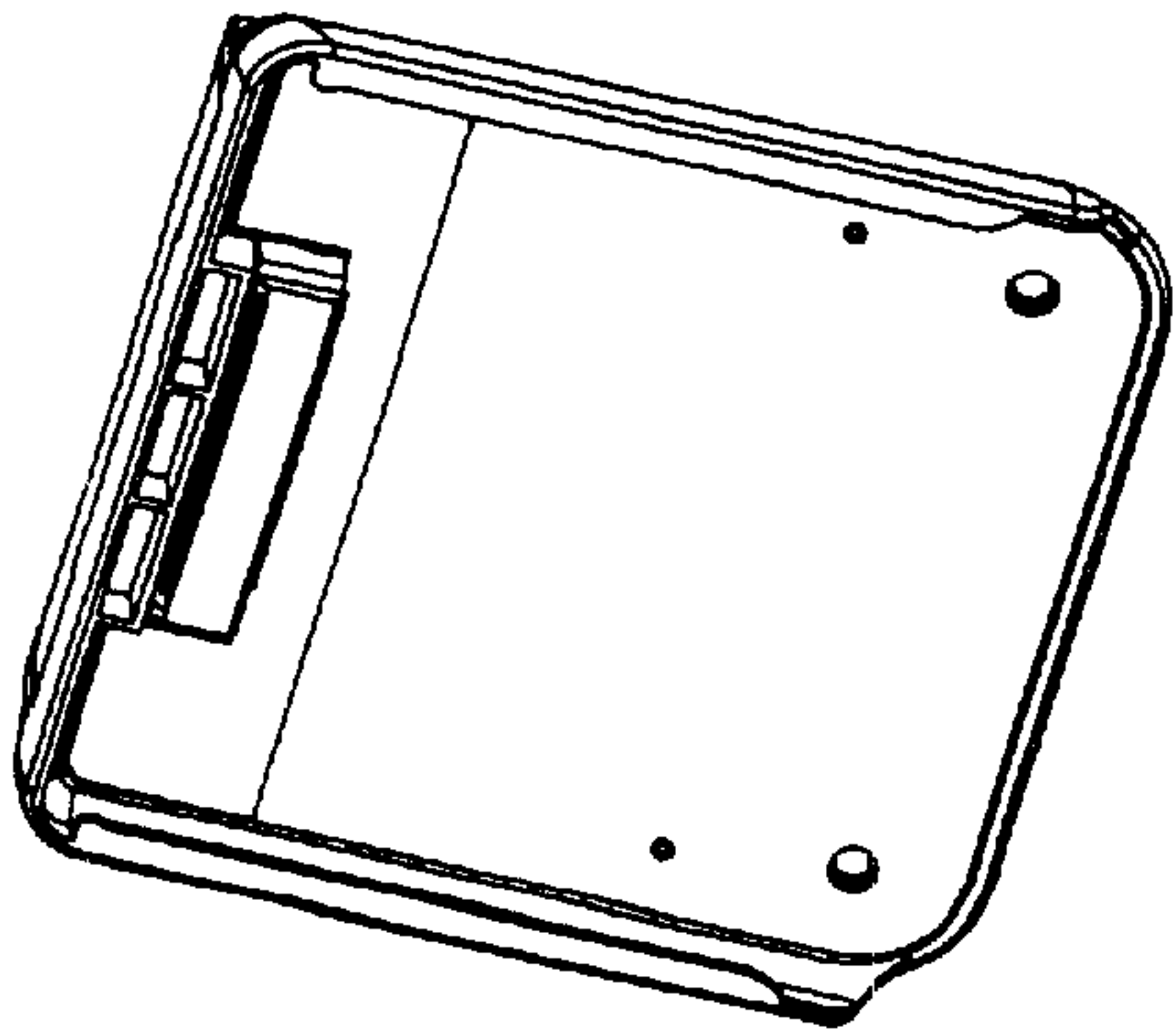


FIG. 1

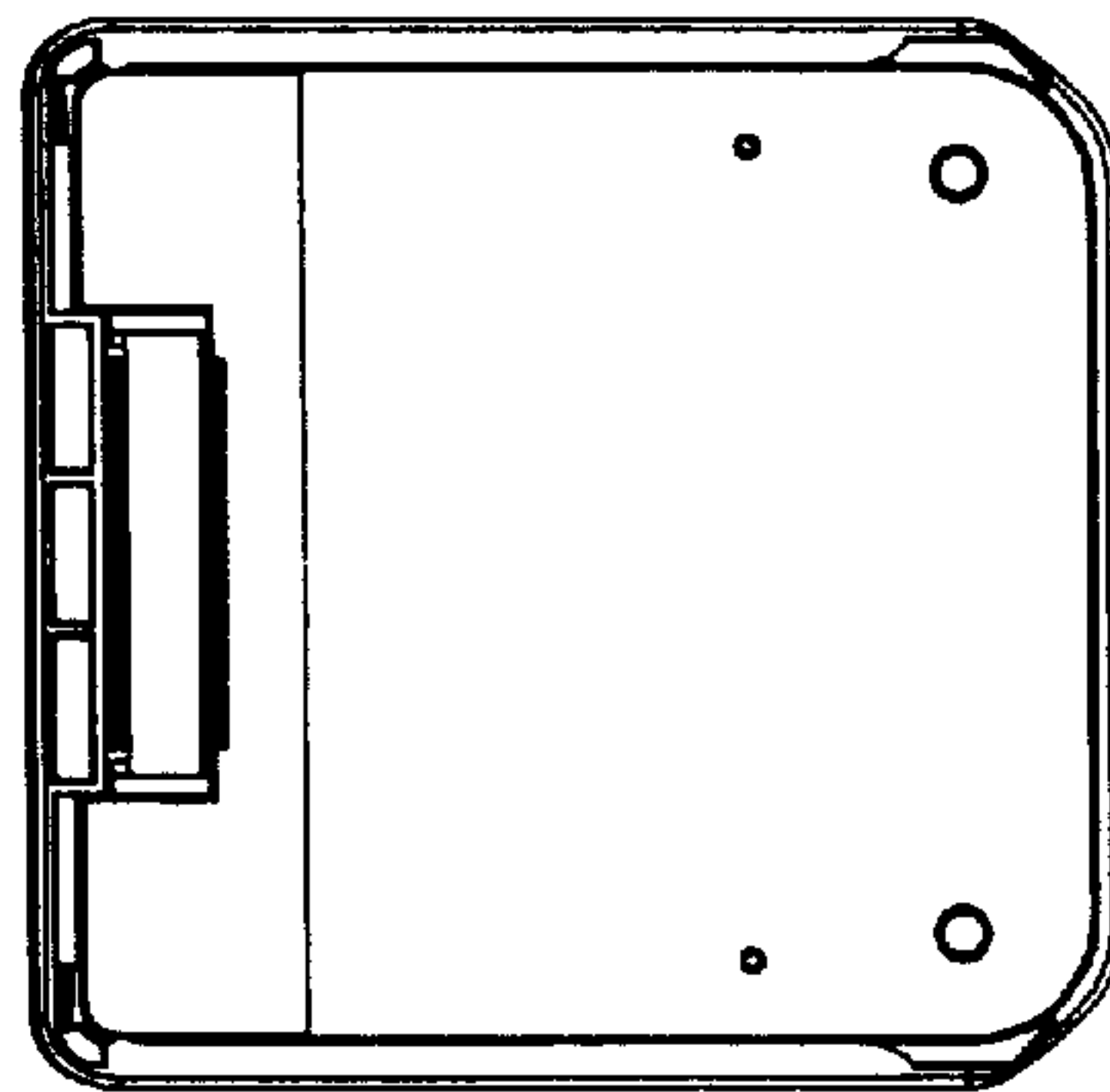


FIG. 2

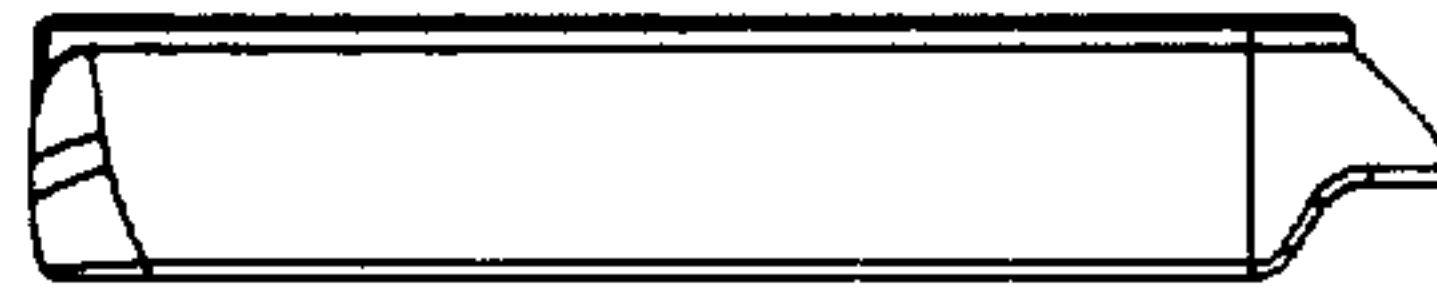


FIG. 3

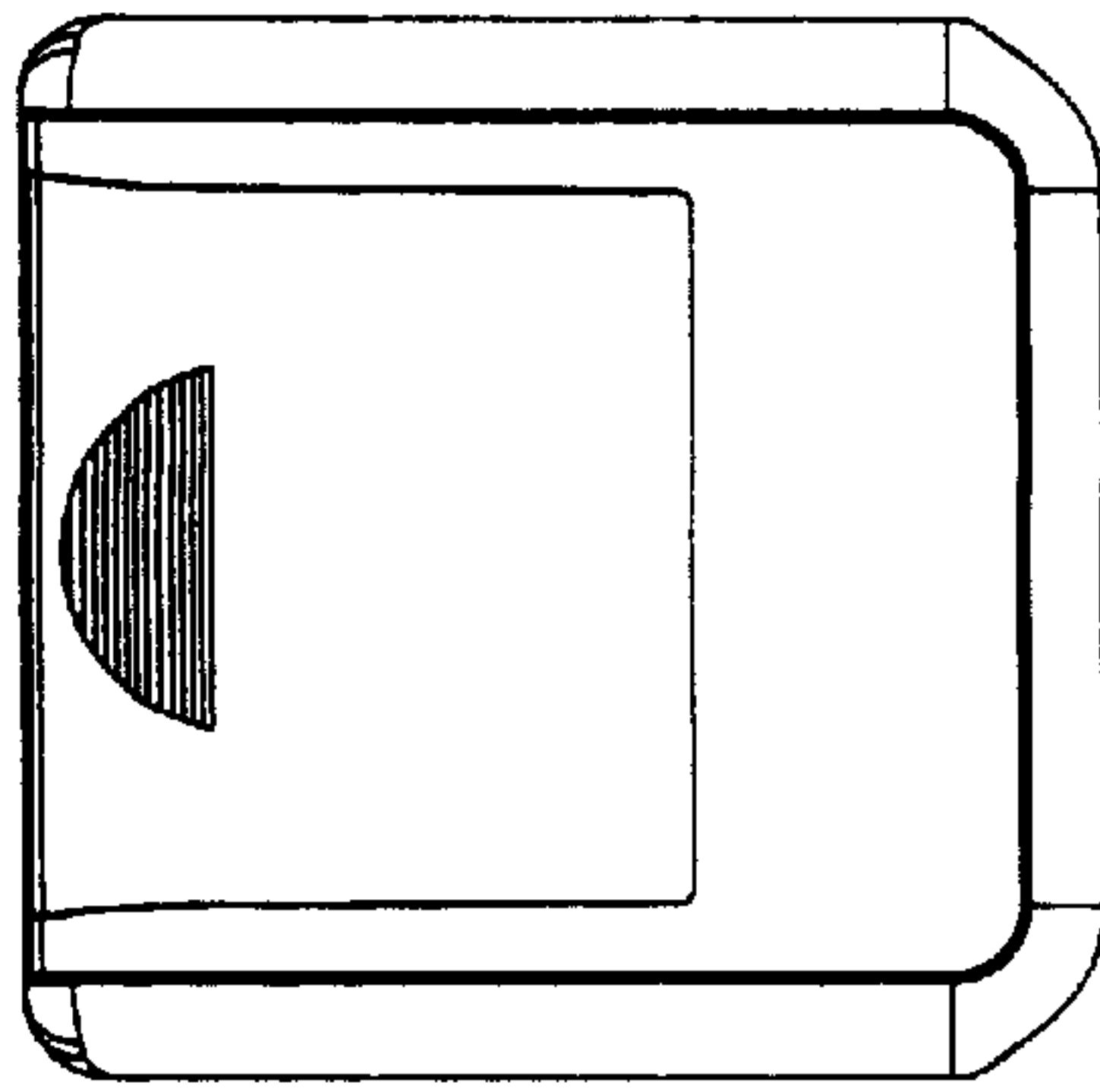


FIG. 4

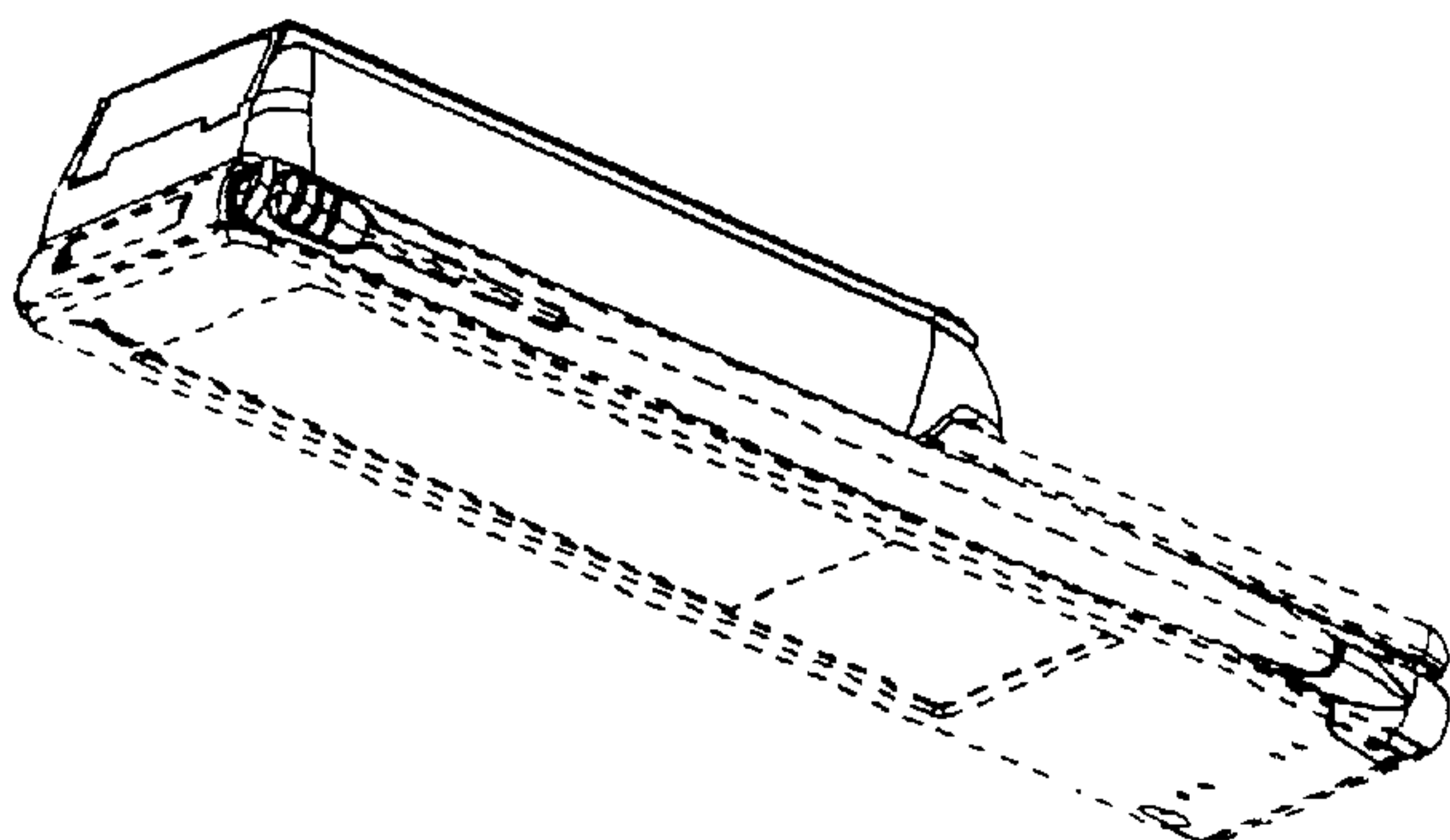


FIG. 5

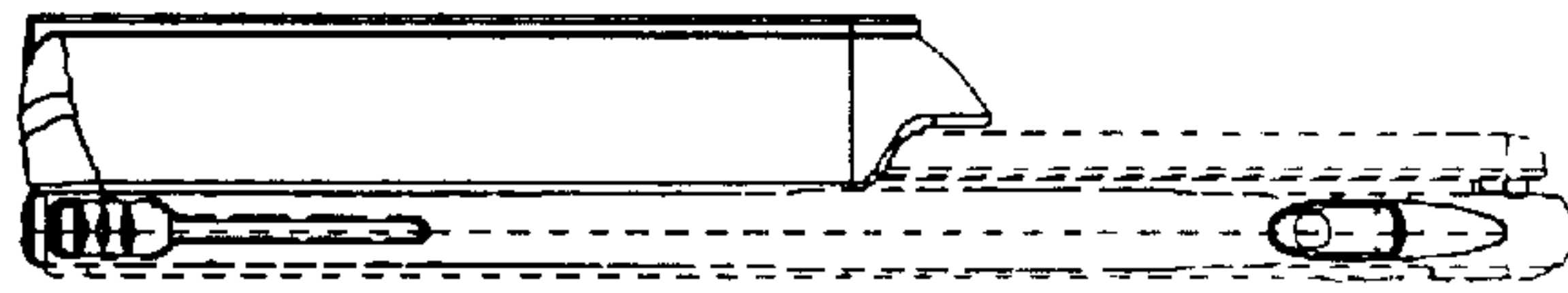


FIG. 6

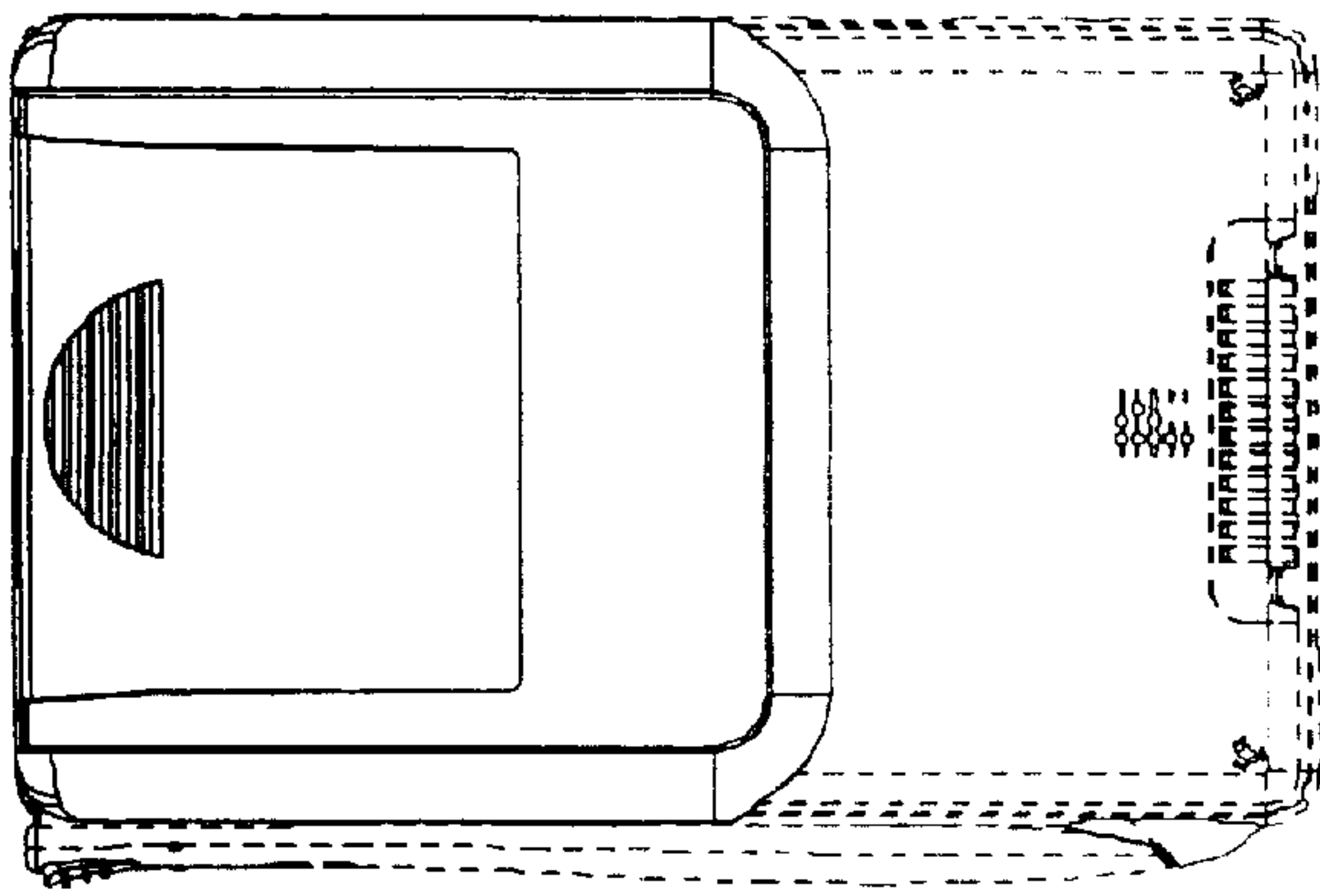


FIG. 7