



US00D457525S

(12) **United States Design Patent**
Olodort et al.

(10) **Patent No.:** **US D457,525 S**

(45) **Date of Patent:** **** May 21, 2002**

(54) **FOLDING KEYBOARD**

(75) Inventors: **Robert Olodort**, Santa Monica; **John Tang**, San Carlos; **Peter M. Cazalet**, Campbell; **Sung Kim**, Palo Alto; **Arturo Meuniot**, San Francisco; **Benjamin Pei-Ming Chia**, Cupertino; **Robert D. Brunner**, Los Gatos, all of CA (US)

(73) Assignee: **Think Outside, Inc.**, Carlsbad, CA (US)

(**) Term: **14 Years**

(21) Appl. No.: **29/137,858**

(22) Filed: **Feb. 27, 2001**

Related U.S. Application Data

(63) Continuation-in-part of application No. 09/540,669, filed on Mar. 31, 2000.

(60) Provisional application No. 60/127,651, filed on Apr. 2, 1999.

(51) **LOC (7) Cl.** **14-02**

(52) **U.S. Cl.** **D14/396**

(58) **Field of Search** D14/393, 394, D14/396, 341, 247; D18/1, 7, 11, 12, 2; 178/17 A, 17 C; 235/145 A, 145 R; 200/5 A, 5 R, 6 A, 6 R; 345/168, 169; 341/22, 23; 361/680-686; 400/472, 479, 484-486, 488, 489, 492

(56) **References Cited**

U.S. PATENT DOCUMENTS

- 3,940,758 A * 2/1976 Margolin 345/169
- 5,457,453 A * 10/1995 Chiu et al. 341/22
- 5,502,460 A * 3/1996 Bowen 345/168
- 5,653,543 A * 8/1997 Abe 400/489
- 5,703,578 A * 12/1997 Allison 341/22
- 5,712,760 A * 1/1998 Coulon et al. 361/680
- D390,549 S * 2/1998 Tsai D14/393
- 5,943,041 A * 8/1999 Allison et al. 345/168
- D413,581 S * 9/1999 Park D14/341

- 5,995,025 A * 11/1999 Sternglass et al. 341/22
- D420,655 S * 2/2000 Louis et al. D14/396
- 6,025,986 A * 2/2000 Sternglass et al. 361/680

* cited by examiner

Primary Examiner—Freda Nunn

(74) *Attorney, Agent, or Firm*—Blakely, Sokoloff, Taylor & Zafman LLP

(57) **CLAIM**

The ornamental design for a folding keyboard, as shown and described.

DESCRIPTION

FIG. 1 shows a front, perspective view of a folding keyboard, in a folded state.

FIG. 2 shows a back, perspective view of a folding keyboard, in a folded state.

FIG. 3 shows a top, side view of a folding keyboard, in a folded state.

FIG. 4 shows a bottom, side view of a folding keyboard, in a folded state.

FIG. 5 shows a back, right view of a folding keyboard, in a folded state.

FIG. 6 shows a back, left view of a folding keyboard, in a folded state.

FIG. 7 shows a front, side view of a folding keyboard, in a folded state.

FIG. 8 shows a back, side view of a folding keyboard, in a folded state.

FIG. 9 shows a back, perspective view of a folding keyboard in a partially folded state.

FIG. 10 shows a front, perspective view of a folding keyboard in a partially folded state.

FIG. 11 shows a back, perspective view of a folding keyboard in a partially folded state.

FIG. 12 shows a back view of a folding keyboard in an unfolded state.

FIG. 13 shows a top view of a folding keyboard in an unfolded state, with the outer sets of keys positioned away from the inner sets of keys.

FIG. 14 shows a top view of a folding keyboard in an unfolded state, with the outer sets of keys positioned next to the inner sets of keys.

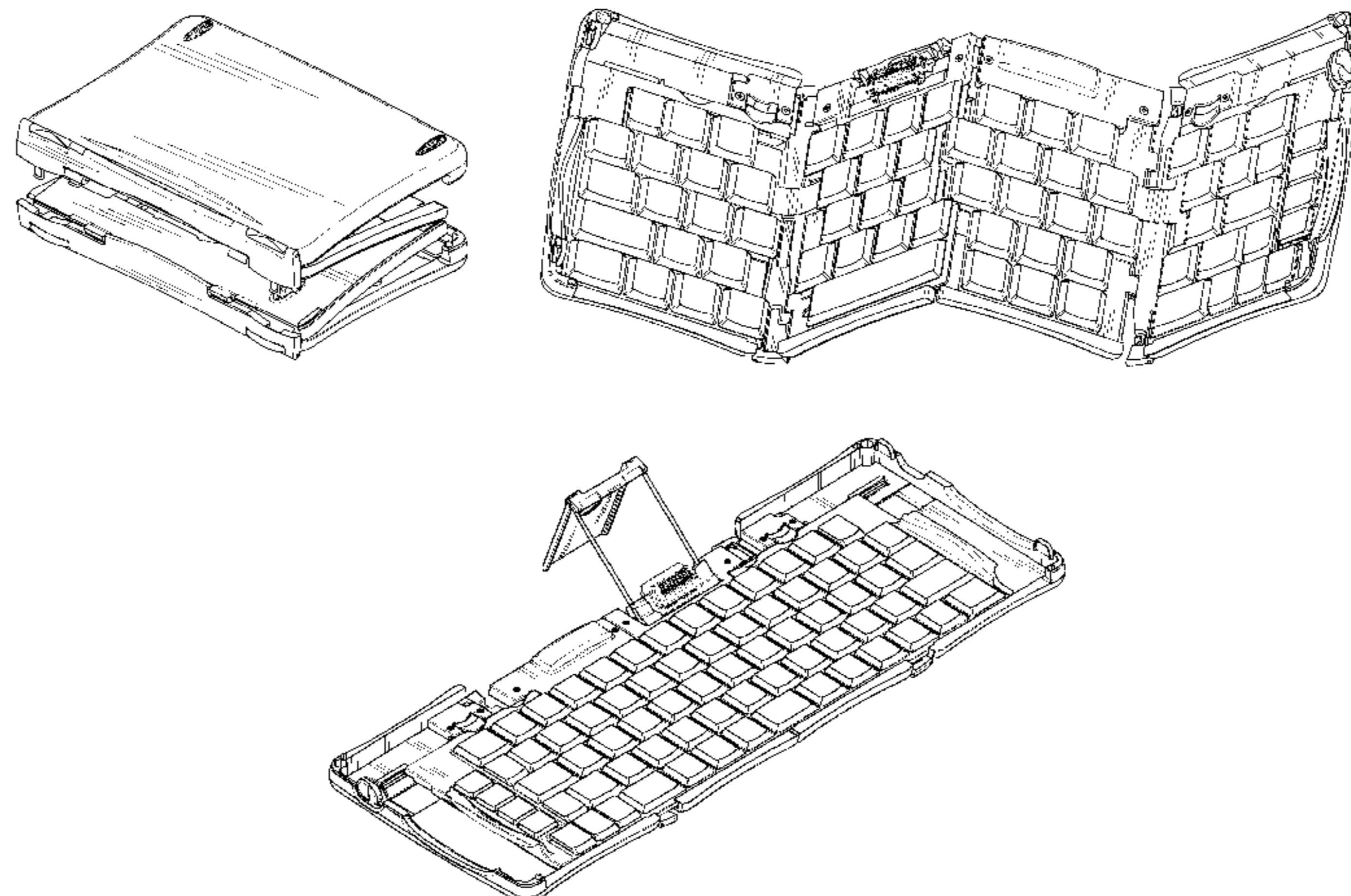


FIG. 15 shows a top view of a folding keyboard in an unfolded state, with the outer sets of keys positioned next to the inner sets of keys.

FIG. 16 shows a bottom, side view of the folding keyboard shown in FIG. 13.

FIG. 17 shows a left, side view of the folding keyboard shown in FIG. 13.

FIG. 18 shows a right, side view of the folding keyboard shown in FIG. 13.

FIG. 19 shows a back, perspective view of a folding keyboard in an unfolded state, with a support member partially extended.

FIG. 20 shows a back, perspective view of a folding keyboard in an unfolded state, with a support member fully extended; and,

FIG. 21 shows a top, perspective view of a folding keyboard in an unfolded state with a support member fully extended.

FIGS. 3-8 are drawn on a slightly reduced scale.

1 Claim, 13 Drawing Sheets

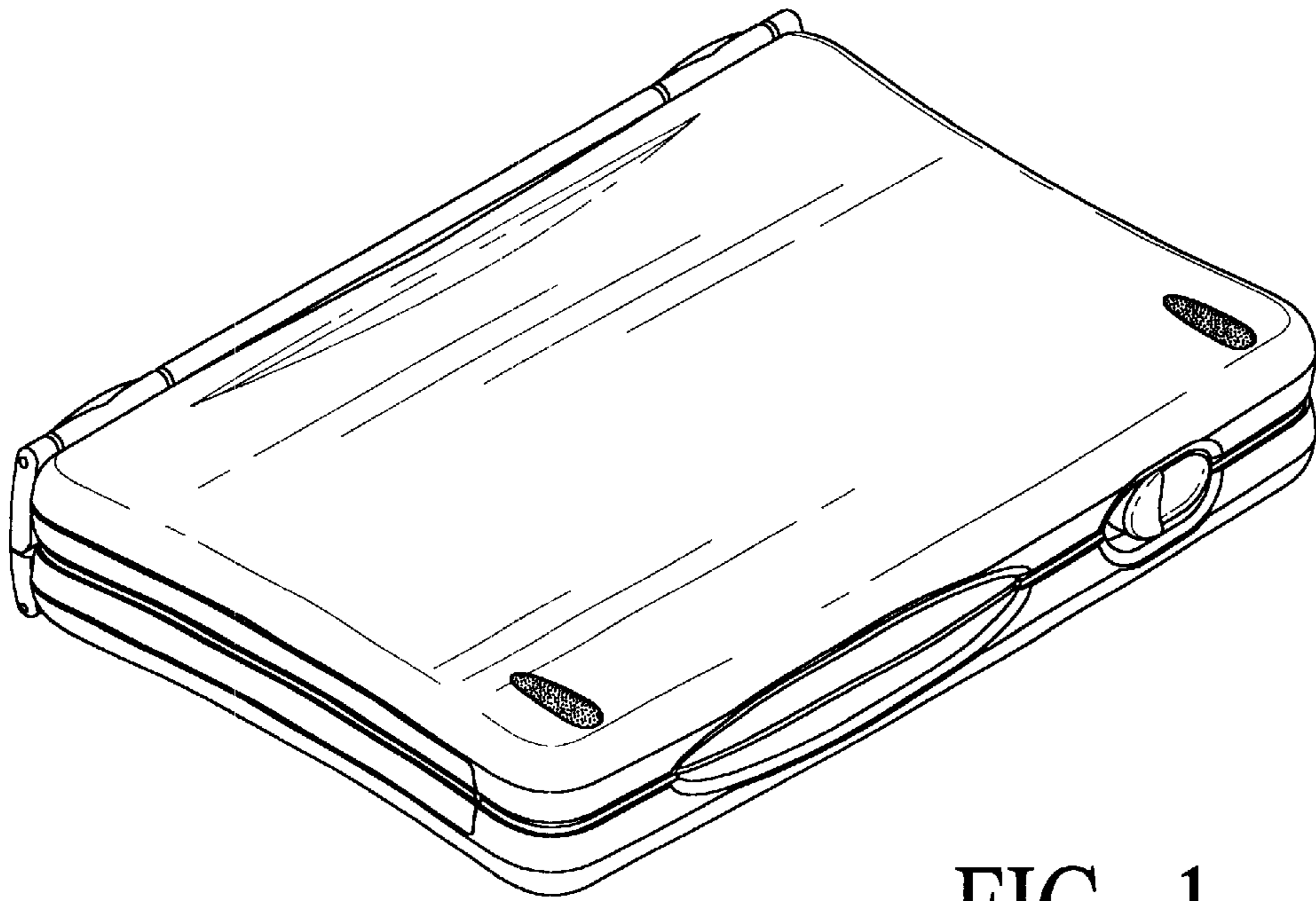


FIG. 1

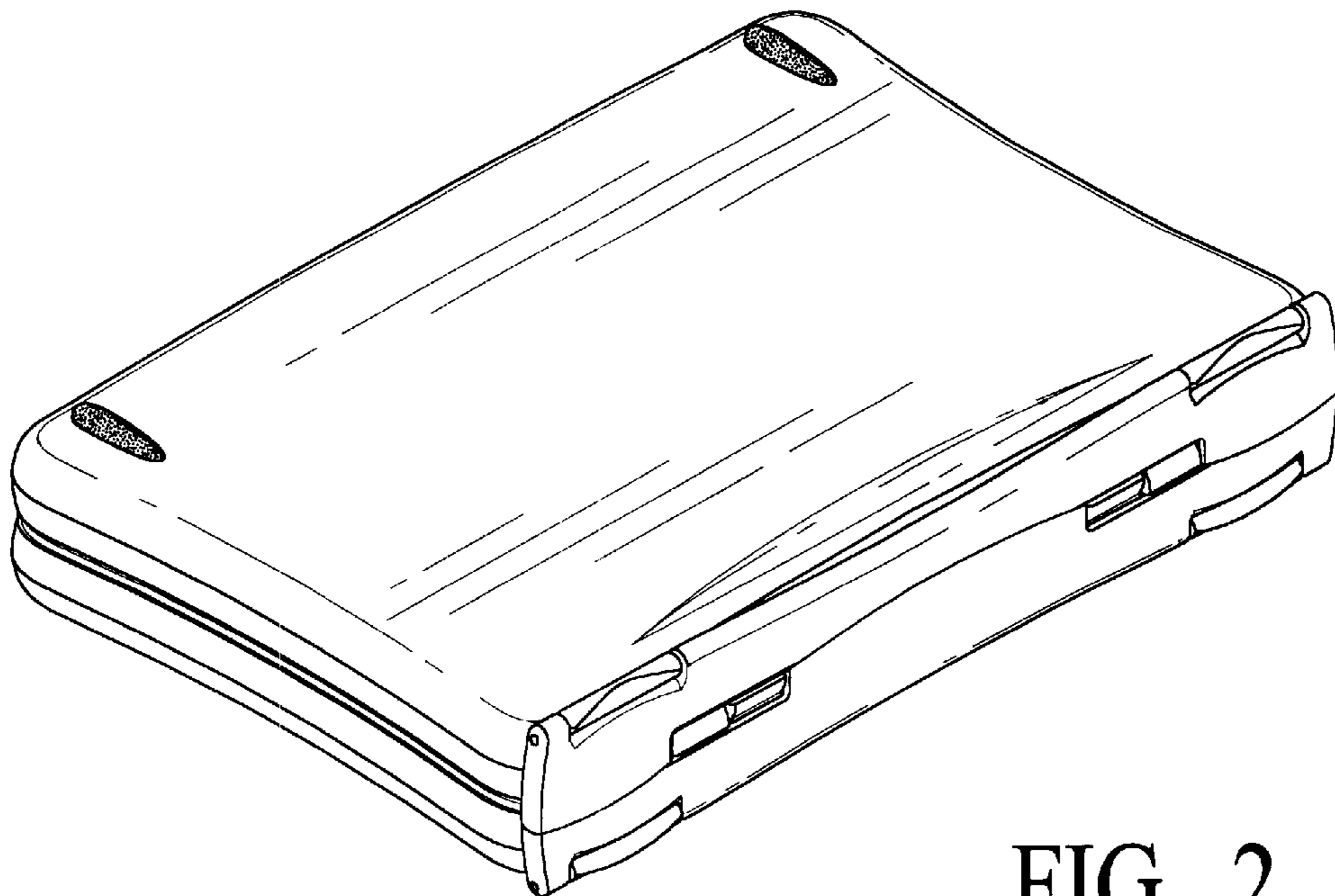


FIG. 2

FIG. 3

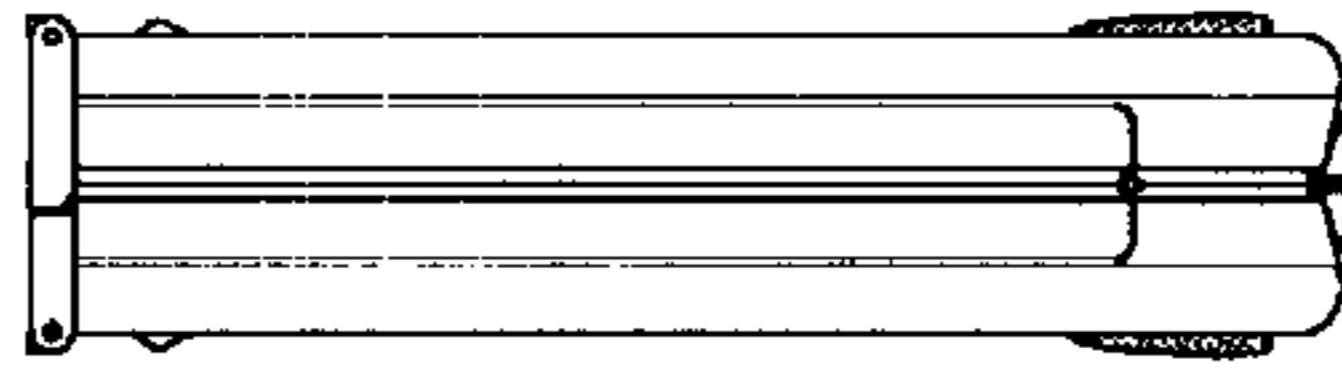


FIG. 4

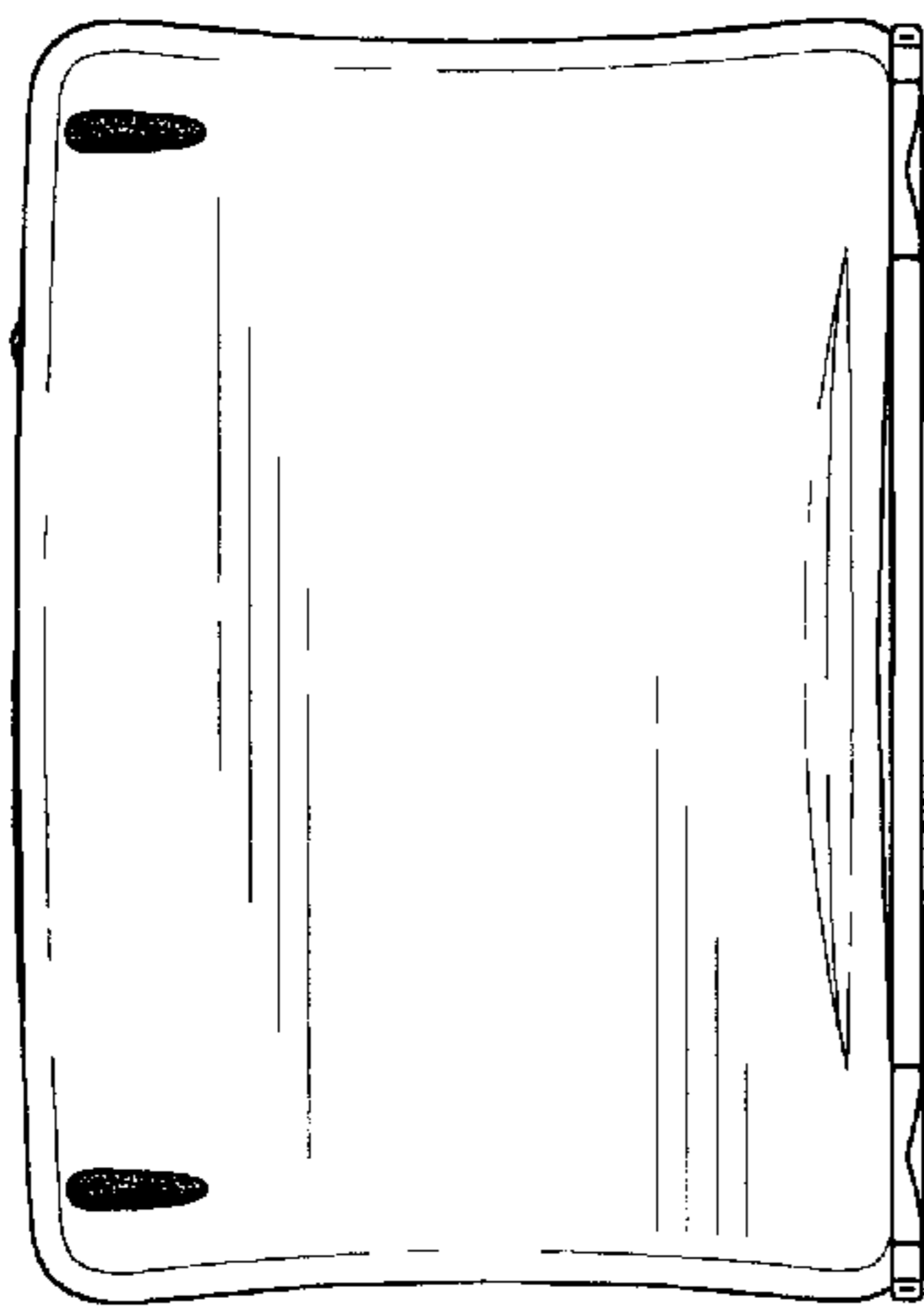
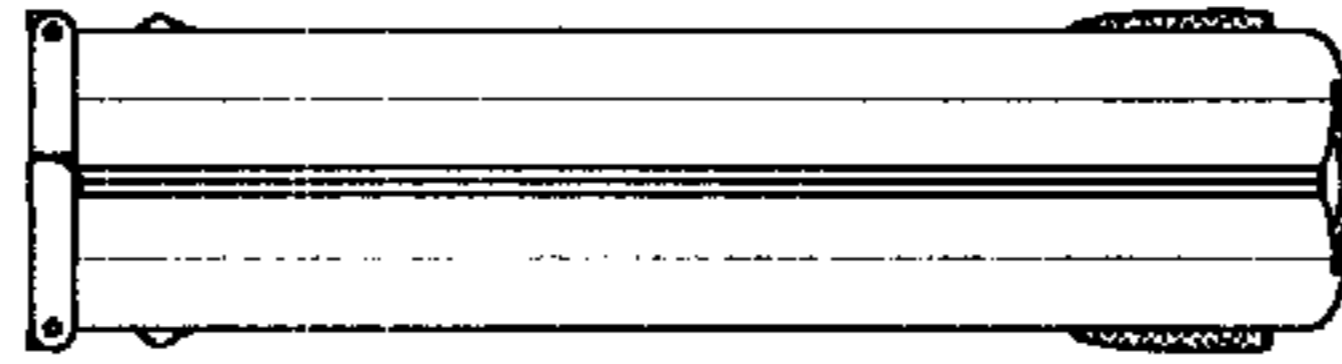


FIG. 5

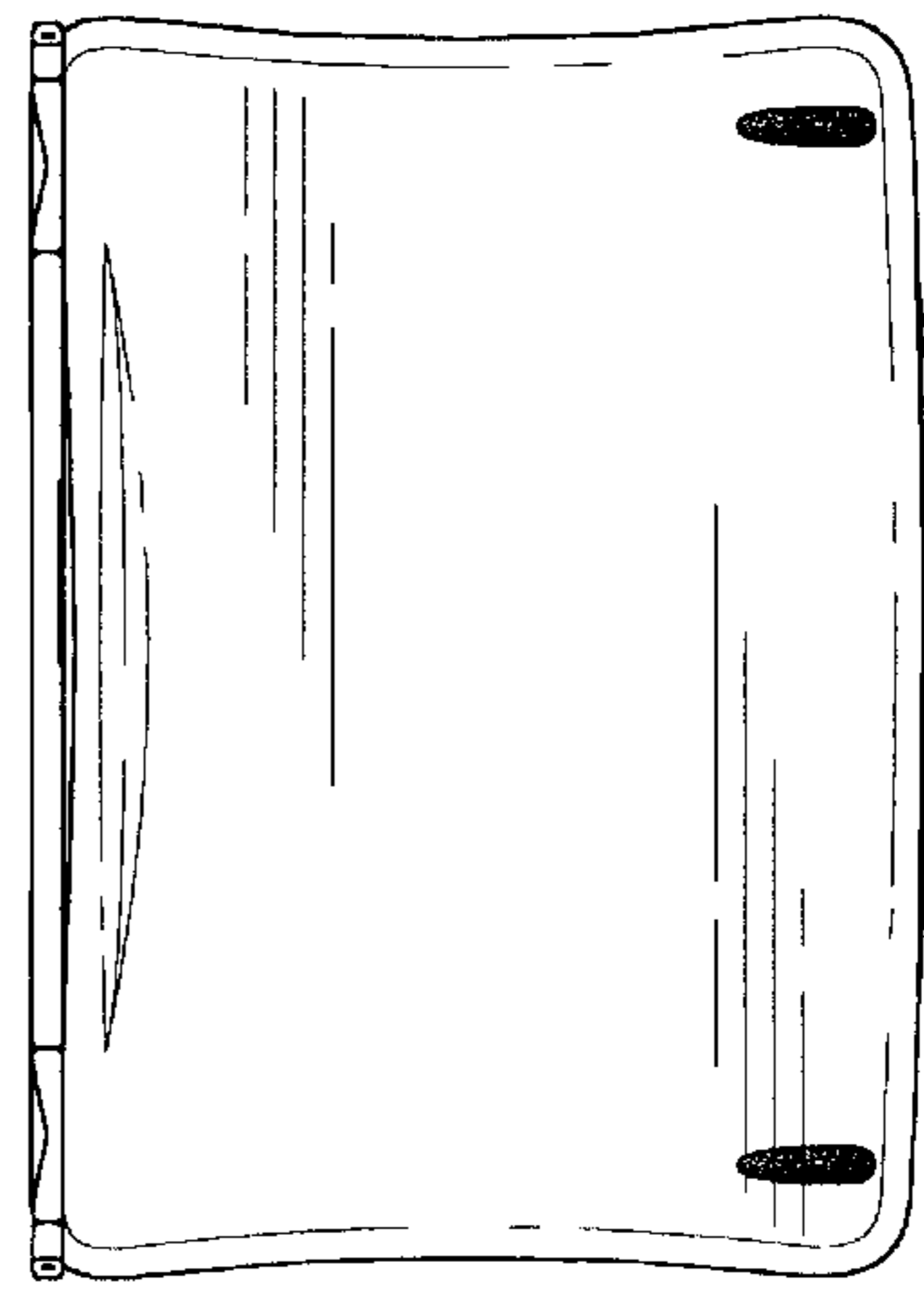


FIG. 6

FIG. 7

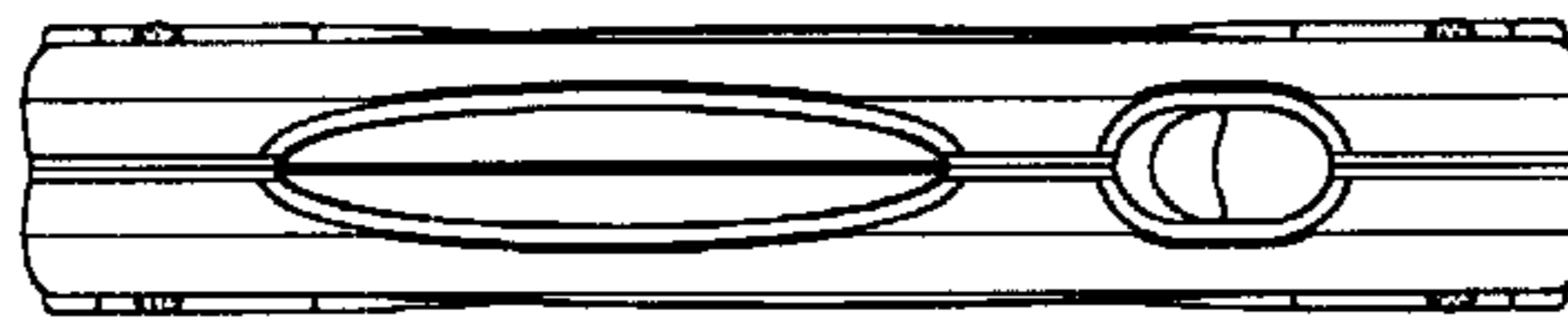
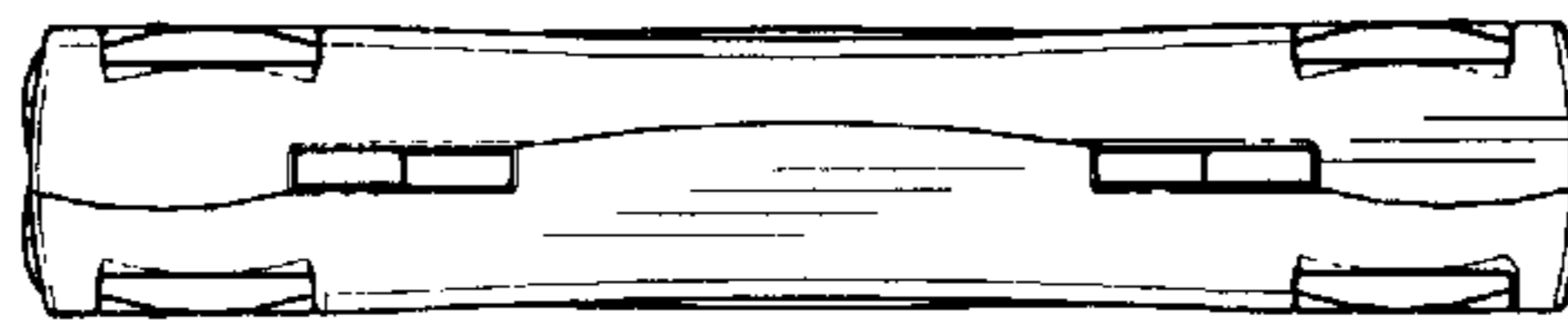


FIG. 8



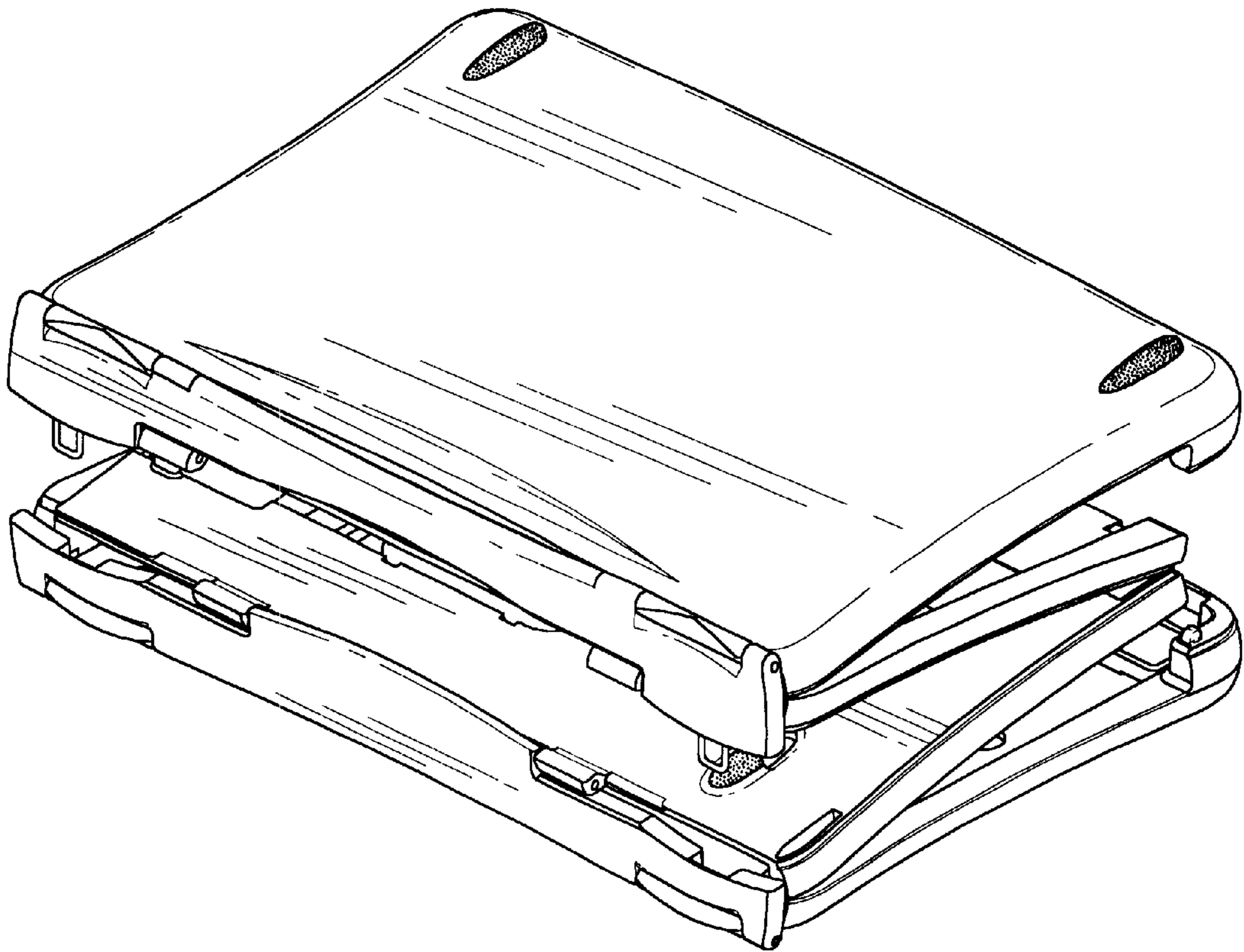


FIG. 9

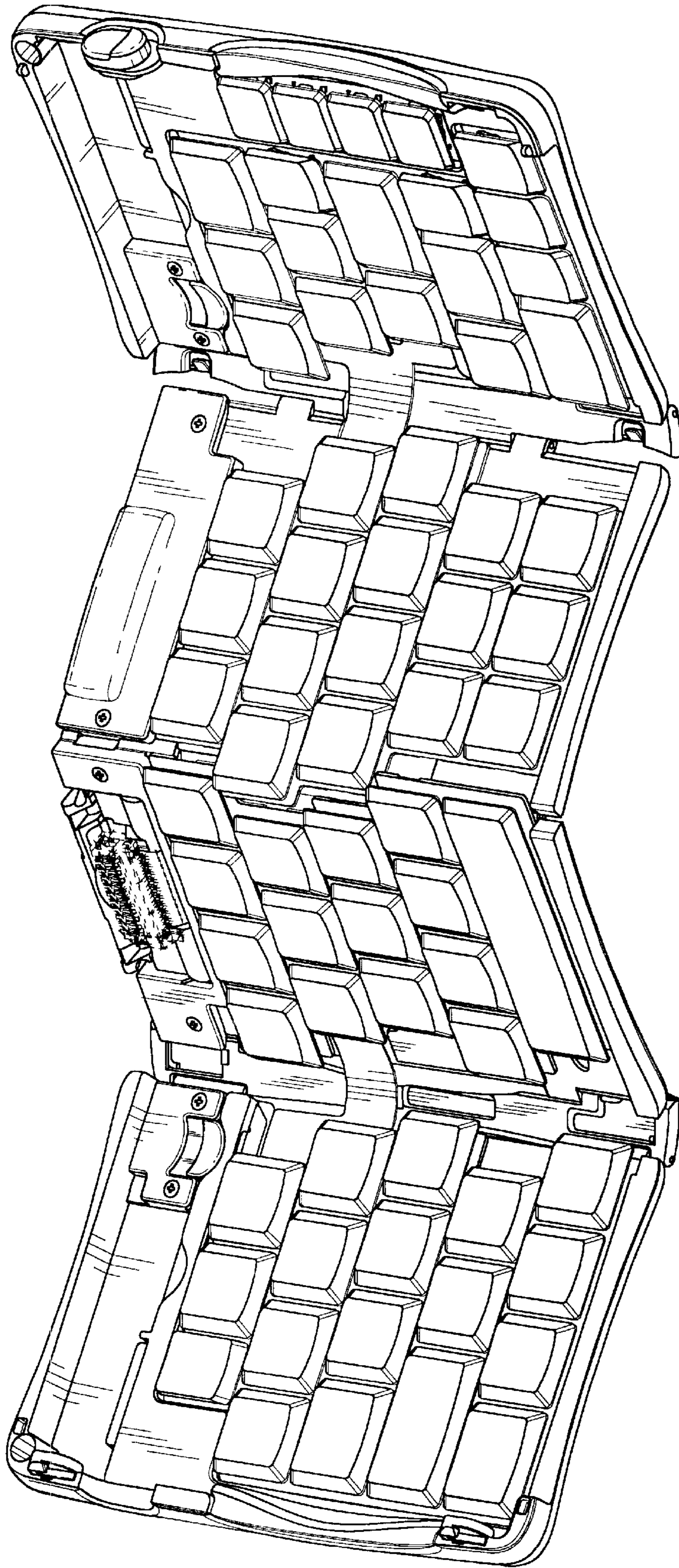


FIG. 10

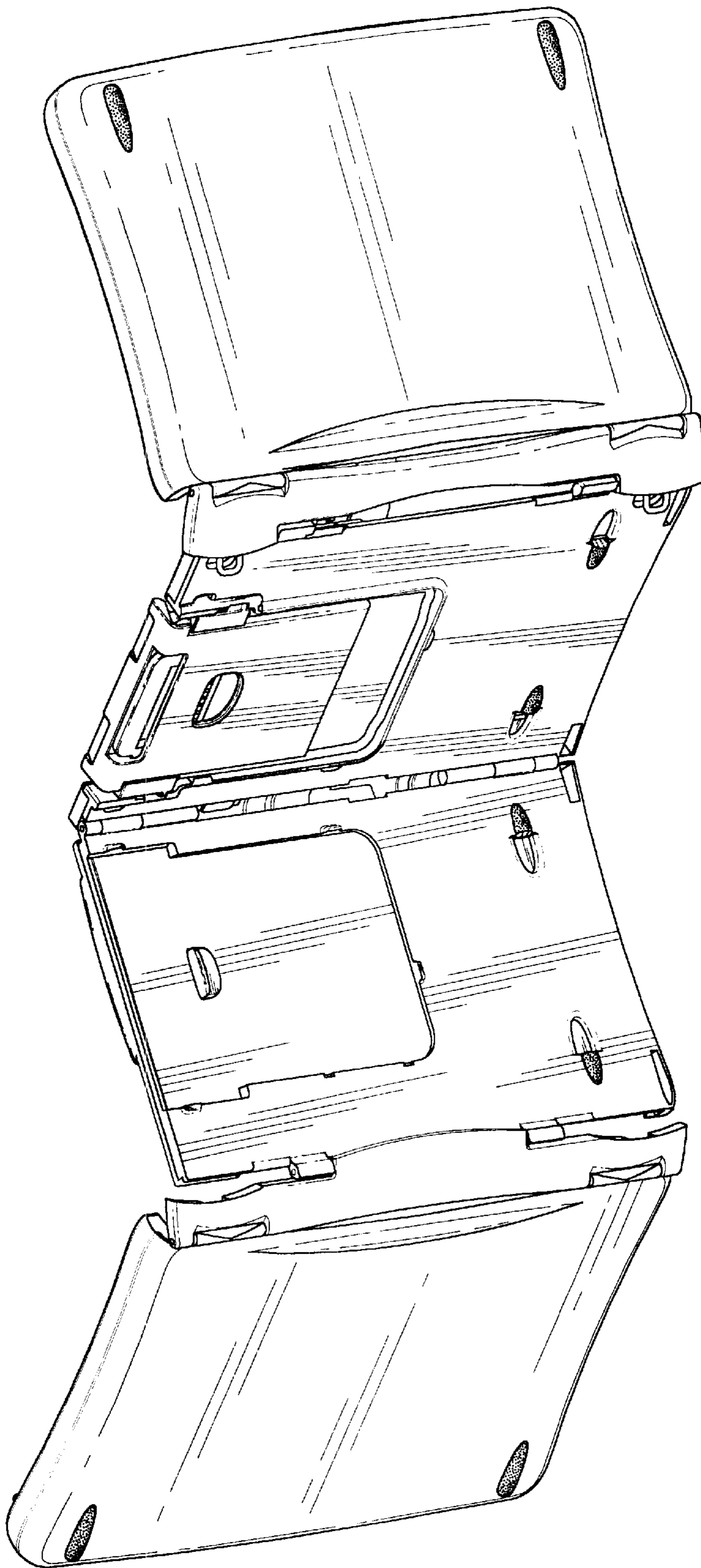


FIG. 11

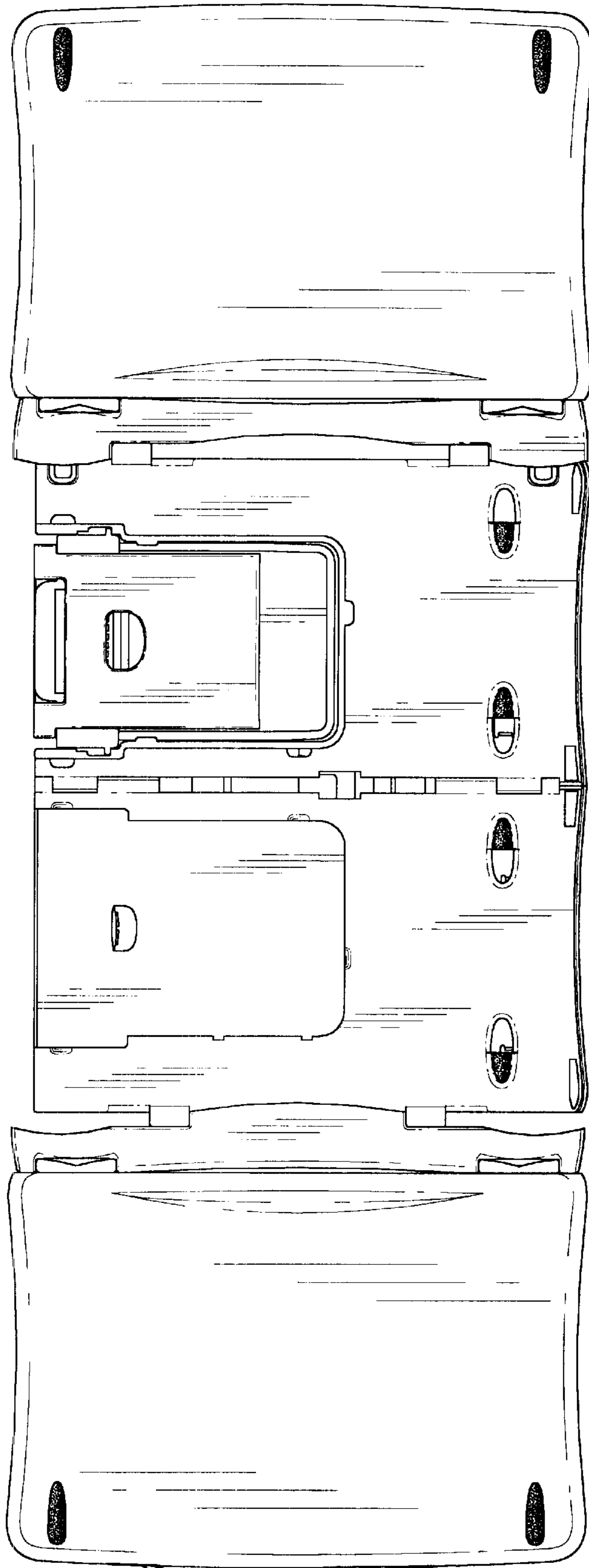


FIG. 12

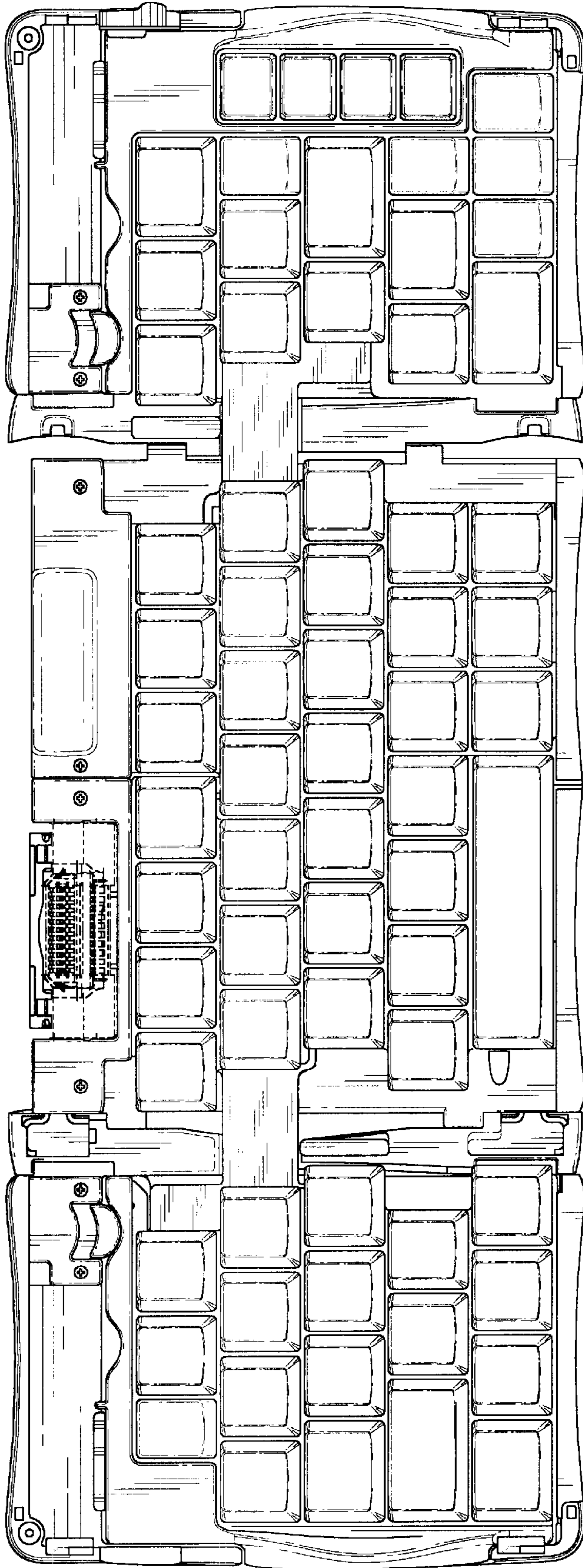


FIG. 13

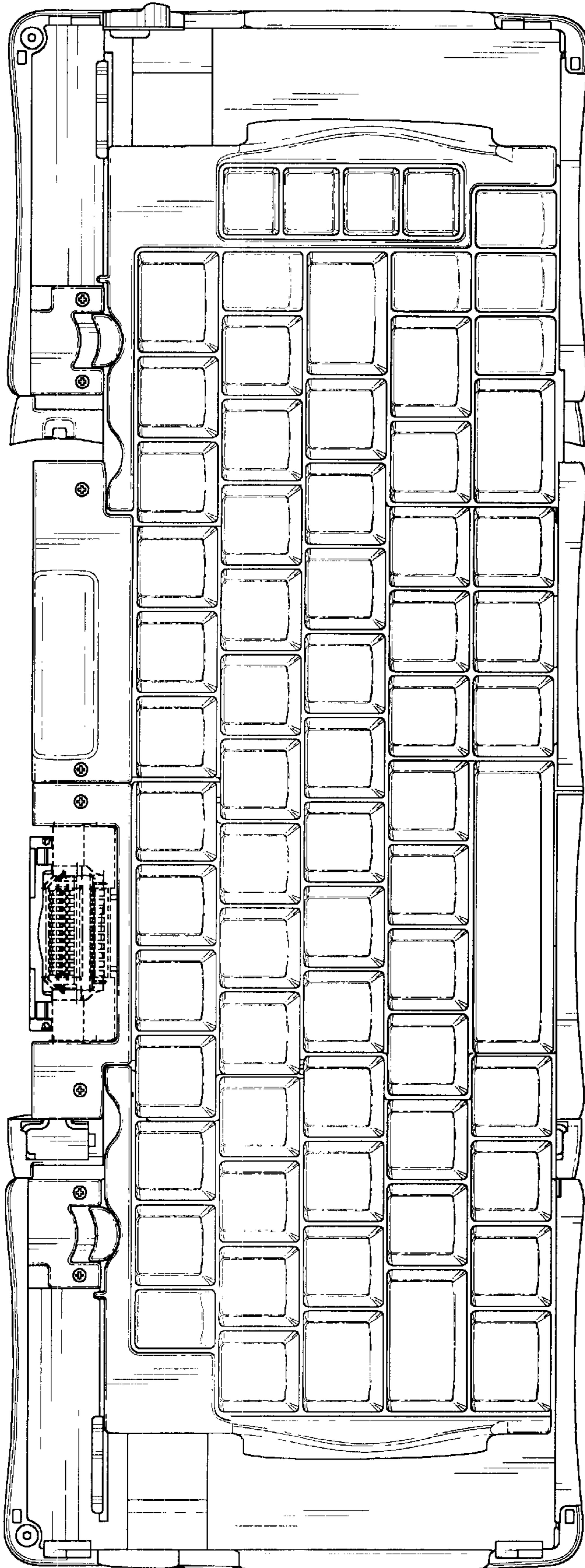


FIG. 14

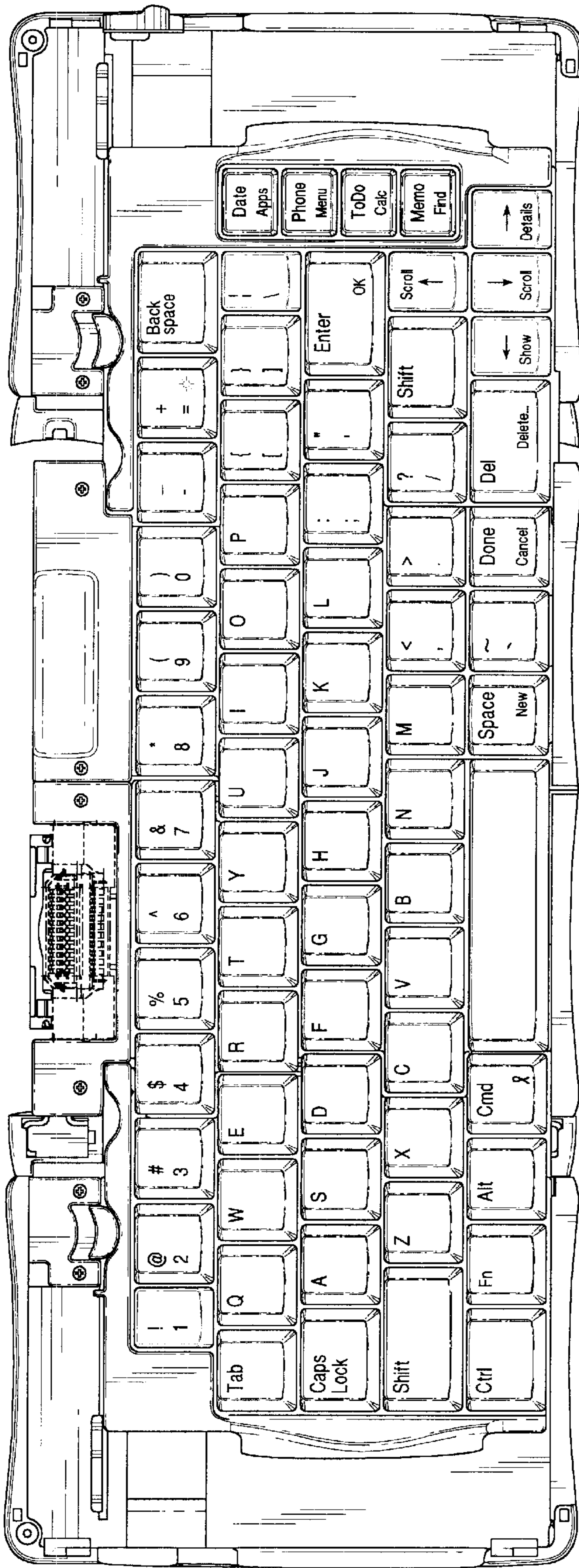


FIG. 15

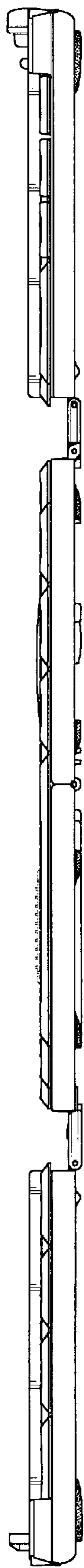


FIG. 16



FIG. 18



FIG. 17

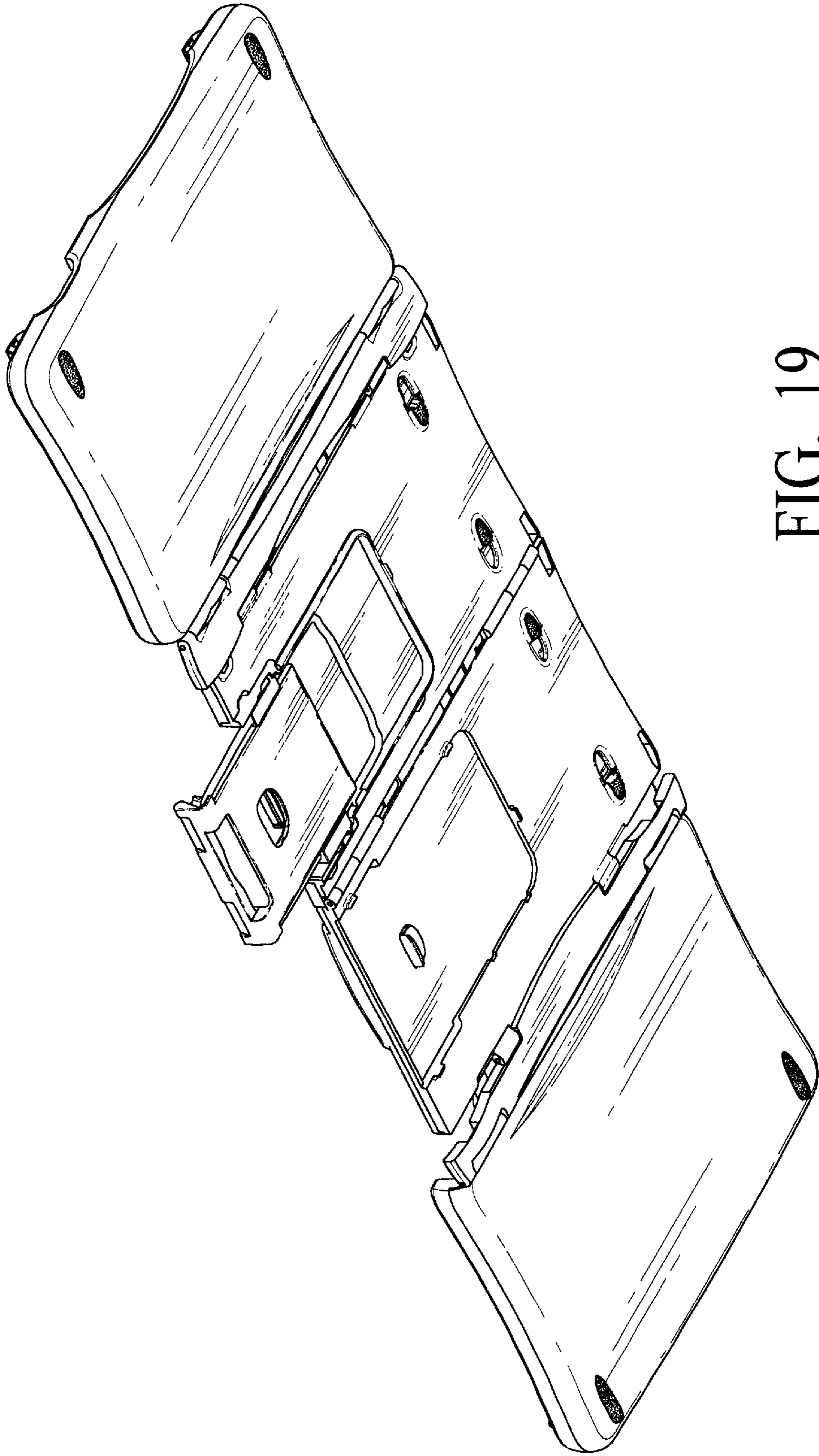


FIG. 19

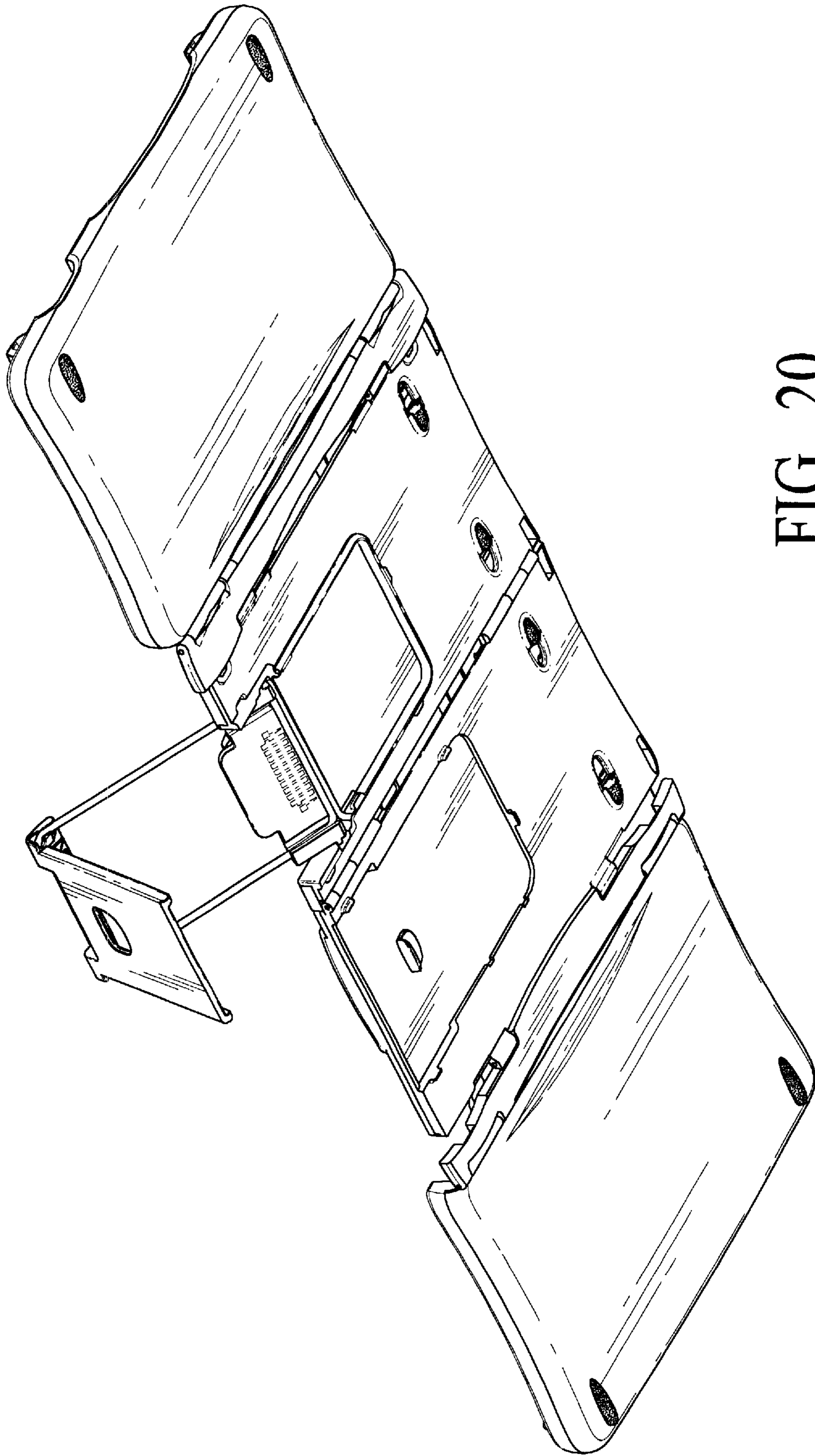


FIG. 20

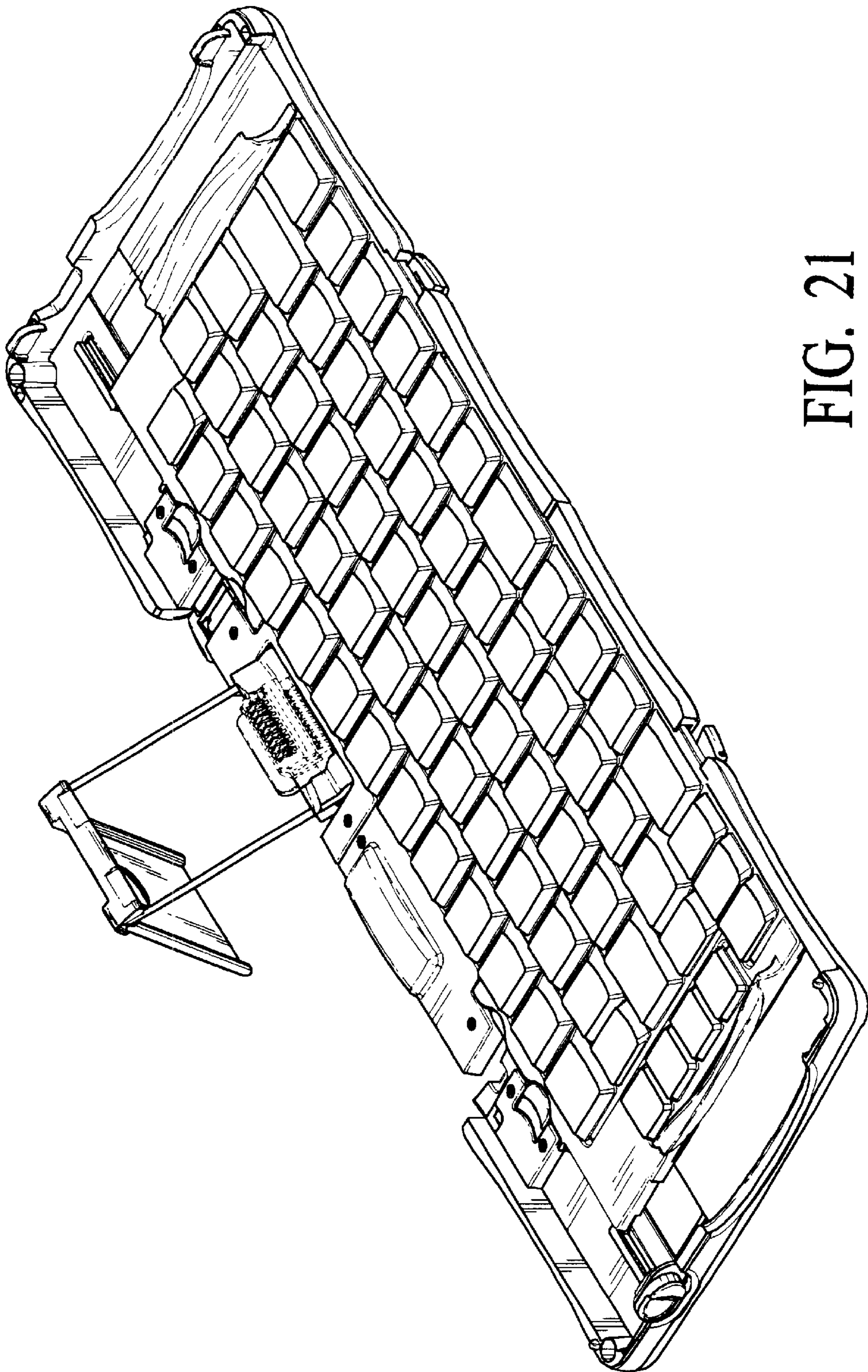


FIG. 21