



US00D457524S

(12) **United States Design Patent**
Baek

(10) **Patent No.:** **US D457,524 S**

(45) **Date of Patent:** **** May 21, 2002**

(54) **MONITOR**

(75) **Inventor:** **Wun San Baek, Seoul (KR)**

(73) **Assignee:** **LG Electronics Inc., Seoul (KR)**

(**) **Term:** **14 Years**

(21) **Appl. No.:** **29/139,575**

(22) **Filed:** **Apr. 3, 2001**

(30) **Foreign Application Priority Data**

Oct. 7, 2000 (KR) 00/25587

(51) **LOC (7) Cl.** **14-02**

(52) **U.S. Cl.** **D14/379**

(58) **Field of Search** D14/371, 376,
D14/377, 379, 375, 380, 382, 125-129;
341/12; 248/917-924; 345/104, 156, 168,
173, 87; 349/1, 2, 11, 62; 348/180, 184,
325, 739

(56) **References Cited**

U.S. PATENT DOCUMENTS

D386,755 S * 11/1997 Lee D14/380

D411,990 S * 7/1999 Usui D14/380

D415,130 S * 10/1999 Chuo et al. D14/380

D421,601 S * 3/2000 Chou D14/375

D428,008 S * 7/2000 Park D14/379

* cited by examiner

Primary Examiner—Freda Nunn

(74) *Attorney, Agent, or Firm*—Birch, Stewart, Kolasch & Birch, LLP

(57) **CLAIM**

The ornamental design for a monitor, as shown and described.

DESCRIPTION

FIG. 1 is a perspective view of the monitor showing the new design;

FIG. 2 is a front elevational view thereof;

FIG. 3 is a rear elevational view thereof;

FIG. 4 is a left side elevational view thereof, wherein the right side is a mirror image;

FIG. 5 is a top plan view thereof; and,

FIG. 6 is a bottom plan view thereof.

1 Claim, 5 Drawing Sheets

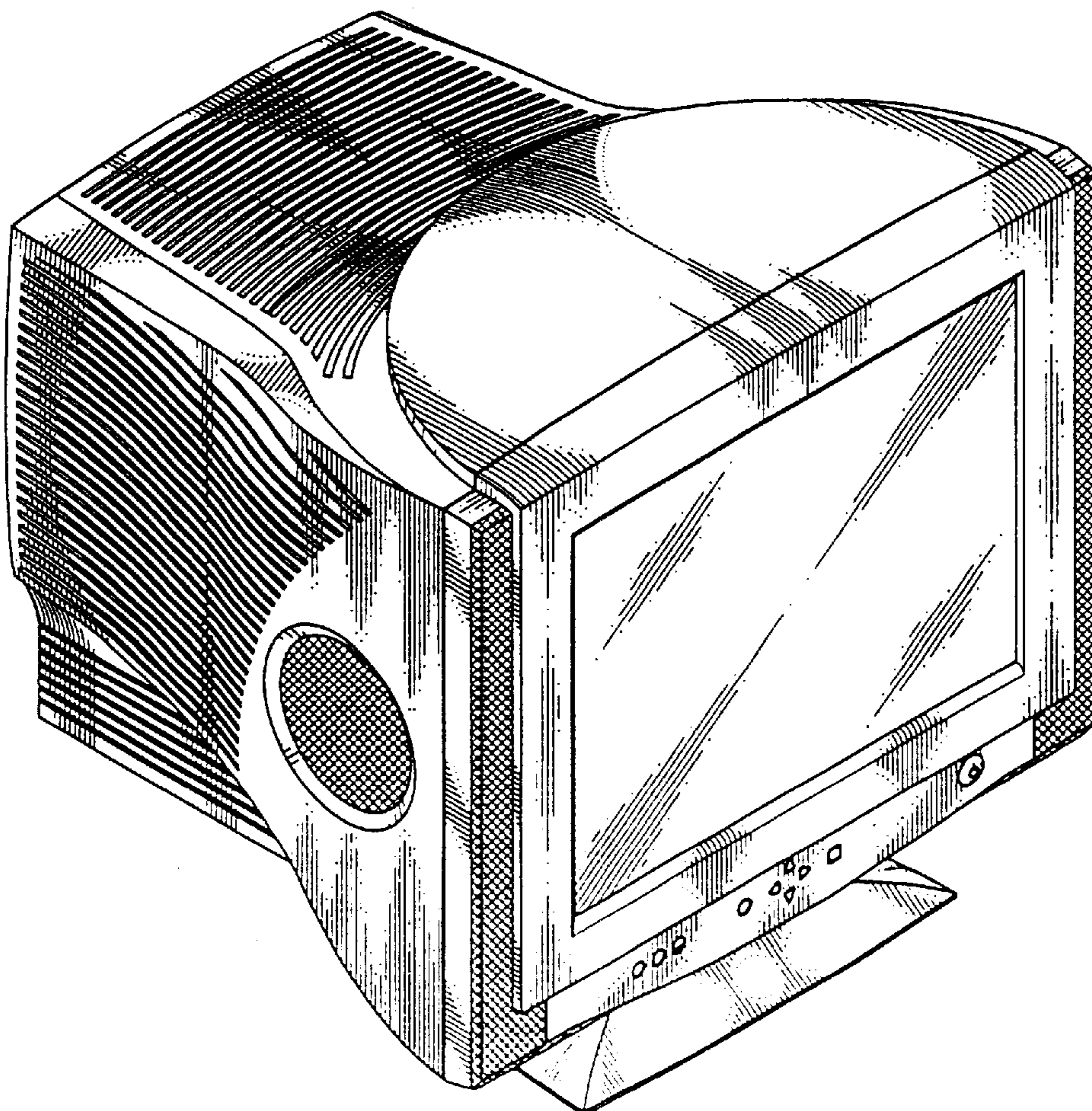


FIG. 1

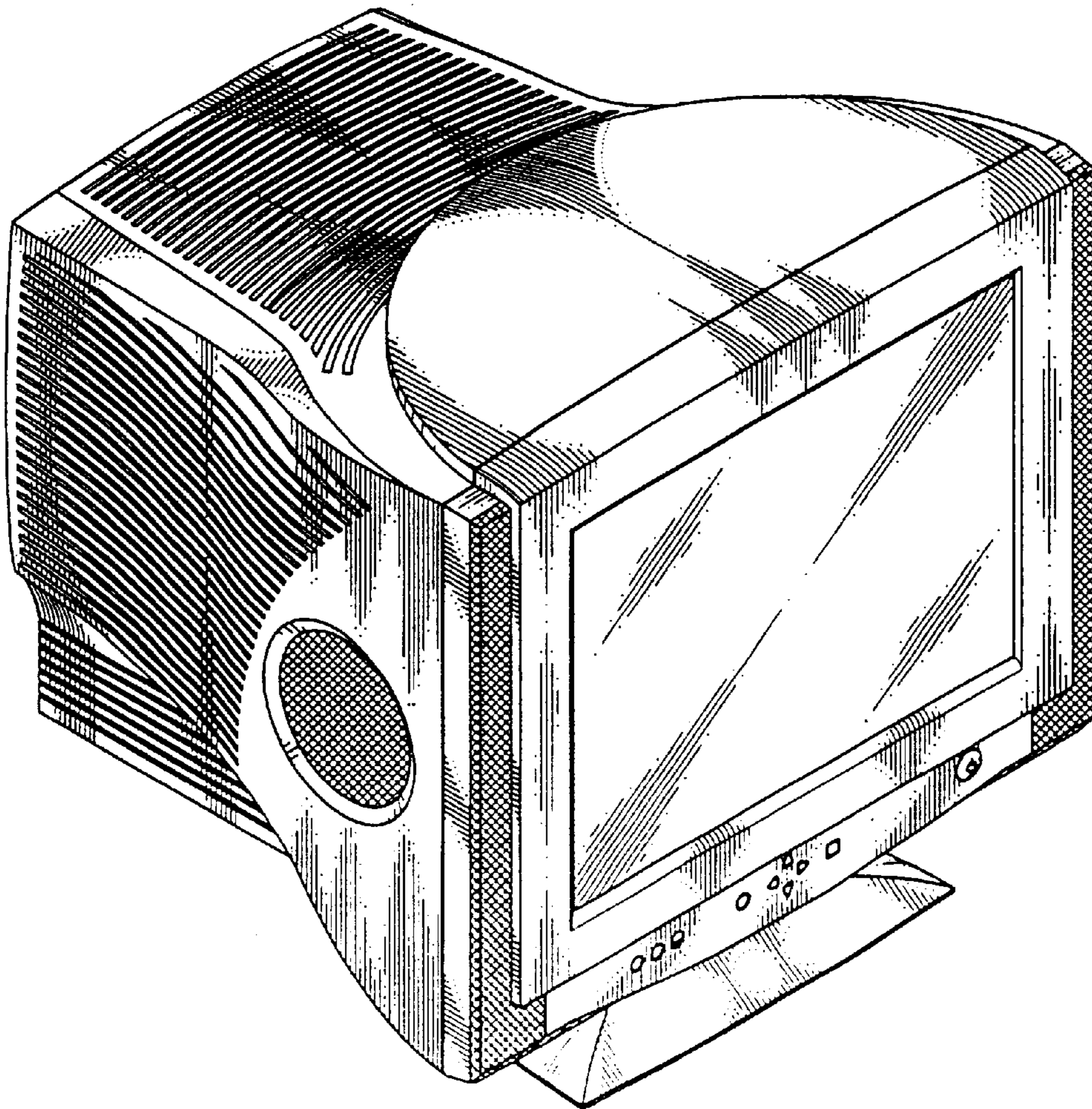


FIG. 2

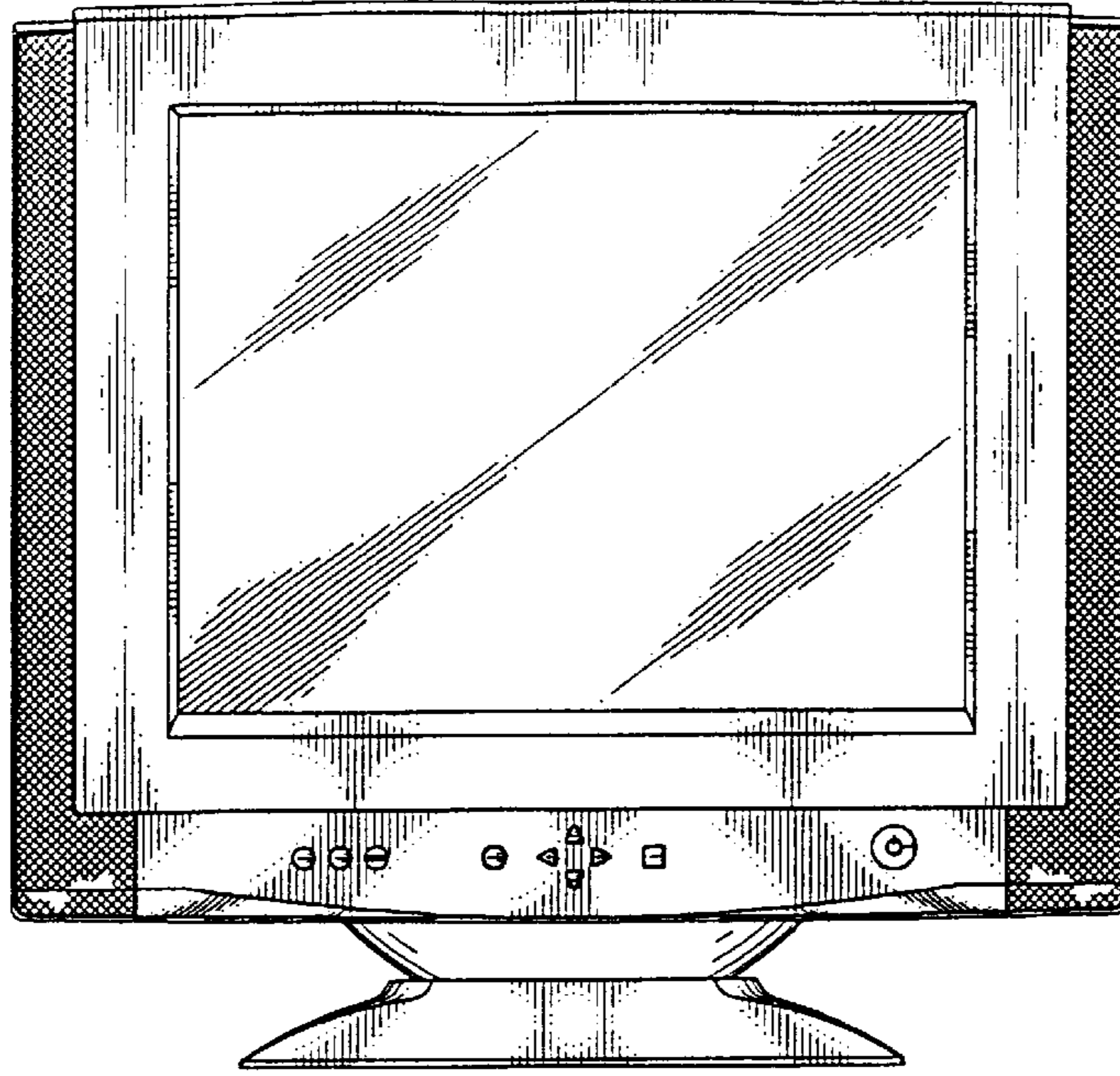


FIG. 3

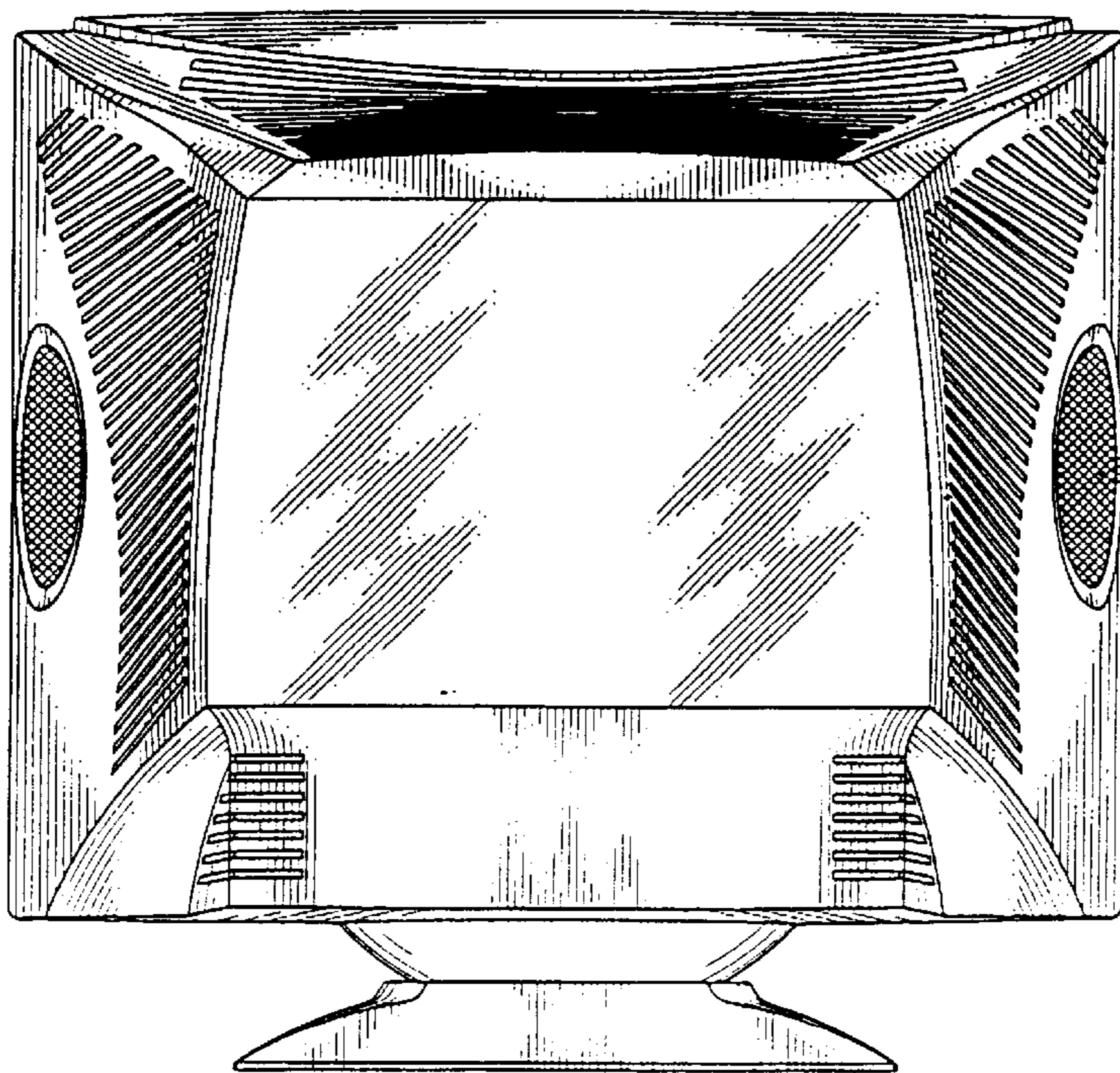


FIG. 4

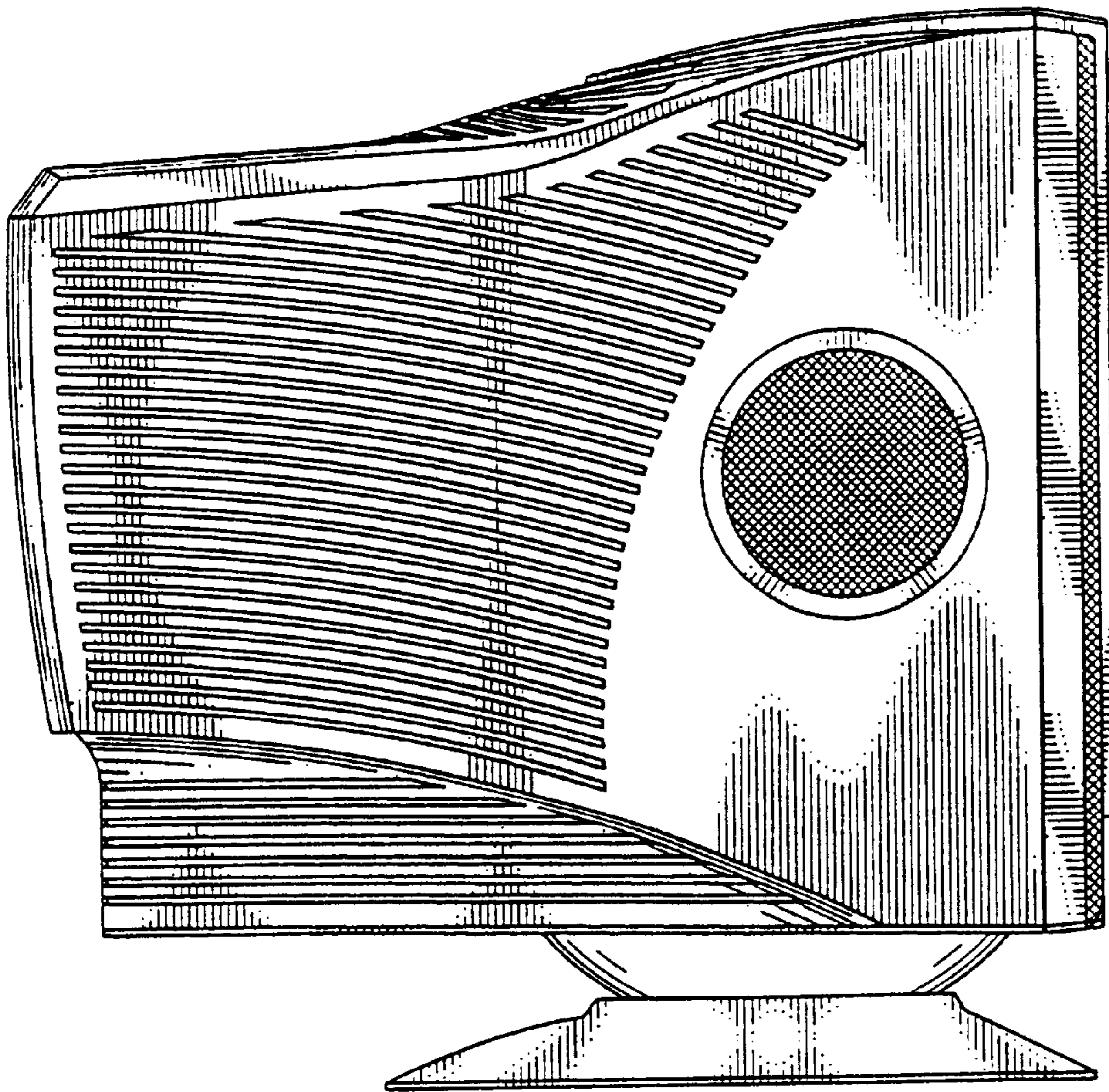


FIG. 5

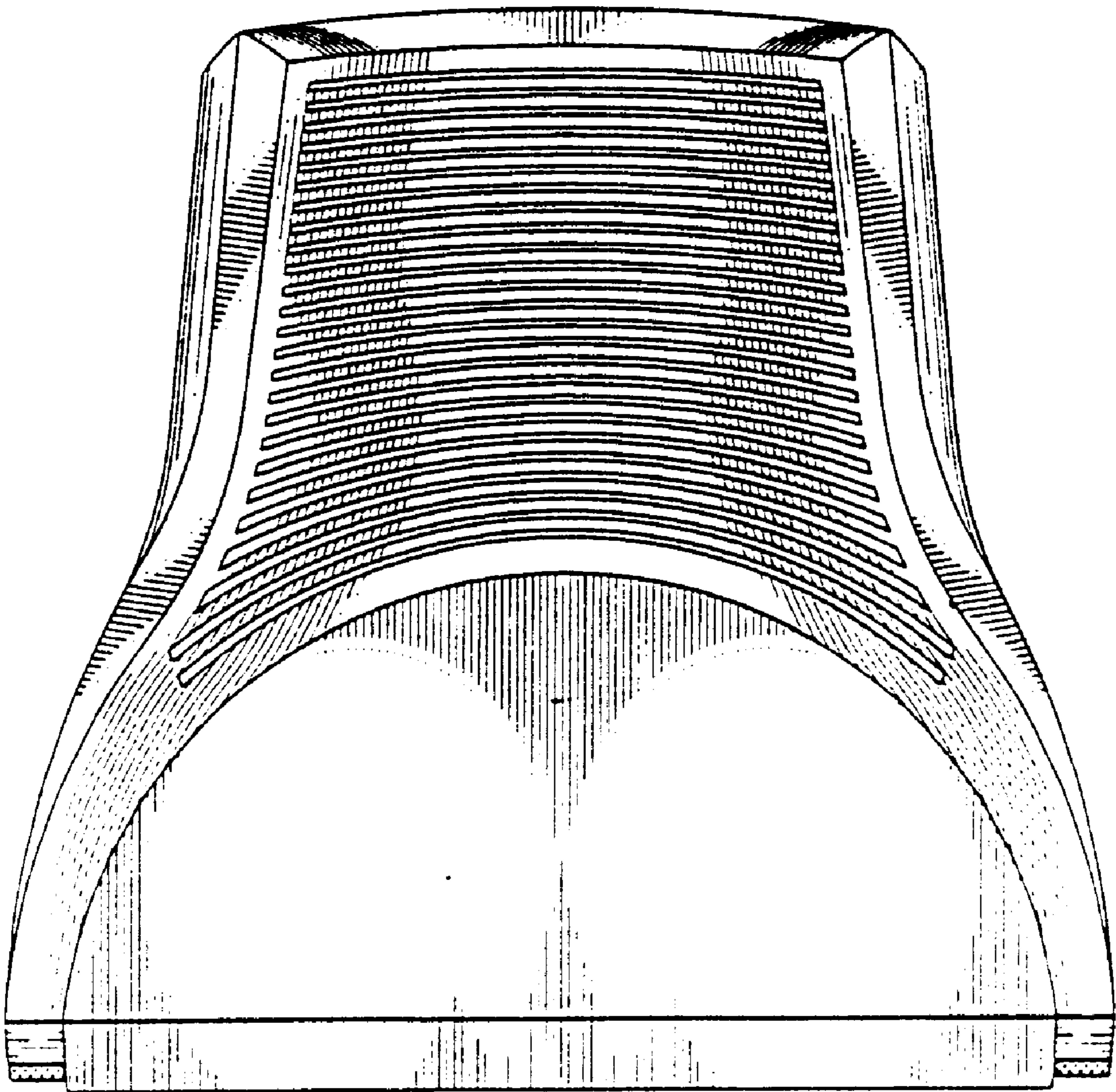


FIG. 6

