



US00D457523S

(12) **United States Design Patent**  
**Baek**

(10) **Patent No.:** **US D457,523 S**

(45) **Date of Patent:** **\*\* May 21, 2002**

(54) **MONITOR**

(75) **Inventor:** **Wun San Baek, Seoul (KR)**

(73) **Assignee:** **LG Electronics Inc., Seoul (KR)**

(\*\*) **Term:** **14 Years**

(21) **Appl. No.:** **29/139,919**

(22) **Filed:** **Apr. 10, 2001**

(30) **Foreign Application Priority Data**

Oct. 10, 2000 (KR) ..... 00-25714

(51) **LOC (7) Cl. .... 14-02**

(52) **U.S. Cl. .... D14/375**

(58) **Field of Search** ..... D14/371, 374,  
D14/375, 376, 377, 125-129; 341/12; 248/917-924;  
345/104, 156, 168, 173, 87; 348/180, 184,  
325, 739; 349/1, 2, 11, 62

(56) **References Cited**

**U.S. PATENT DOCUMENTS**

- D391,935 S \* 3/1998 Sakaguchi et al. .... D14/375
- D415,478 S \* 10/1999 Chuo et al. .... D14/375
- D423,477 S \* 4/2000 Usui ..... D14/375

- D425,035 S \* 5/2000 Kondo et al. .... D14/375
- D432,102 S \* 10/2000 Arie ..... D14/126
- D434,037 S \* 11/2000 Chang ..... D14/375

\* cited by examiner

*Primary Examiner*—Freda Nunn

(74) *Attorney, Agent, or Firm*—Birch, Stewart, Kolasch & Birch, LLP

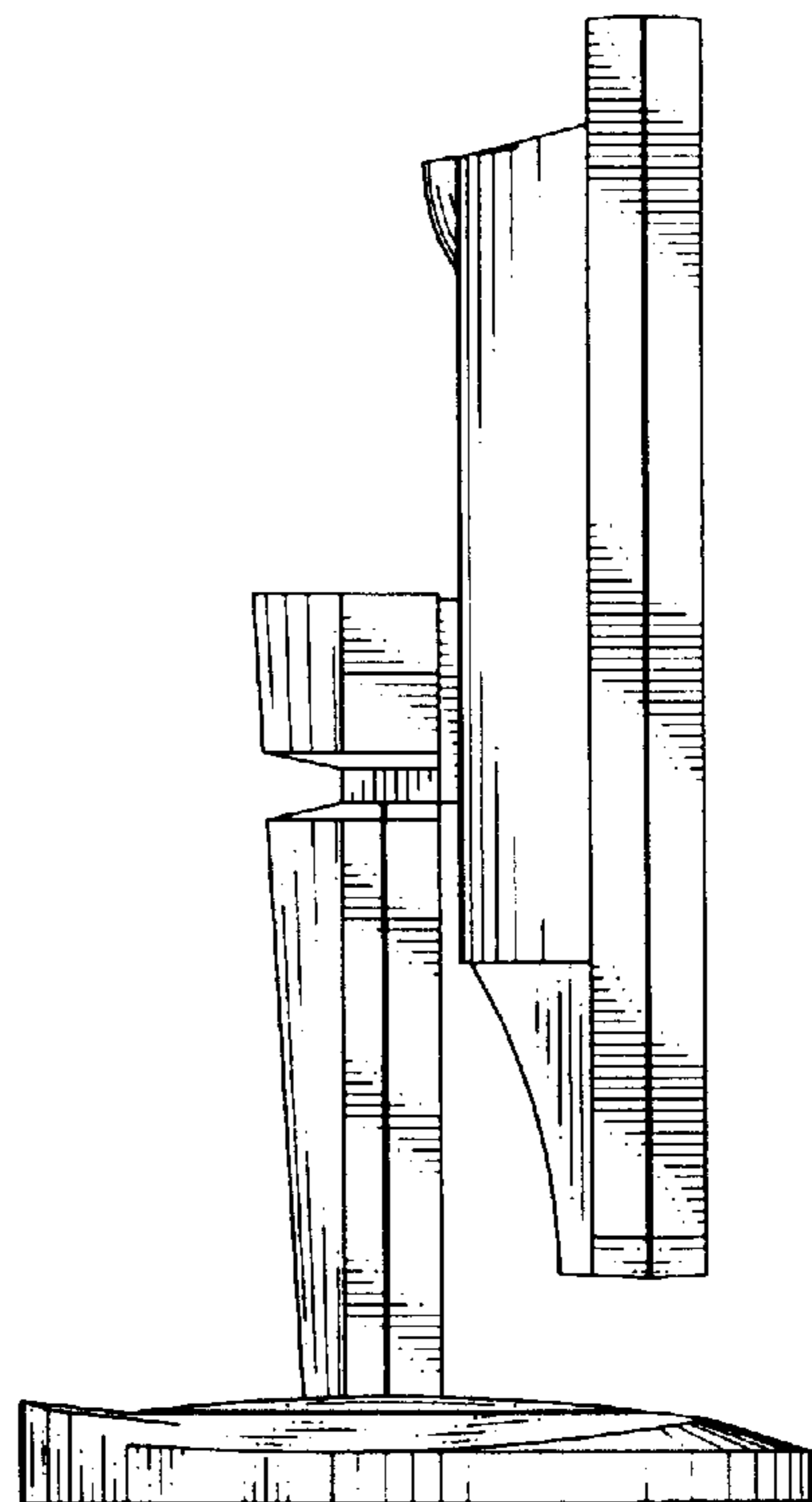
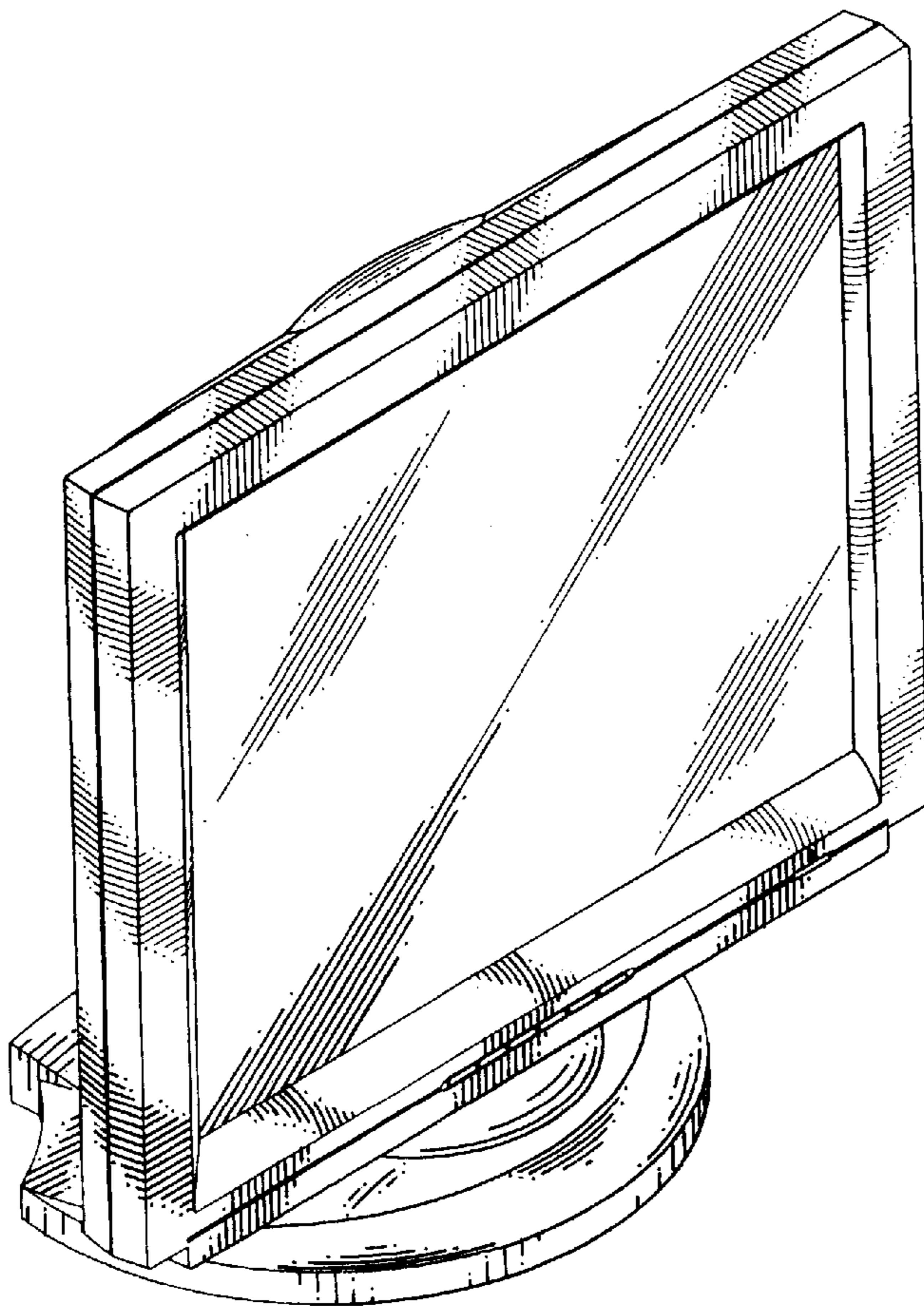
(57) **CLAIM**

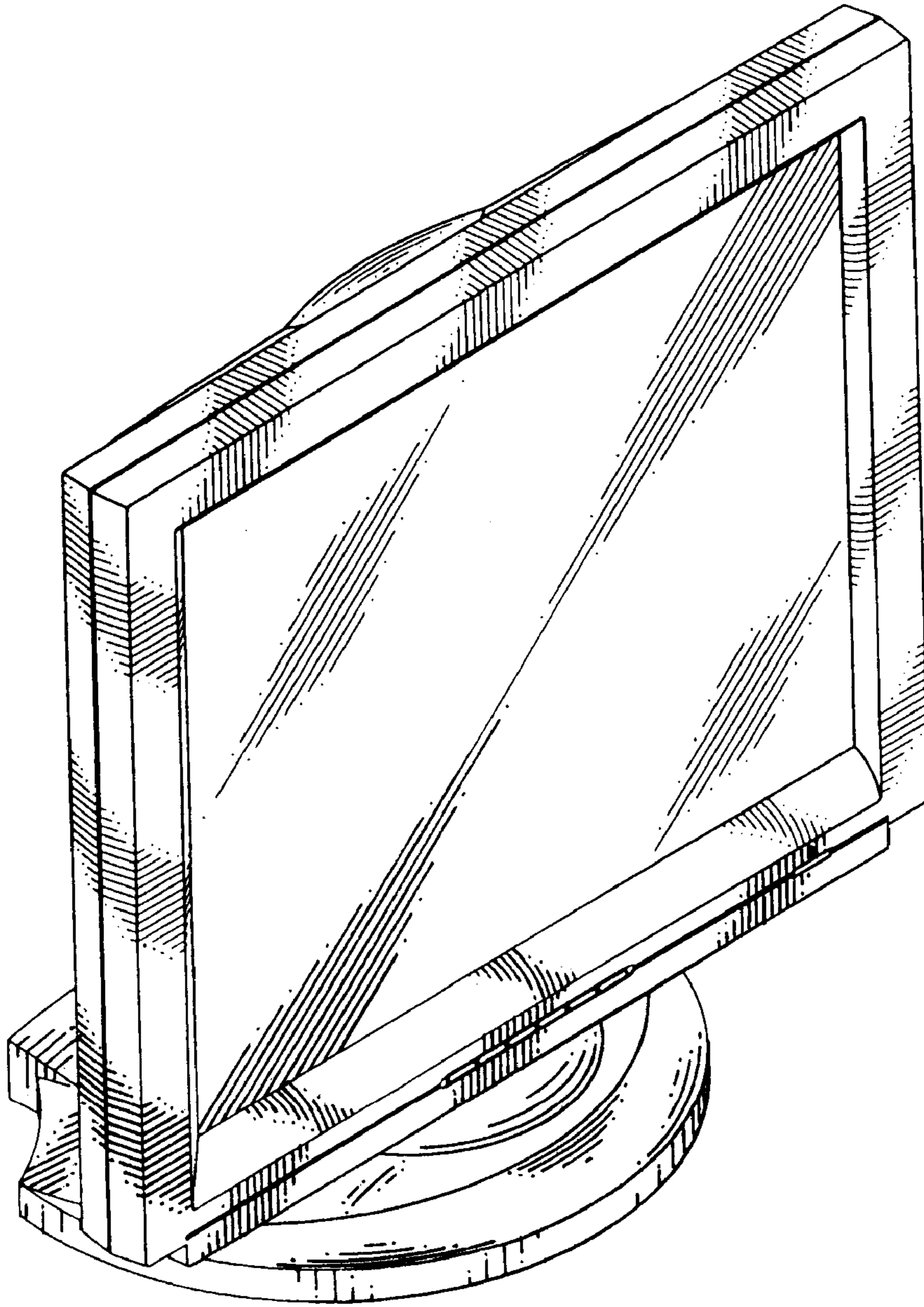
The ornamental design for a monitor, as shown and described.

**DESCRIPTION**

FIG. 1 is a perspective view for the monitor of the present invention;  
 FIG. 2 is a front elevational view of the monitor of the present invention;  
 FIG. 3 is a rear elevational view of the monitor of the present invention;  
 FIG. 4 is a left side view of the monitor of the present invention, the right side view having a mirror image thereof;  
 FIG. 5 is a top plan view of the monitor; and,  
 FIG. 6 is a bottom plan view of the monitor of the present invention.

**1 Claim, 4 Drawing Sheets**





**FIG. 1**

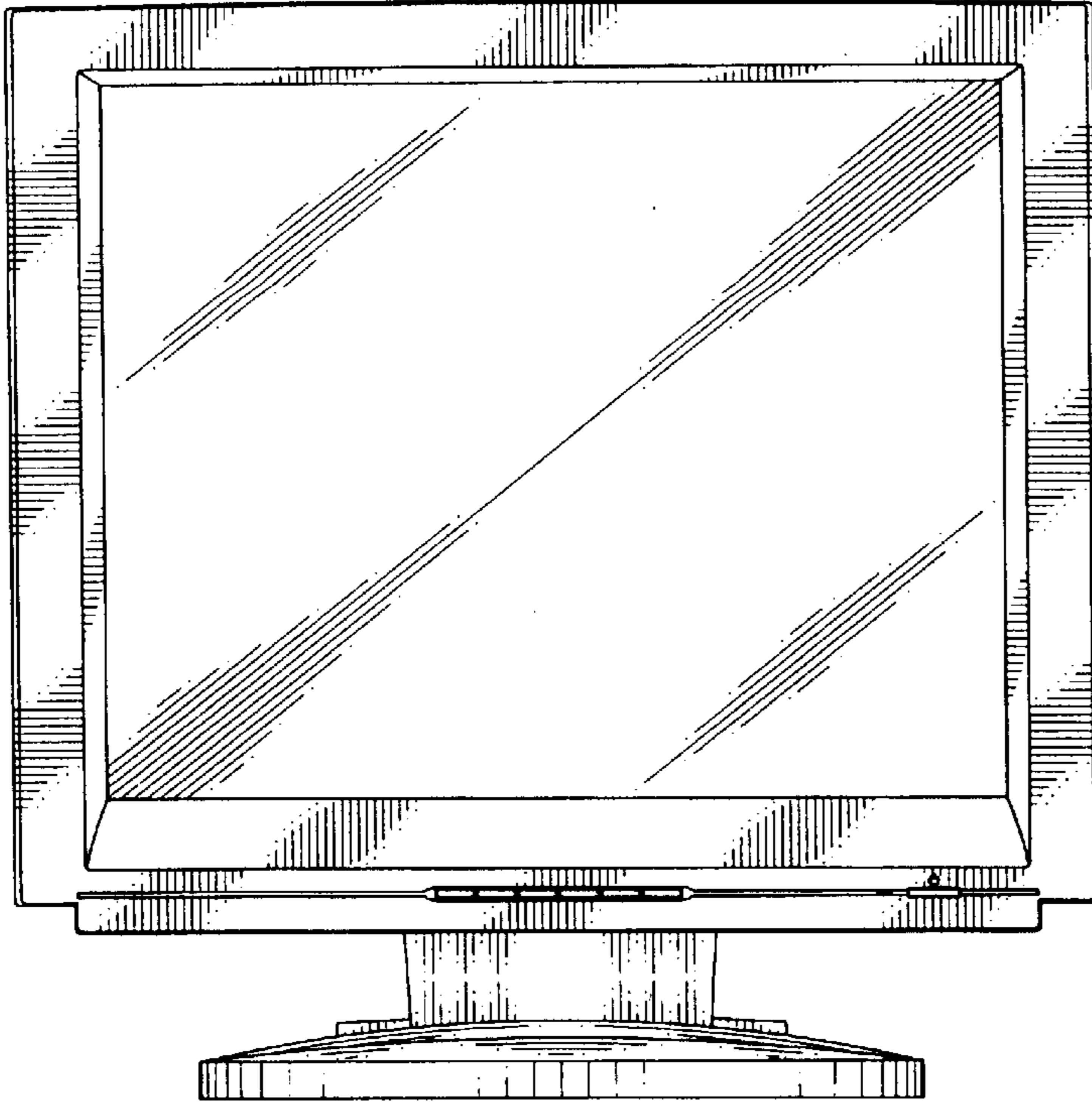


FIG. 2

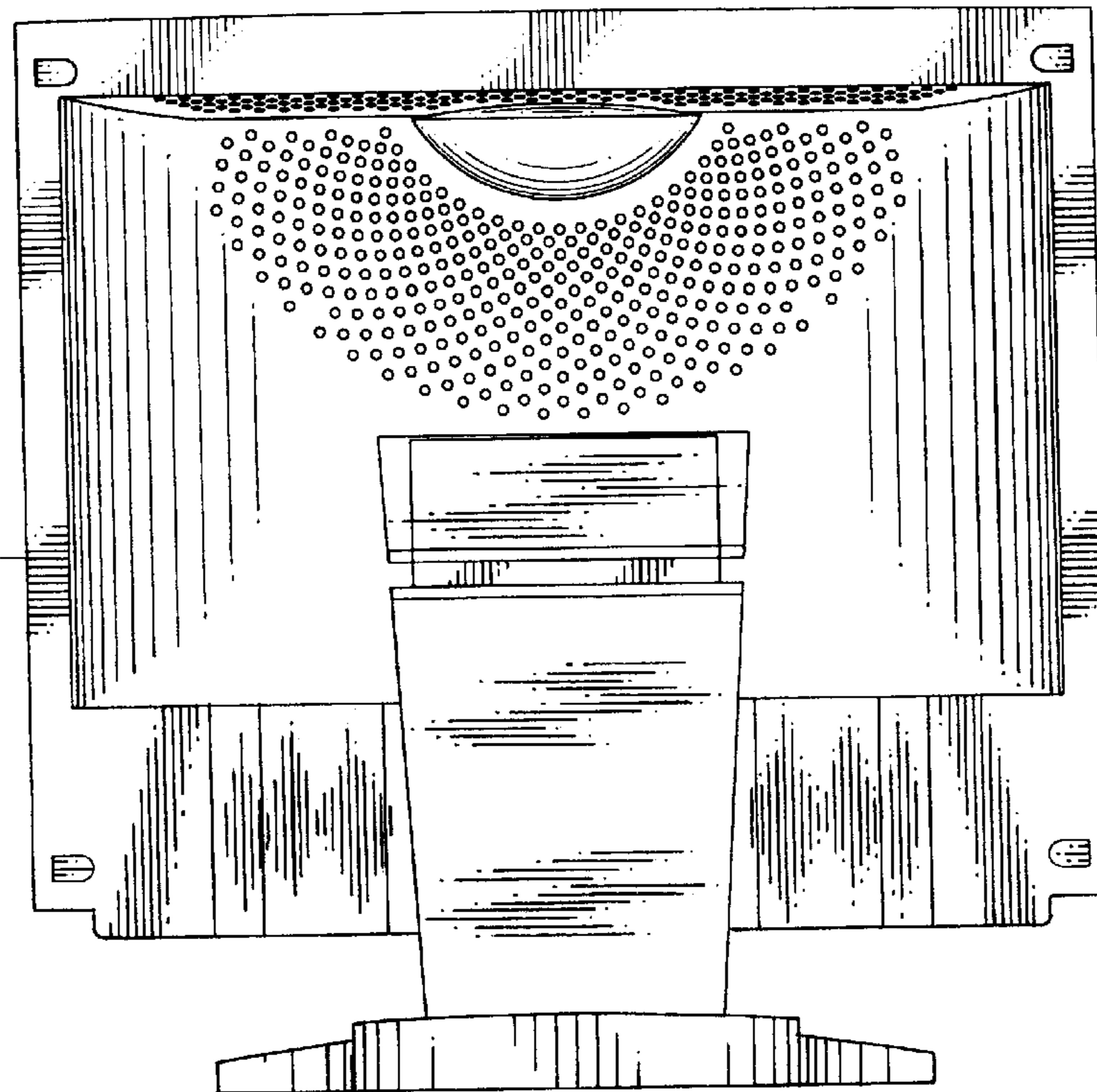


FIG. 3

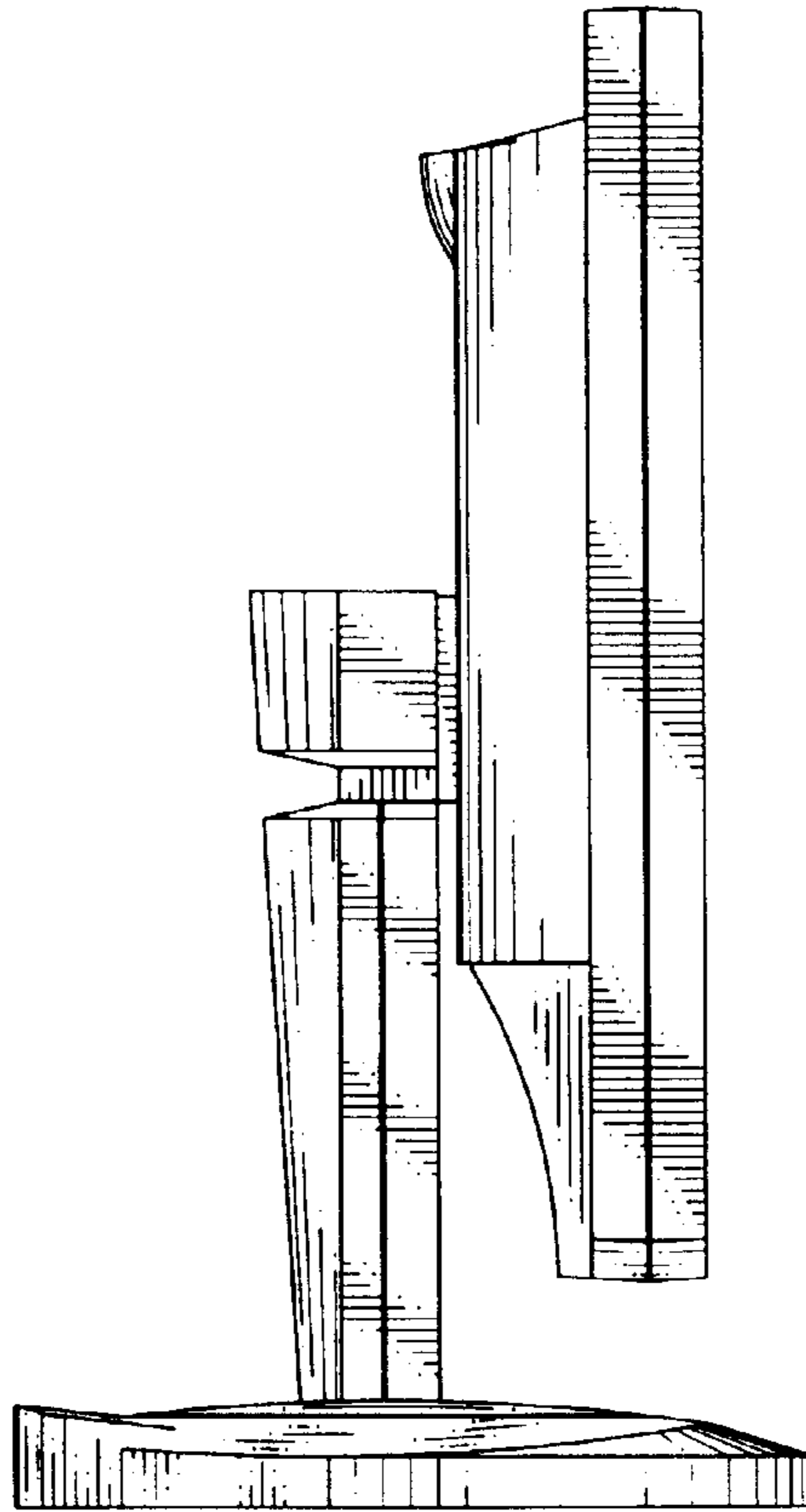


FIG. 4

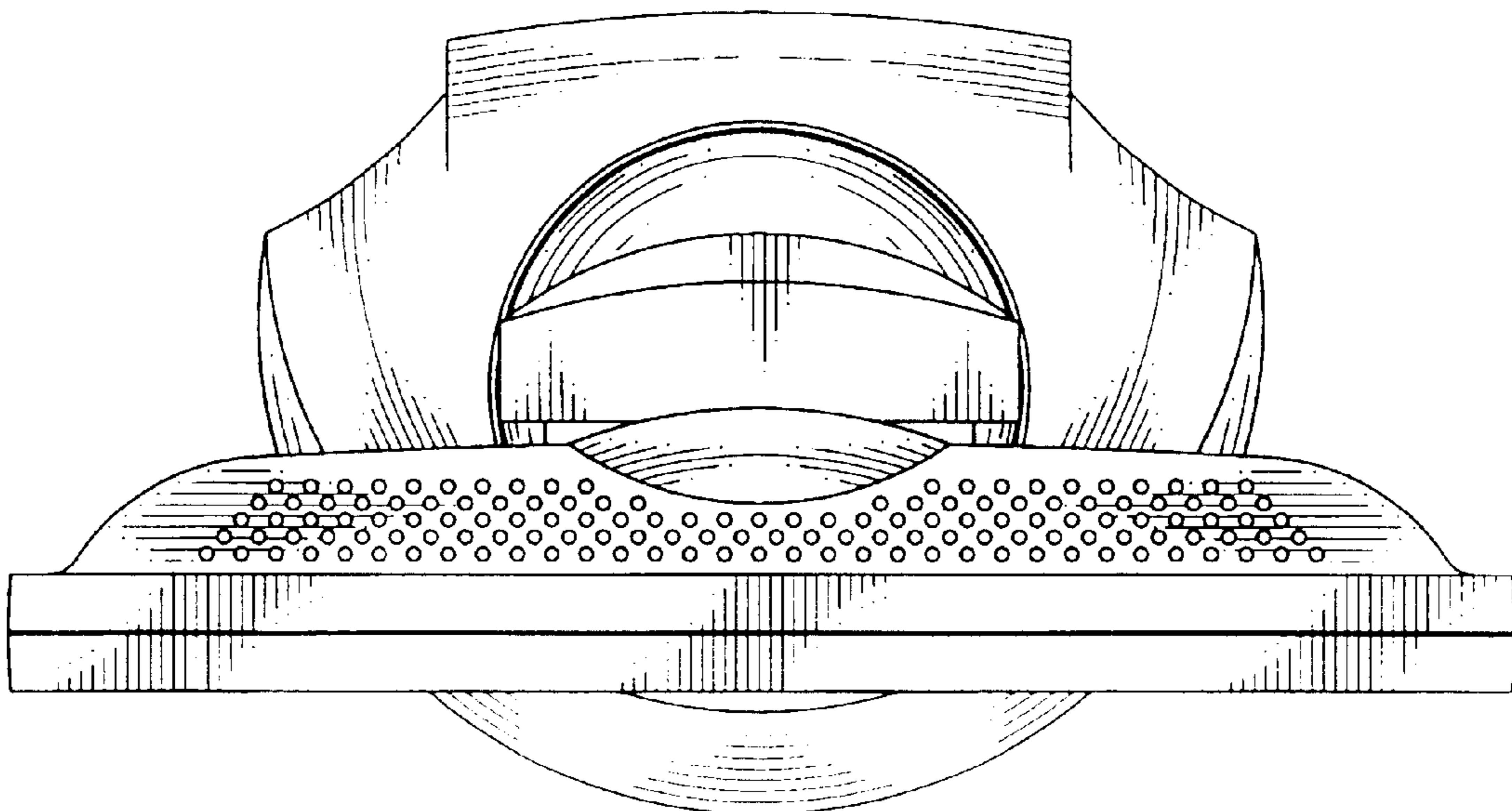
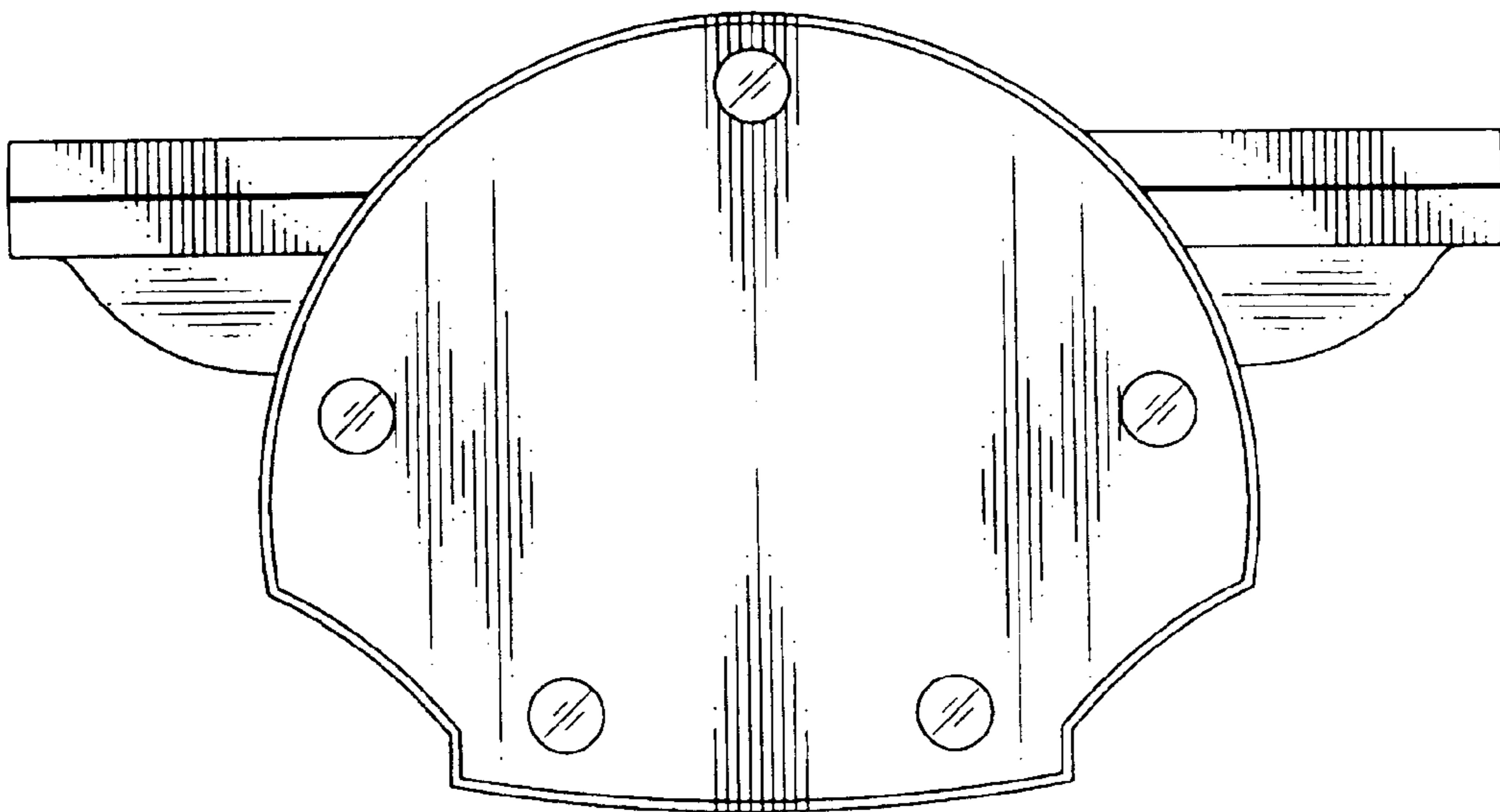


FIG. 5



**FIG. 6**