



US00D457518S

(12) **United States Design Patent**
Wilson

(10) **Patent No.:** **US D457,518 S**

(45) **Date of Patent:** **** May 21, 2002**

(54) **CELLULAR ANTENNA**

(75) **Inventor:** **James W. Wilson**, Saint George, UT
(US)

(73) **Assignee:** **Wilson Electronics, Inc.**, Saint George,
UT (US)

(**) **Term:** **14 Years**

(21) **Appl. No.:** **29/134,994**

(22) **Filed:** **Dec. 29, 2000**

(51) **LOC (7) Cl.** **14-03**

(52) **U.S. Cl.** **D14/233; D14/230; 343/749**

(58) **Field of Search** **D14/230-238;**
343/720, 900, 713, 878, 905, 906, 715,
749, 752, 895, 714, 806, 802, 823, 805,
872, 705, 708, 741, 840, 882, 702, 873,
881

(56) **References Cited**

U.S. PATENT DOCUMENTS

D199,126 S * 9/1964 Barrett D14/230
D255,449 S * 6/1980 Liautaud D14/233

D277,483 S * 2/1985 Newcomb D14/234
D345,363 S * 3/1994 Watanabe D14/234
D349,707 S * 8/1994 Drake D14/233

* cited by examiner

Primary Examiner—Louis S. Zarfes
Assistant Examiner—Gregory Andoll
(74) *Attorney, Agent, or Firm*—Leon D. Rosen

(57) **CLAIM**

The ornamental design for a cellular antenna, as shown and described.

DESCRIPTION

FIG. 1 is a front elevation view of a cellular antenna, showing my design, with part of the length of the mast being cut away;
FIG. 2 is a top view thereof;
FIG. 3 is a bottom view thereof;
FIG. 4 is a rear elevation view thereof;
FIG. 5 is a right side elevation view thereof, with the left side being a mirror image thereof; and,
FIG. 6 is a front elevation view thereof, with all of the mast being shown.

1 Claim, 3 Drawing Sheets

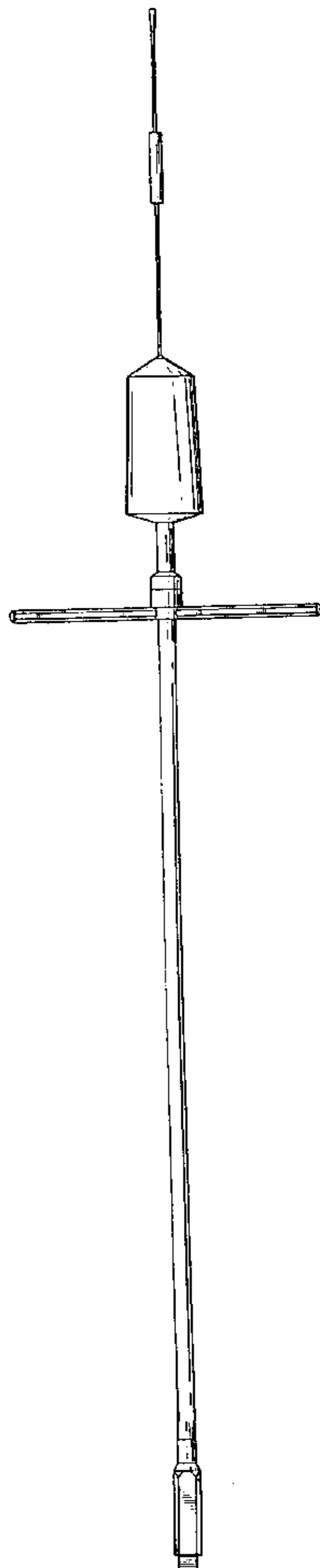


FIG. 1

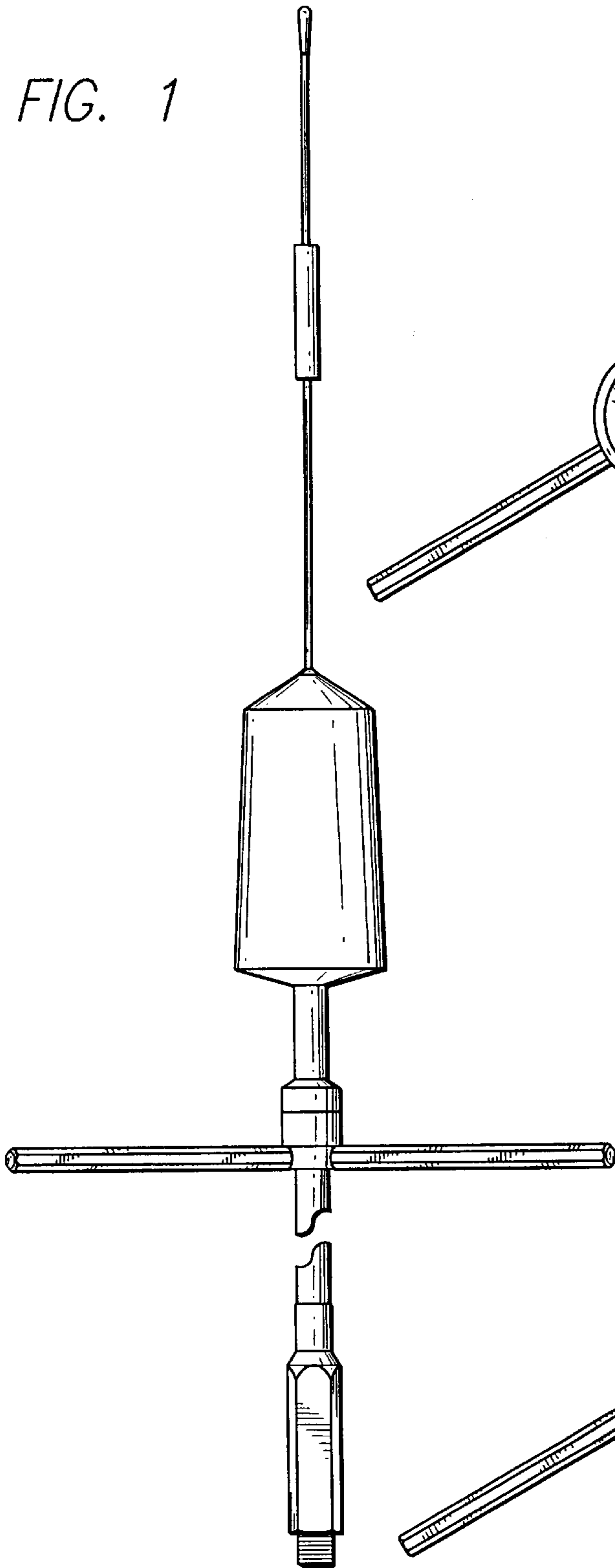


FIG. 2

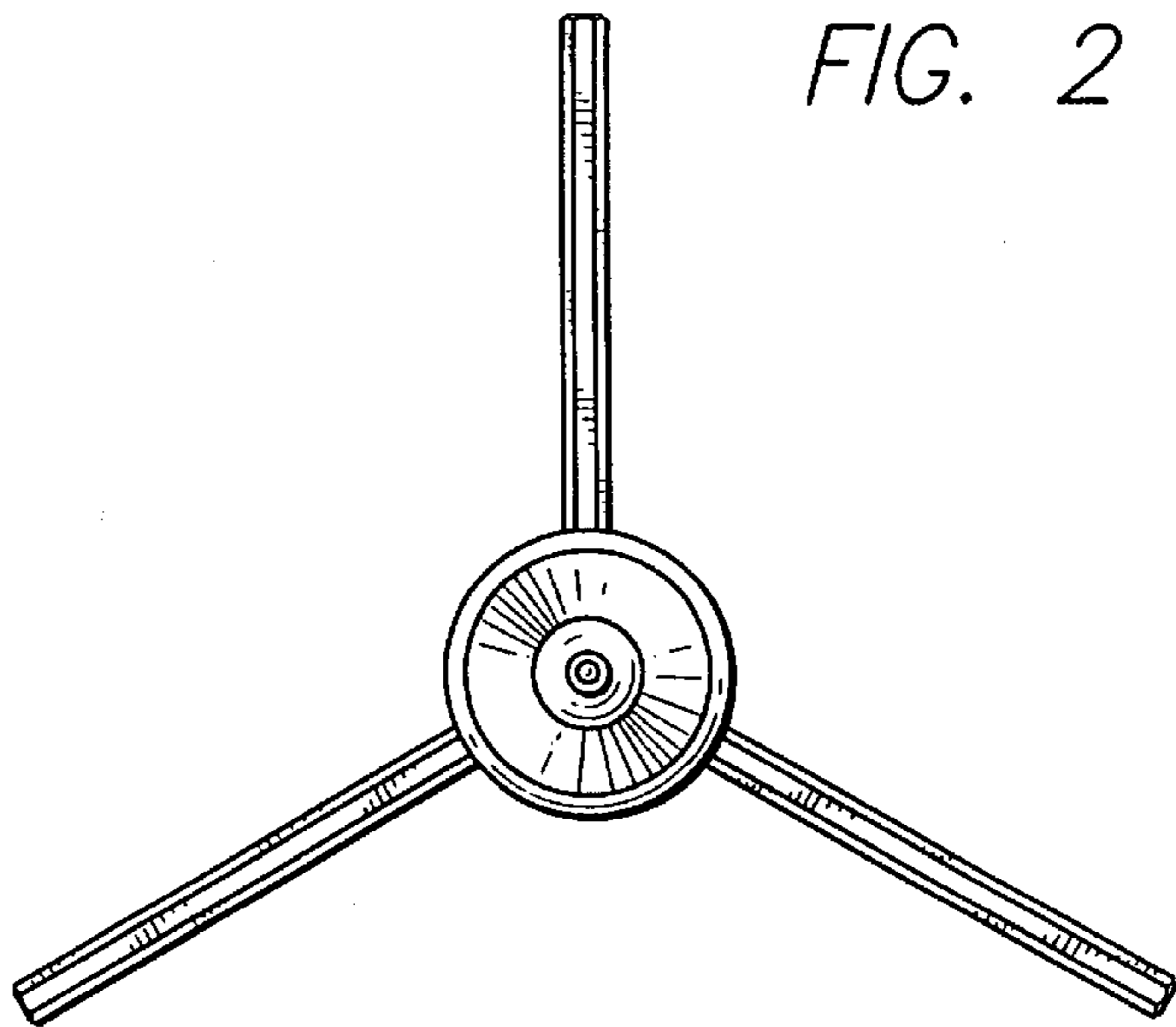


FIG. 3

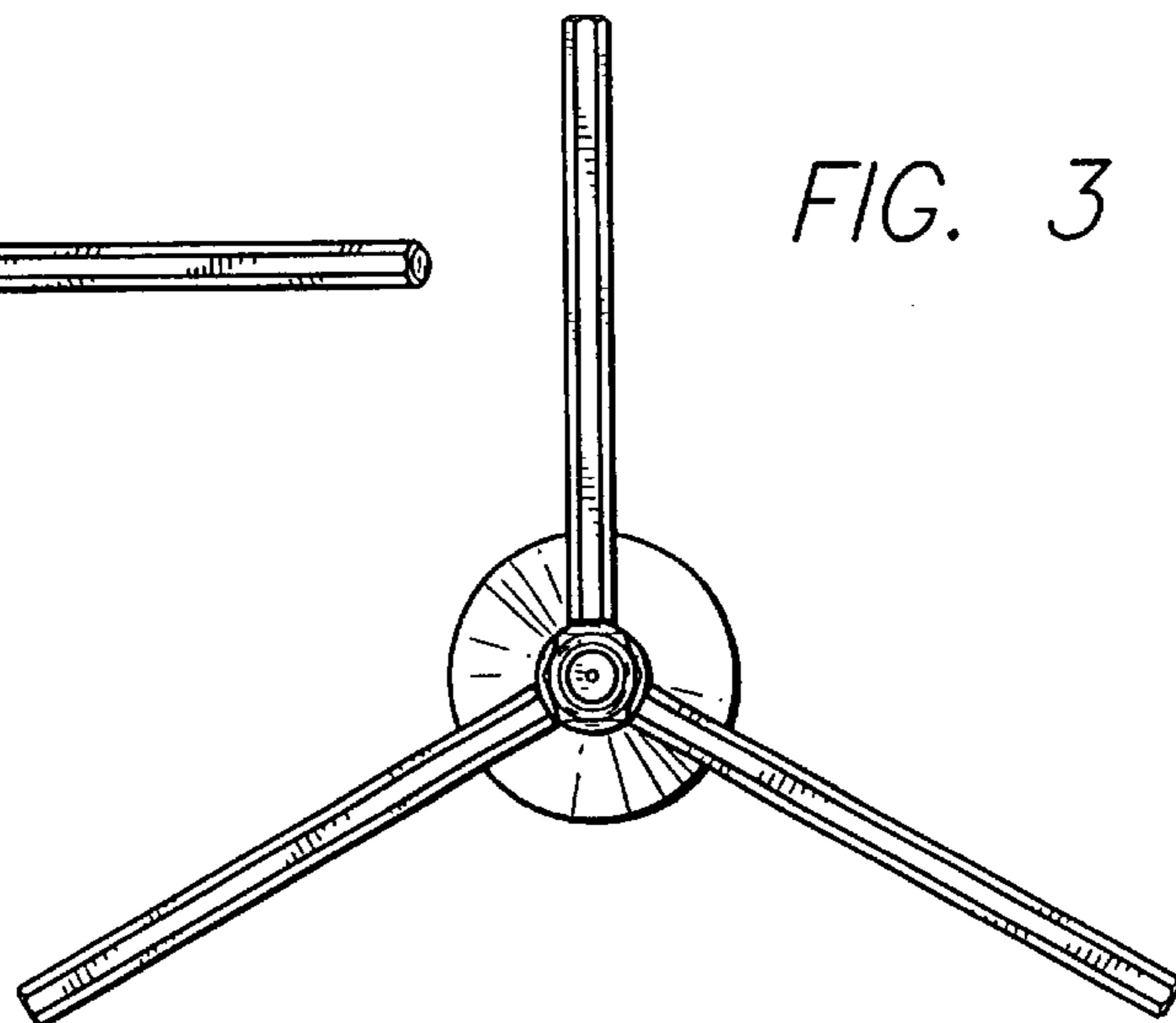


FIG. 4

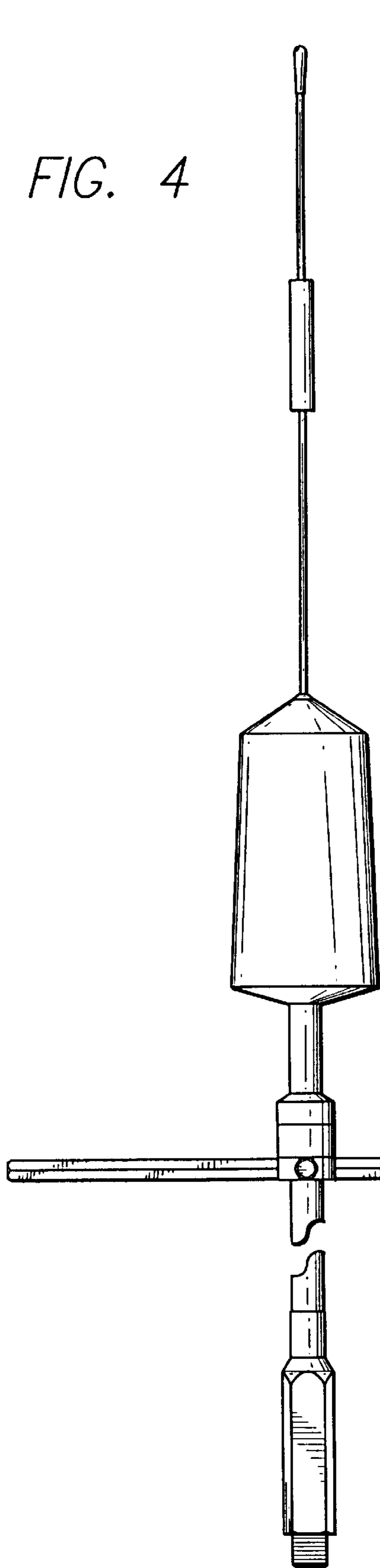
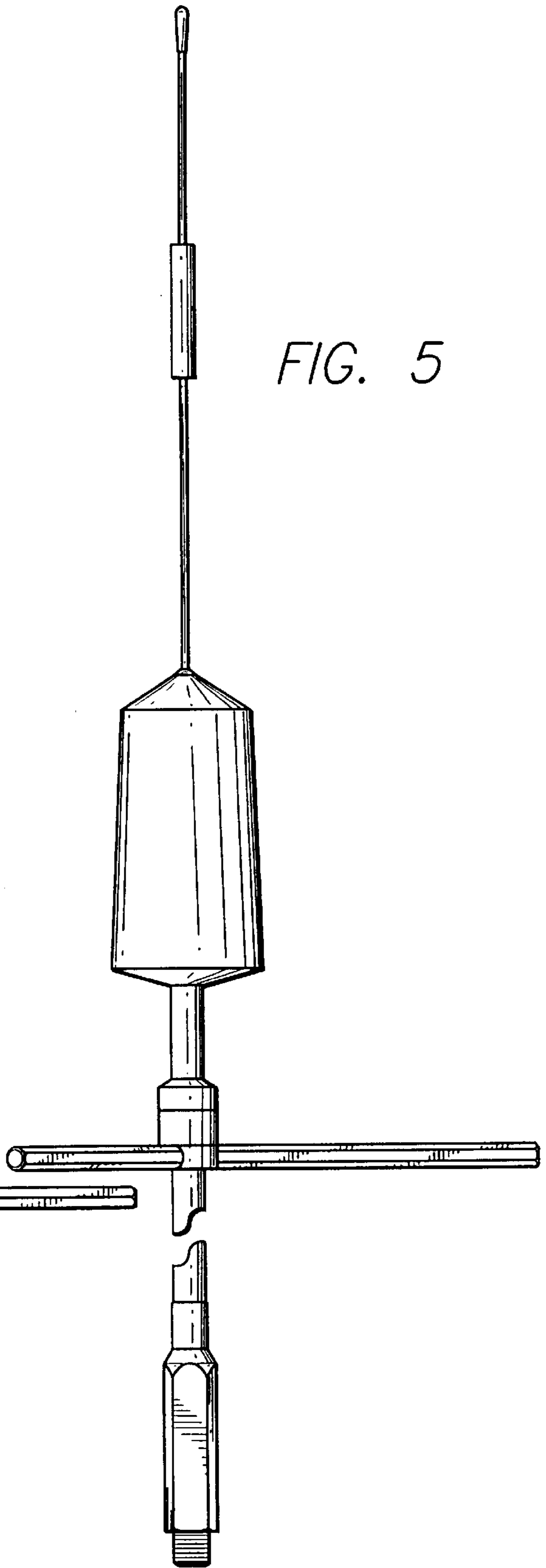


FIG. 5



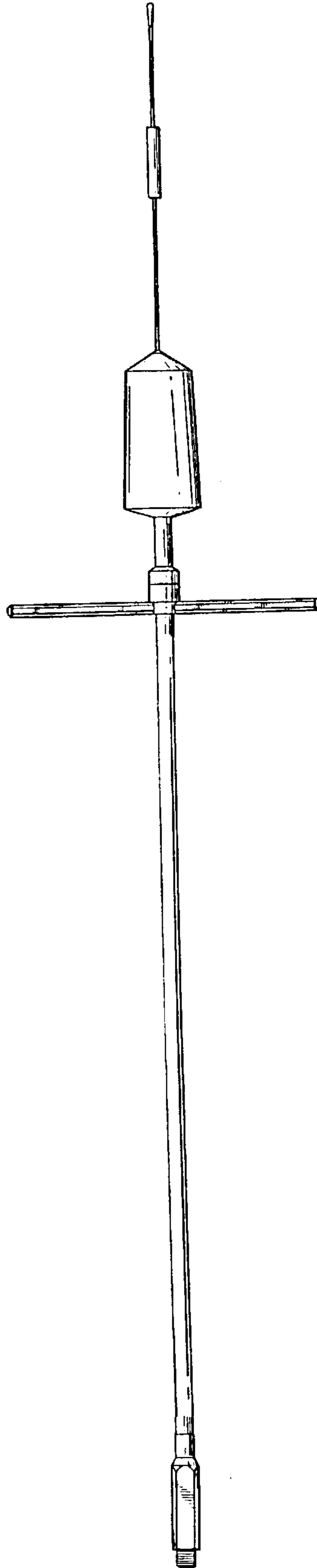


FIG. 6