



US00D457515S

(12) **United States Design Patent**  
**Masamitsu et al.**

(10) **Patent No.:** **US D457,515 S**

(45) **Date of Patent:** **\*\* May 21, 2002**

(54) **EARPHONE**

6,138,790 A \* 10/2000 Leight ..... 181/130

(75) Inventors: **Satoshi Masamitsu; Keitaro Tsuboki,**  
both of Tokyo (JP)

\* cited by examiner

(73) Assignee: **Sony Corporation,** Tokyo (JP)

*Primary Examiner*—Nanda Bondade  
(74) *Attorney, Agent, or Firm*—Rader, Fishman & Grauer,  
PLLC

(\*\*) Term: **14 Years**

(57) **CLAIM**

(21) Appl. No.: **29/144,283**

The ornamental design for an earphone, as shown and described.

(22) Filed: **Jul. 2, 2001**

**DESCRIPTION**

(51) **LOC (7) Cl.** ..... **14-01**

FIG. 1 is a perspective view of an earphone showing our new design;

(52) **U.S. Cl.** ..... **D14/223; D14/192**

FIG. 2 is a front elevational view thereof;

(58) **Field of Search** ..... **D14/188, 192,**

FIG. 3 is a rear elevational view thereof;

**D14/205–206, 223; 181/129–130; 379/430,**

FIG. 4 is a left side elevational view thereof;

**433; 381/370, 376–381; 2/205, 206, 209,**

FIG. 5 is a right side elevational view thereof;

**421–423**

FIG. 6 is a top plan view thereof;

(56) **References Cited**

FIG. 7 is a bottom plan view thereof;

**U.S. PATENT DOCUMENTS**

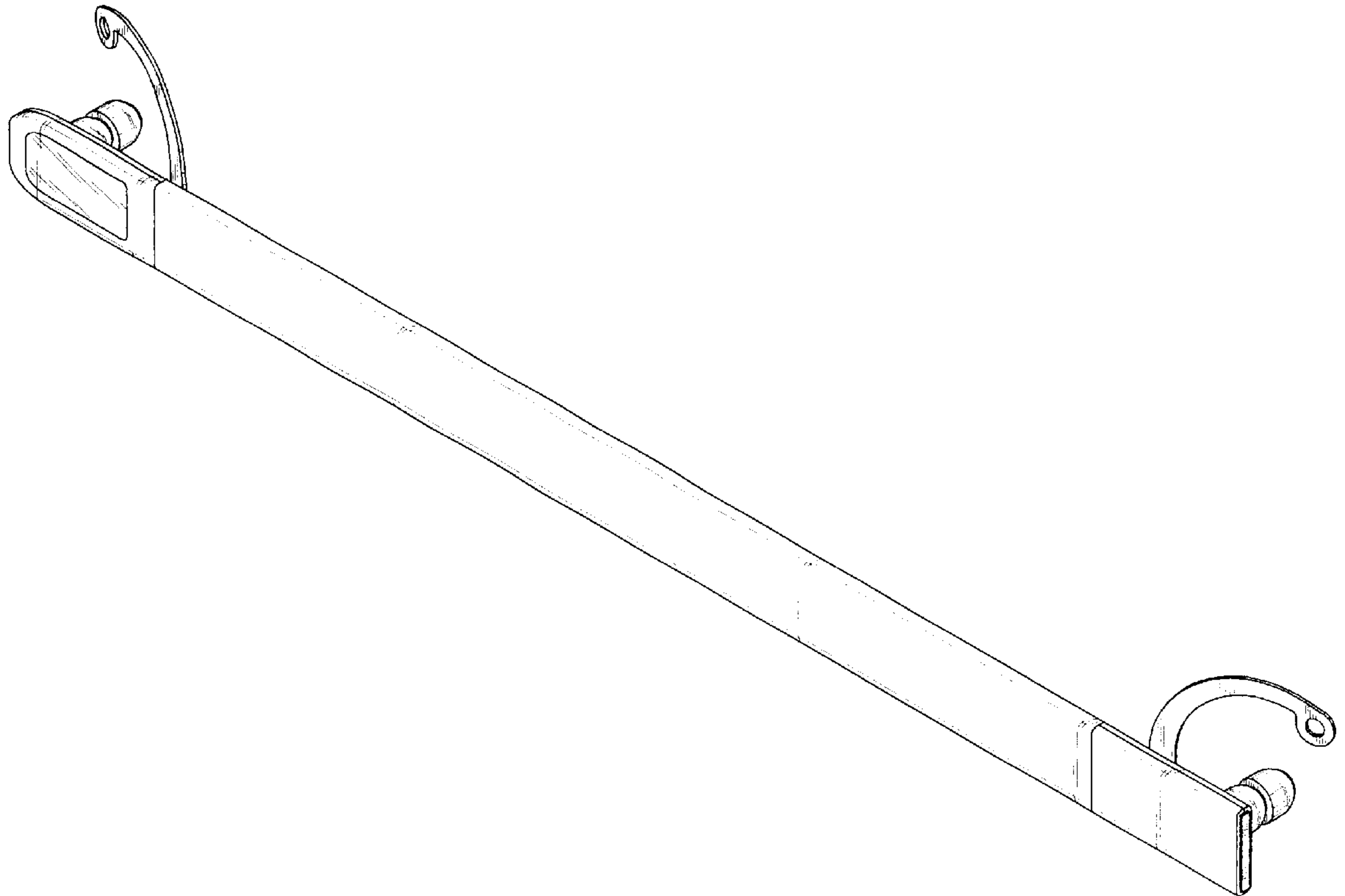
FIG. 8 is an enlarged left side view thereof; and,

4,243,851 A \* 1/1981 Forney ..... 2/423 X

FIG. 9 is an enlarged right side view thereof.

D397,838 S \* 9/1998 Waggoner et al. .... D14/192 X

**1 Claim, 5 Drawing Sheets**



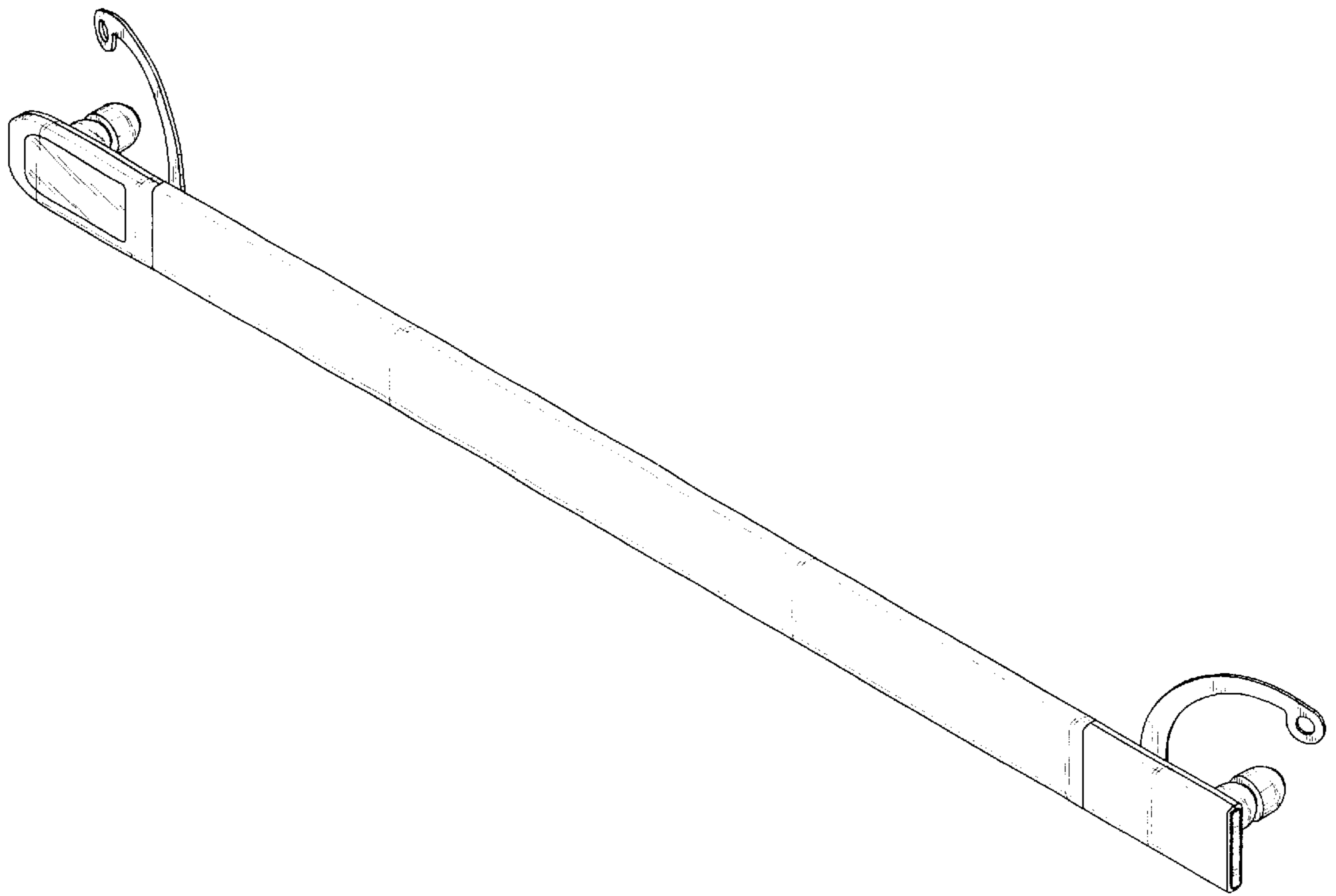
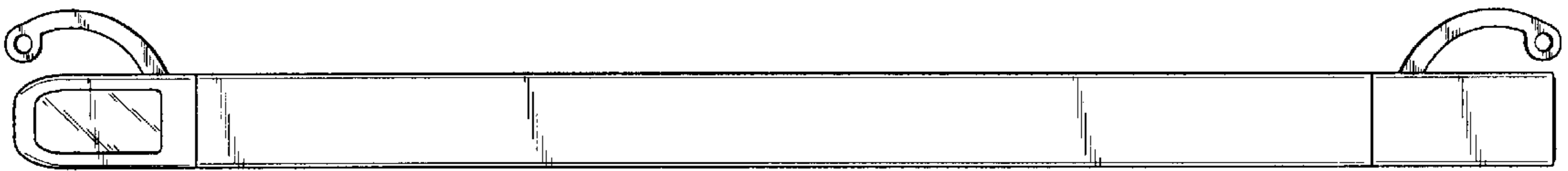
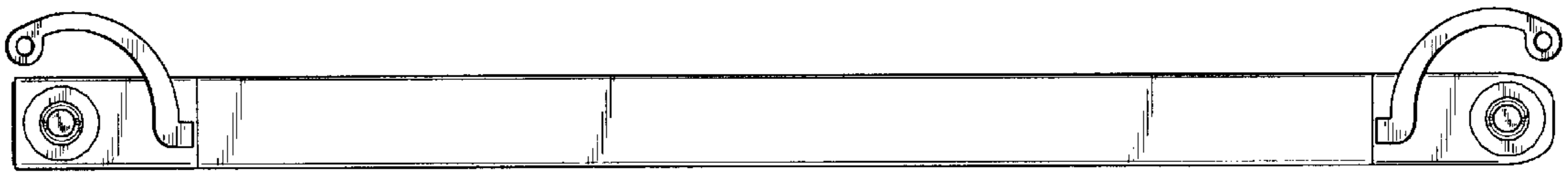


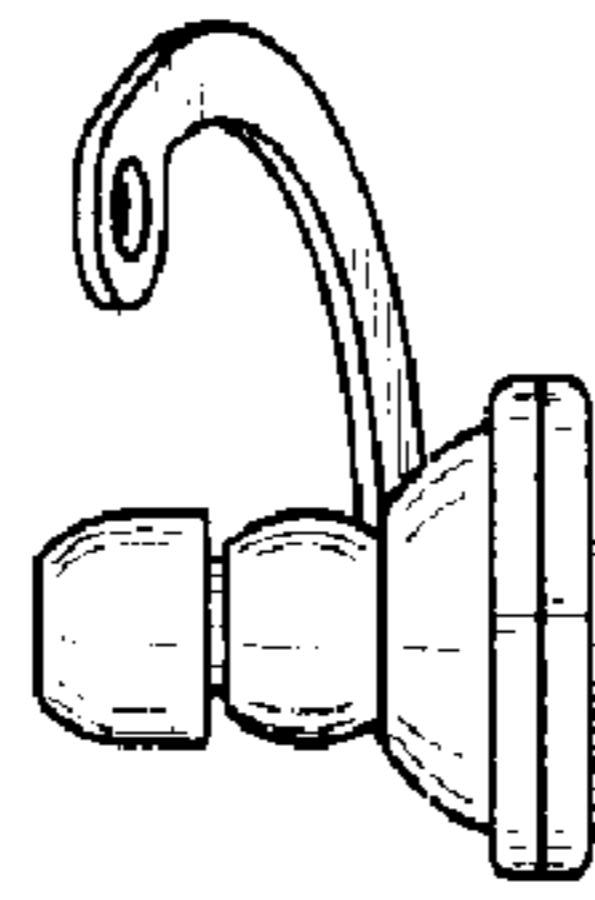
Fig. 1



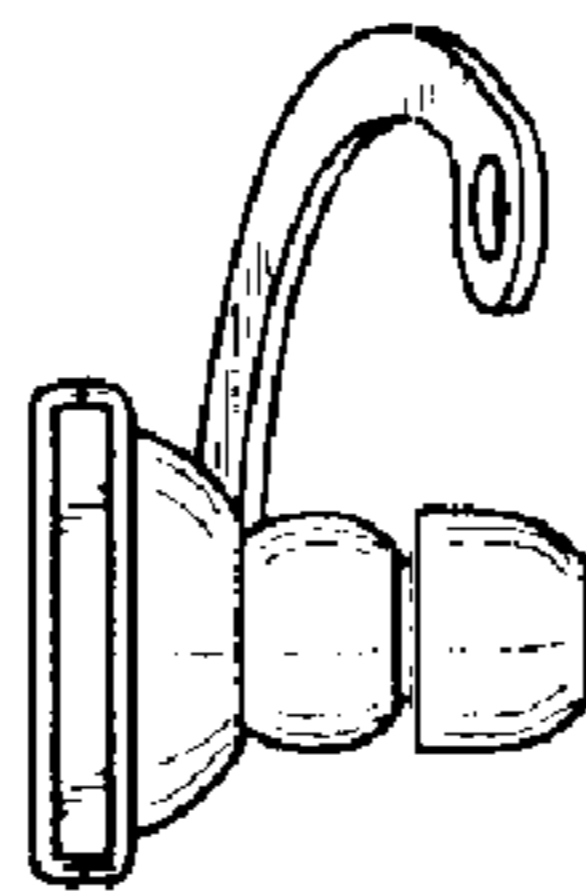
**Fig. 2**



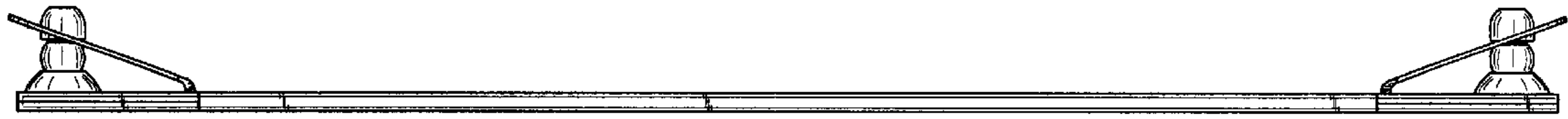
**Fig. 3**



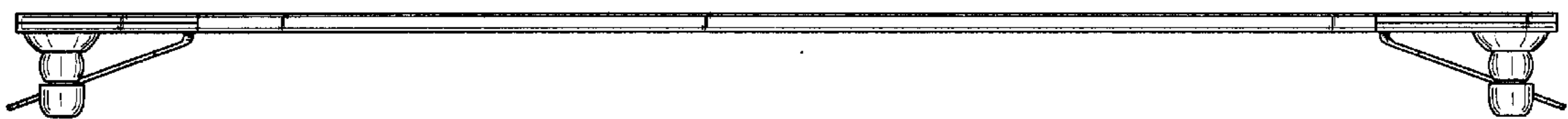
**Fig. 4**



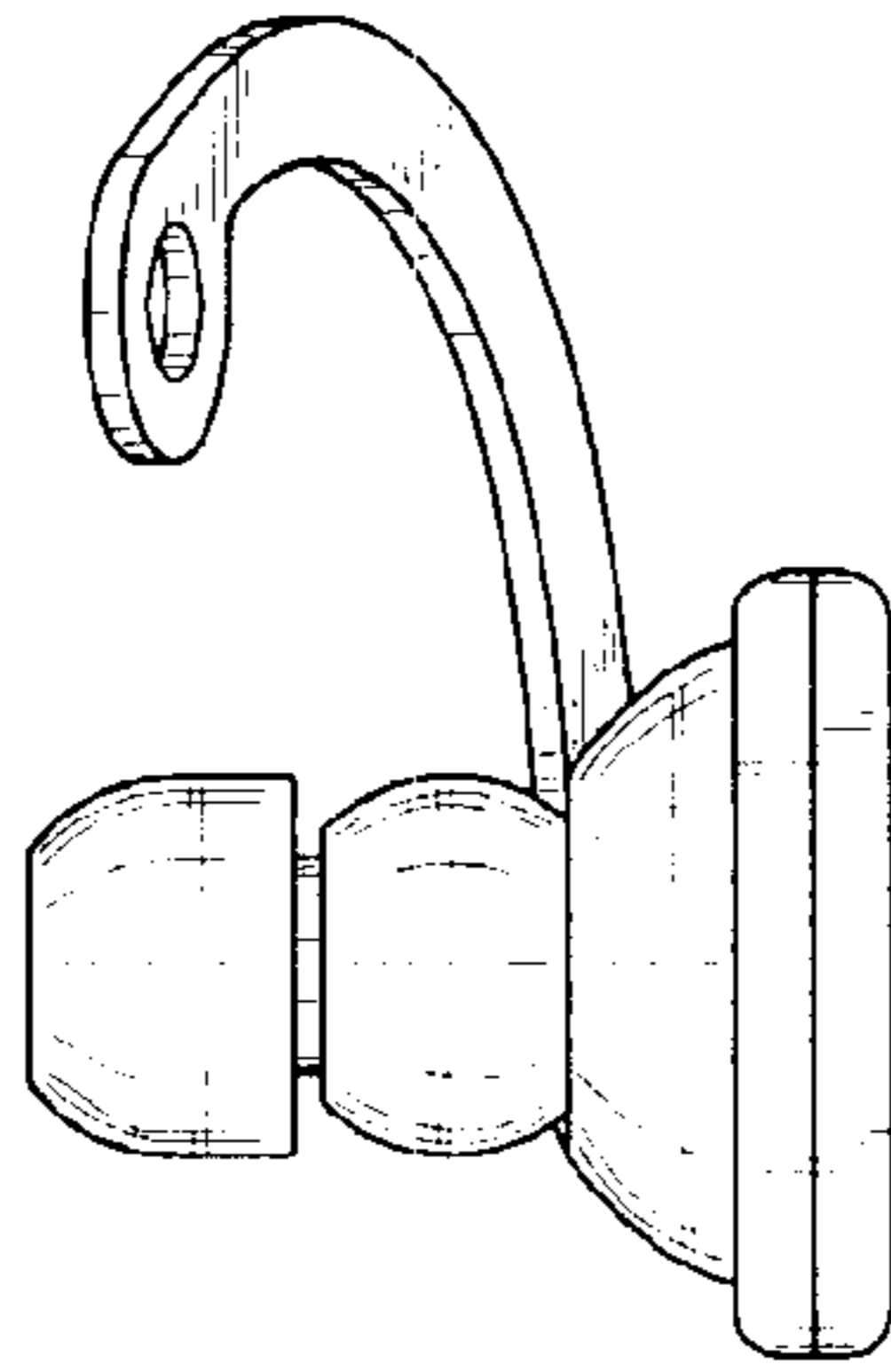
**Fig. 5**



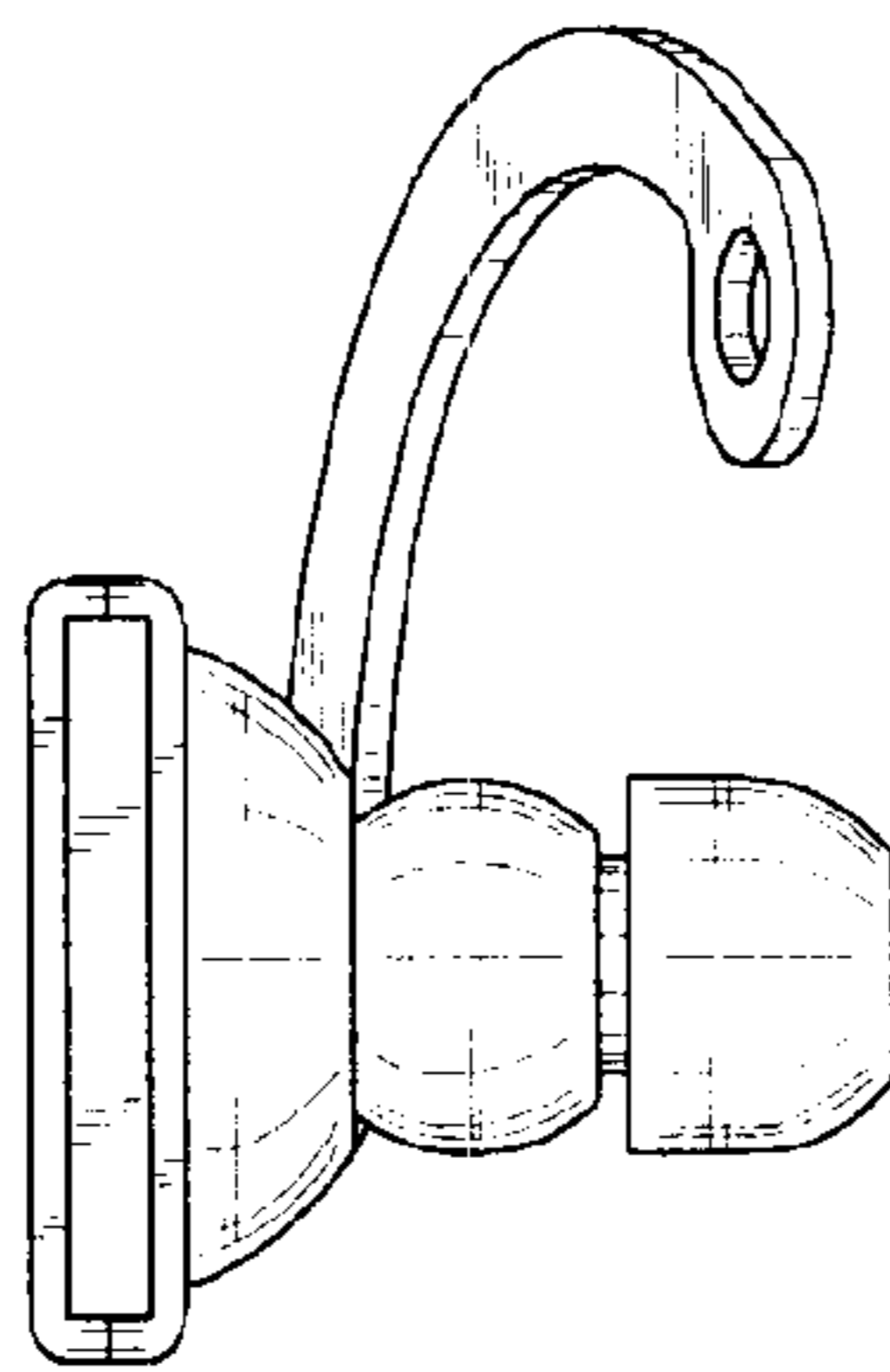
**Fig. 6**



**Fig. 7**



**Fig. 8**



**Fig. 9**