



US00D457511S

(12) **United States Design Patent**  
**Yuen**

(10) **Patent No.:** **US D457,511 S**

(45) **Date of Patent:** **\*\* May 21, 2002**

(54) **AM/FM RADIO WITH SOOTHING SOUNDS**

(76) **Inventor:** **Se Kit Yuen**, 6/F., Yau Lee Centre, 45  
Hoi Yuen Road, Kwun Tong, Kowloon,  
Hong Kong (CN)

(\*\*) **Term:** **14 Years**

(21) **Appl. No.:** **29/143,664**

(22) **Filed:** **Jun. 19, 2001**

(30) **Foreign Application Priority Data**

Mar. 30, 2001 (GB) ..... 2100754

(51) **LOC (7) Cl.** ..... **14-03**

(52) **U.S. Cl.** ..... **D14/197**

(58) **Field of Search** ..... D14/170, 171,  
D14/168, 188, 194-198; 455/344, 347,  
350, 351, 352, 899

(56) **References Cited**

**U.S. PATENT DOCUMENTS**

D217,986 S \* 7/1970 Becker et al. .... D14/197

D344,520 S \* 2/1994 Chan ..... D14/197  
D362,437 S \* 9/1995 Boyd ..... D14/171  
D396,721 S \* 8/1998 Naganoma et al. .... D14/197  
D415,760 S \* 10/1999 Isonaga ..... D14/171  
D434,749 S \* 12/2000 Ito et al. .... D14/156

\* cited by examiner

*Primary Examiner*—Prabhakar Deshmukh

(74) *Attorney, Agent, or Firm*—Raymond Y. Chan; David  
and Raymond Patent Group

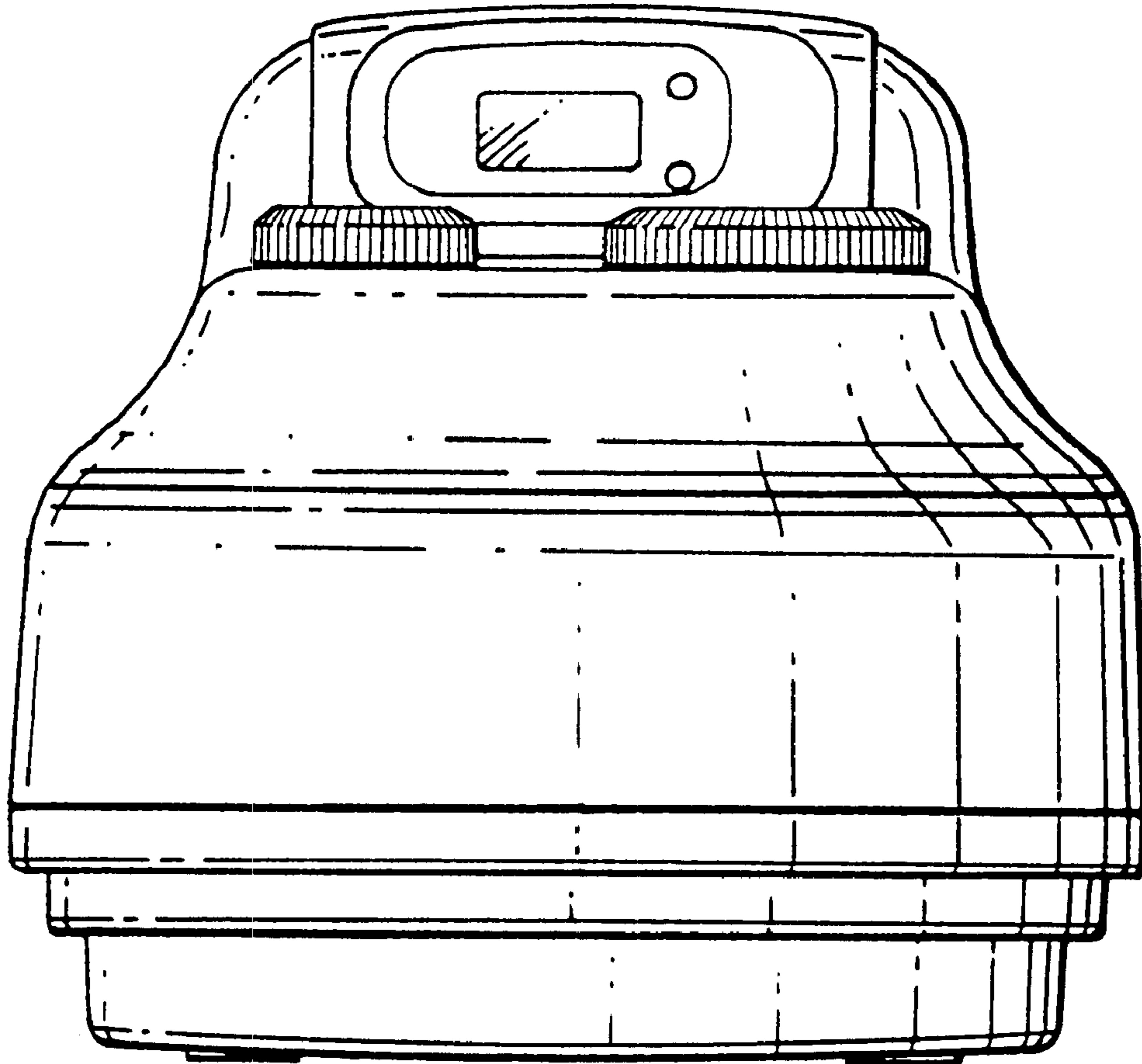
(57) **CLAIM**

The ornamental design for a AM/FM radio with soothing  
sounds, as shown and described.

**DESCRIPTION**

FIG. 1 is a front view of my new design.  
FIG. 2 is a rear view thereof.  
FIG. 3 is a right end view thereof.  
FIG. 4 is a left end view thereof.  
FIG. 5 is a top view thereof; and,  
FIG. 6 is a bottom view thereof.

**1 Claim, 3 Drawing Sheets**



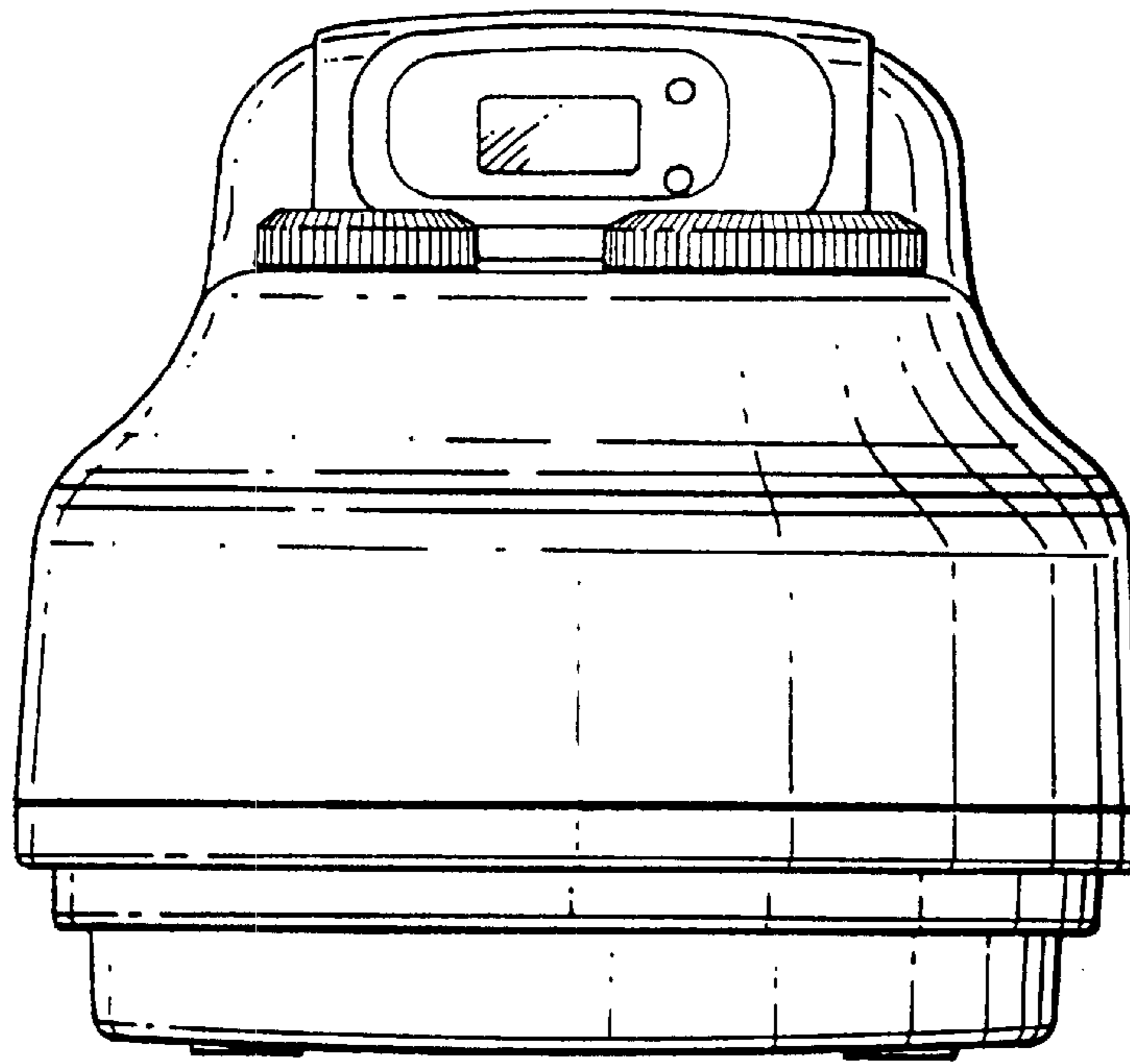


FIG. 1

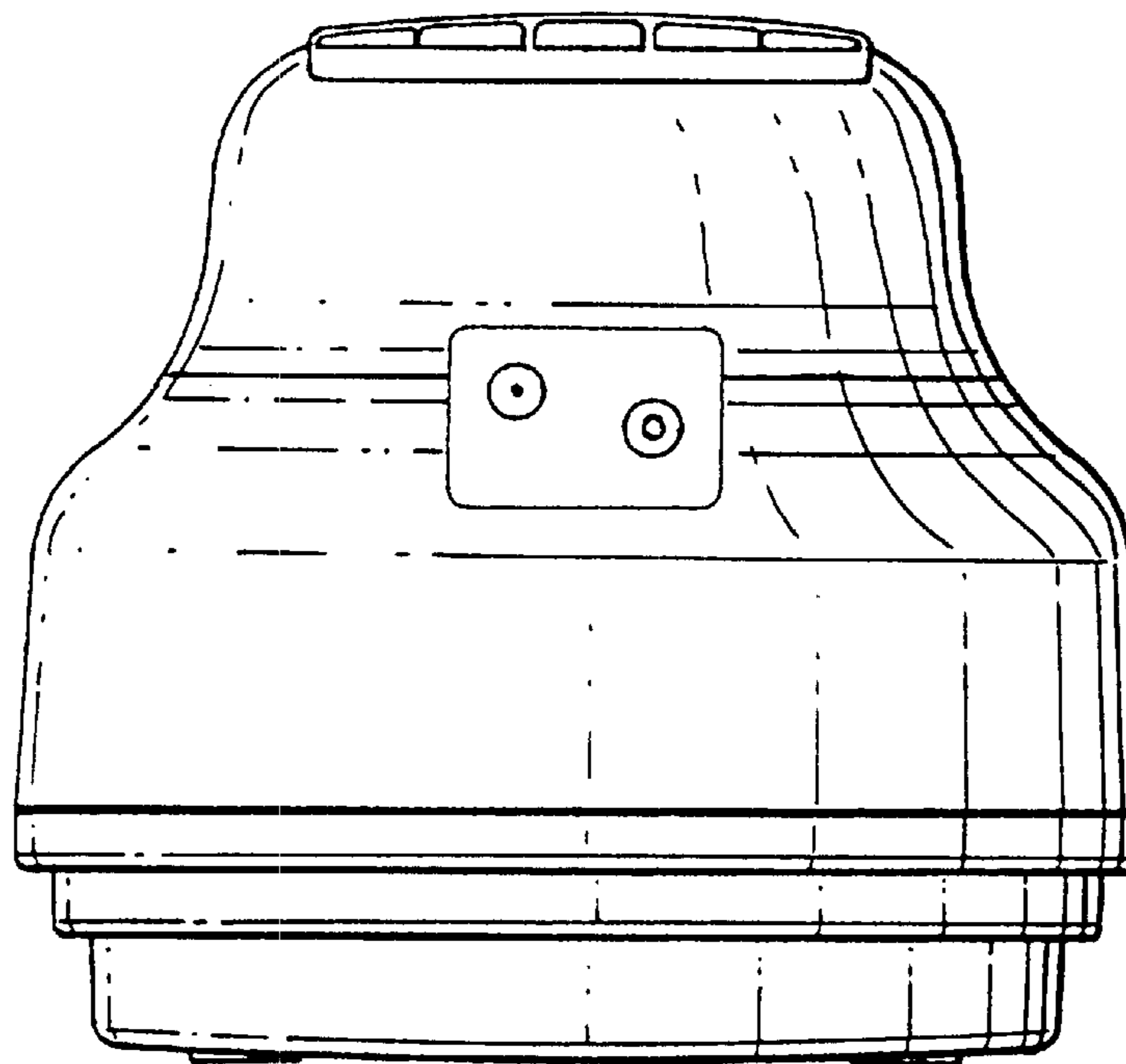


FIG. 2

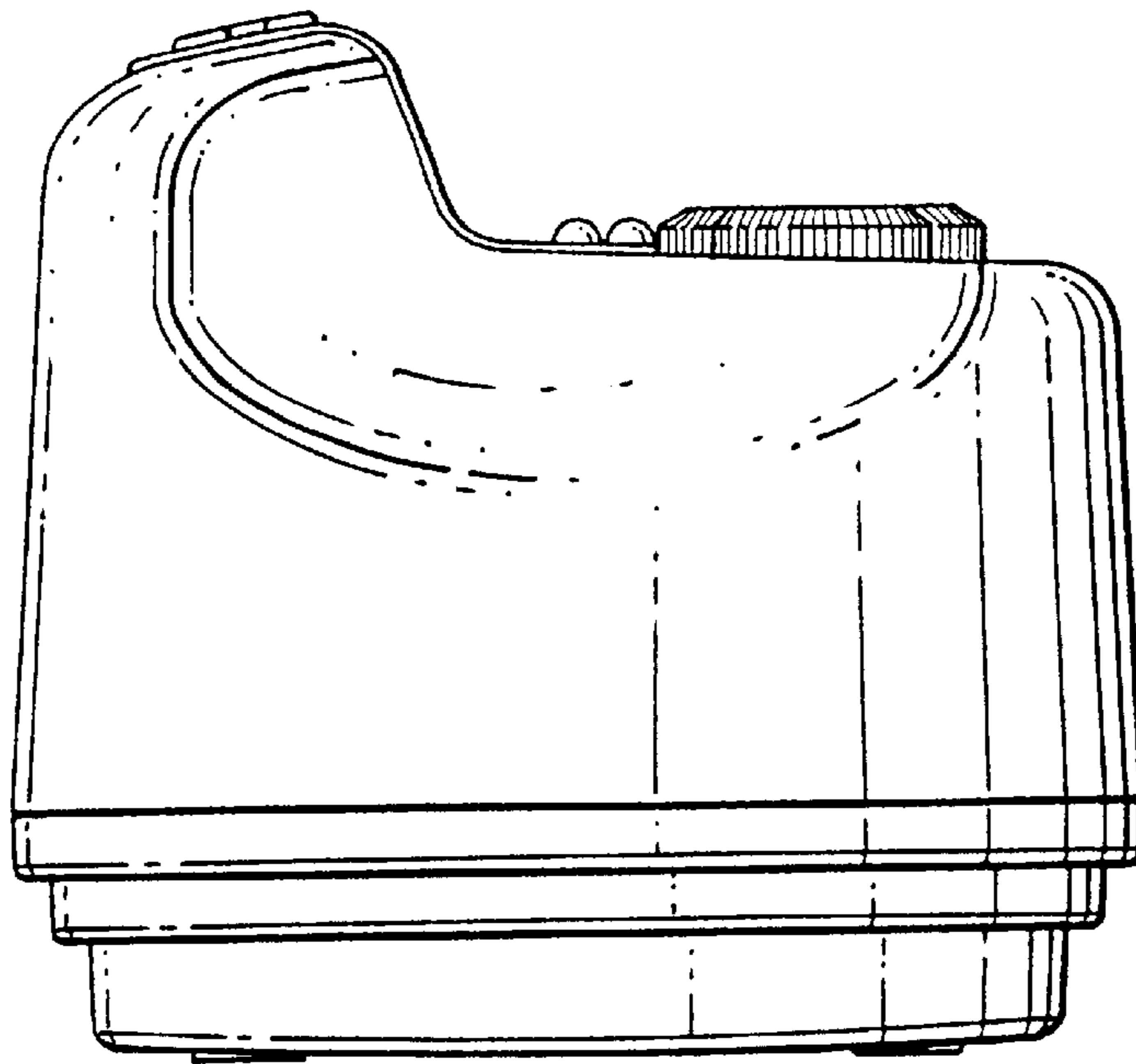


FIG. 3

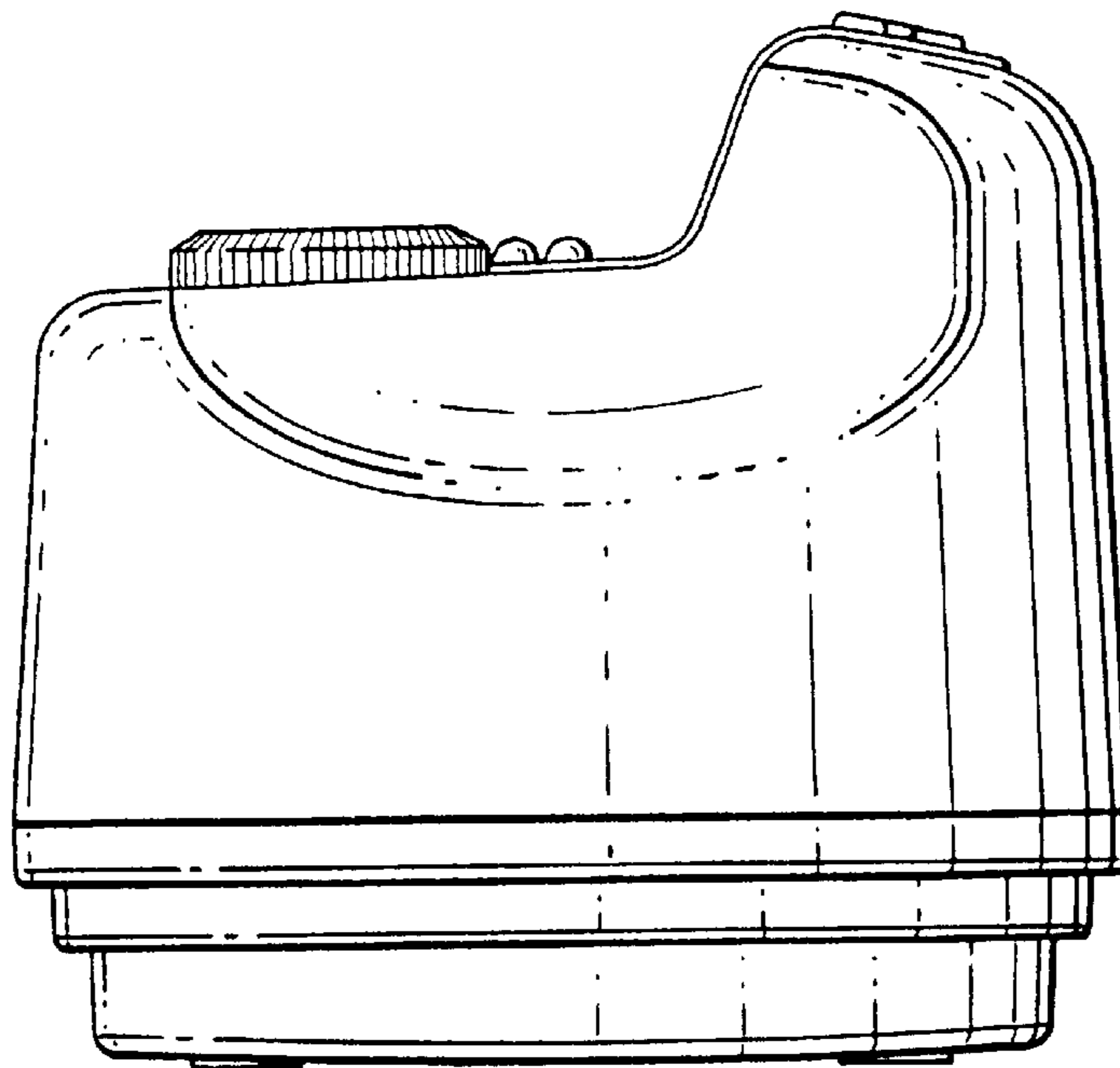


FIG. 4

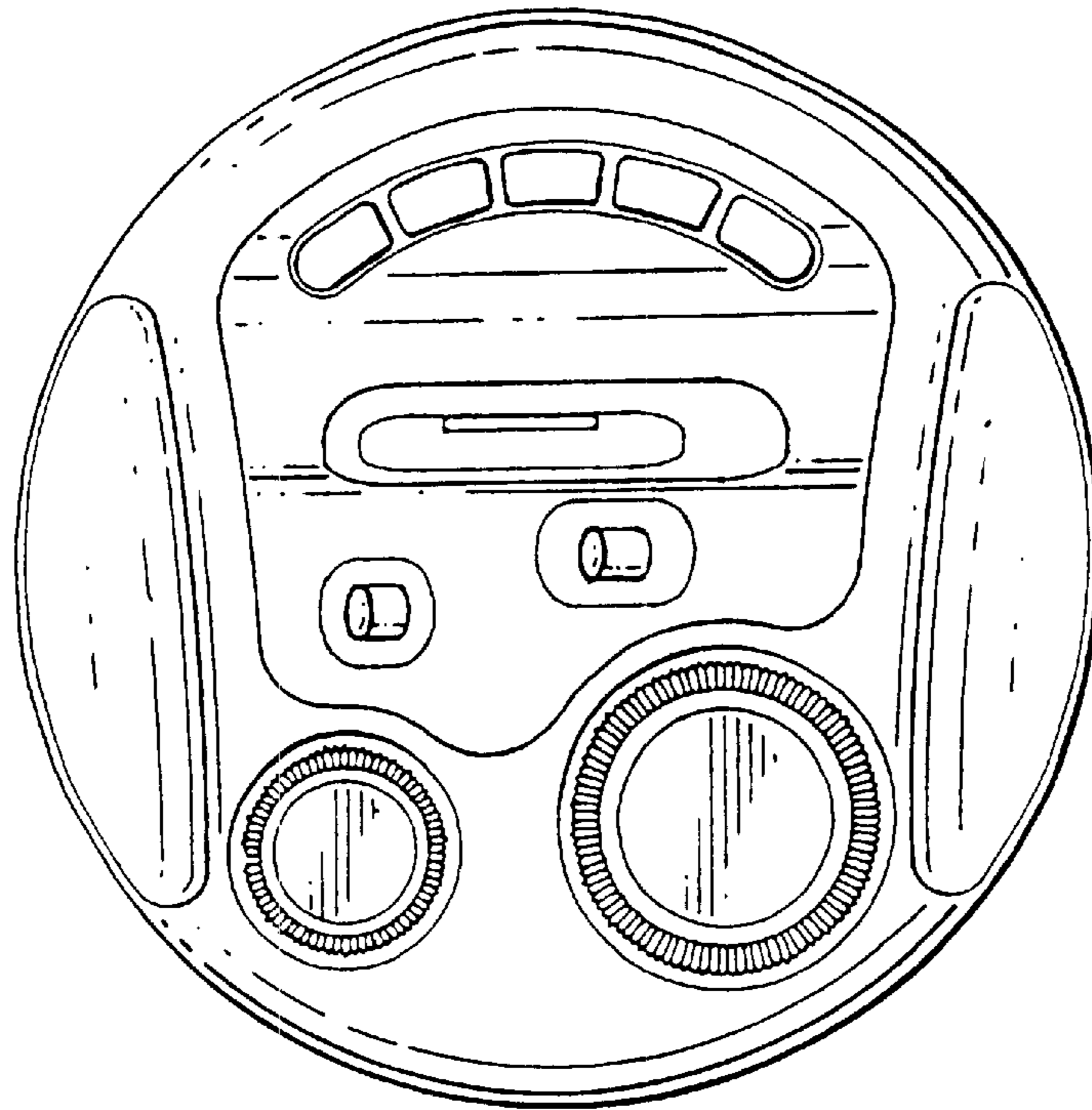


FIG. 5

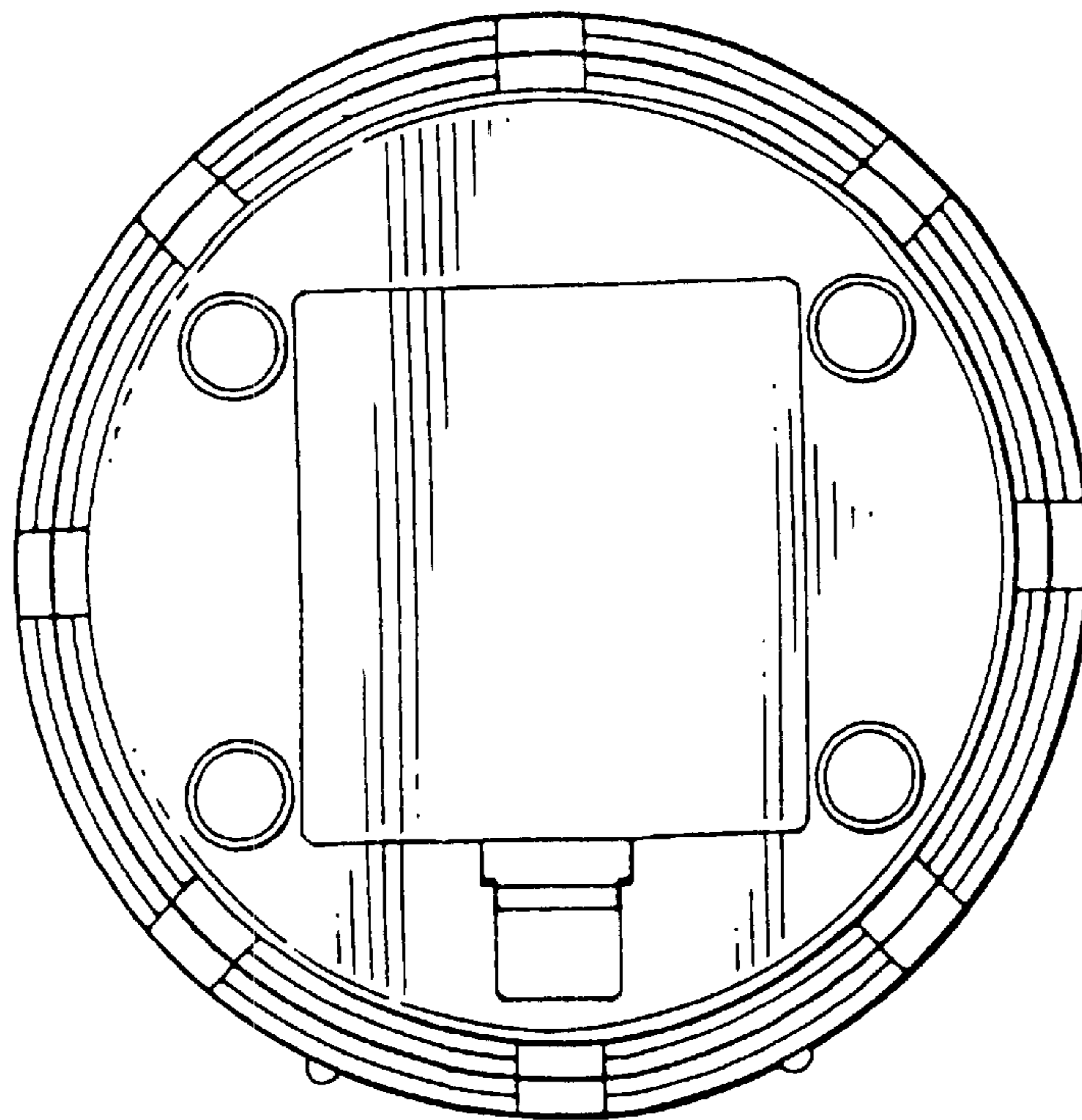


FIG. 6