



US00D457510S

(12) **United States Design Patent**
Olzak et al.

(10) **Patent No.:** **US D457,510 S**

(45) **Date of Patent:** **** May 21, 2002**

(54) **ENCLOSURE FOR INFORMATION RECORDER**

(75) Inventors: **Richard A. Olzak**, Kirkland; **Gary Kersten**, Duvall, both of WA (US)

(73) Assignee: **Honeywell International, Inc.**, Morristown, NJ (US)

(**) Term: **14 Years**

(21) Appl. No.: **29/113,697**

(22) Filed: **Nov. 9, 1999**

Related U.S. Application Data

(63) Continuation of application No. 29/087,061, filed on Apr. 24, 1998, now Pat. No. Des. 425,506.

(51) **LOC (7) Cl.** **14-01**

(52) **U.S. Cl.** **D14/167**

(58) **Field of Search** D12/345; D14/160-165, D14/167-168, 188, 189, 193-198, 217, 299; 455/344, 347-351

(56) **References Cited**

U.S. PATENT DOCUMENTS

D67,521 S	*	6/1925	Herman	D14/188
D113,004 S	*	1/1939	Karstadt	D14/194
3,611,150 A	*	10/1971	Timm	D14/197 X
D371,787 S	*	7/1996	Sohn	D14/188
D392,640 S	*	3/1998	Tully et al.	D14/188 X

* cited by examiner

Primary Examiner—Nanda Bondade

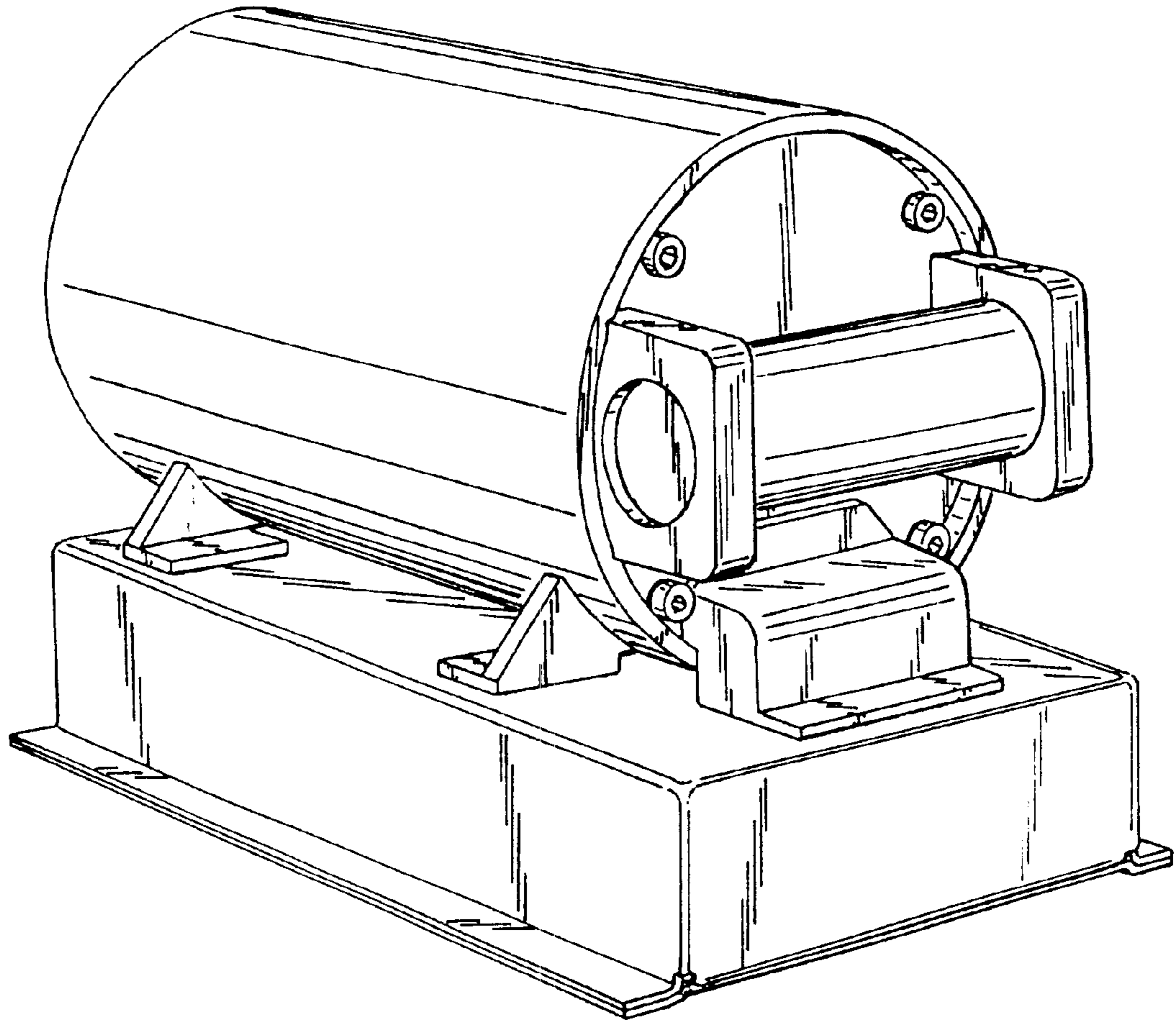
(57) **CLAIM**

The ornamental design for an enclosure for information recorder, as shown and described.

DESCRIPTION

The single view shown is a perspective view of an enclosure for information recorder showing our new design.

1 Claim, 1 Drawing Sheet



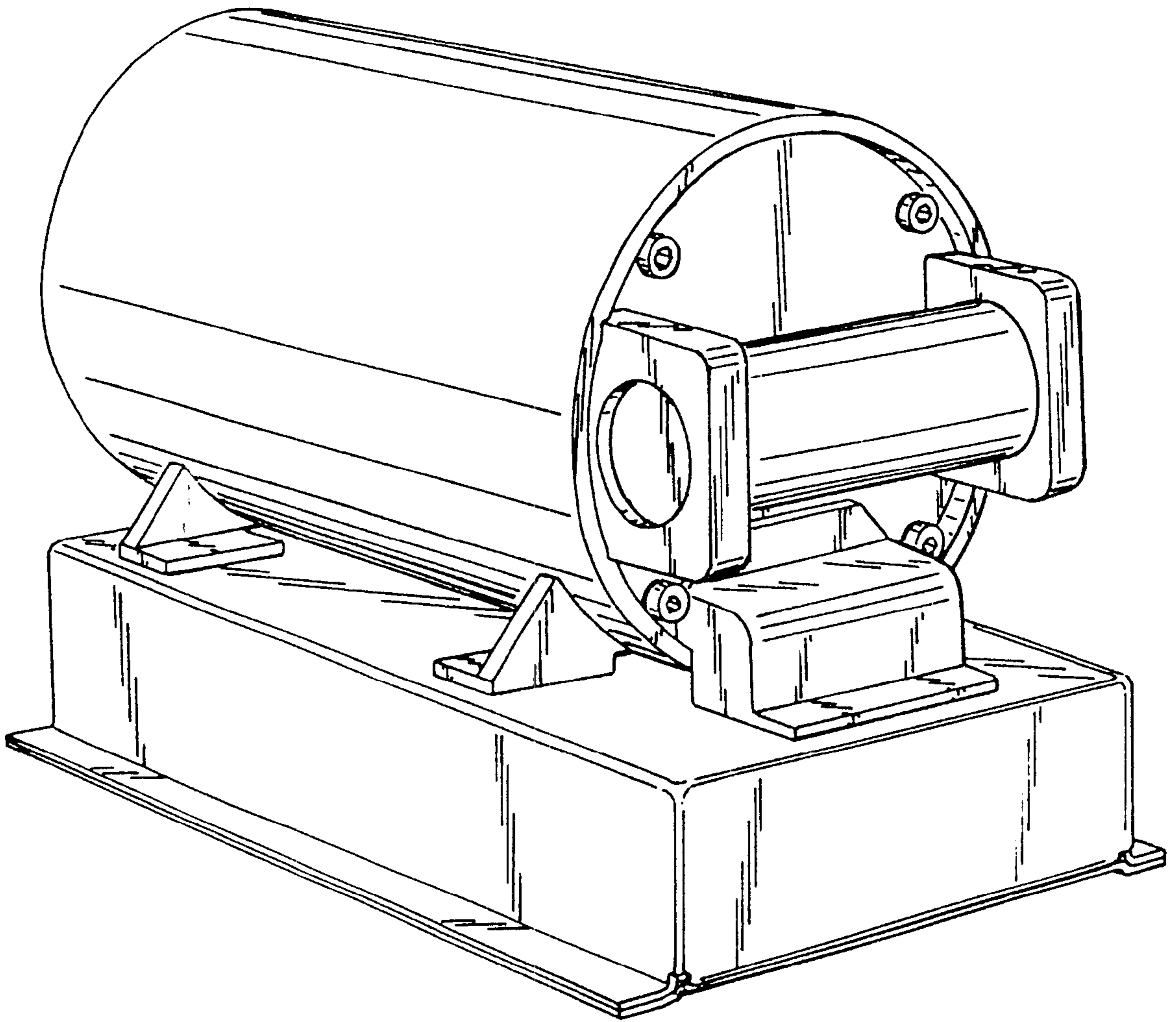


FIG. 1.