



US00D457506S

(12) **United States Design Patent**  
**Scribner**

(10) **Patent No.:** **US D457,506 S**

(45) **Date of Patent:** **\*\* May 21, 2002**

(54) **FLIP DOWN MONITOR BASE**

(75) Inventor: **Paul L. Scribner**, Walkerton, IN (US)

(73) Assignee: **Audiovox Specialized Applications, LLC**, Elkhart, IN (US)

(\*\*) Term: **14 Years**

(21) Appl. No.: **29/131,451**

(22) Filed: **Oct. 19, 2000**

(51) **LOC (7) Cl.** ..... **14-02**

(52) **U.S. Cl.** ..... **D14/132; D14/239**

(58) **Field of Search** ..... D14/125-136,  
D14/239, 371, 374, 315, 327, 375, 451;  
D12/415-418; D6/513; 296/37.1, 37.8,  
37.7, 70; 224/311, 539; 180/90; 248/917-924;  
312/7.2; 340/995; 345/905; 348/148, 825,  
827, 836-838, 840

(56) **References Cited**

**U.S. PATENT DOCUMENTS**

D394,432 S	*	5/1998	Rosen	.....	D14/132
D406,582 S	*	3/1999	Rosen	.....	D14/132
D410,458 S	*	6/1999	Rosen	.....	D14/132
5,946,055 A	*	8/1999	Rosen	.....	312/7.2
6,059,255 A	*	5/2000	Rosen	.....	248/917
D435,024 S	*	12/2000	Rosen	.....	D14/132
D437,837 S	*	2/2001	Harrison et al.	.....	D14/132

\* cited by examiner

*Primary Examiner*—Raphael Barkai

(74) *Attorney, Agent, or Firm*—Alzheimer & Gray

(57) **CLAIM**

The ornamental design for a “flip down monitor base,” as shown and described.

**DESCRIPTION**

FIG. 1 is a perspective view of the flip down monitor base with the monitor in an opened position showing the new design;

FIG. 2 is a perspective view of the flip down monitor base with the monitor in a closed position;

FIG. 3 is a front elevational view of the flip down monitor base;

FIG. 4 is a rear elevational view of the flip down monitor base;

FIG. 5 is a left side elevational view of the flip down monitor base;

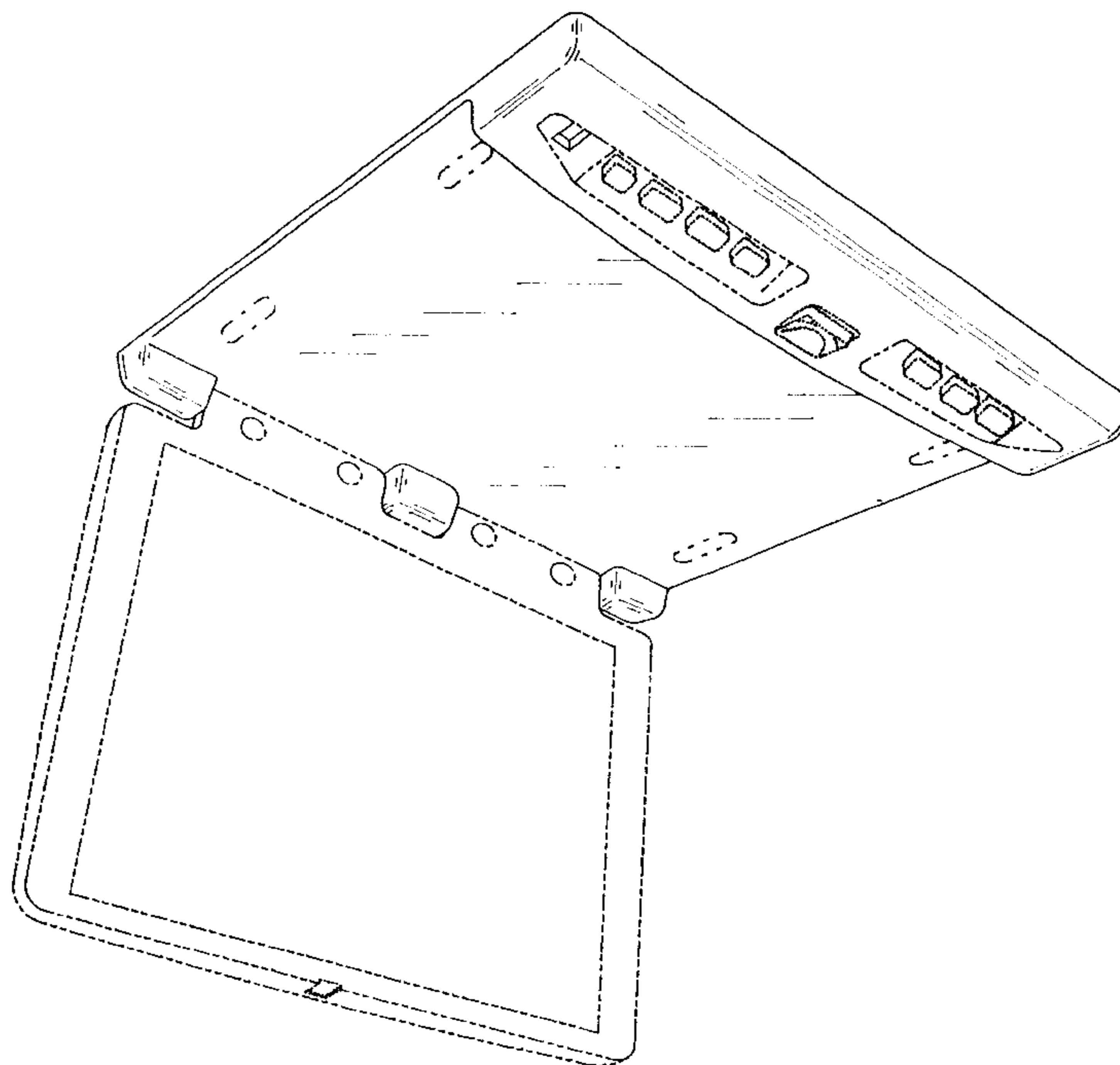
FIG. 6 is a right side elevational view of the flip down monitor base;

FIG. 7 is bottom plan view of the flip down monitor base; and,

FIG. 8 is a top plan view of the flip down monitor base.

The broken lines are for illustrative purposes only and form no part of the claimed design.

**1 Claim, 5 Drawing Sheets**



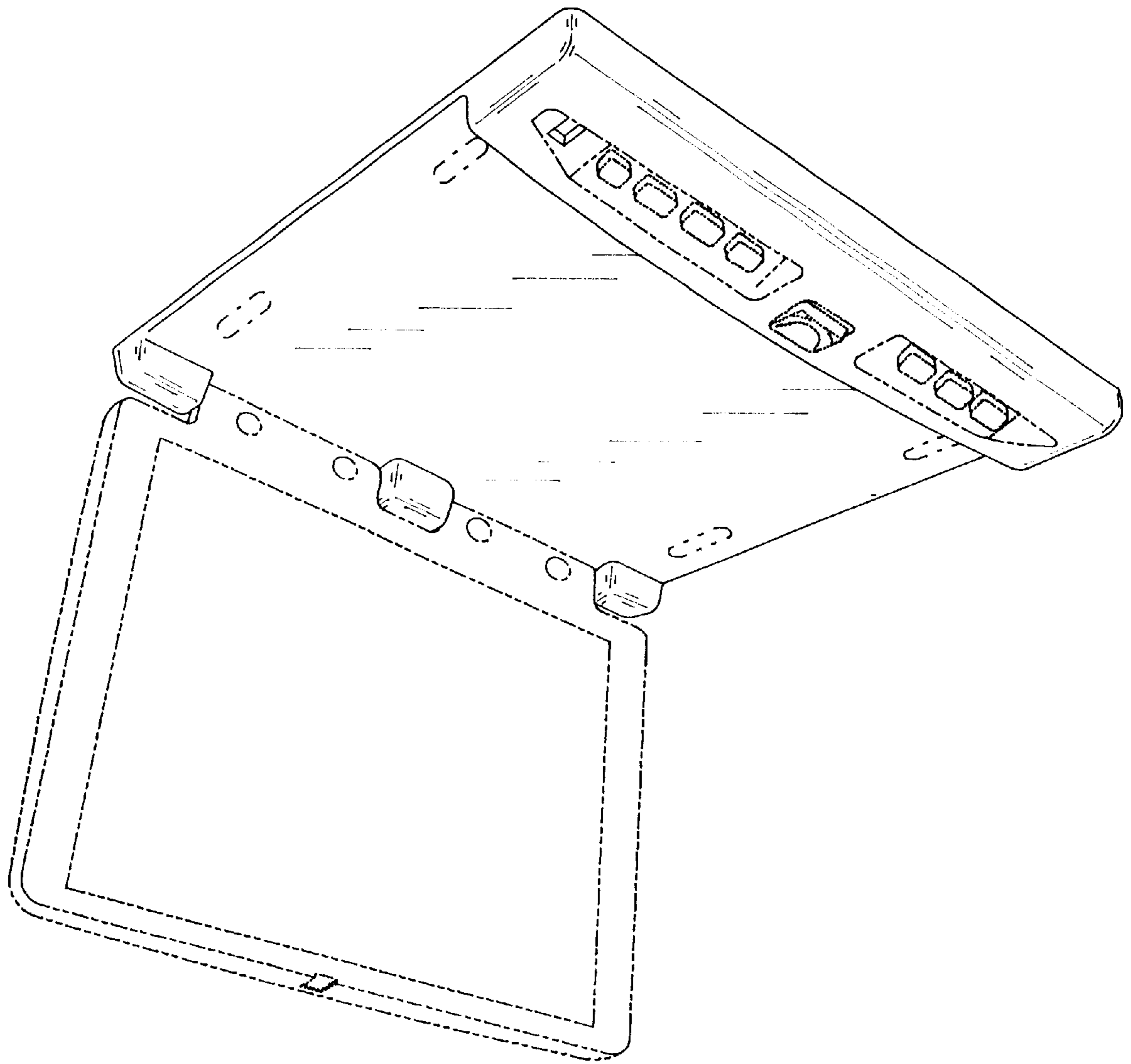


FIG. 1

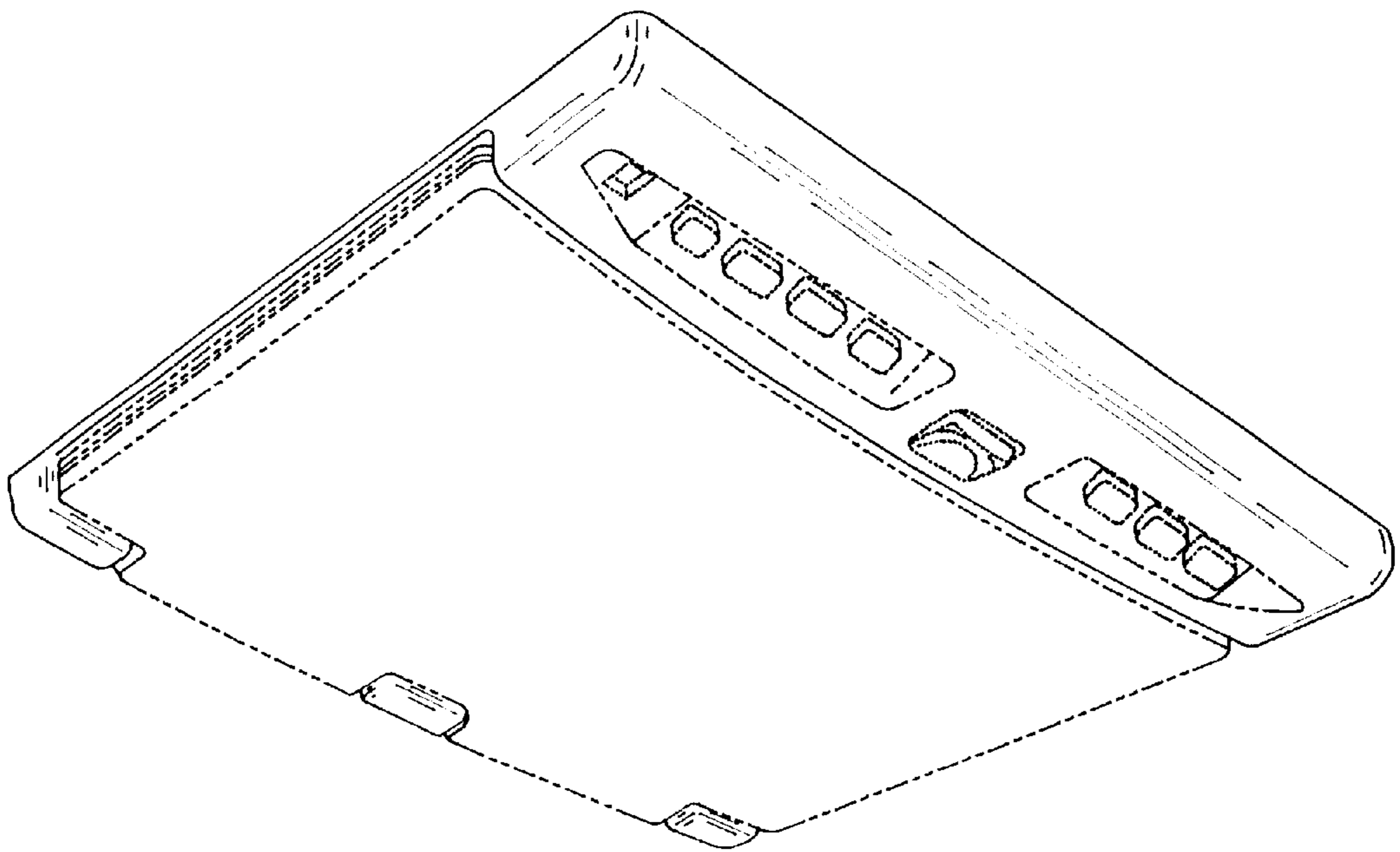


FIG. 2

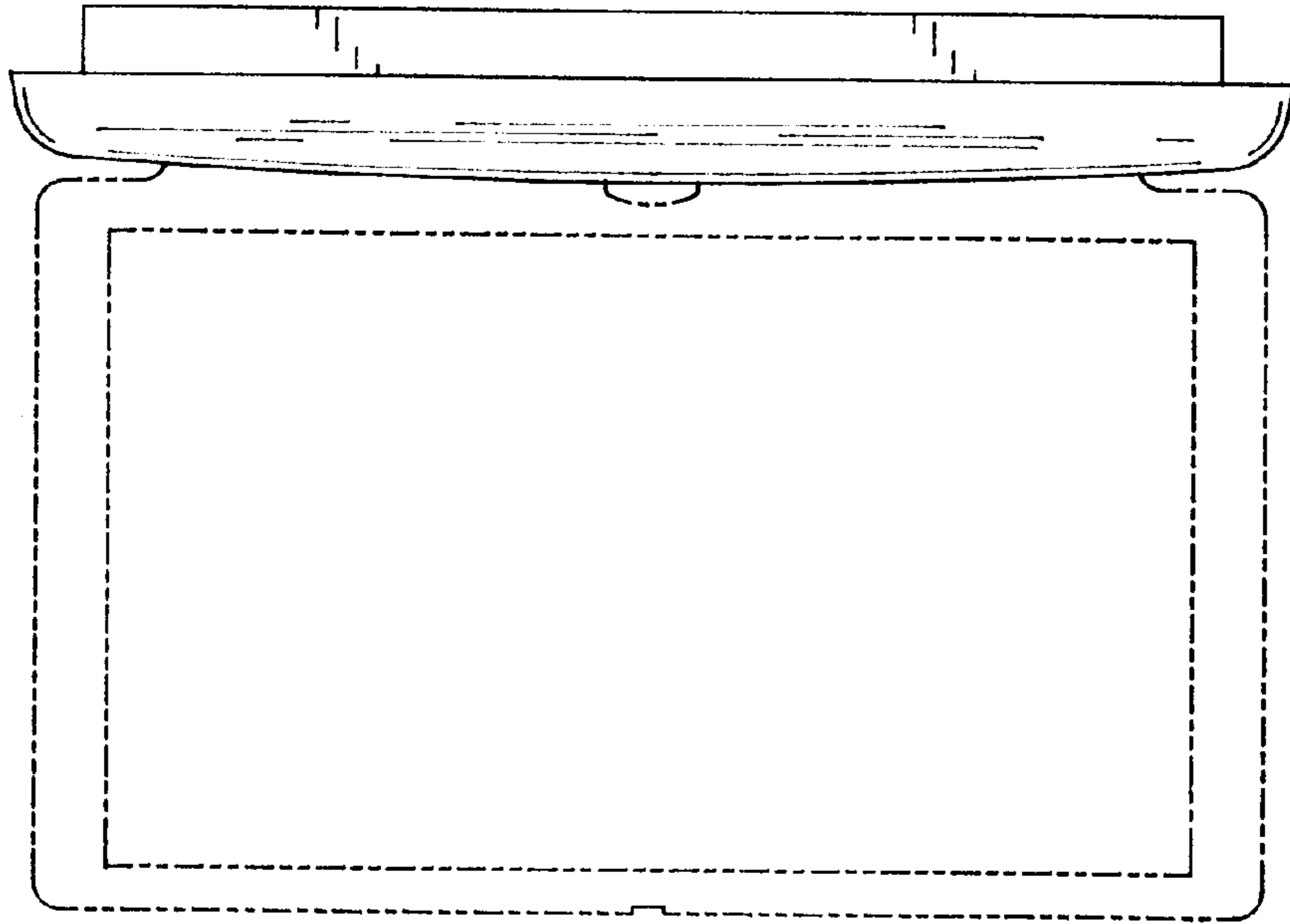


FIG. 3

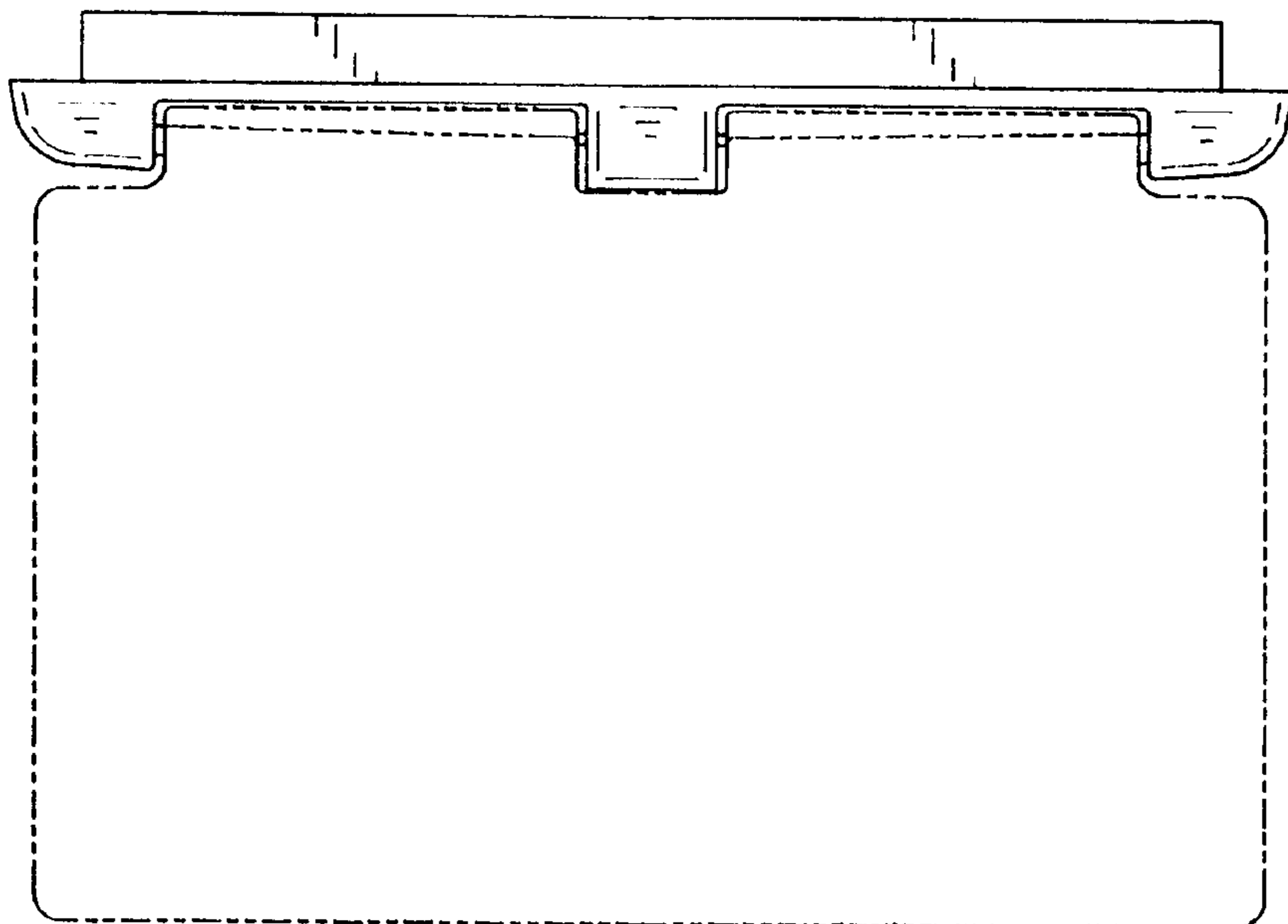


FIG. 4

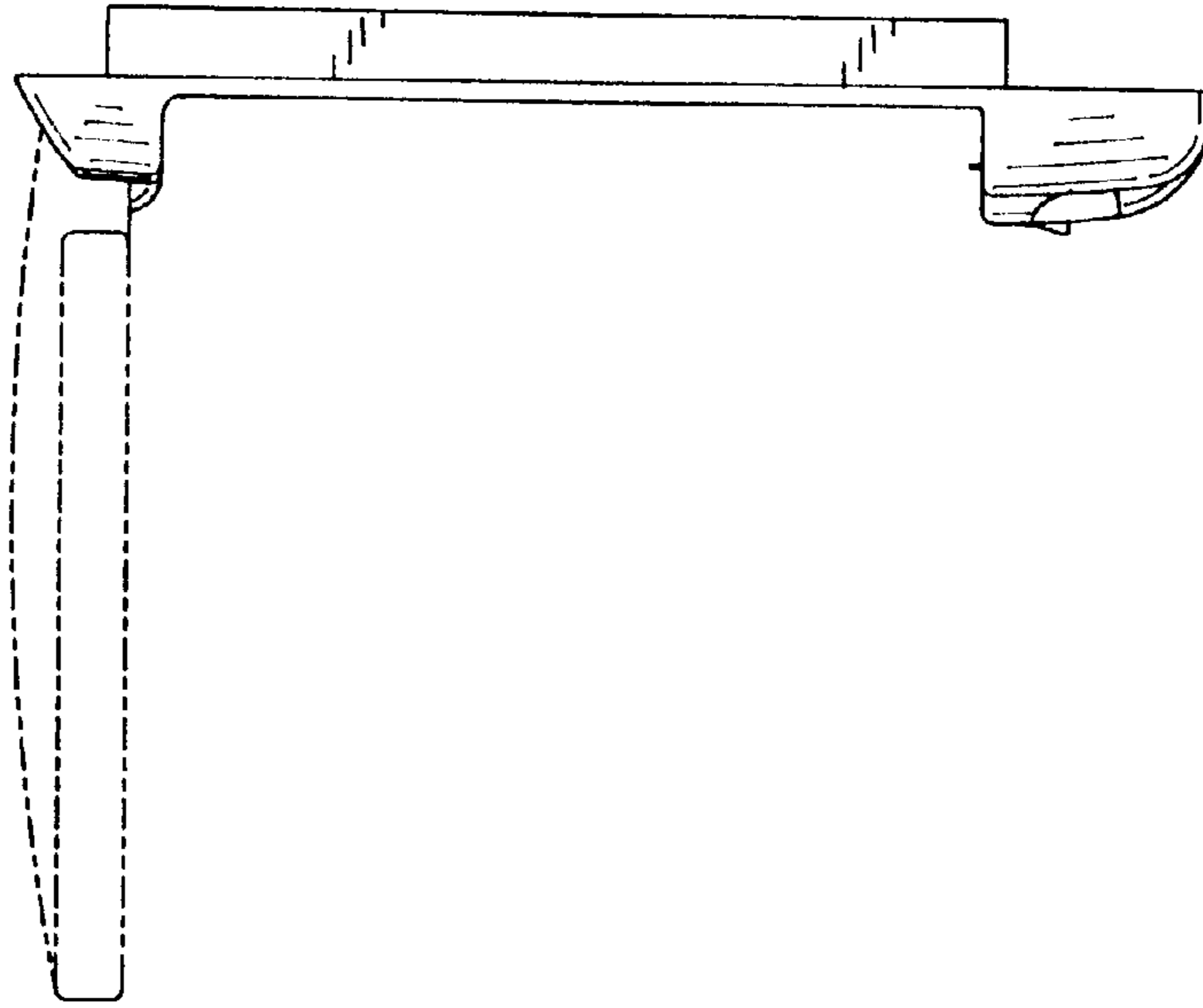


FIG. 5

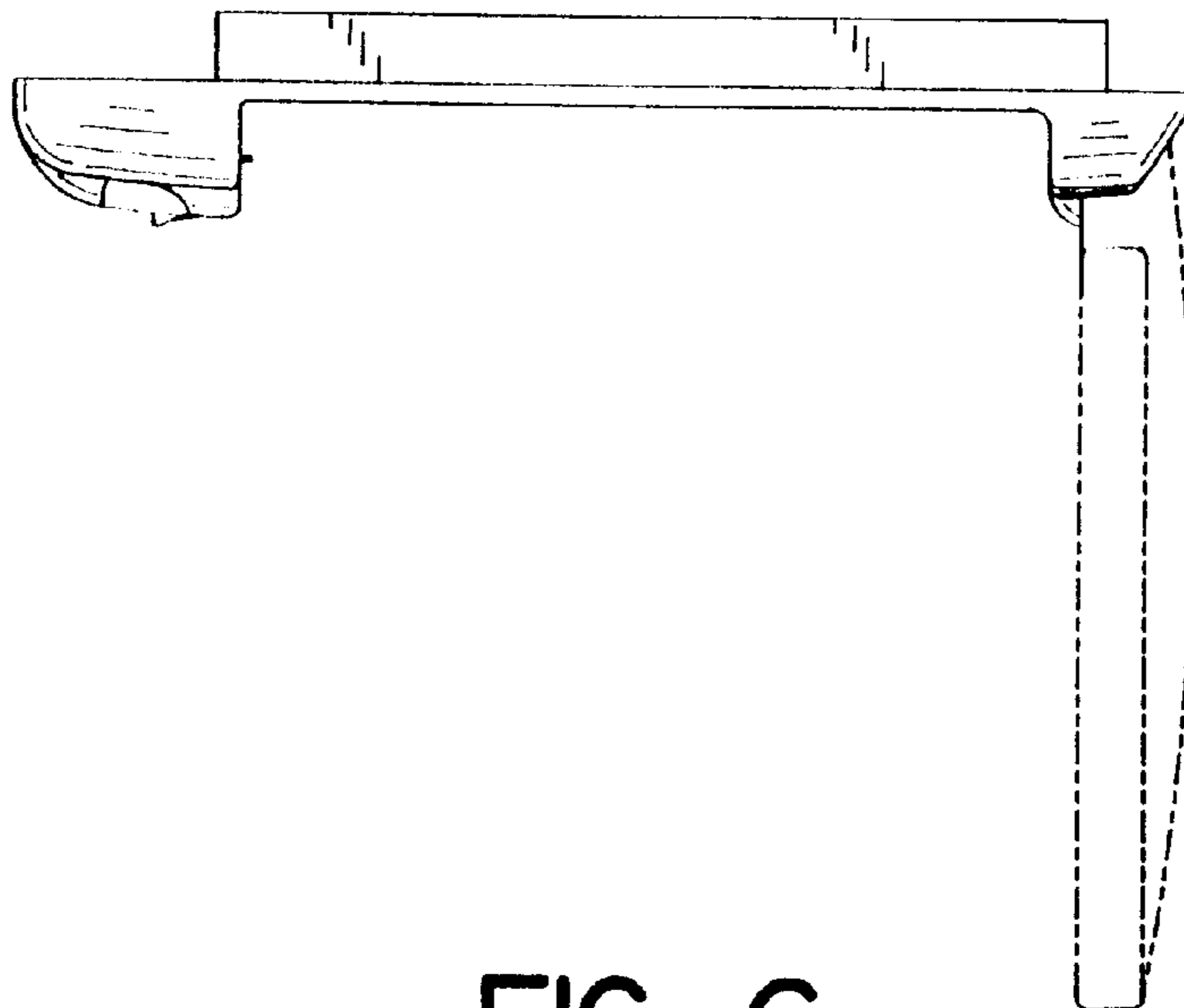


FIG. 6

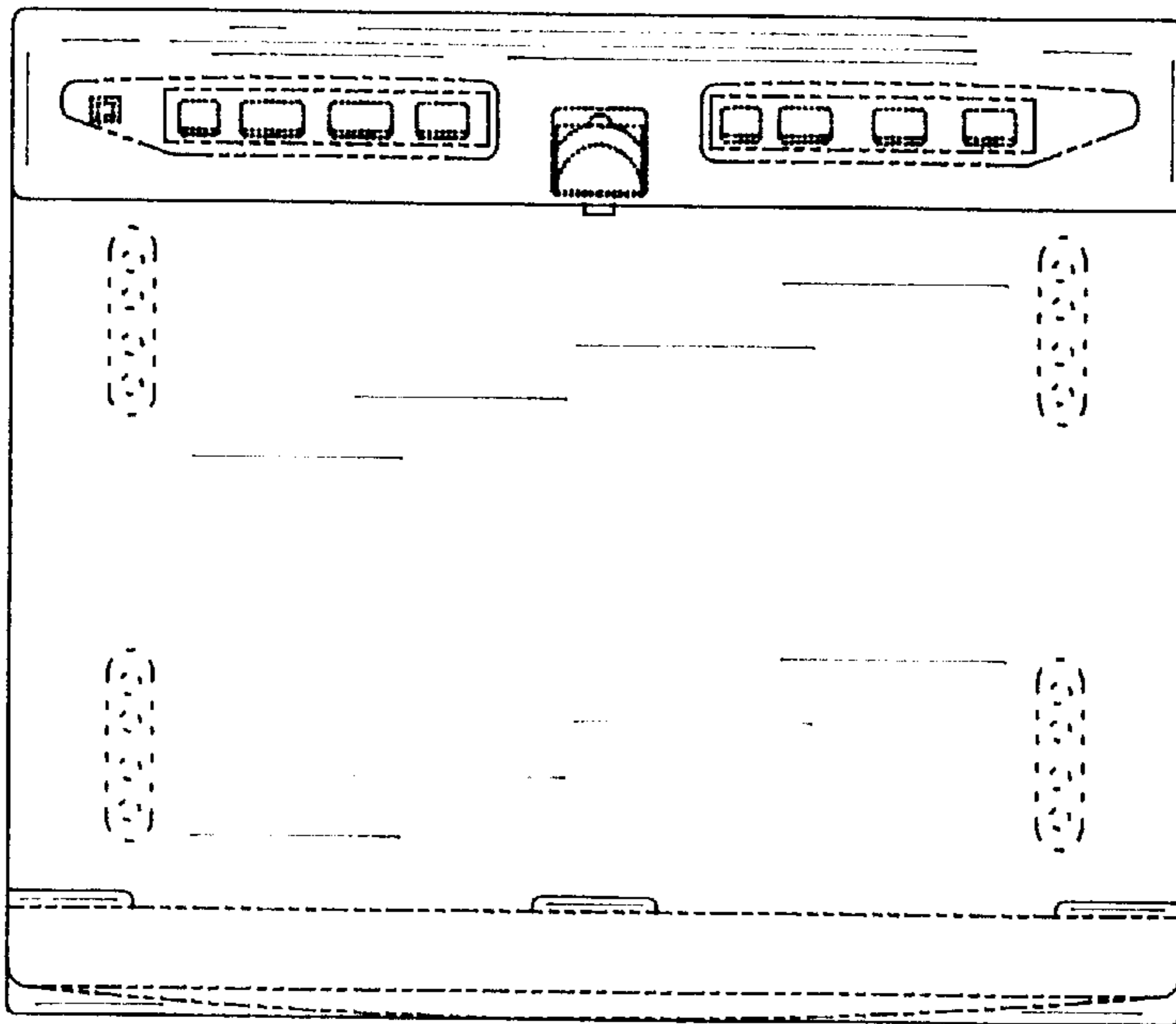


FIG. 7

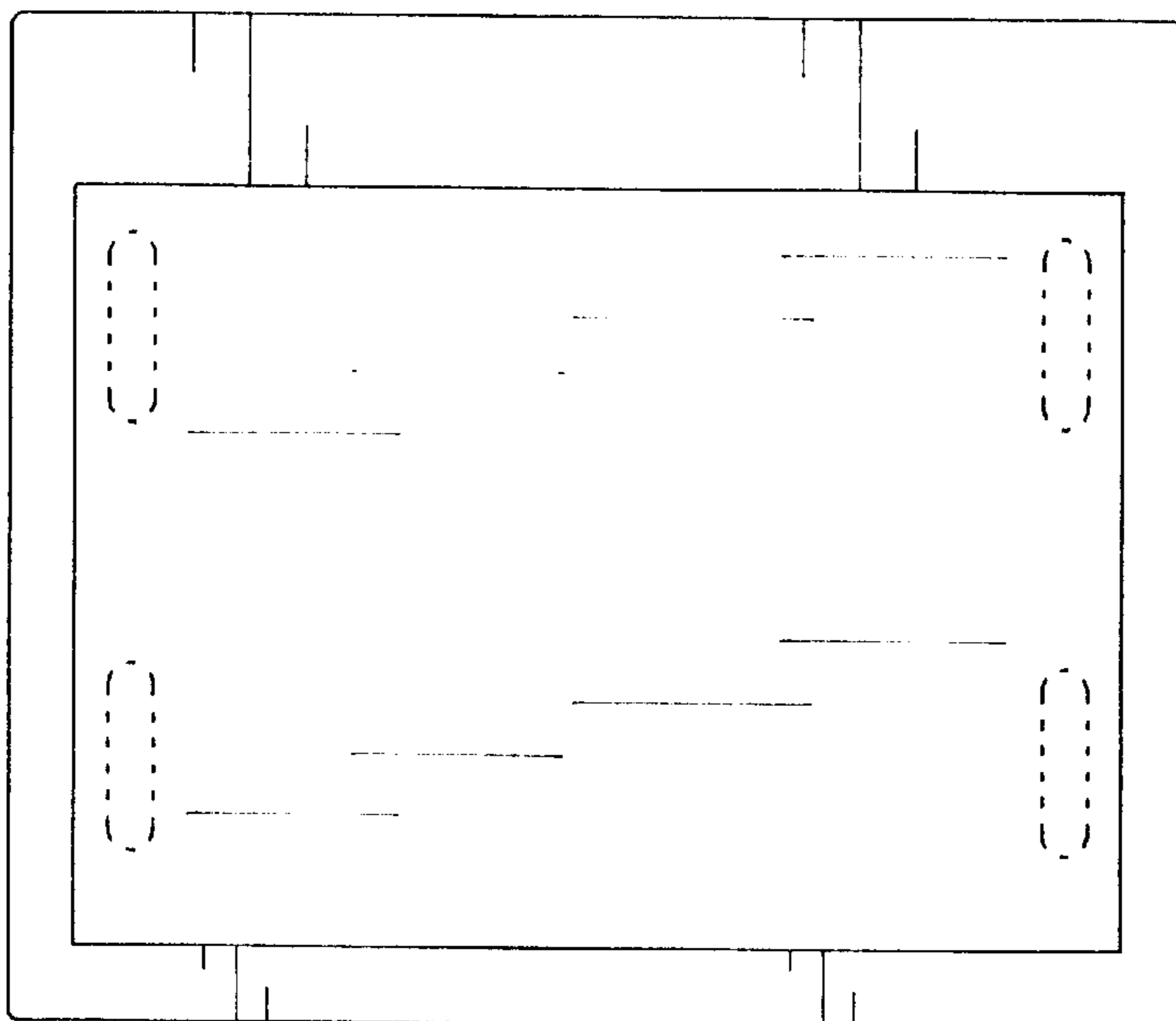


FIG. 8