



US00D457505S

(12) **United States Design Patent**
Benedetti

(10) **Patent No.:** **US D457,505 S**

(45) **Date of Patent:** **** May 21, 2002**

(54) **SPACE SAVER KITCHEN VIDEO/CD/AM/FM STEREO APPARATUS**

(75) **Inventor:** **David Anthony Benedetti,**
Indianapolis, IN (US)

(73) **Assignee:** **Thomson Licensing, S.A.,** Bolougne (FR)

(**) **Term:** **14 Years**

(21) **Appl. No.:** **29/136,999**

(22) **Filed:** **Feb. 9, 2001**

(51) **LOC (7) Cl.** **14-03**

(52) **U.S. Cl.** **D14/131; D14/132; D14/129**

(58) **Field of Search** **D14/126-134,**
D14/239, 371, 374, 375; D12/418; 348/148,
825, 827, 836, 837; 312/7.2; 248/917-924;
296/37.7, 37.8

(56) **References Cited**

U.S. PATENT DOCUMENTS

D366,067 S * 1/1996 Mowrey
D390,219 S * 2/1998 Rosen D14/132

D391,926 S * 3/1998 Brunner et al. D14/132
D395,458 S * 6/1998 Smith et al.
5,775,762 A * 7/1998 Vitito 296/37.7
D407,086 S * 3/1999 Rosen D14/132
D430,545 S * 9/2000 Rosen D14/132
D437,836 S * 2/2001 Rosen D14/132

* cited by examiner

Primary Examiner—Raphael Barkai

(74) *Attorney, Agent, or Firm*—Joseph S. Tripoli; Robert D. Shedd; Frederick A. Wein

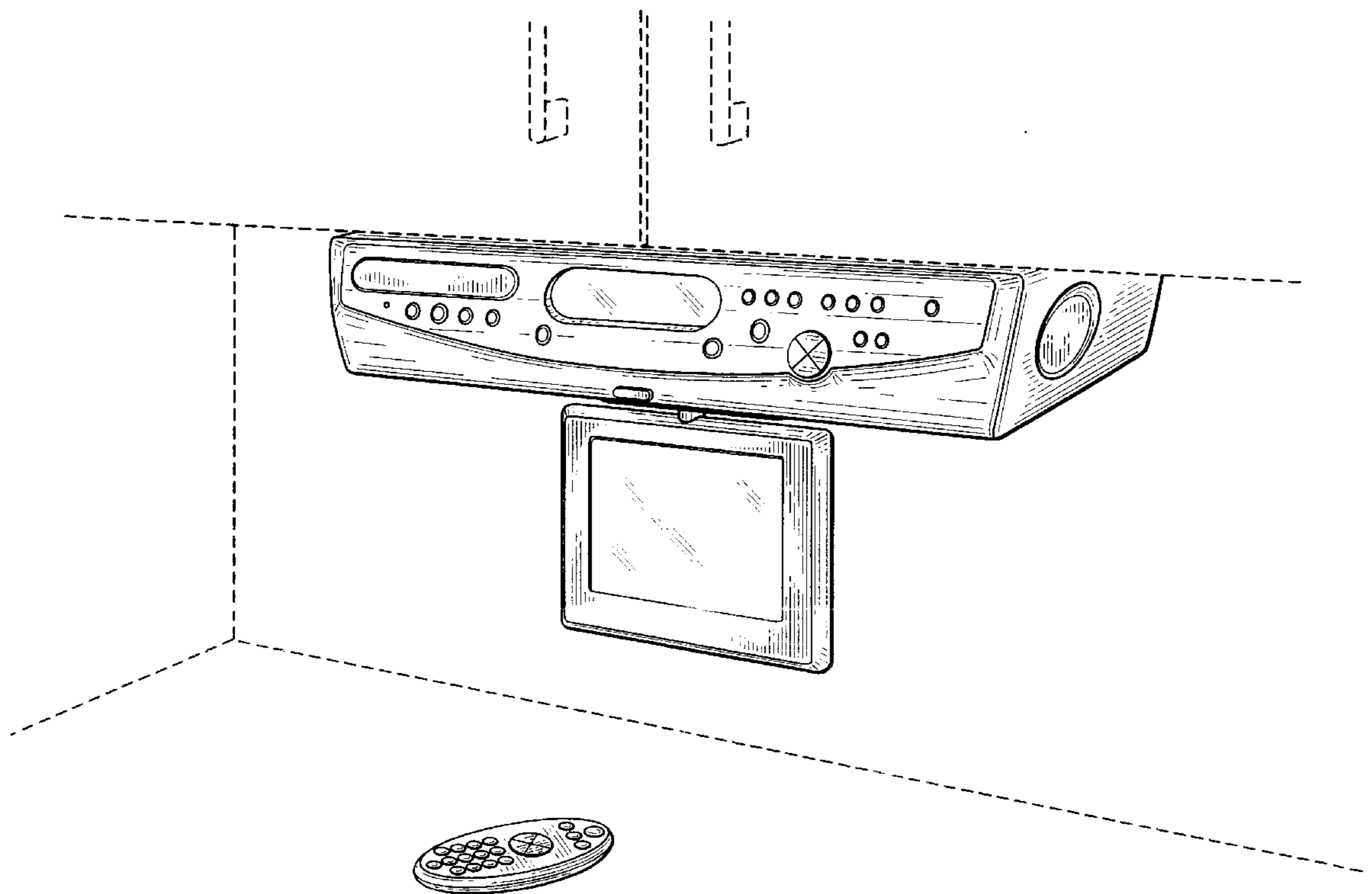
(57) **CLAIM**

An ornamental design of a space saver kitchen video/CD/AM/FM stereo apparatus, substantially as shown.

DESCRIPTION

FIG. 1 is a front right side perspective of a space saver kitchen video/CD/AM/FM/ stereo apparatus showing the detachable remote control with indicia, control buttons and visual display showing my new design; and, FIG. 2 is a front right side perspective view thereof with the remote control and video display in an alternate position.

1 Claim, 2 Drawing Sheets



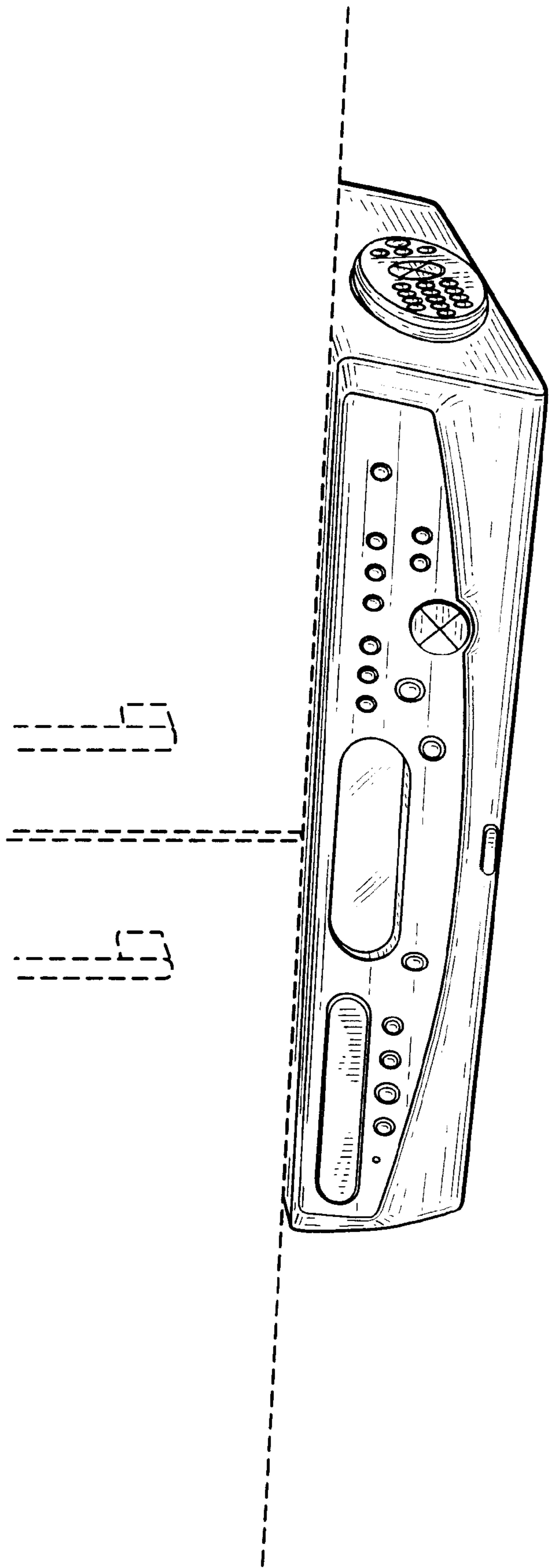


FIG. 1

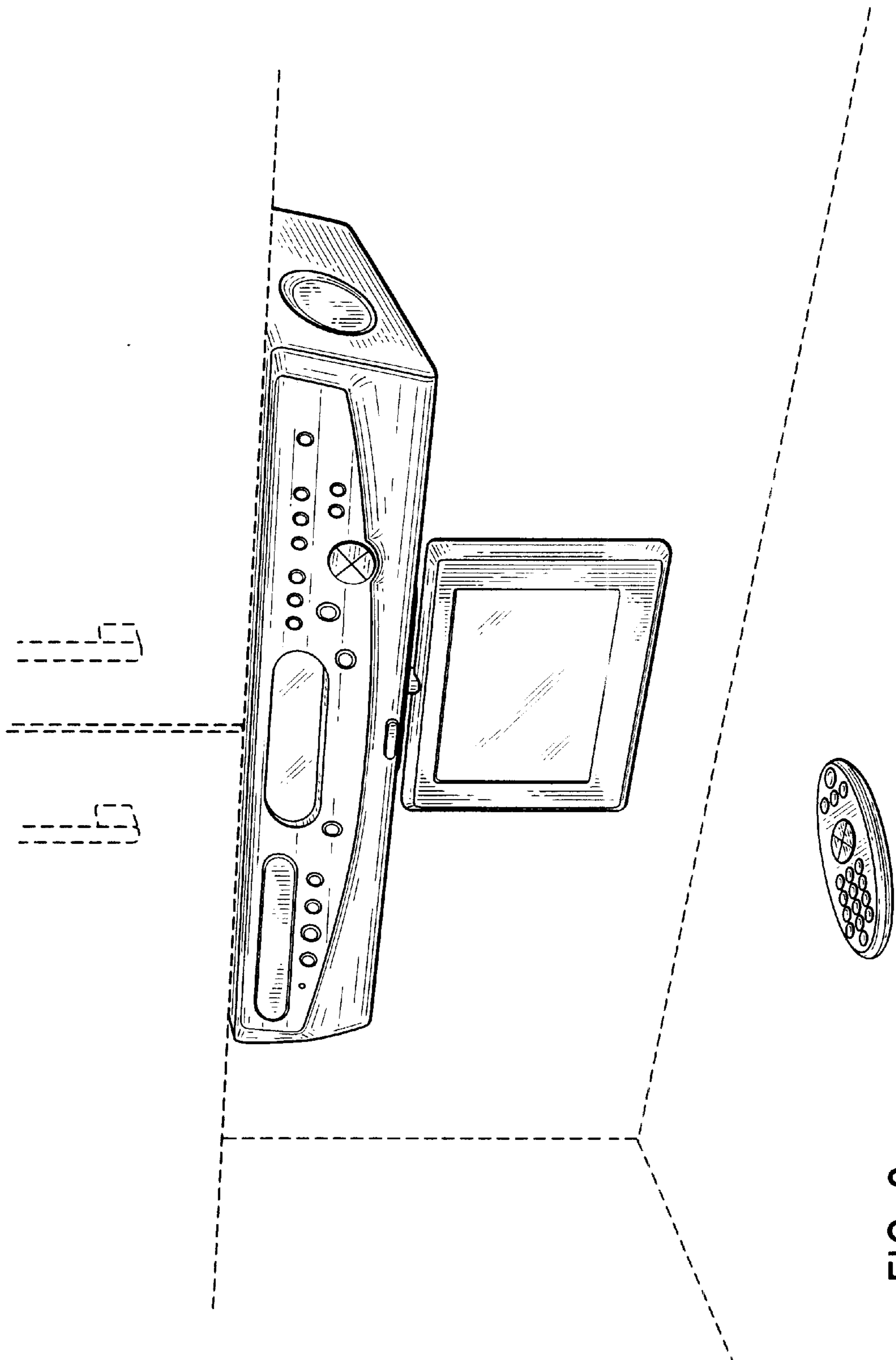


FIG. 2