



US00D457504S

(12) **United States Design Patent**
Hori et al.

(10) **Patent No.:** **US D457,504 S**

(45) **Date of Patent:** **** May 21, 2002**

(54) **TELEVISION RECEIVER FOR AN
AUTOMOBILE**

D419,538 S * 1/2000 Matsuoka D14/376
D425,502 S * 5/2000 Smith D14/126
D434,037 S * 11/2000 Chang D14/375

(75) Inventors: **Tomoo Hori**, Kanagawa; **Morio
Iwasaki**, Tokyo, both of (JP)

FOREIGN PATENT DOCUMENTS

JP 1099476 2/2001

(73) Assignee: **Matsushita Electric Industrial Co.,
Ltd.**, Osaka (JP)

* cited by examiner

(**) Term: **14 Years**

Primary Examiner—Raphael Barkai

(74) *Attorney, Agent, or Firm*—Christensen O'Connor
Johnson Kindness PLLC

(21) Appl. No.: **29/147,738**

(22) Filed: **Sep. 4, 2001**

(57) **CLAIM**

(30) **Foreign Application Priority Data**

The ornamental design for a television receiver for an
automobile, as shown and described.

Mar. 9, 2001 (JP) 2001-006042

DESCRIPTION

(51) **LOC (7) Cl.** **14-03**

FIG. 1 is a perspective view of the top, front and right side
of a television receiver for an automobile showing our new
design;

(52) **U.S. Cl.** **D14/126**

(58) **Field of Search** D14/125-134,
D14/371, 374-382, 239; 312/7.2; 348/836,
838, 148, 825, 827, 837; 248/917-924

FIG. 2 is a top plan view thereof;

FIG. 3 is a front view thereof;

FIG. 4 is a left side view thereof;

FIG. 5 is a right side view thereof;

FIG. 6 is a rear view thereof; and,

FIG. 7 is a bottom view thereof.

(56) **References Cited**

U.S. PATENT DOCUMENTS

D369,790 S * 5/1996 Kim D14/379

D387,041 S * 12/1997 Kohno D14/374

1 Claim, 3 Drawing Sheets

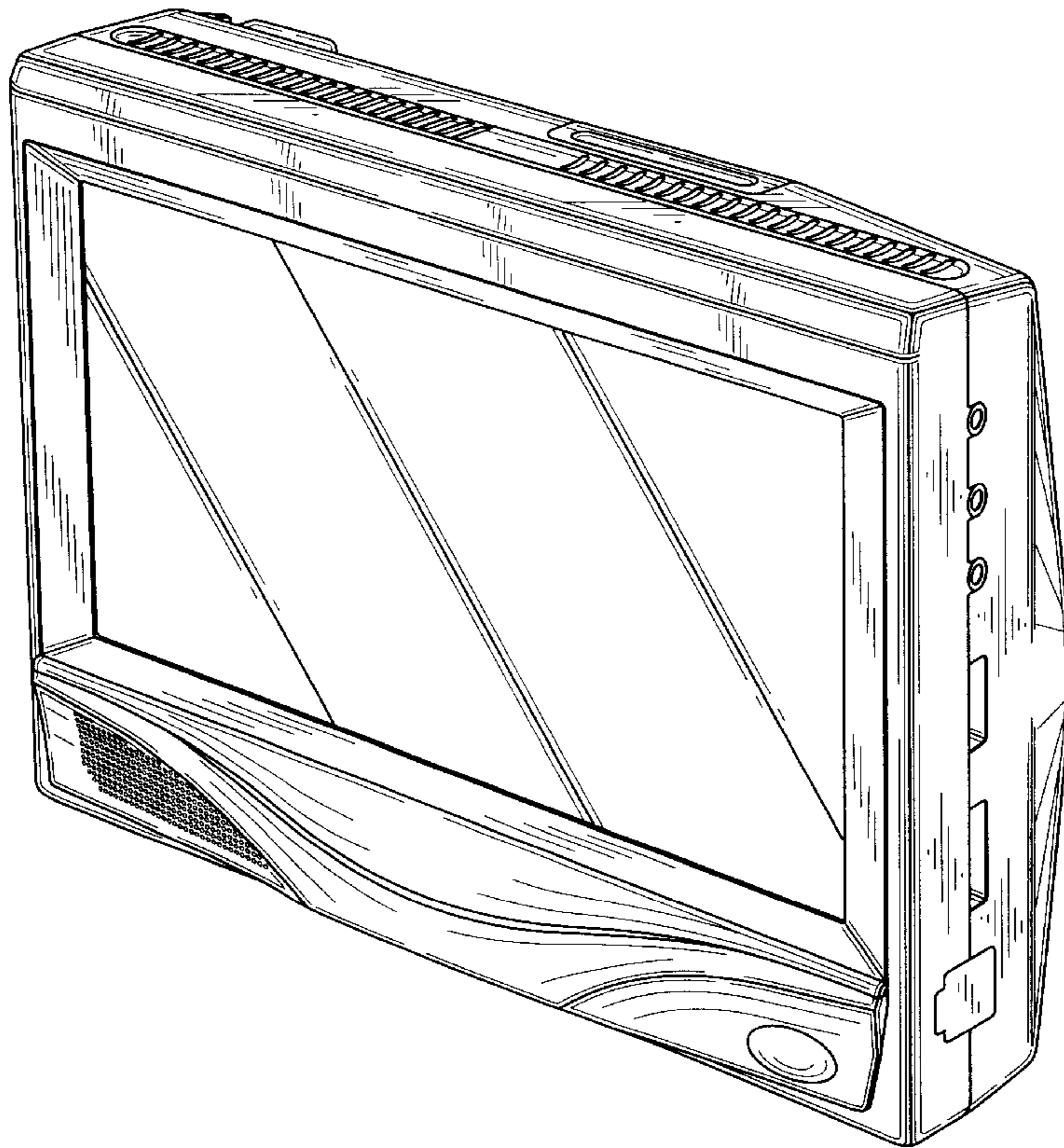


FIG. 1

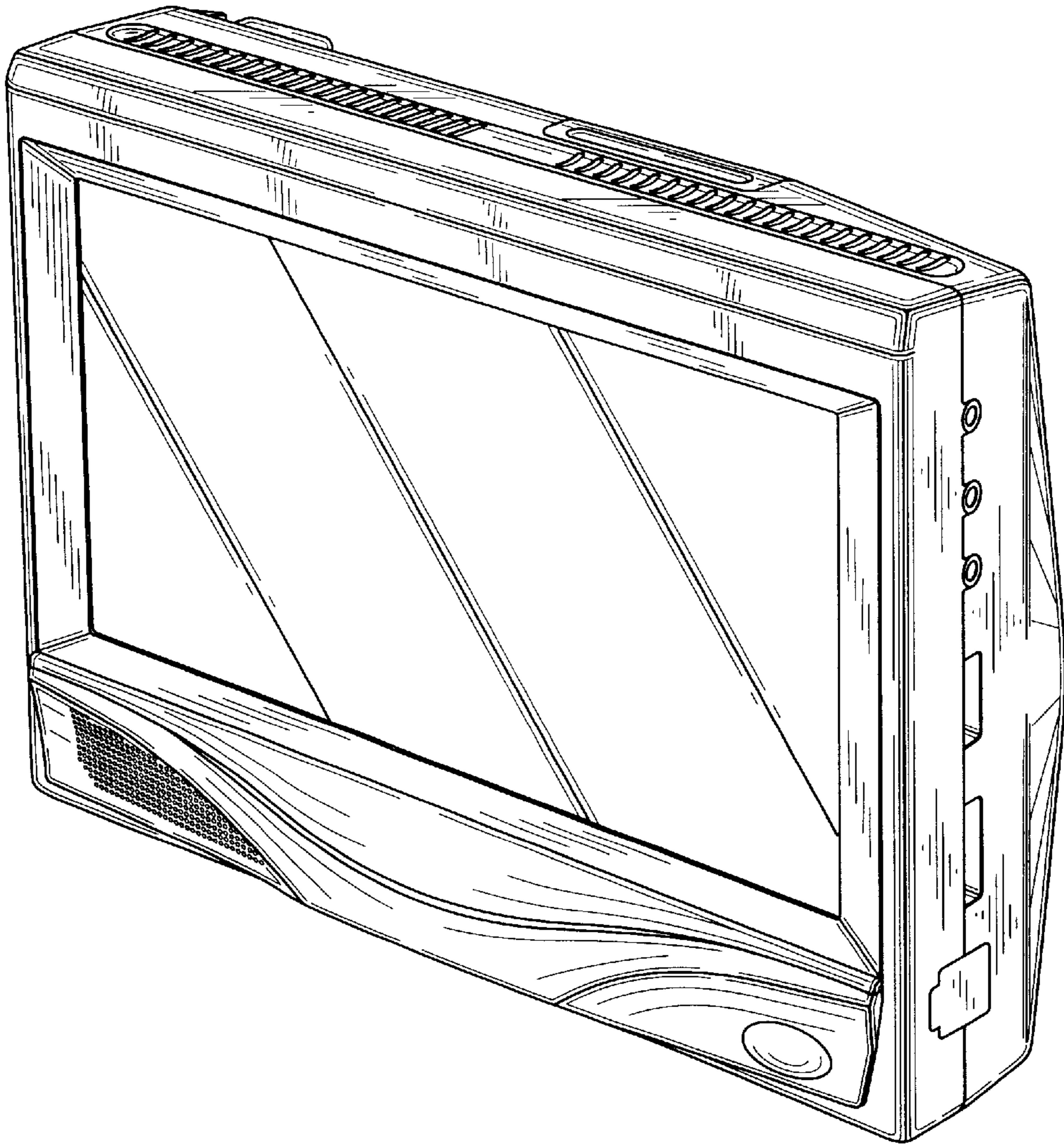


FIG. 2

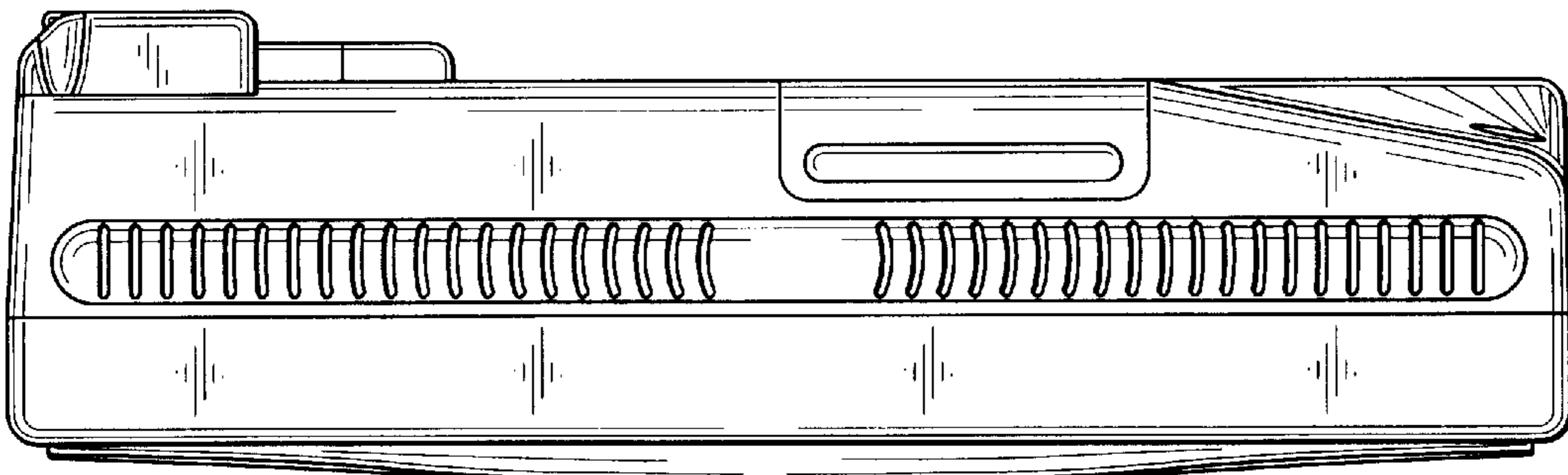


FIG. 3

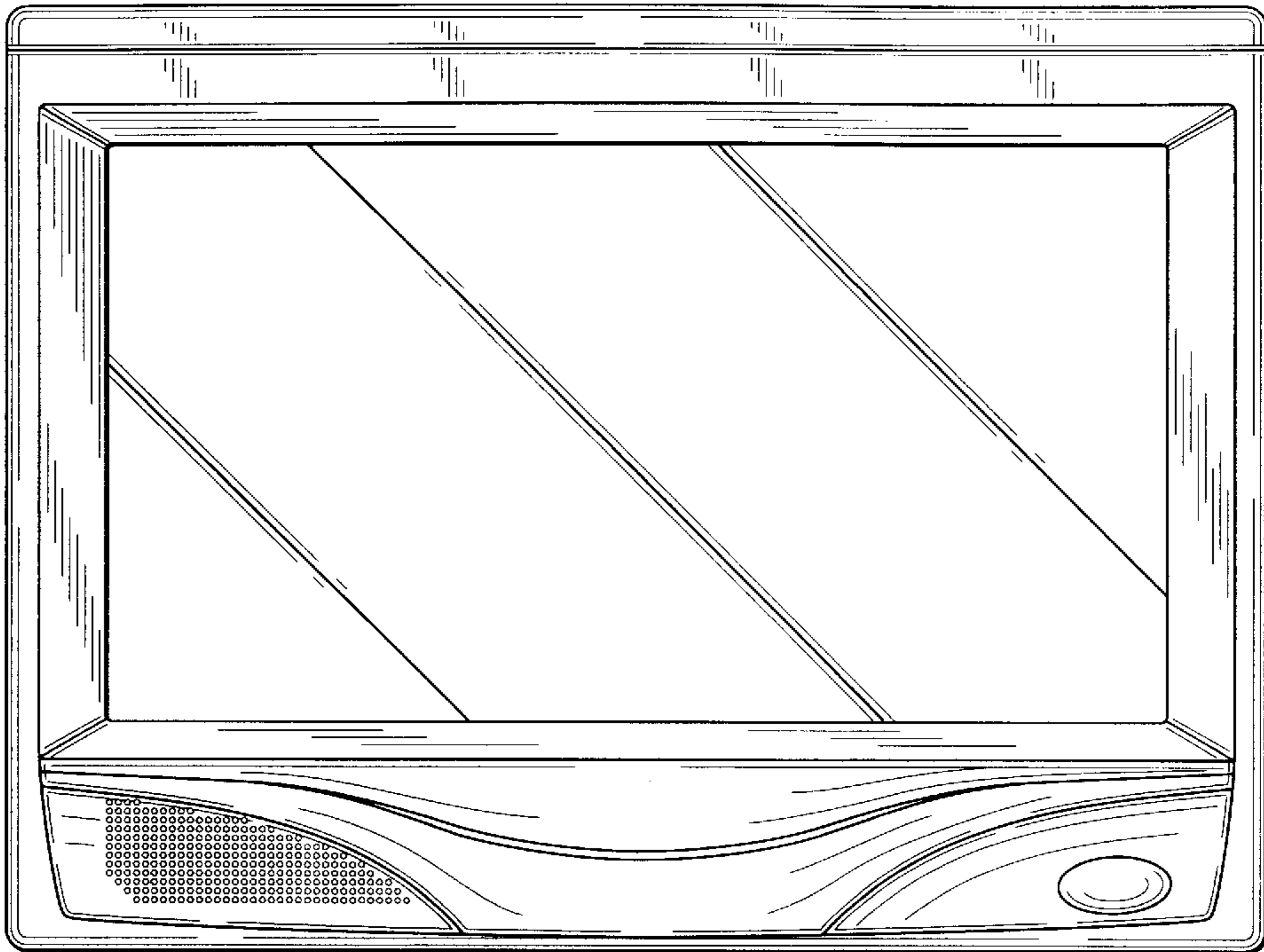


FIG. 4

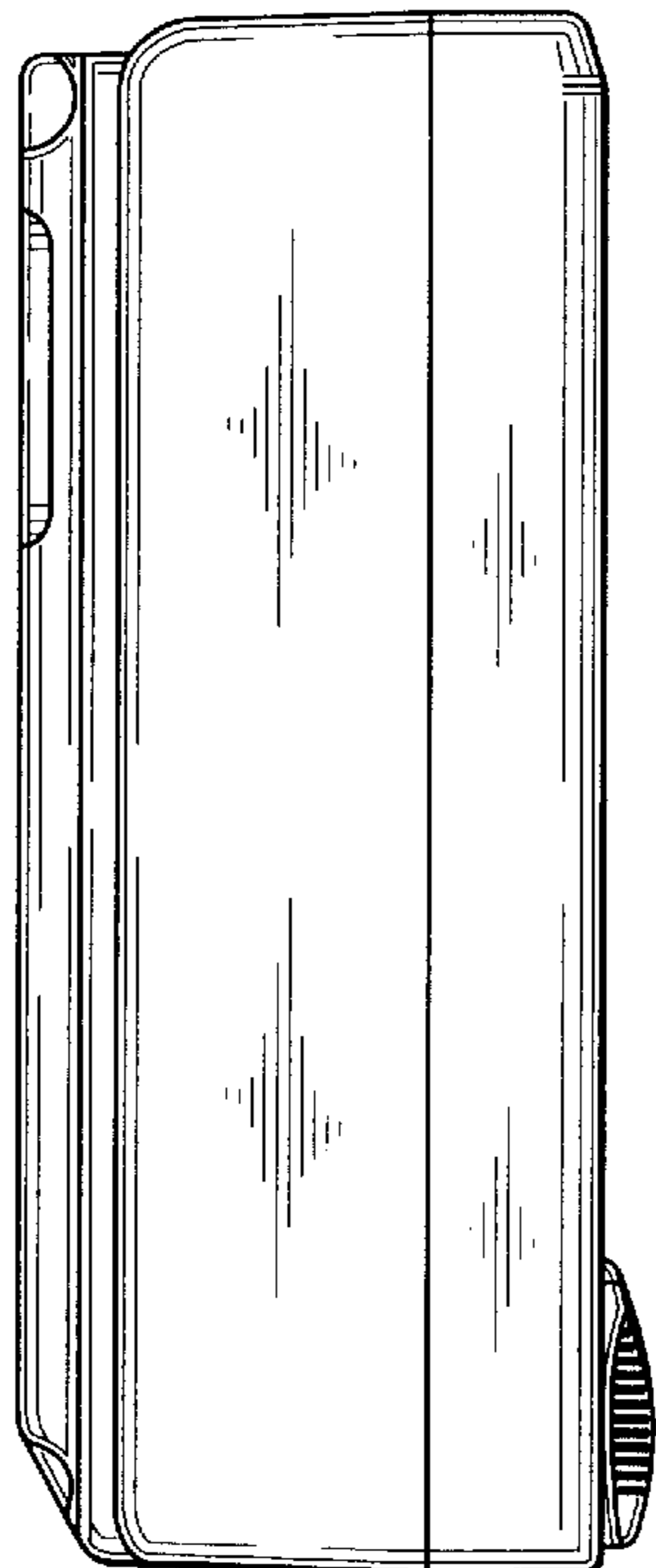


FIG. 5

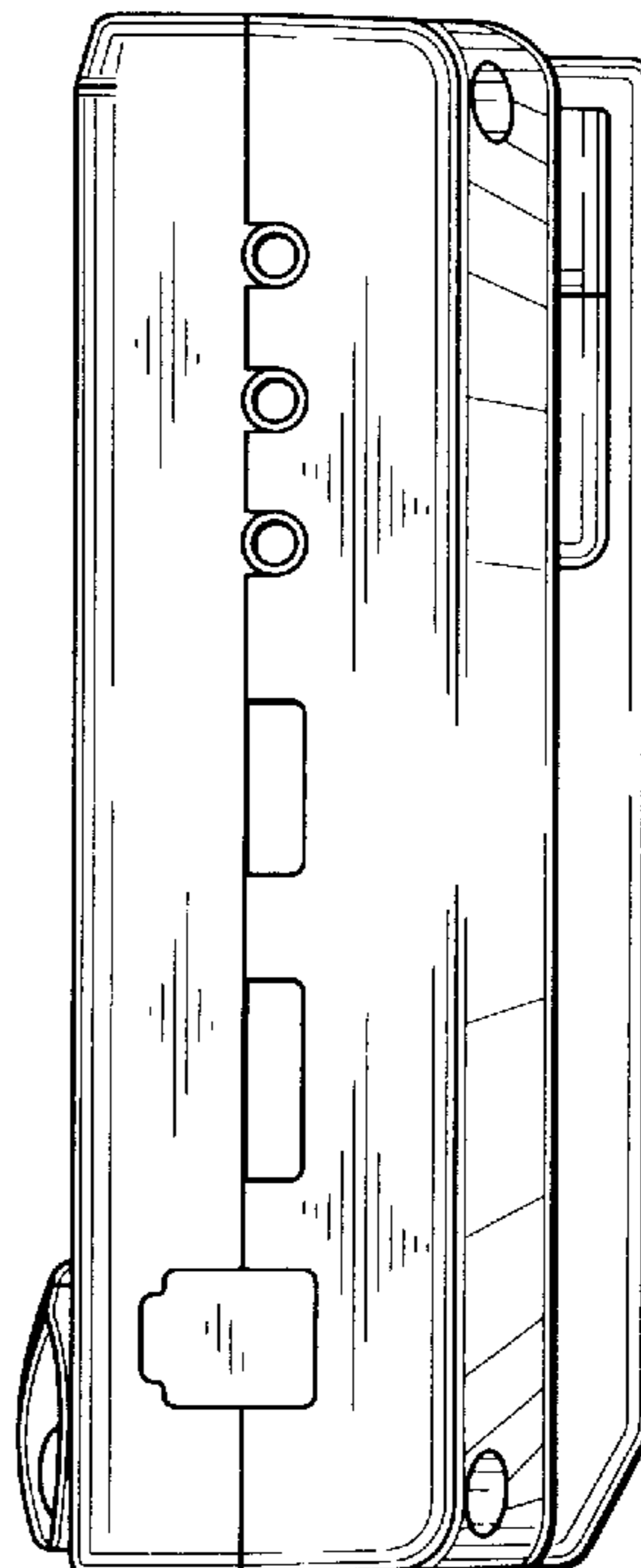


FIG. 6

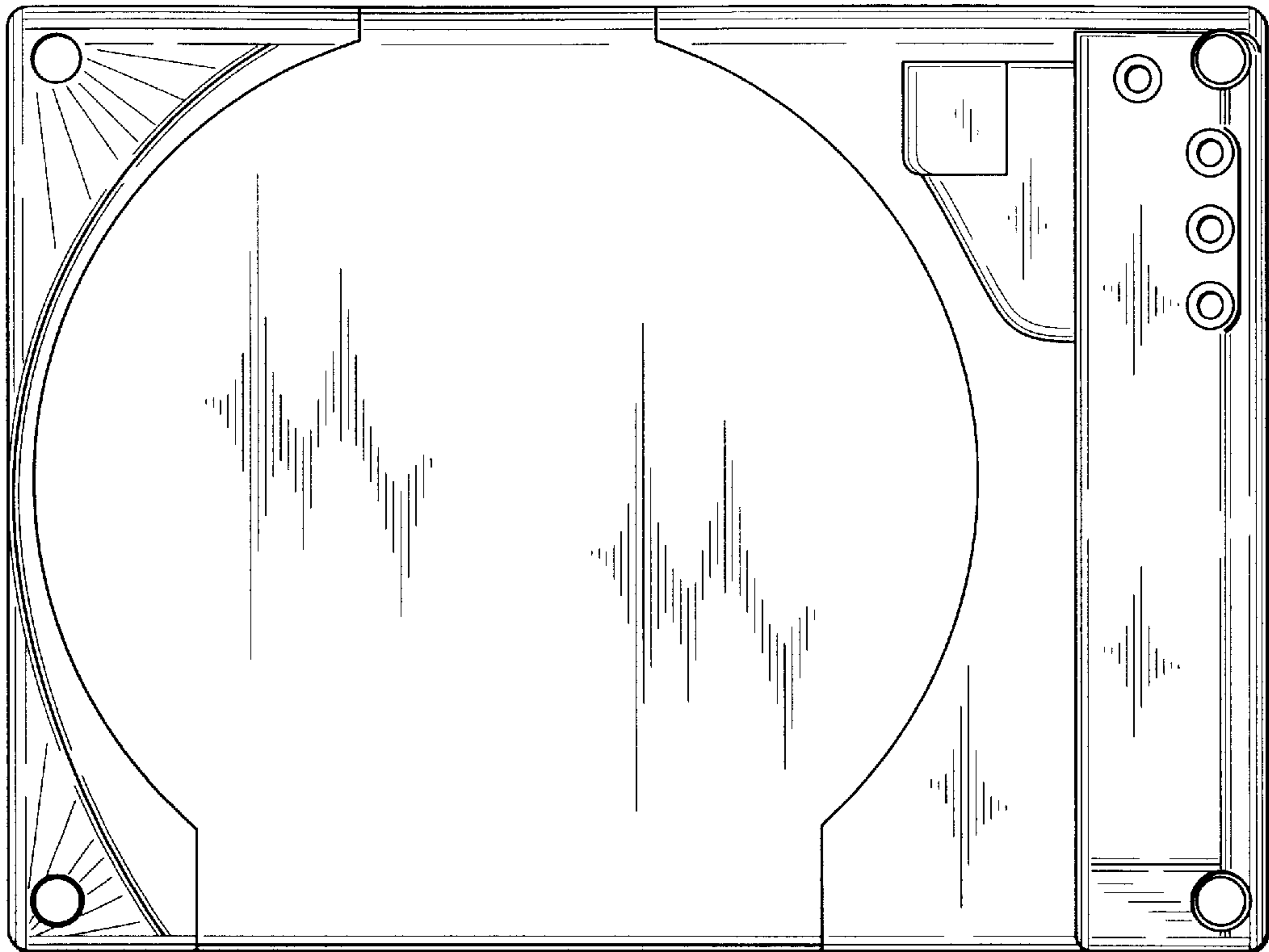


FIG. 7

