



US00D457503S

(12) **United States Design Patent**
Butler, Jr.

(10) **Patent No.:** **US D457,503 S**

(45) **Date of Patent:** **** May 21, 2002**

(54) **WRIST MOUNTED TELEVISION UNIT**

(76) **Inventor:** **Kenneth R Butler, Jr.**, 4639 Coliseum
St. #4, Los Angeles, CA (US) 90016

(**) **Term:** **14 Years**

(21) **Appl. No.:** **29/146,137**

(22) **Filed:** **Aug. 3, 2001**

(51) **LOC (7) Cl.** **14-03**

(52) **U.S. Cl.** **D14/126**

(58) **Field of Search** D14/125-134,
D14/239, 371, 374-382, 344, 159; D21/329;
312/7.2; 248/917-924; 345/156, 104, 133,
168, 173, 87; D10/31; D18/2; D19/59,
60; 348/180, 184, 325, 739

(56) **References Cited**

U.S. PATENT DOCUMENTS

3,908,083 A	9/1975	Hiraki et al.	
4,079,413 A	3/1978	Yamashita	
4,646,157 A	2/1987	Wakai et al.	
D299,463 S	* 1/1989	Herman	D14/344
4,864,658 A	9/1989	Russell et al.	
D308,367 S	6/1990	Nakahara et al.	
4,954,817 A	* 9/1990	Levine	345/156
D356,079 S	3/1995	Oba	

D359,700 S	* 6/1995	Abrams	D14/159
D365,550 S	* 12/1995	Houlihan	D14/344
D405,781 S	* 2/1999	Renk	D21/329
D408,795 S	* 4/1999	Wells	D14/344
D448,010 S	* 9/2001	Ogura	D14/126

* cited by examiner

Primary Examiner—Raphael Barkai

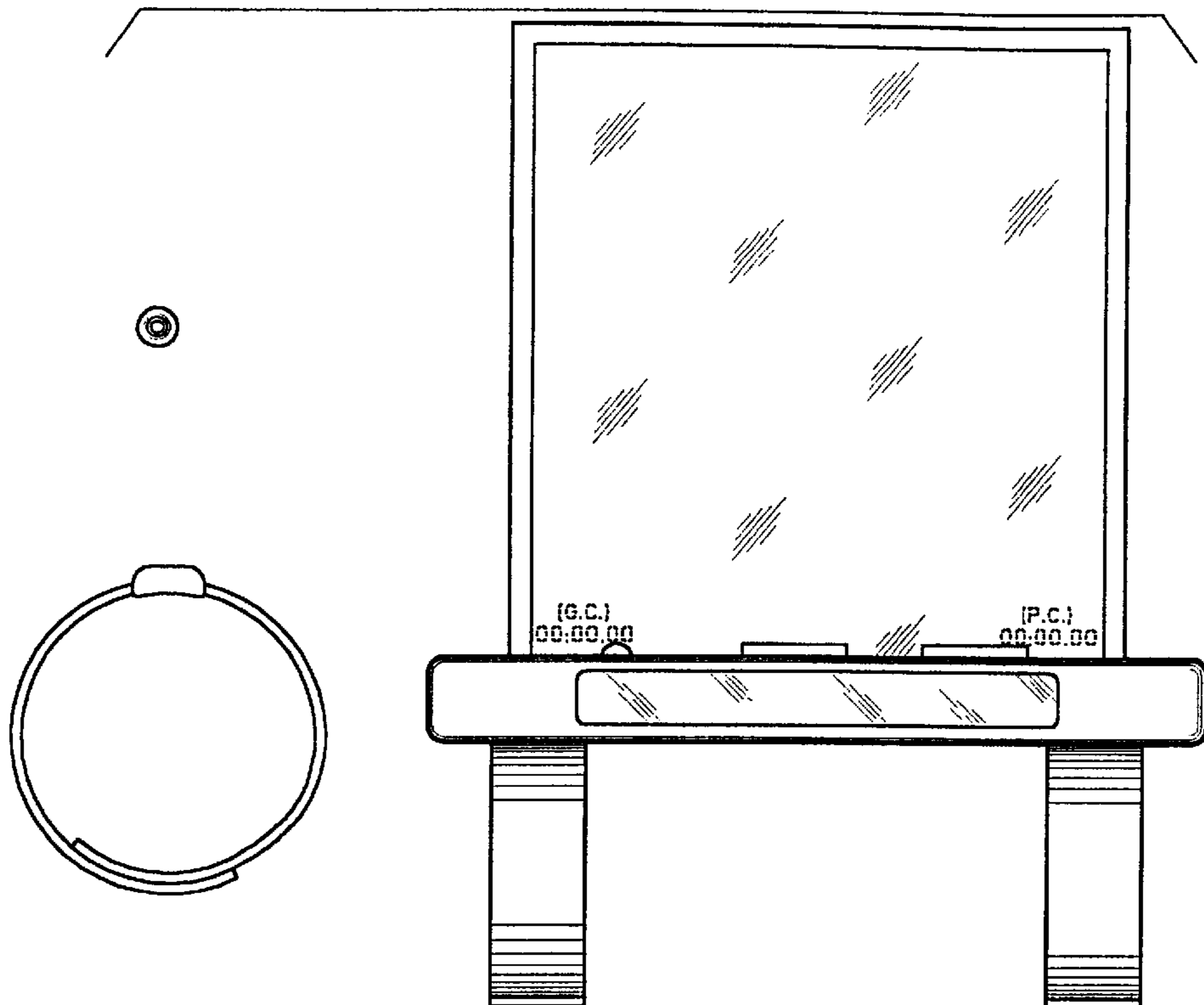
(57) **CLAIM**

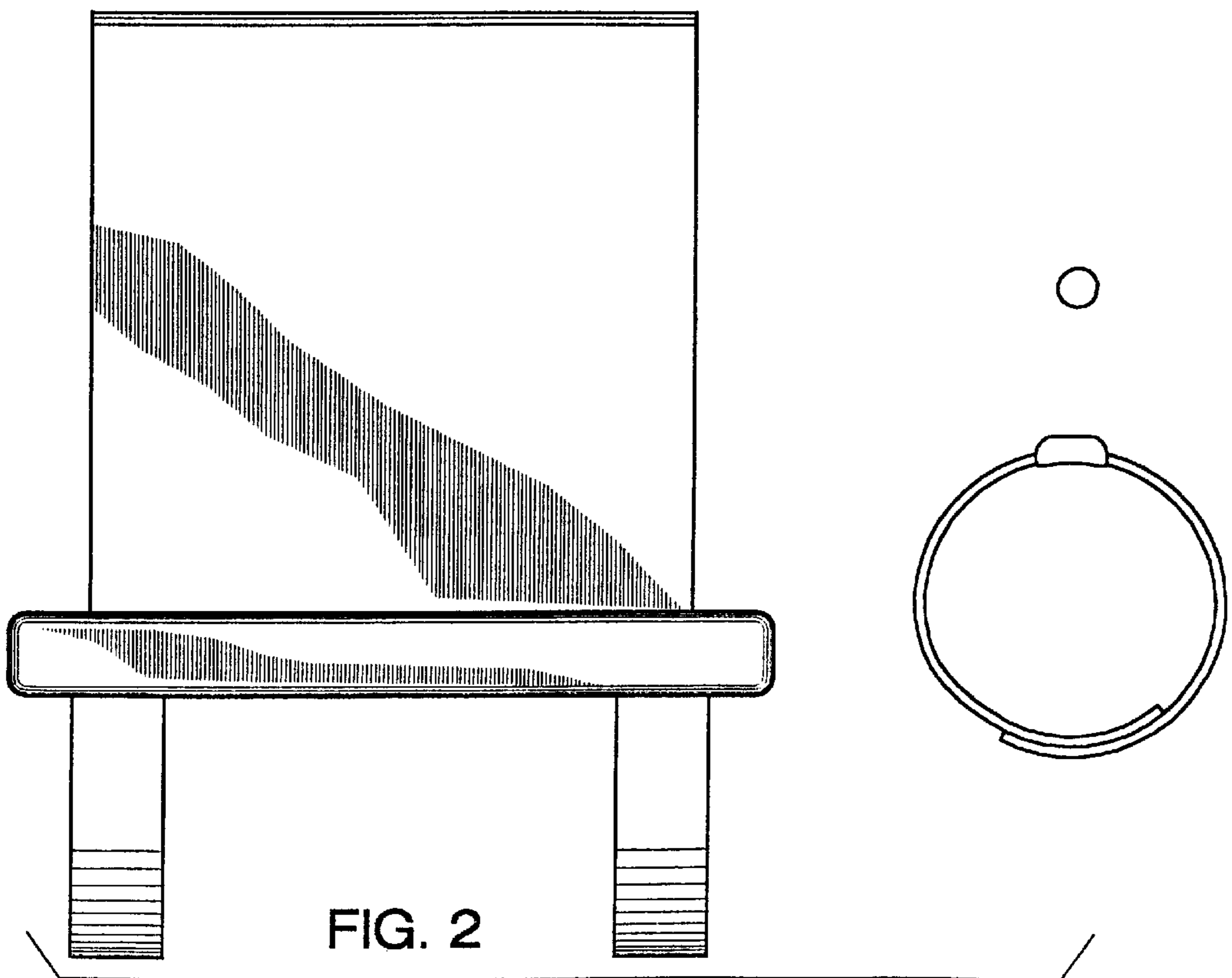
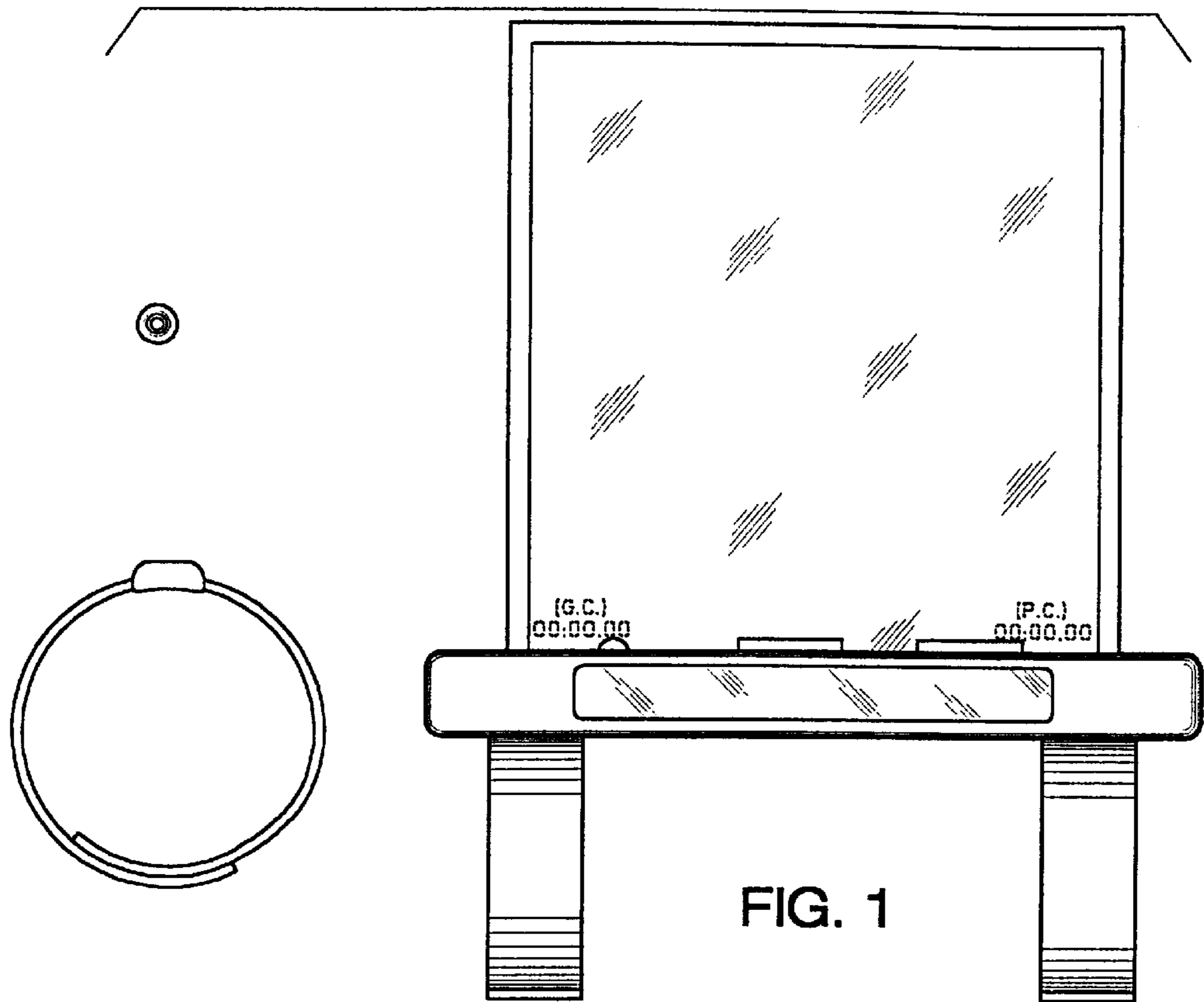
The ornamental design for a wrist mounted television unit, as shown.

DESCRIPTION

FIG. 1 is a top plan view of the wrist mounted television unit of the present invention;
 FIG. 2 is a bottom plan view of the wrist mounted television unit of FIG. 1;
 FIG. 3 is a right side elevational view of the wrist mounted television unit of FIG. 1;
 FIG. 4 is a left side elevational view of the wrist mounted television unit of FIG. 1;
 FIG. 5 is a front elevational view of the wrist mounted television unit of FIG. 1; and,
 FIG. 6 is a rear elevational view of the wrist mounted television unit of FIG. 1.

1 Claim, 3 Drawing Sheets





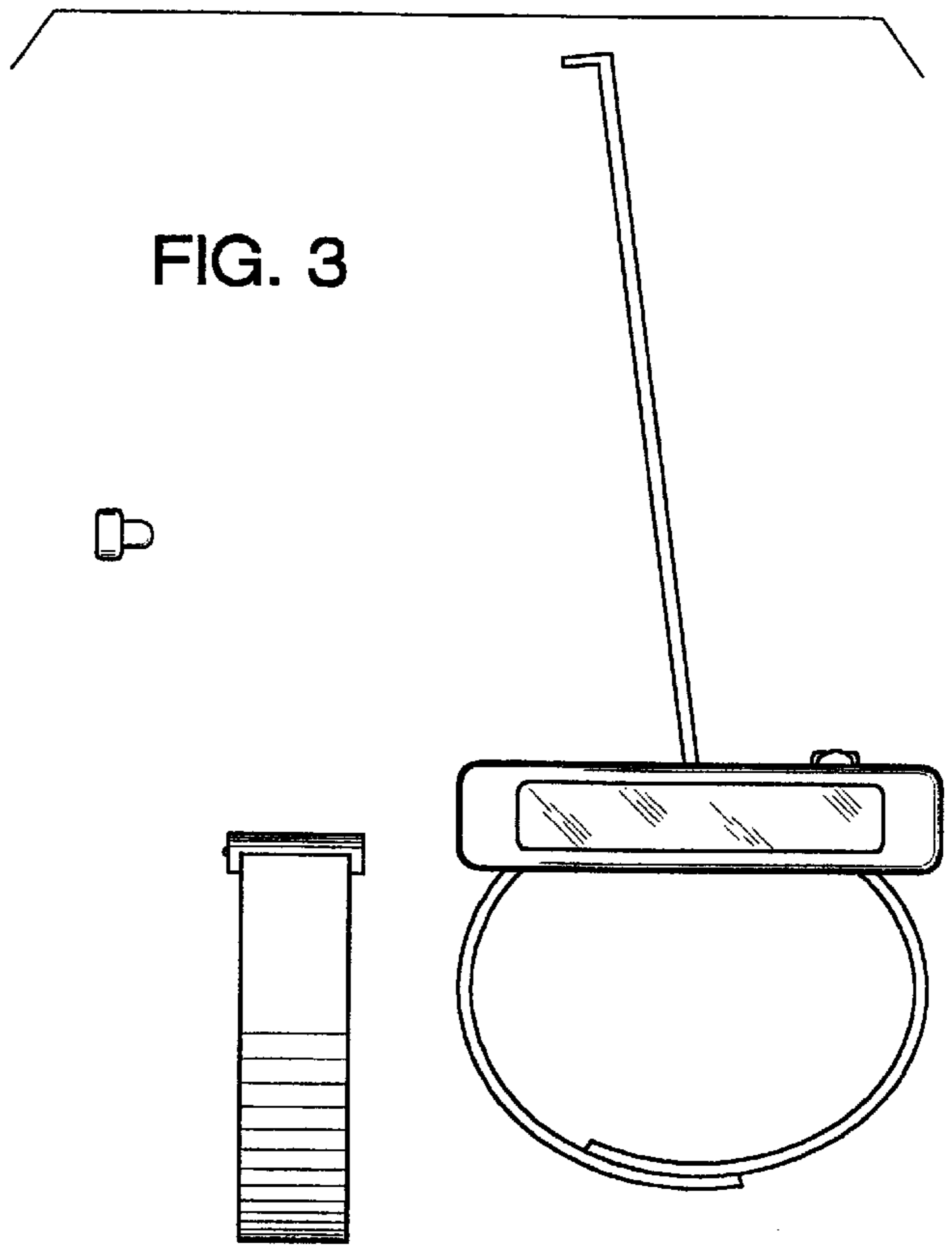
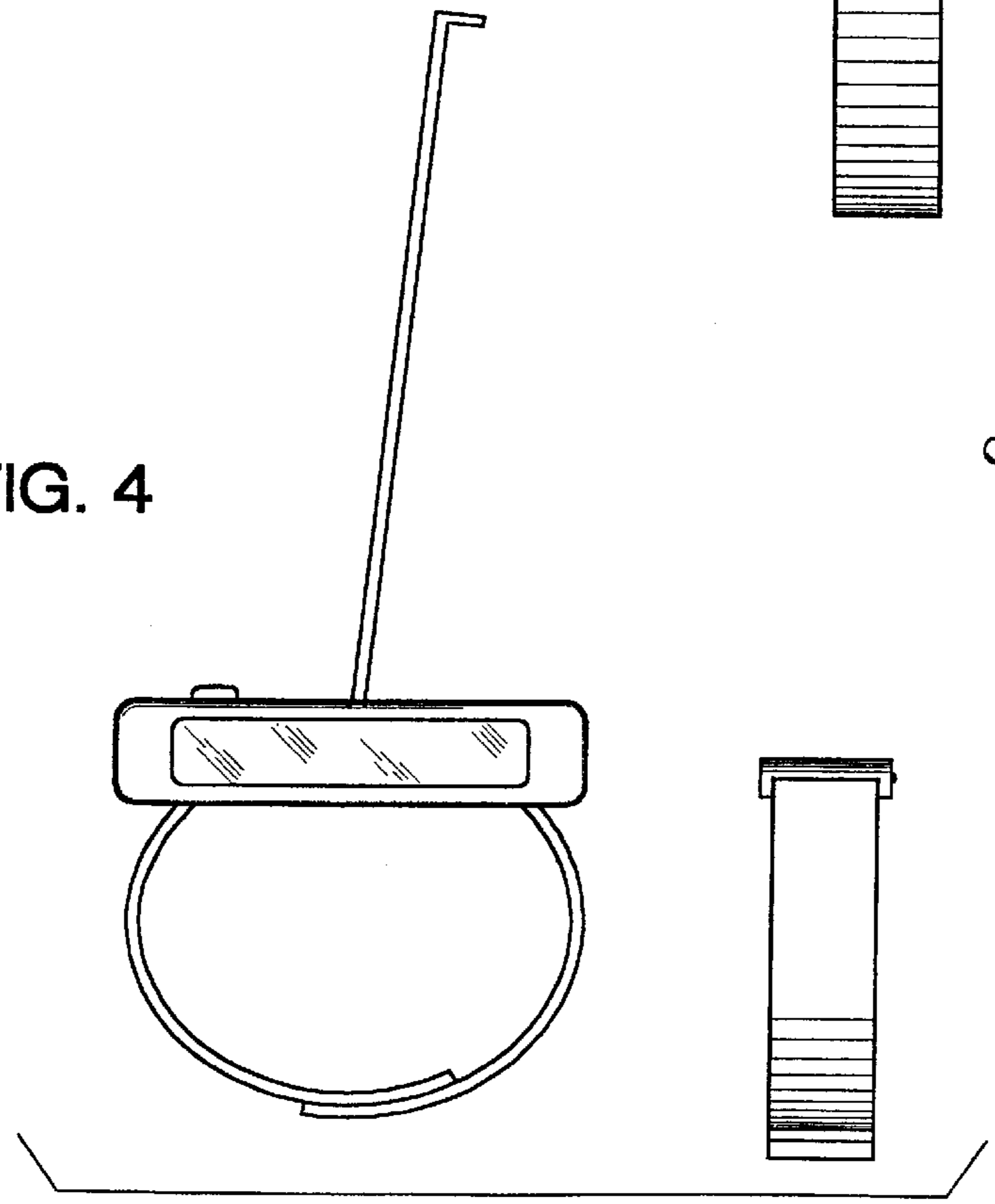


FIG. 4



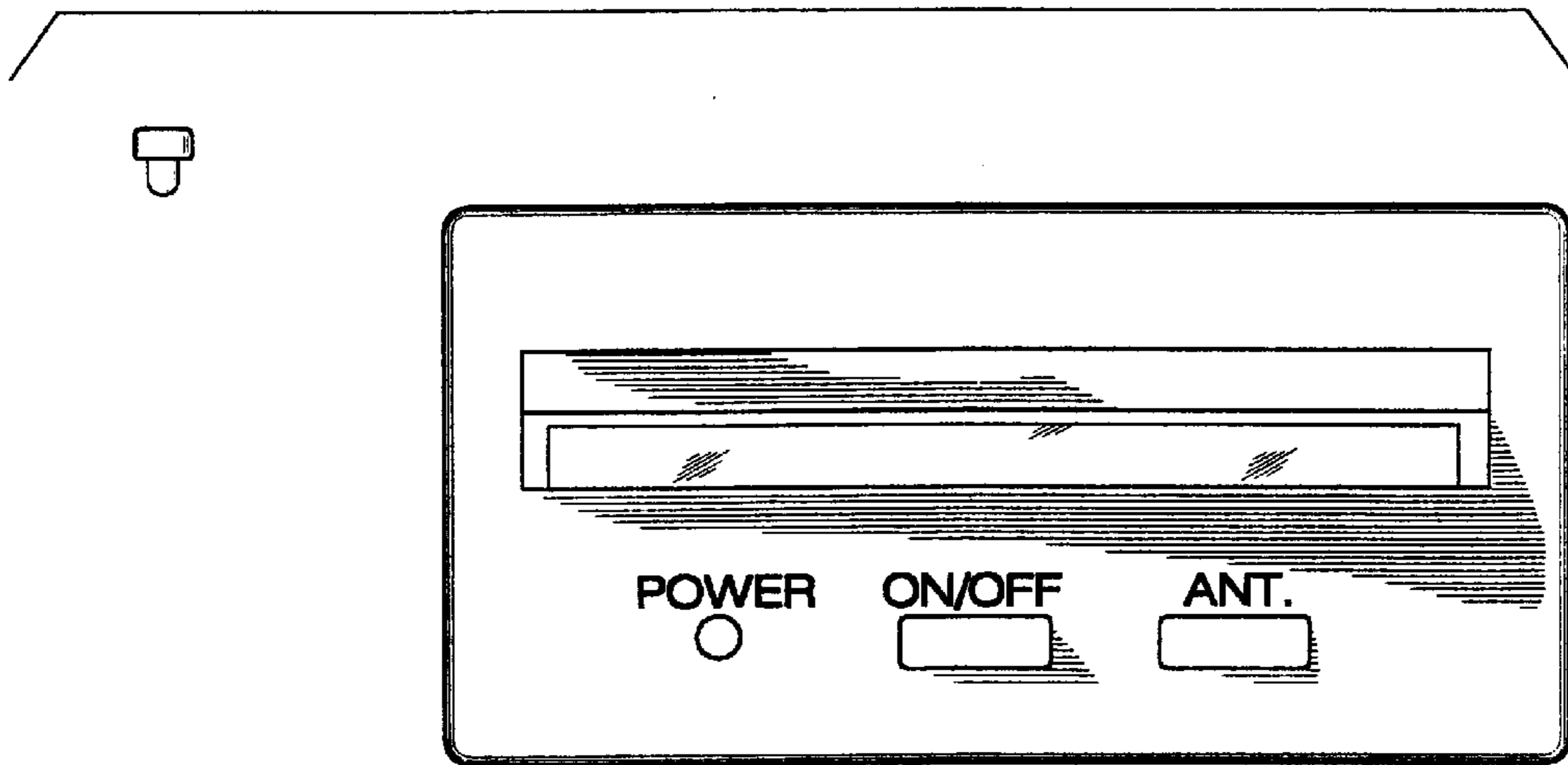


FIG. 5

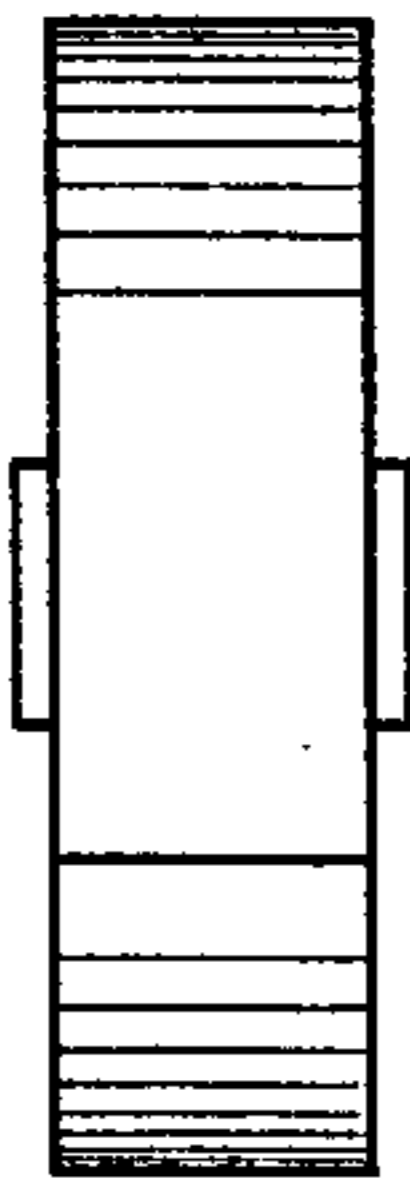
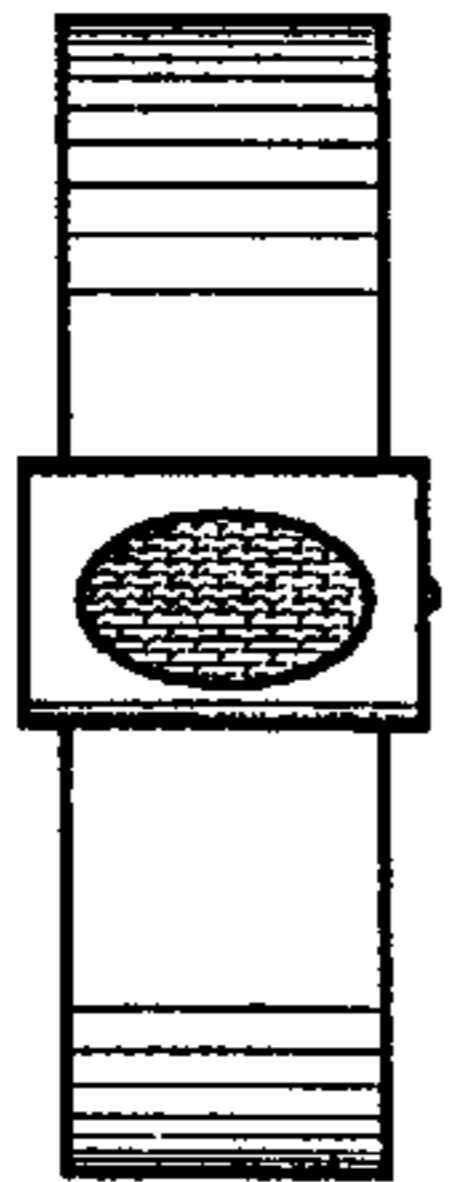


FIG. 6

