



US00D457499S

(12) **United States Design Patent**
Wingo et al.

(10) **Patent No.:** **US D457,499 S**

(45) **Date of Patent:** **** May 21, 2002**

(54) **INSULATED BOOT FOR HANDLING ELECTRICAL CONDUCTORS**

(75) Inventors: **H. Bruce Wingo**, Dickson, TN (US);
Danny R. Wingo, Marshall, AR (US)

(73) Assignee: **Wingo & Wingo Inc.**, Marshall, AK (US)

(**) Term: **14 Years**

(21) Appl. No.: **29/133,026**

(22) Filed: **Nov. 21, 2000**

(51) **LOC (7) Cl.** **13-03**

(52) **U.S. Cl.** **D13/156**

(58) **Field of Search** D13/156; 439/750;
174/87, 138 F, 74 A, 74 R

(56) **References Cited**

U.S. PATENT DOCUMENTS

2,122,252 A	6/1938	Hayes	
2,870,239 A	1/1959	Ustin	
2,925,461 A	2/1960	Aderson	
3,019,284 A	1/1962	Matthysse	
3,495,026 A	2/1970	Gillemot	
3,504,099 A	3/1970	Beinhaur	
3,902,005 A *	8/1975	Norden	174/138 F
4,504,699 A	3/1985	Dones	

4,751,350 A	6/1988	Eaton	
4,814,028 A	3/1989	Sawaki	
5,132,494 A	7/1992	Burton	
5,149,916 A	9/1992	Baker	
5,331,113 A	7/1994	Soni	
5,557,069 A *	9/1996	Whitehead et al.	174/138 F
5,622,642 A	4/1997	Edwards	
5,895,890 A	4/1999	Uchiyama	
6,025,559 A *	2/2000	Simmons	174/87
RE37,340 E *	8/2001	King	174/87

* cited by examiner

Primary Examiner—Jennifer Rivard

(74) *Attorney, Agent, or Firm*—Stephen D. Carver

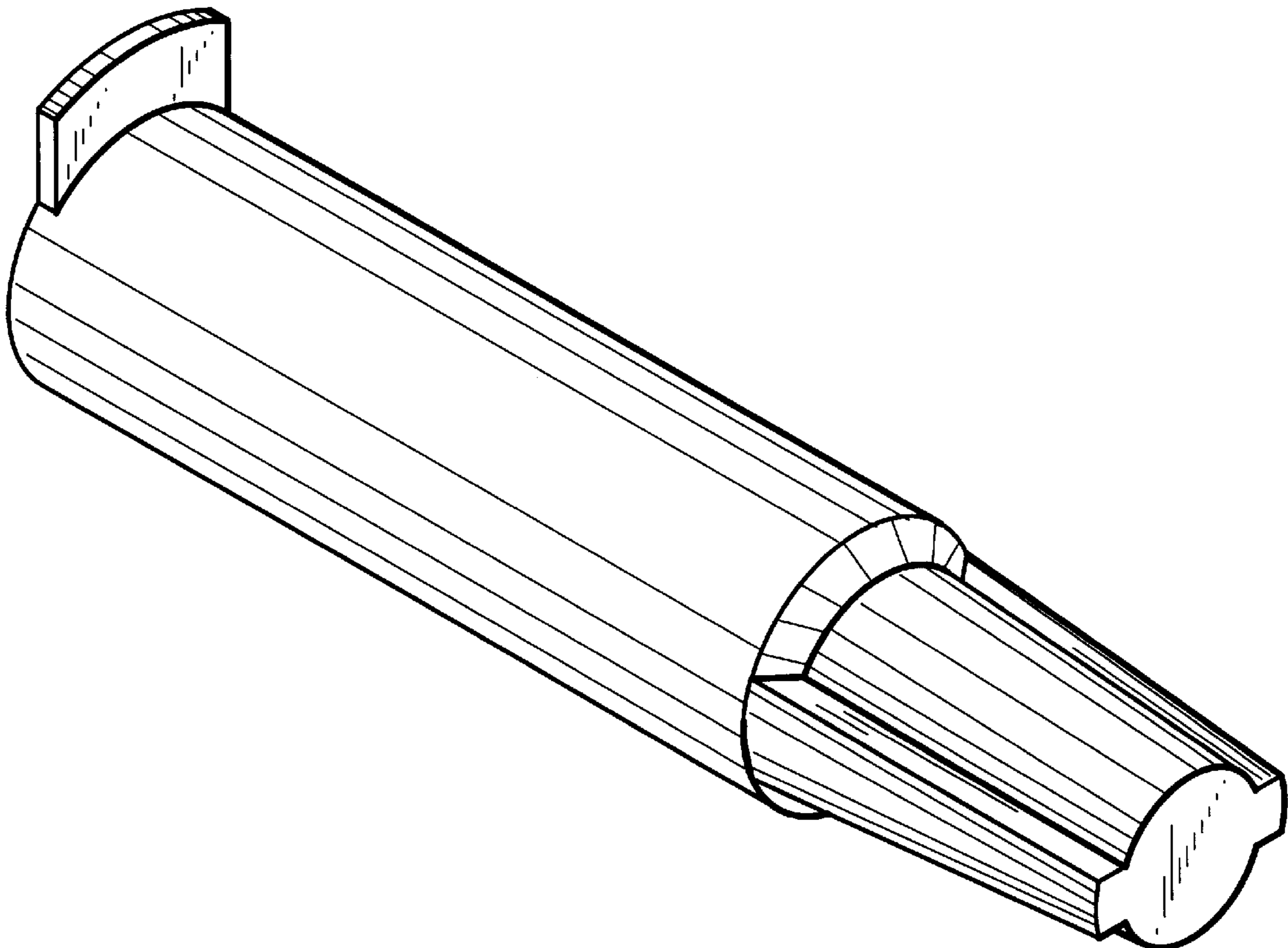
(57) **CLAIM**

The ornamental design for an insulated boot for handling electrical conductors, as shown.

DESCRIPTION

FIG. 1 is an isometric side view of our insulated boot for handling electrical conductors;
FIG. 2 is a front elevational view thereof;
FIG. 3 is a top plan view thereof;
FIG. 4 is a bottom view thereof;
FIG. 5 is a rear elevational view thereof;
FIG. 6 is a right side elevational view thereof; and,
FIG. 7 is a left side elevational view thereof.

1 Claim, 4 Drawing Sheets



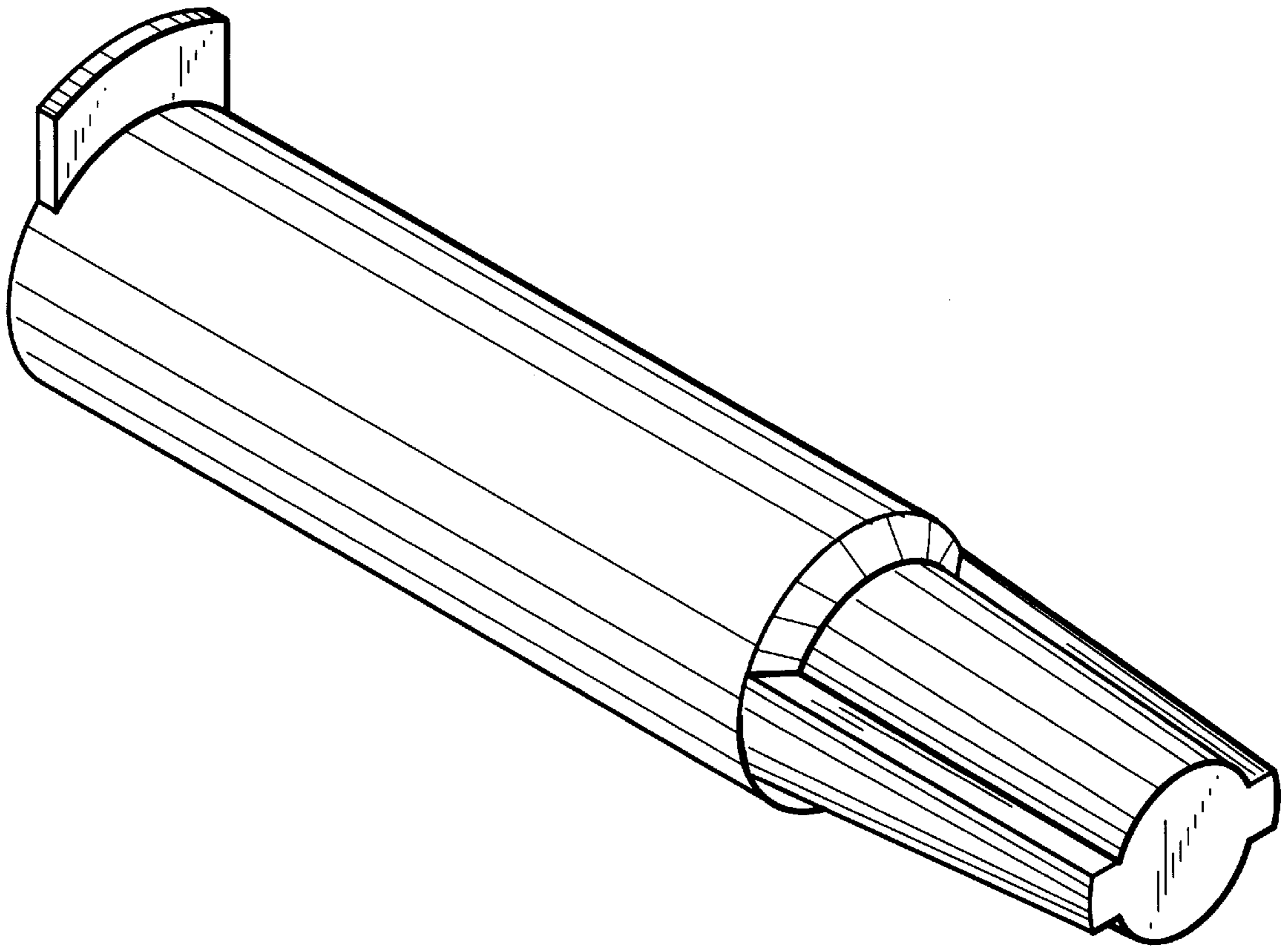


Fig. 1

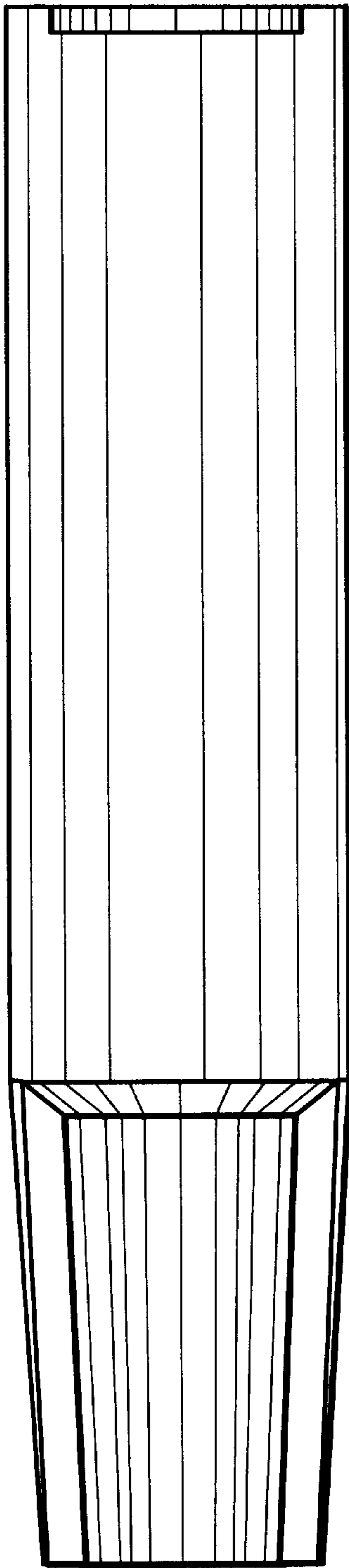


Fig. 2

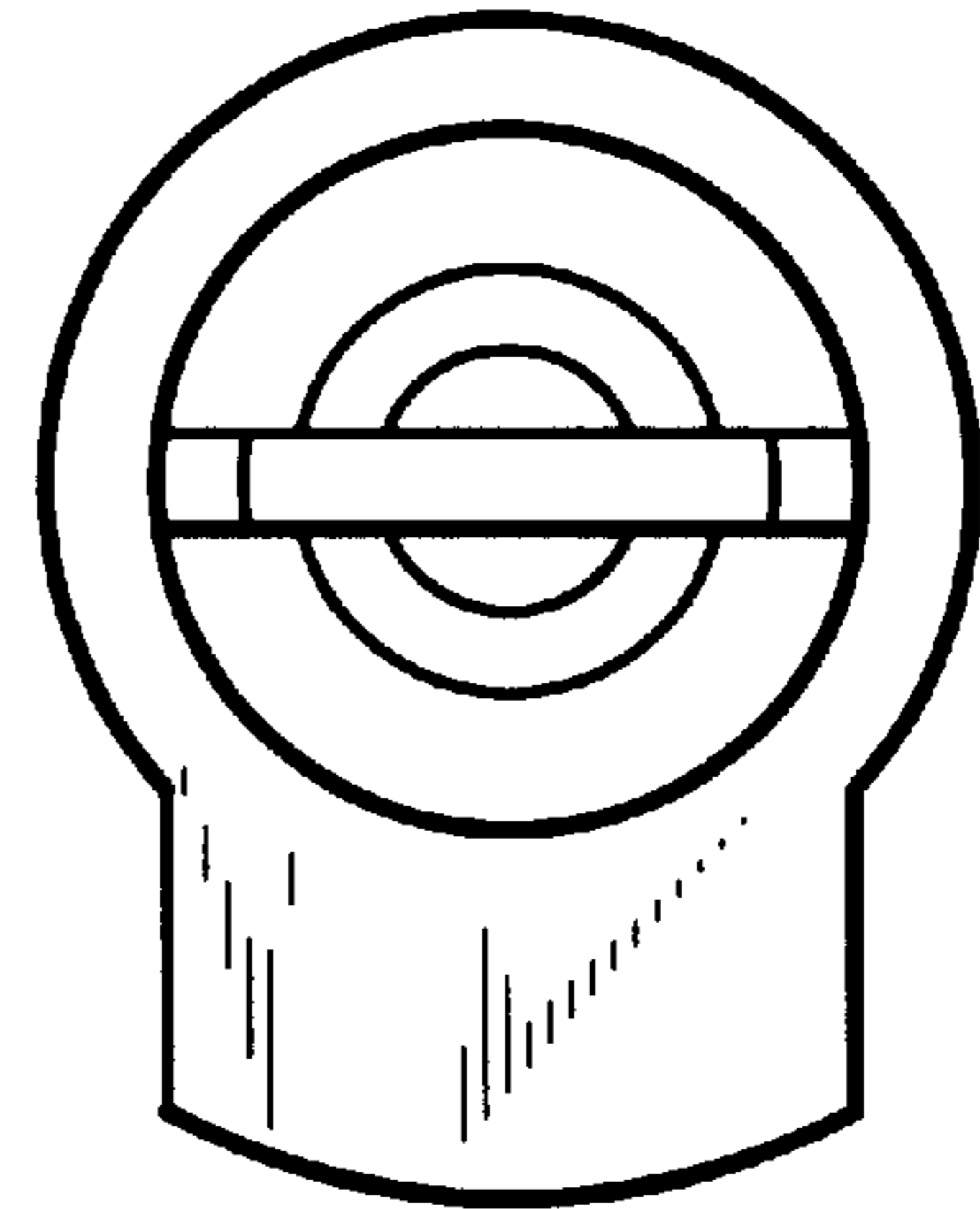


Fig. 3

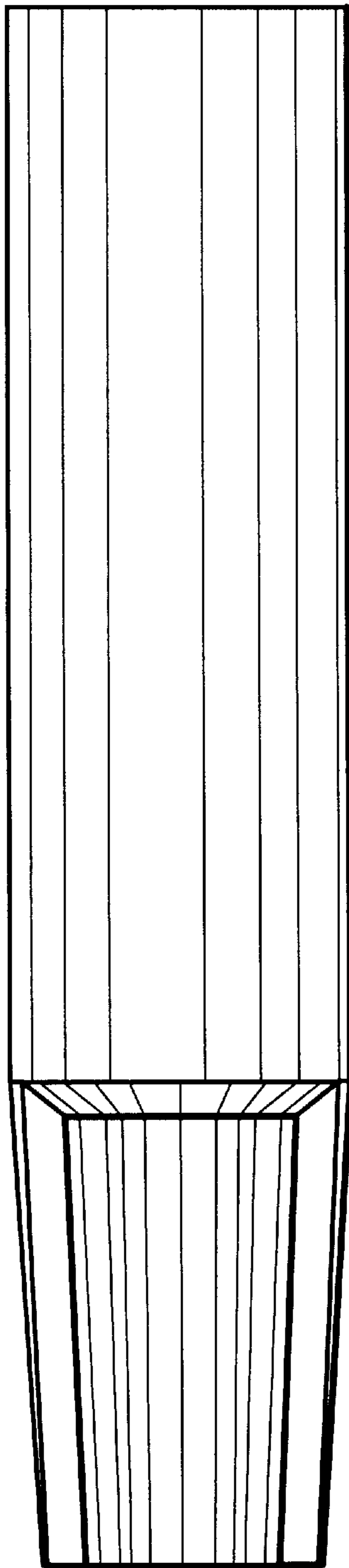


Fig. 5

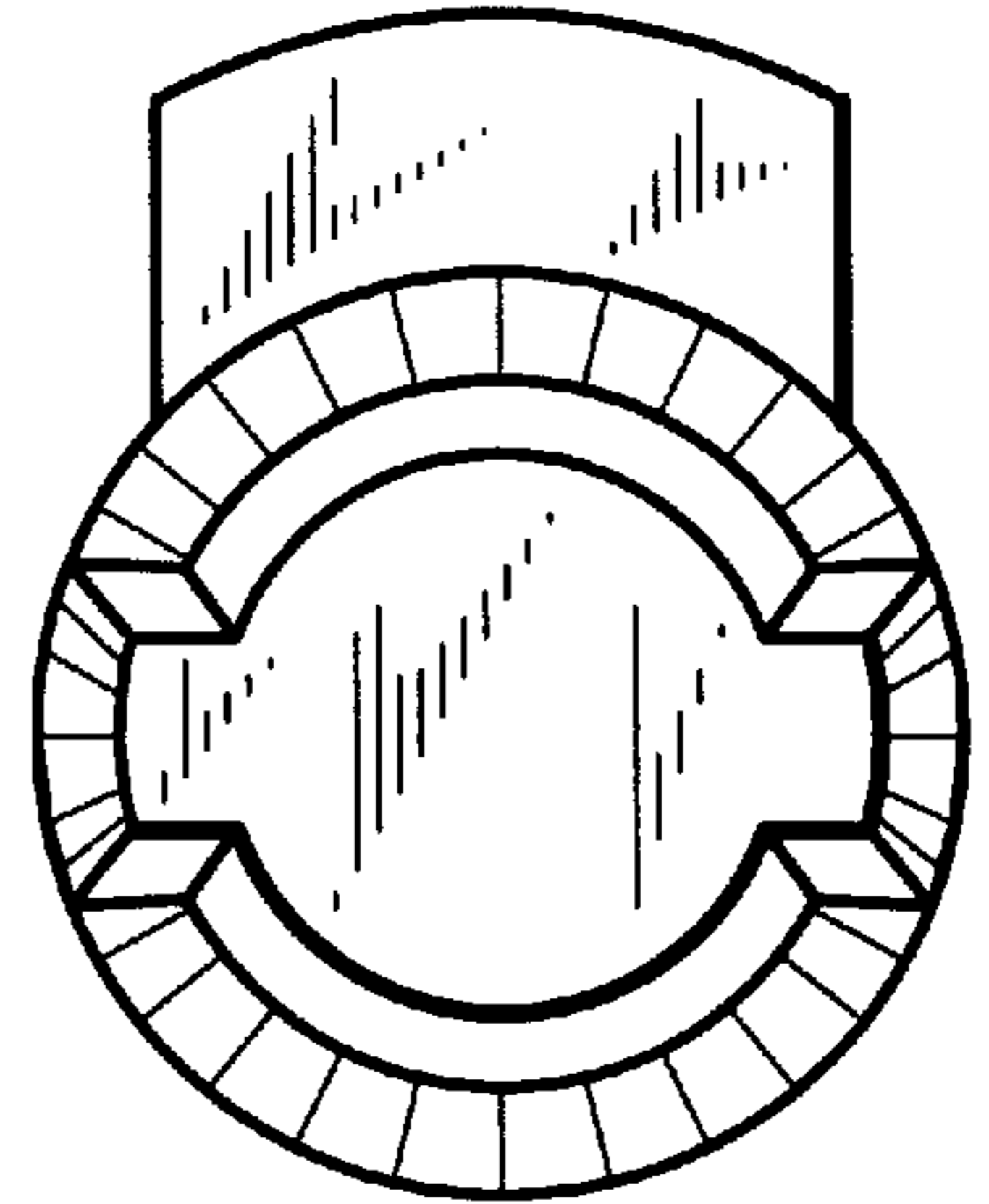


Fig. 4

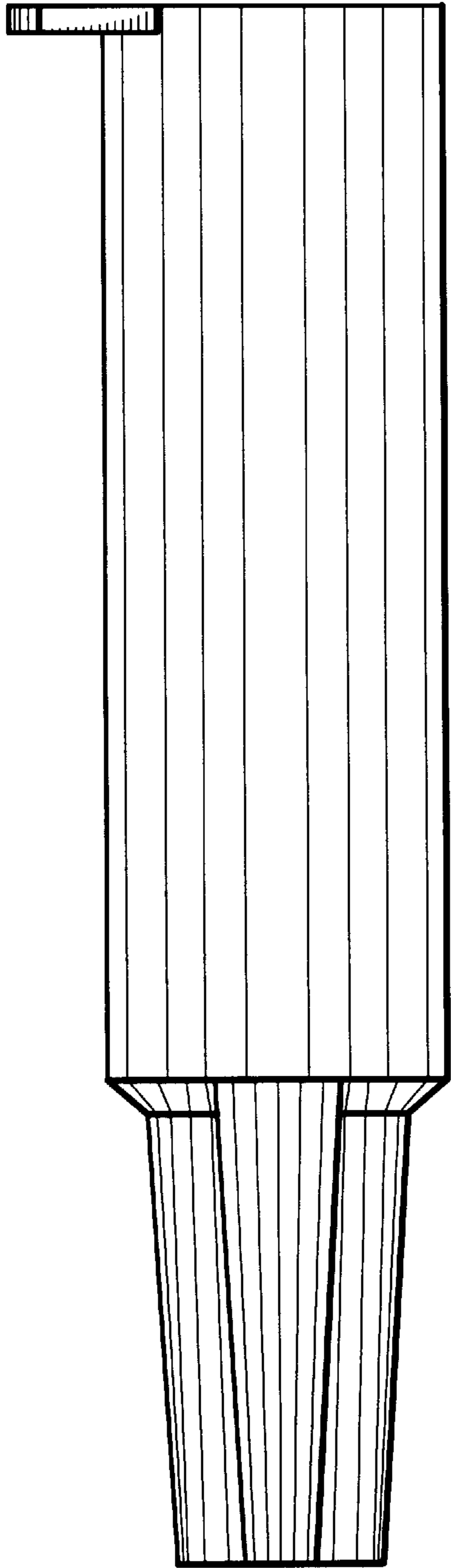


Fig. 7

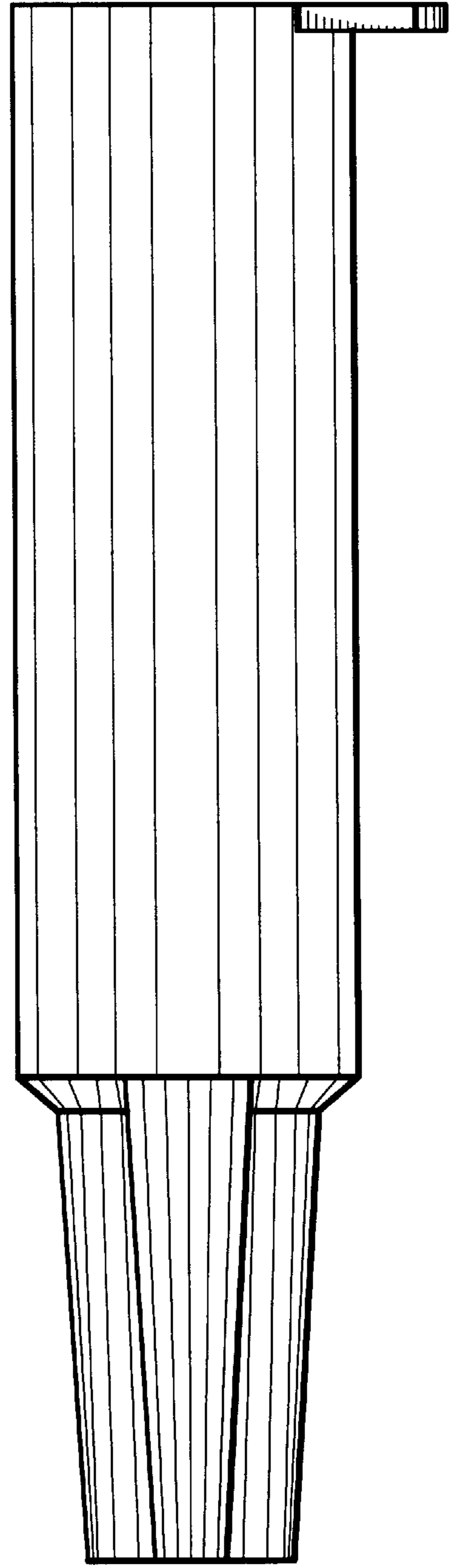


Fig. 6