



US00D457498S

(12) **United States Design Patent**
Birnbaum

(10) **Patent No.:** **US D457,498 S**

(45) **Date of Patent:** **** May 21, 2002**

(54) **RACEWAY FOR SIGNAGE WIRING**

6,216,746 B1 * 4/2001 Guebre-Tsadik et al. .. 174/68.3

(75) Inventor: **Bruce D. Birnbaum**, Leawood, KS
(US)

* cited by examiner

(73) Assignee: **Excellart Sign Products, Inc.**, Olathe,
KS (US)

Primary Examiner—Jennifer Rivard
(74) *Attorney, Agent, or Firm*—Shughart Thomson &
Kilroy P.C.; Mark E. Brown

(**) Term: **14 Years**

(57) **CLAIM**

(21) Appl. No.: **29/128,177**

The ornamental design for a raceway for signage wiring, as shown and described.

(22) Filed: **Jun. 1, 2000**

DESCRIPTION

(51) **LOC (7) Cl.** **13-03**

(52) **U.S. Cl.** **D13/155; D25/125**

(58) **Field of Search** D13/155; D25/125,
D25/124, 122; 174/68.1, 68.2, 68.3, 48

FIG. 1 is an upper, front, perspective view of a raceway for signage wiring embodying my new design, shown with a cover panel thereof in an open position.

FIG. 2 is a left side elevational view thereof, the right side being a mirror image thereof.

FIG. 3 is a front elevational view thereof.

FIG. 4 is a rear elevational view thereof.

FIG. 5 is a top plan view thereof; and,

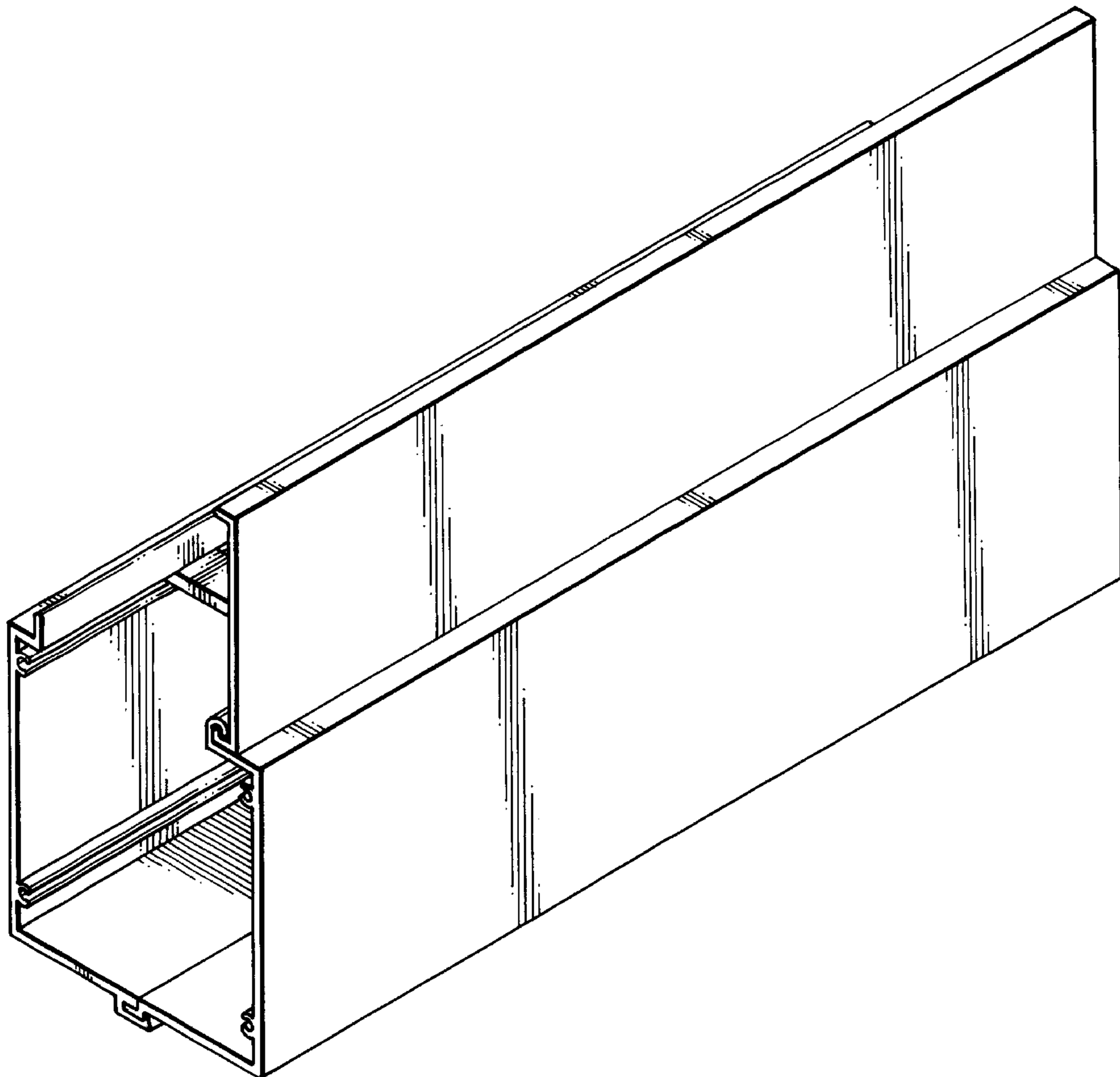
FIG. 6 is a bottom plan view thereof.

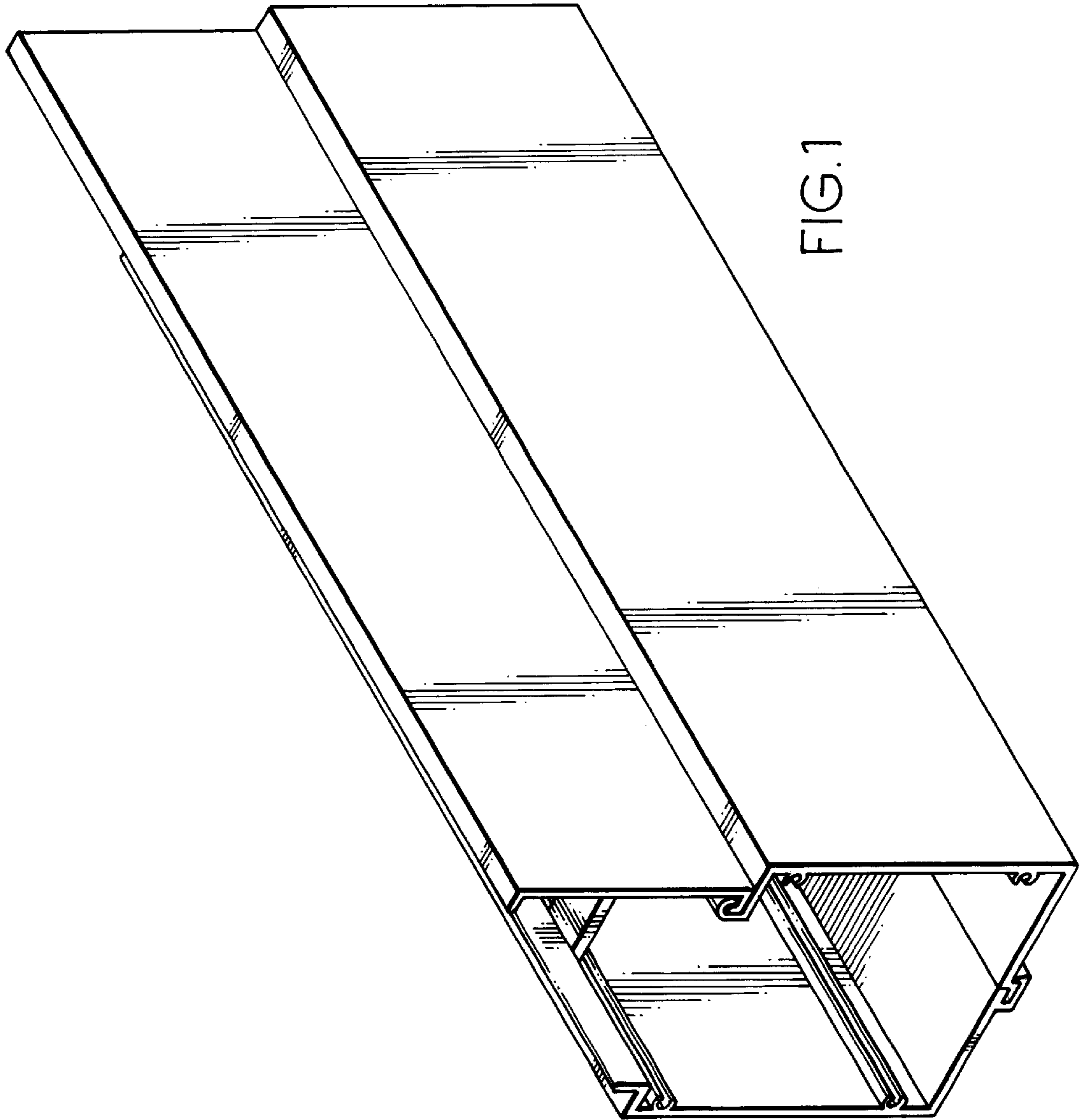
(56) **References Cited**

U.S. PATENT DOCUMENTS

D293,098 S	*	12/1987	Layton	D13/155
5,728,976 A	*	3/1998	Santucci et al.	174/68.3
6,107,576 A	*	8/2000	Morton et al.	174/68.3

1 Claim, 4 Drawing Sheets





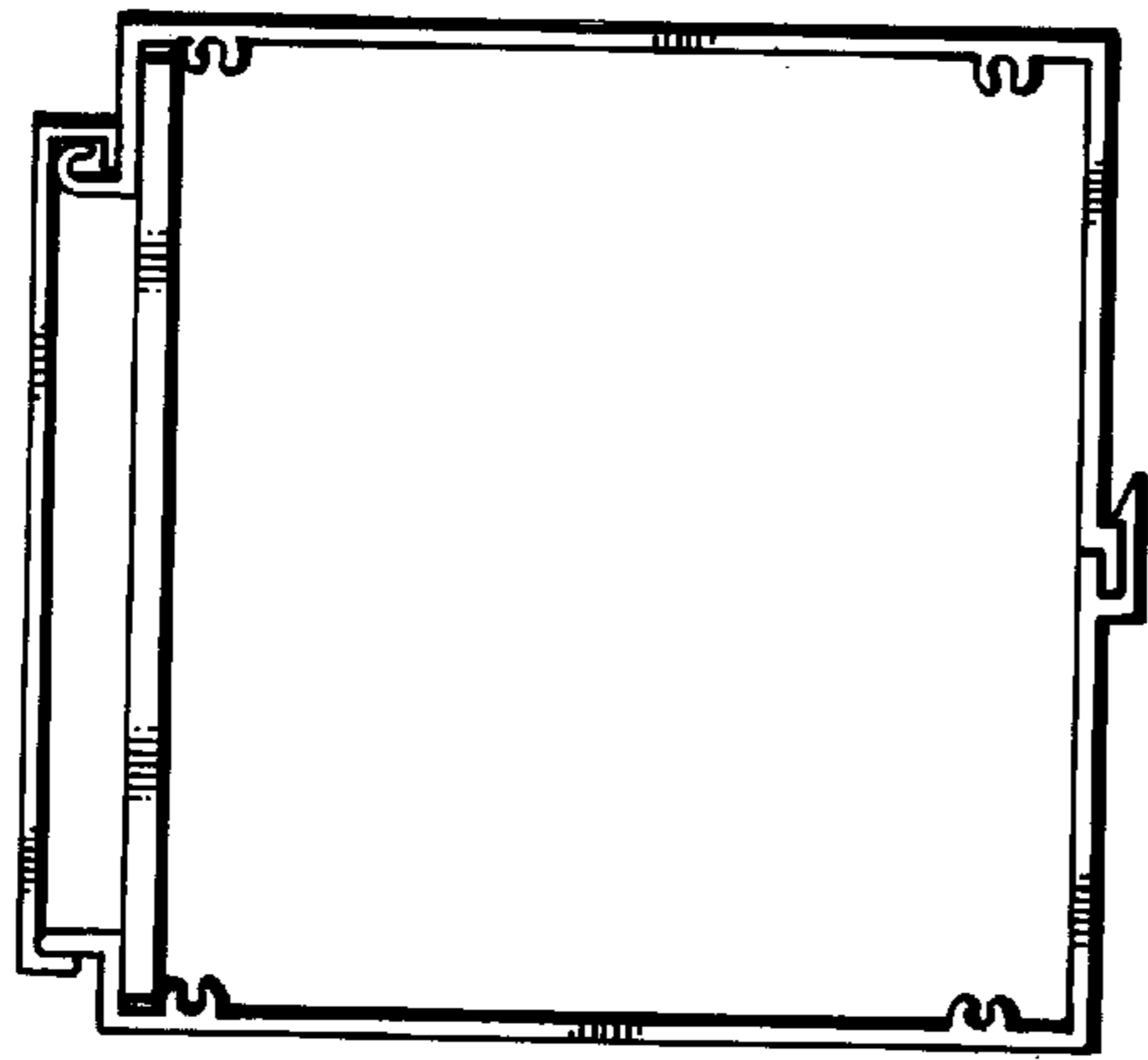


FIG. 2.

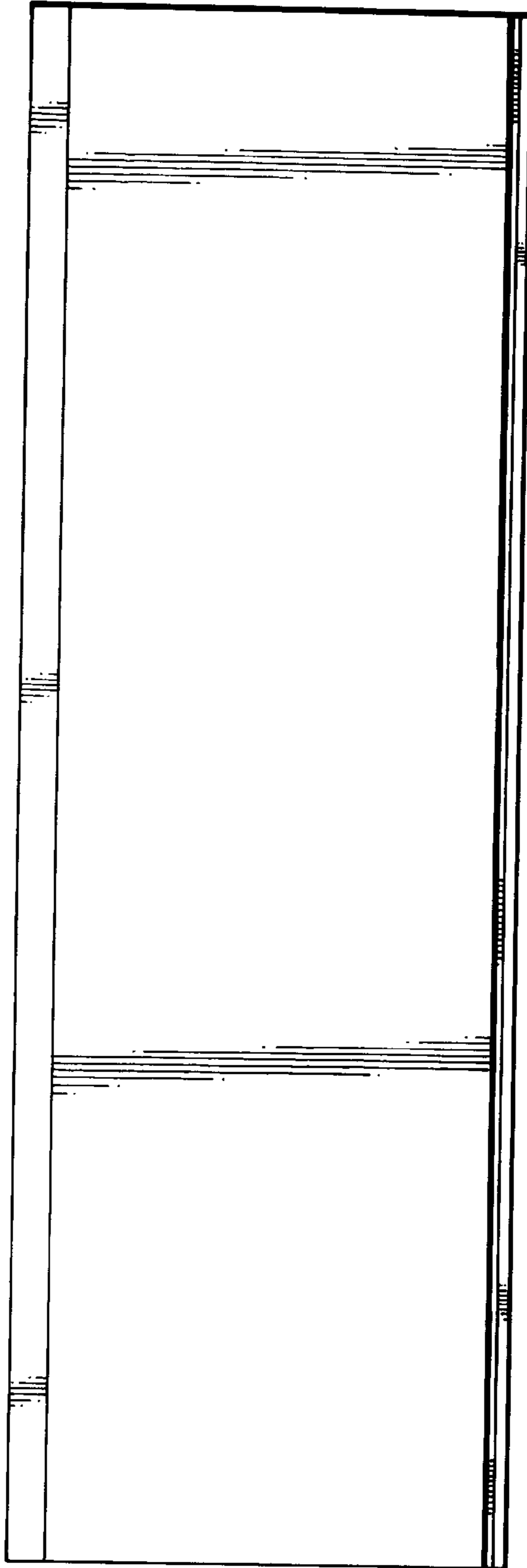


FIG. 3.

FIG. 4.

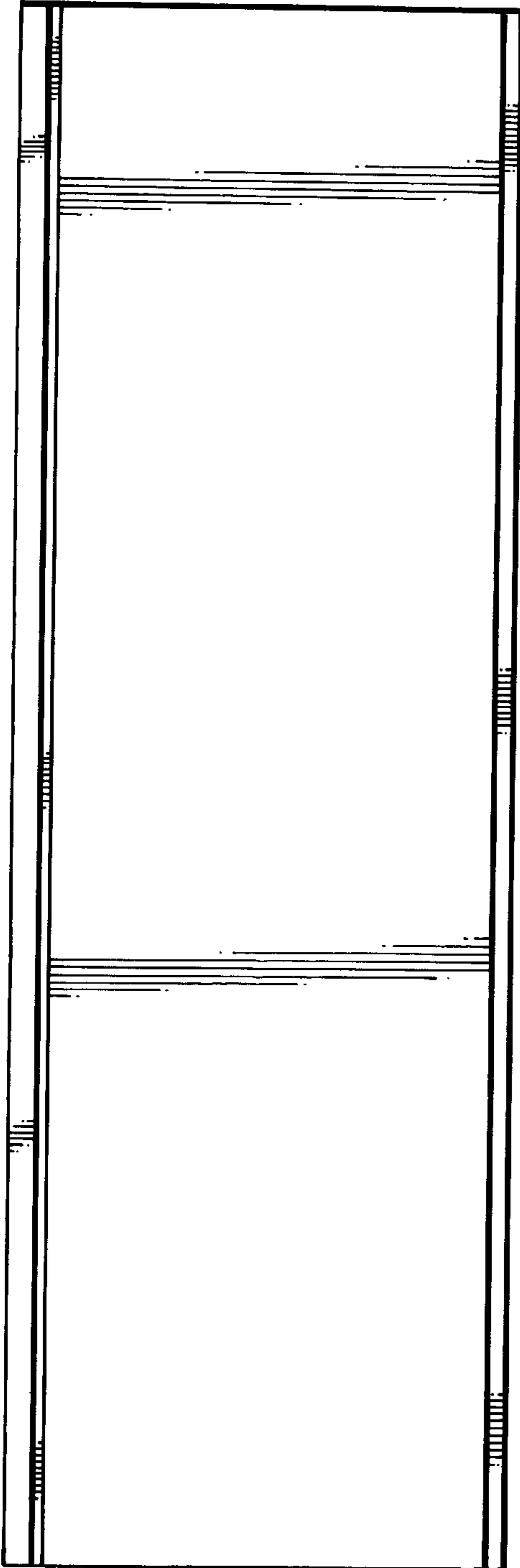


FIG. 5.

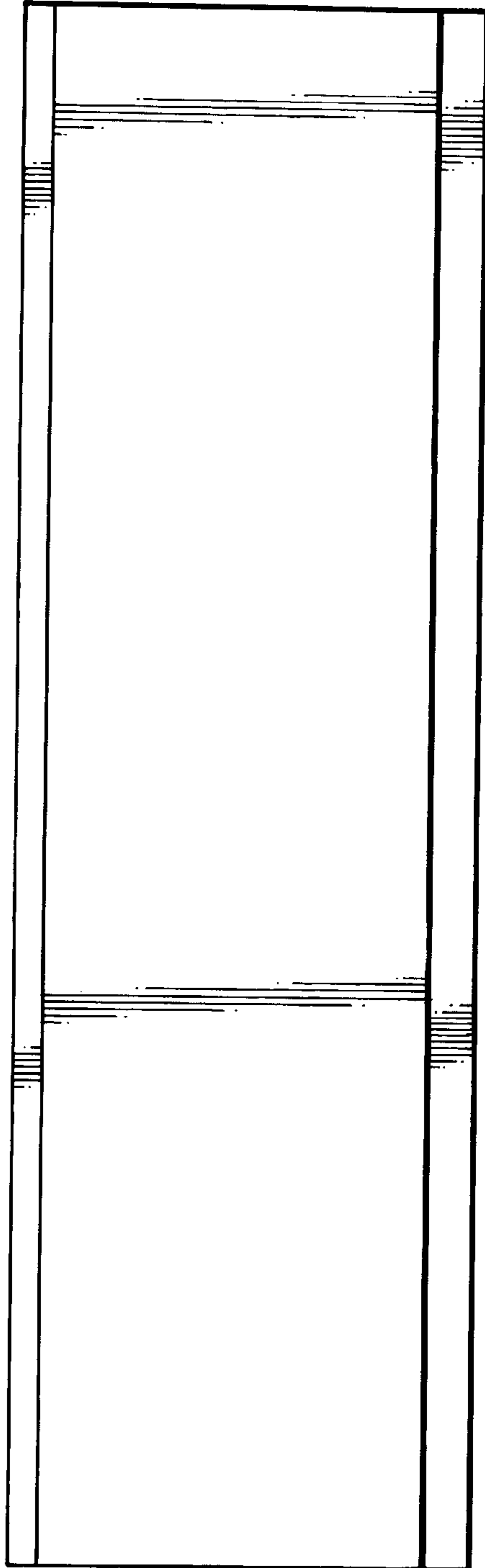


FIG. 6.

