



US00D457497S

(12) **United States Design Patent**
Bentz et al.

(10) **Patent No.: US D457,497 S**

(45) **Date of Patent: ** *May 21, 2002**

(54) **COVER FOR AN ADAPTER HOUSING**

D433,385 S 11/2000 De brey et al.

(75) Inventors: **Craig A. Bentz**, Bloomington; **Vern Loch**, Prior Lake; **Joseph Coffey**, Burnsville, all of MN (US)

(73) Assignee: **ADC Telecommunications, Inc.**, Eden Prairie, MN (US)

(*) Notice: This patent is subject to a terminal disclaimer.

(**) Term: **14 Years**

(21) Appl. No.: **29/127,689**

(22) Filed: **Aug. 10, 2000**

(51) **LOC (7) Cl. 13-03**

(52) **U.S. Cl. D13/154**

(58) **Field of Search** 174/65 G, 66, 174/67, 152 G, 153 G, 188, 189, 190, 52, 52.1, 52.6, 54, 55, 65 R; 16/2.2; D13/154, 156; 361/117; 439/517, 105, 135, 147-149

(56) **References Cited**

U.S. PATENT DOCUMENTS

3,424,857	A	*	1/1969	Miller et al.	174/153 G
5,129,841	A	*	7/1992	Allina et al.	439/517
5,571,031	A	*	11/1996	Robinson et al.	439/517
5,572,396	A	*	11/1996	Robinson	361/117
D402,632	S	*	12/1998	Richards et al.	D13/154

OTHER PUBLICATIONS

Bentz, C. et al., "Adapter Housing", U.S. patent application No. 29/127,709, 3 pgs., (Filed August 10, 2000 in the U.S. Patent and Trademark Office).

* cited by examiner

Primary Examiner—Jennifer Rivard

(74) *Attorney, Agent, or Firm*—Merchant & Gould P.C.

(57) **CLAIM**

The ornamental design for a cover for an adapter housing, as shown and described.

DESCRIPTION

FIG. 1 is a perspective view of a cover of an adapter housing shown in our new design;

FIG. 2 is a front elevational view of the cover shown in FIG. 1;

FIG. 3 is a back elevational view of the cover shown in FIG. 1;

FIG. 4 is a right elevational side view of the cover shown in FIG. 1;

FIG. 5 is a left elevational side view of the cover shown in FIG. 1;

FIG. 6 is a top plan view of the cover shown in FIG. 1; and, FIG. 7 is a bottom plan view of the cover shown in FIG. 1.

1 Claim, 2 Drawing Sheets

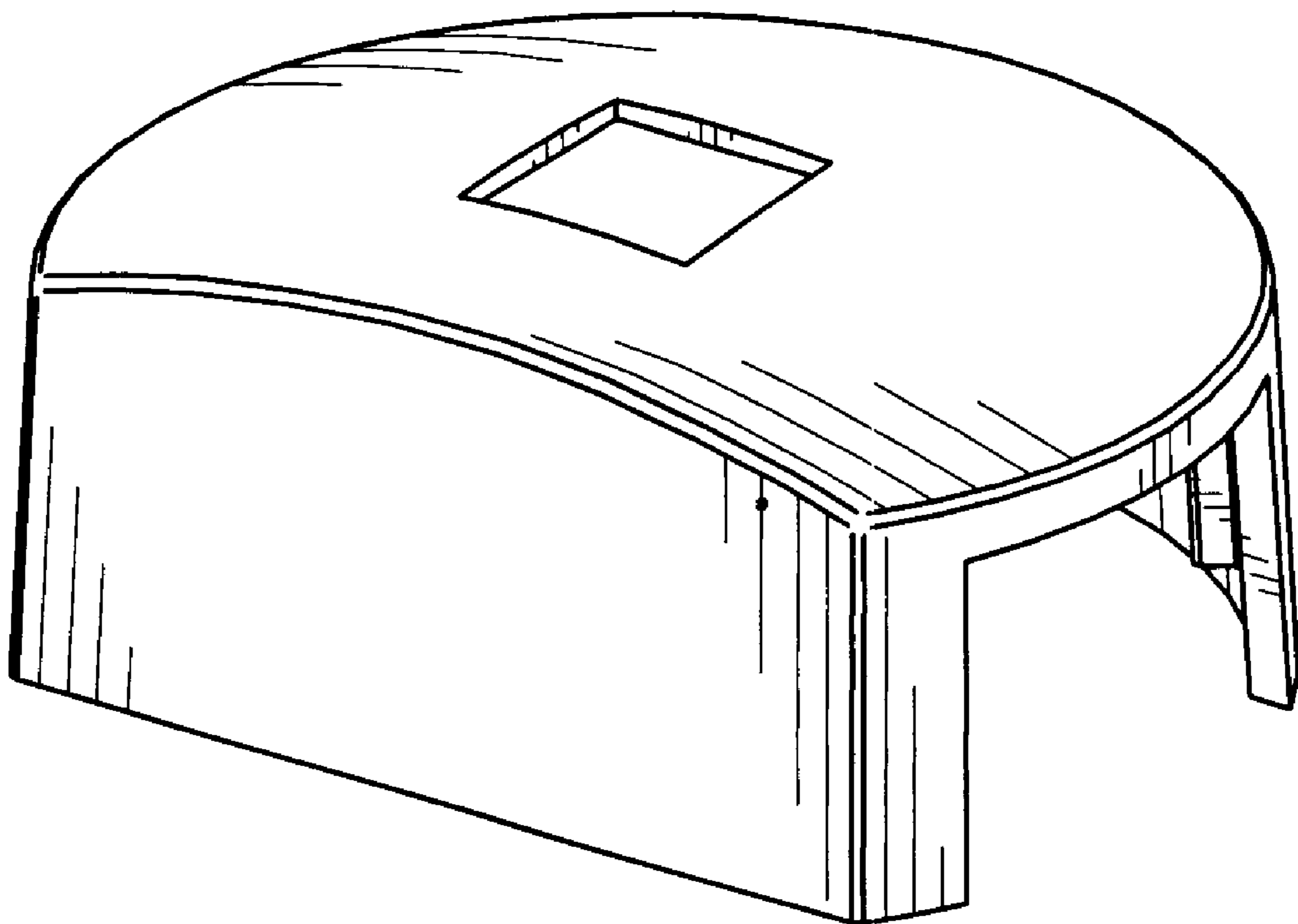


FIG. 1

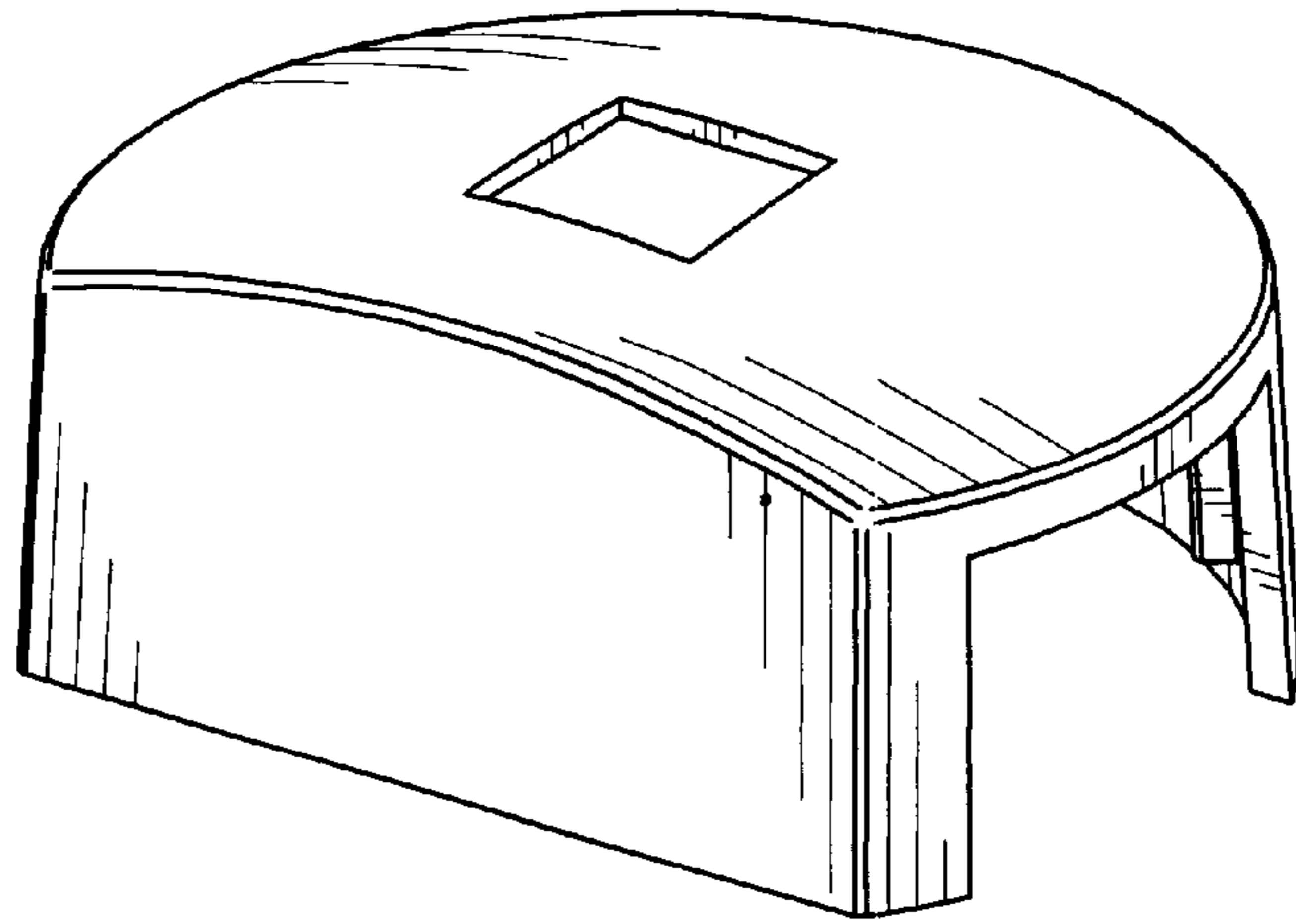


FIG. 2

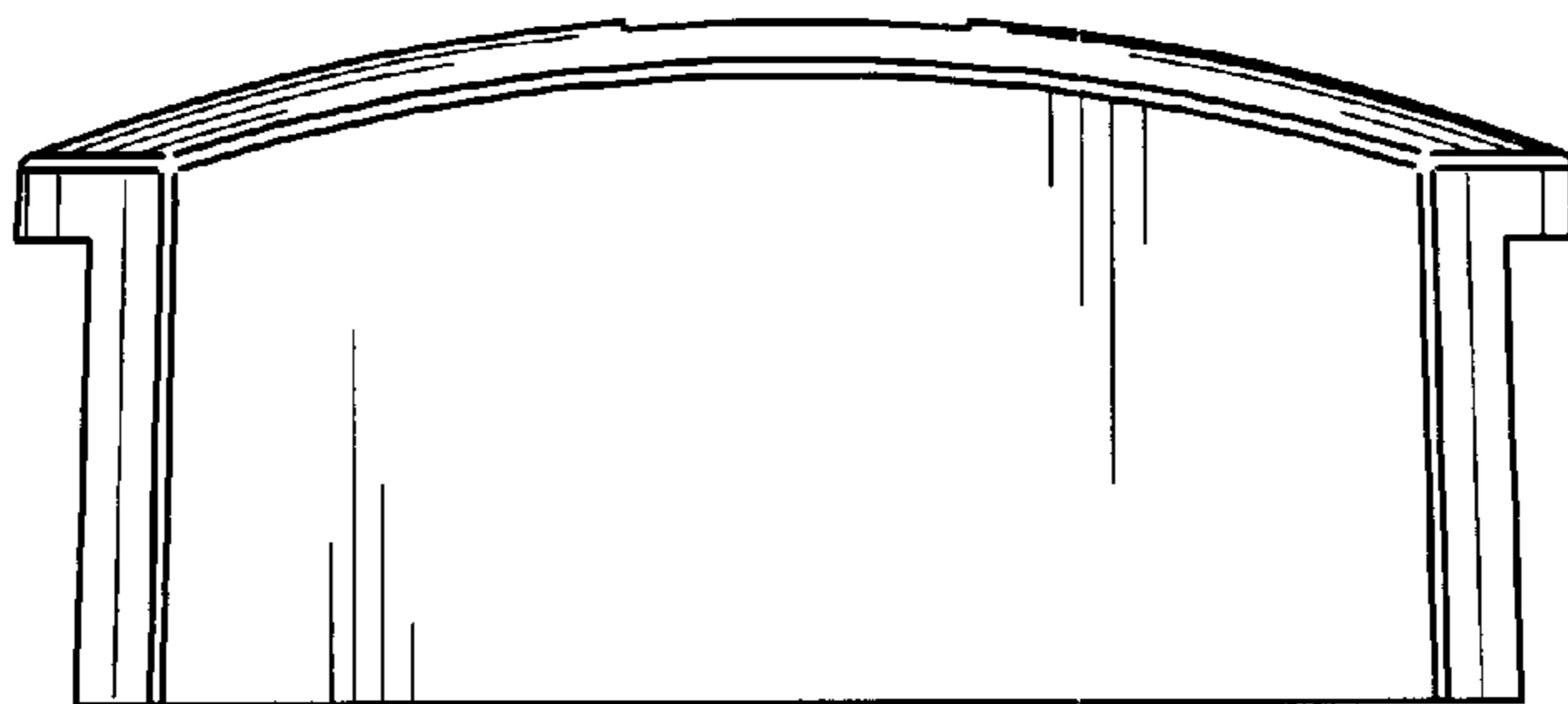


FIG. 3

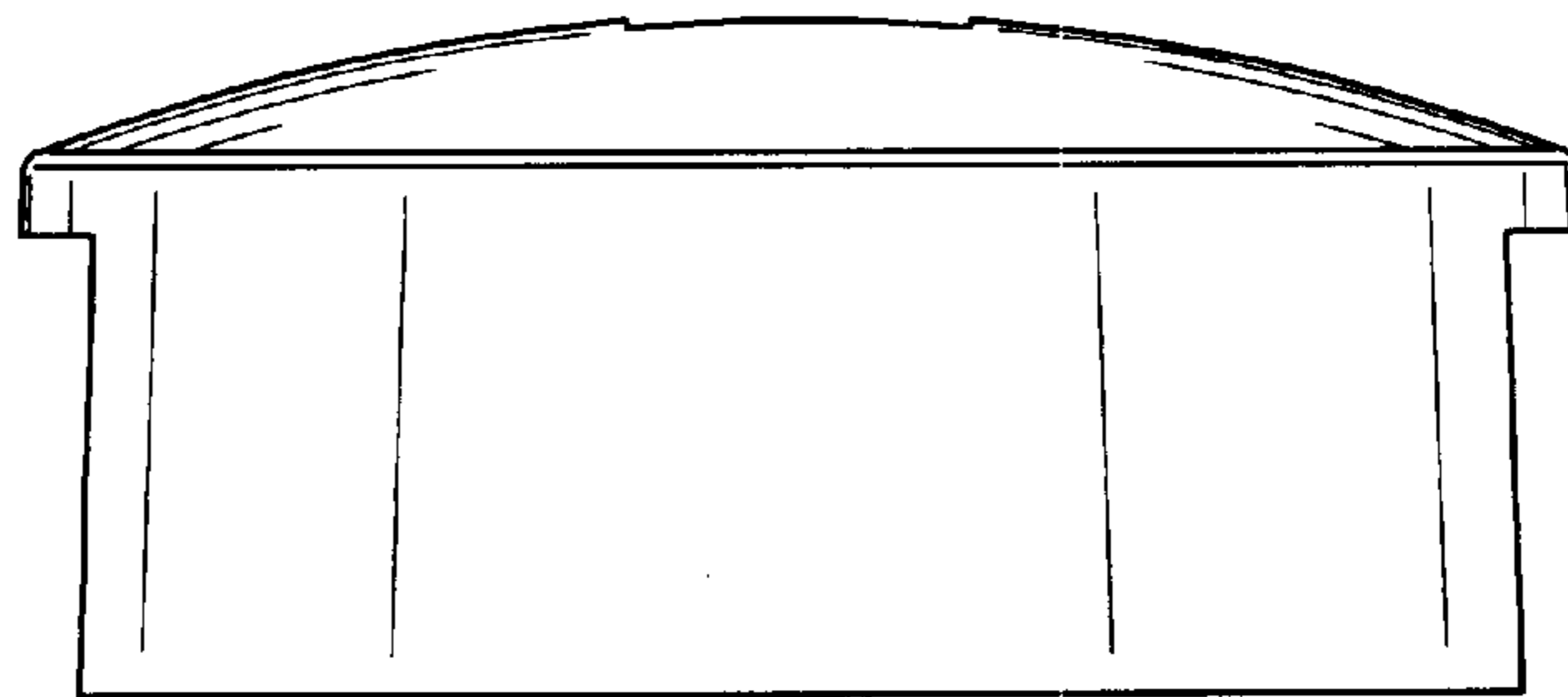


FIG. 4

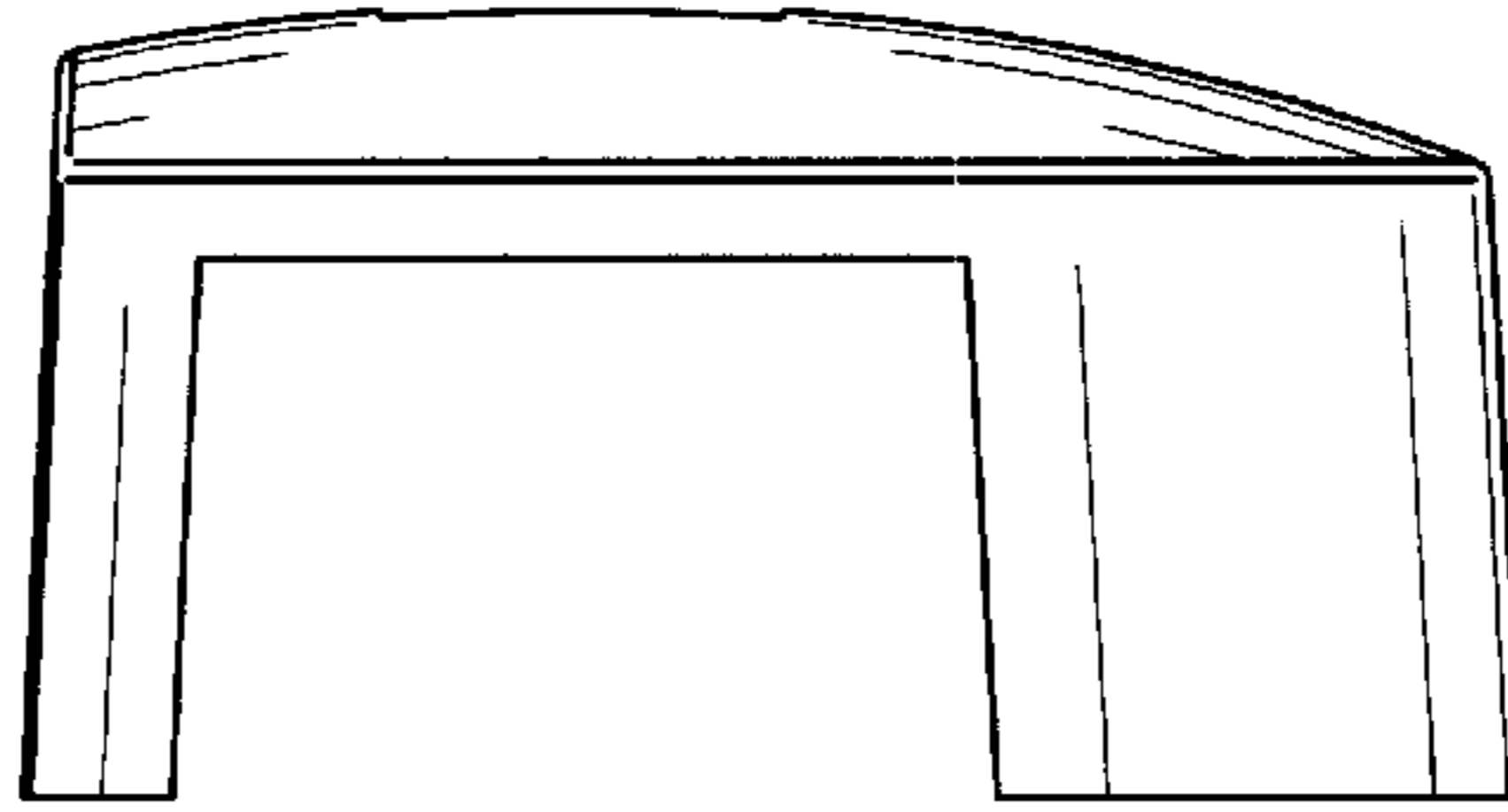


FIG. 5

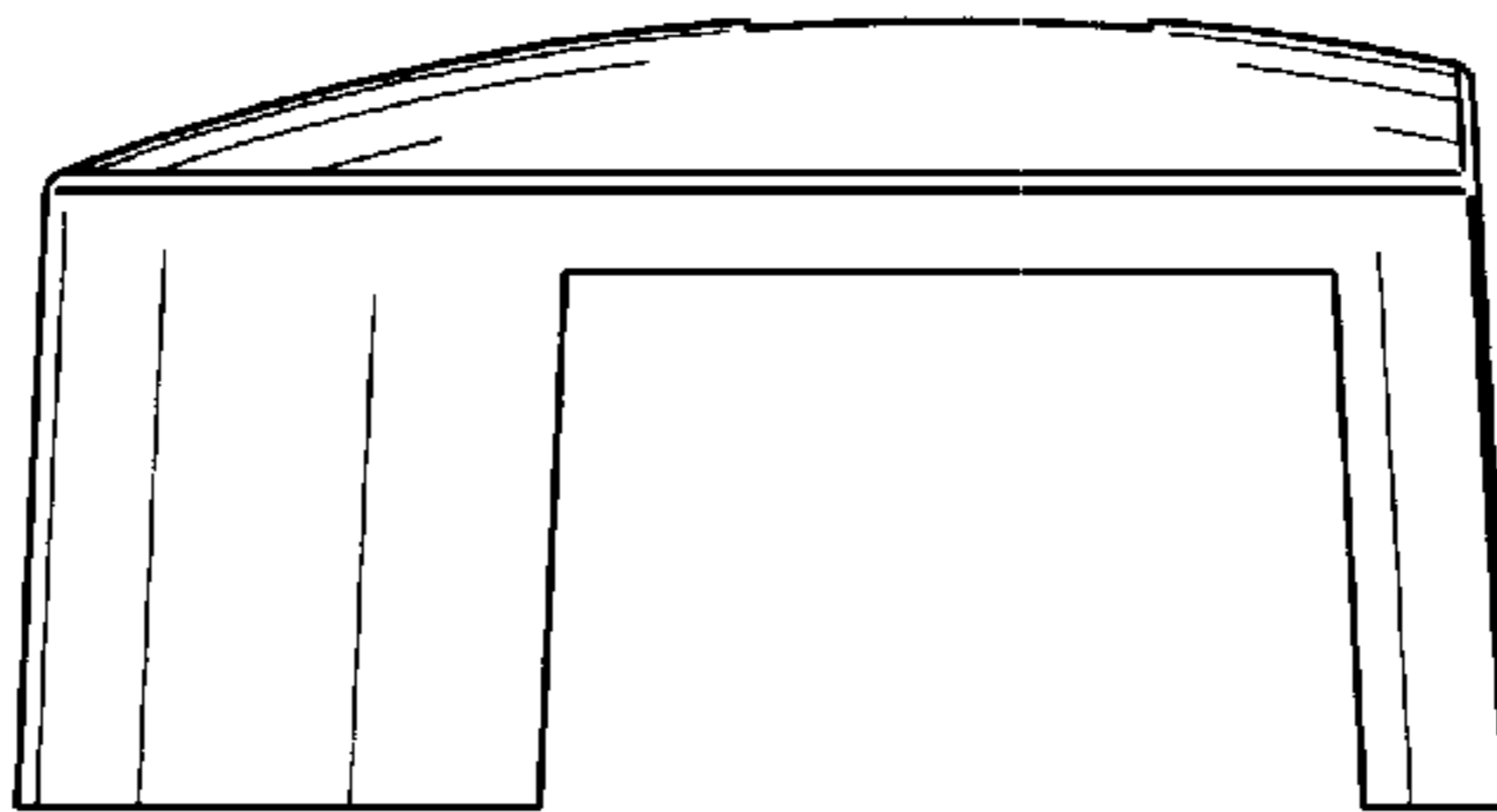


FIG. 6

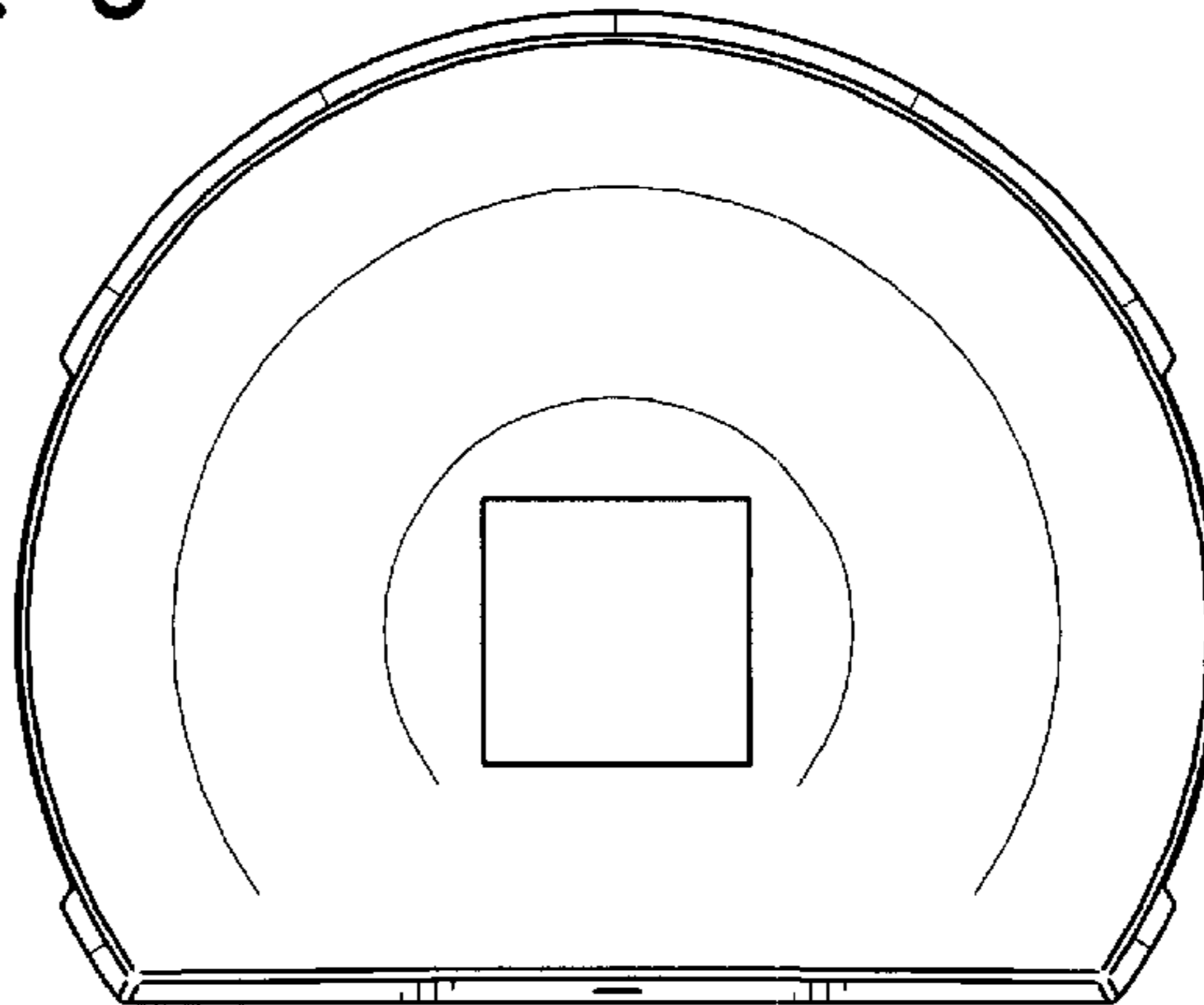


FIG. 7

